



Silicon Bronze Light (Finish ID:53)

## THE DOME SURFACE MOUNT DOOR KNOB

	Item Code	Size (mm & Inches)	Material	Size (Inches)				Fig.
				A	B	C	D	
1	SDKNB.881.3.75".XX.XXX.XXXX.X	95.25mm (3.75")	Brass	2.2	3.75	N/A	N/A	1
2	SDKNB.881.3.75".XX.XXX.XXXX.X	95.25mm (3.75")	Bronze	2.2	3.75	N/A	N/A	1

"XX" in item code denotes Finish ID.

"XXX" in item code denotes Door Thickness.

"XXXX" in item code denotes Door Material.

"X" in item code denotes Front Fix or Back Fix.

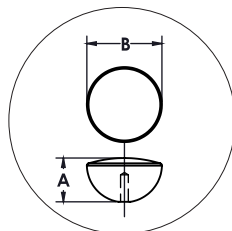


FIG. 1

This product is Supplied with Based on Front Fix or Back Fix Order.

## How to Order

**SDKNB.881.3.75".53.WOOD.1 3/4".BF**



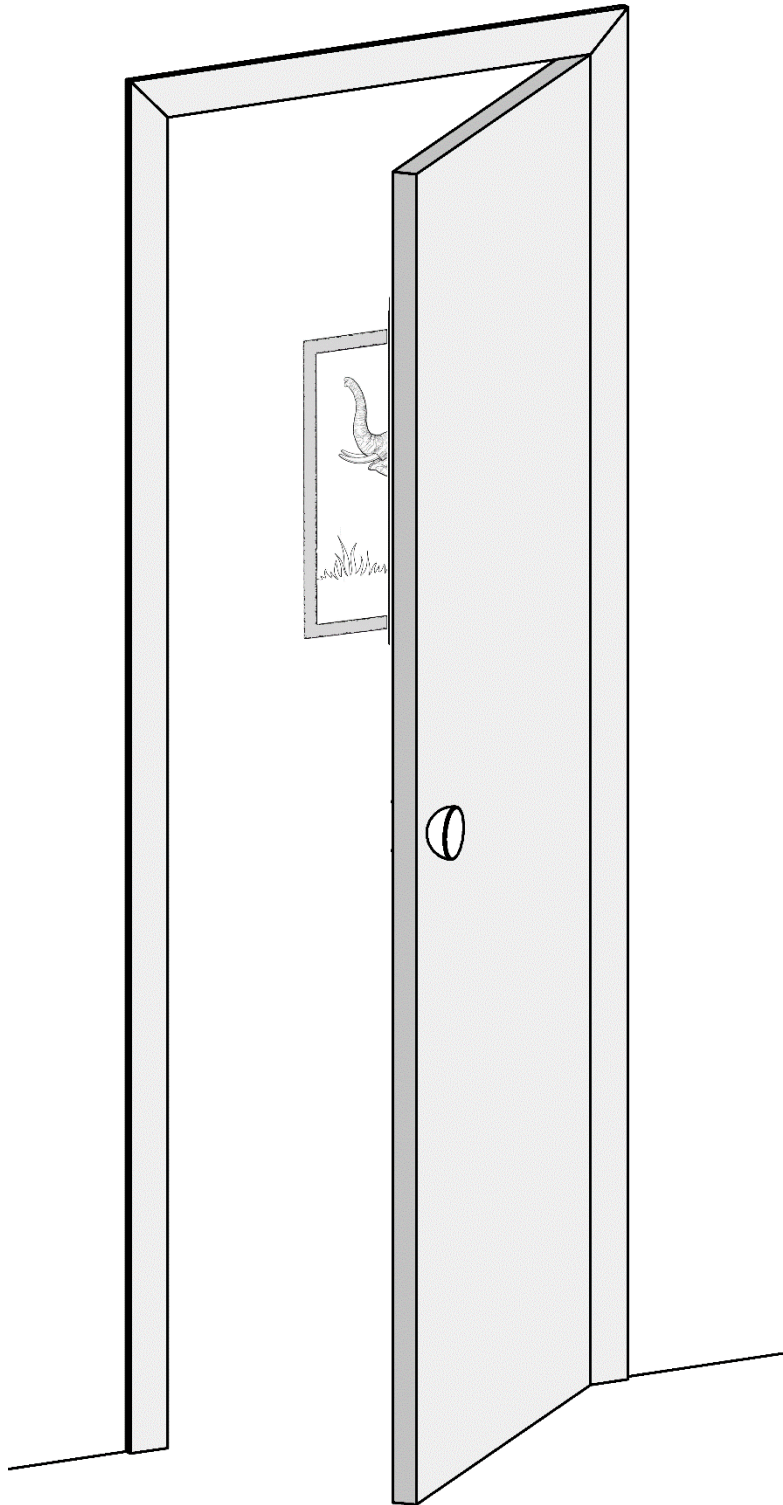
## The Dome Surface Mount Door Knob Finish Options

Base Material : Brass	Standard Finishes (2-3 Weeks Delivery)
	<p>Bright Chrome (Finish ID:2)    Brush Nickel (Finish ID:3)    Aged Brass (Finish ID:4)    Unlacquered Polished Brass (Finish ID:7U)    Polished Nickel (Finish ID:8)    Satin Brass (Finish ID:13)</p>
Base Material : Brass	Custom Finishes (3-4 Weeks Delivery)*
	<p>Lacquered Polished Brass (Finish ID:7L)    Matte Black (Finish ID:19)    Graphite (Finish ID:61)    Titanium (Finish ID:79)    Ombre (Finish ID:92)    Brush Chrome (Finish ID:95)</p>
Base Material : Bronze	Custom Finishes (3-4 Weeks Delivery)*
	<p>Silicon Bronze Light (Finish ID:53)    Silicon Bronze Dark (Finish ID:53D)    White Bronze (Finish ID:54)</p>

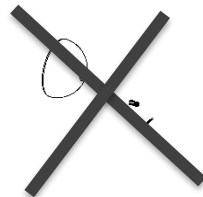
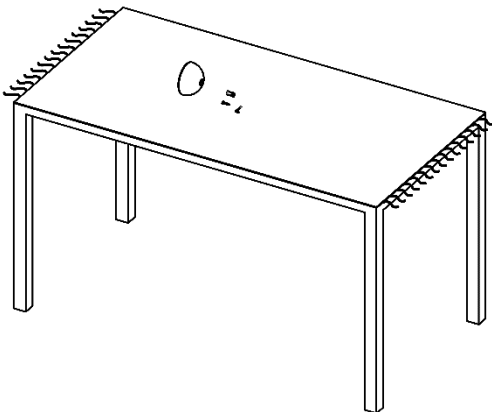
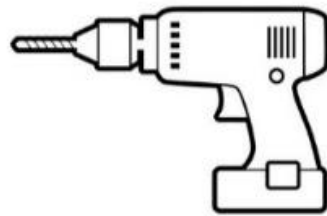
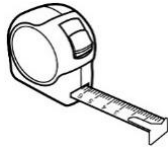
Front Fix (FF)	
Door Material	Door Thickness
1. Wood	1", 1 1/4", 1 1/2", 1 3/4", 2", 2 1/4", 2 1/2"
2. Metal	1", 1 1/4", 1 1/2", 1 3/4", 2", 2 1/4", 2 1/2"
Back Fix (BF)	
Door Material	Door Thickness
1. Wood	5/16", 3/8", 1/2", 3/4", 1", 1 1/4", 1 1/2", 1 3/4", 2", 2 1/4", 2 1/2"
2. Metal	5/16", 3/8", 1/2", 3/4", 1", 1 1/4", 1 1/2", 1 3/4", 2", 2 1/4", 2 1/2"
3. Glass	5/16", 3/8", 1/2", 3/4", 1"

- Custom finishes cannot be returned or refunded. We are unable to accept cancellations for custom finish order unless within 48 hours of the order being placed.
- We have uniform pricing for all non-hammered finishes listed above as long as base material and size is same.
- Contact us for customized finishes, refer pages F1, F2, F3 & F4 for finish glossary.

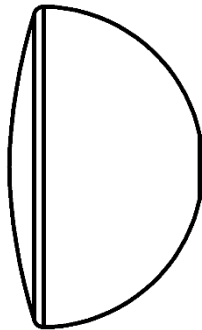
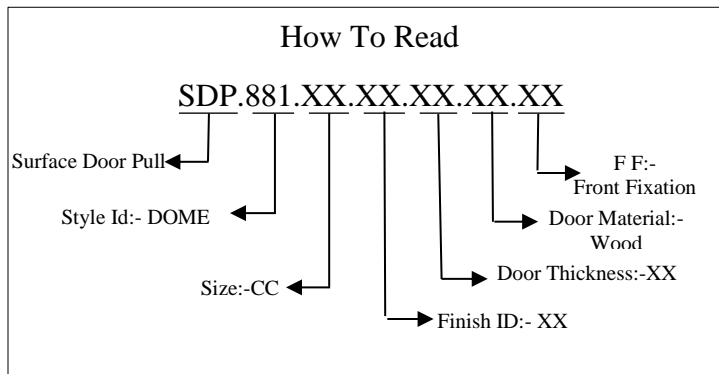
**FRONT FIXING HANDLE ILLUSTRATED**



Required Tools



Step Wise Packing List			
S No	Part Number	Qty	Steps
1	SDP.881.XX.XX.XX.XX	1x	1
2	SDP.FFPIN	1x	
3	WSSCSKPFH.XX	1x	
4	LNKY2.5	1x	1
5	Manual	1x	-



SDP.881.XX.XX.XX.XX.XX



SDP.FFPIN

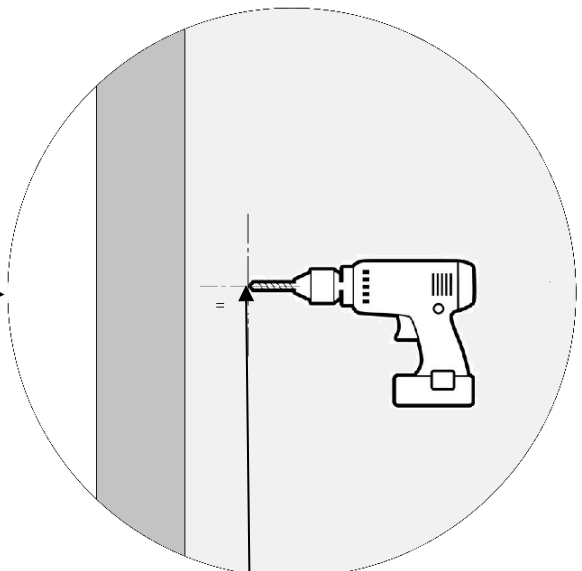
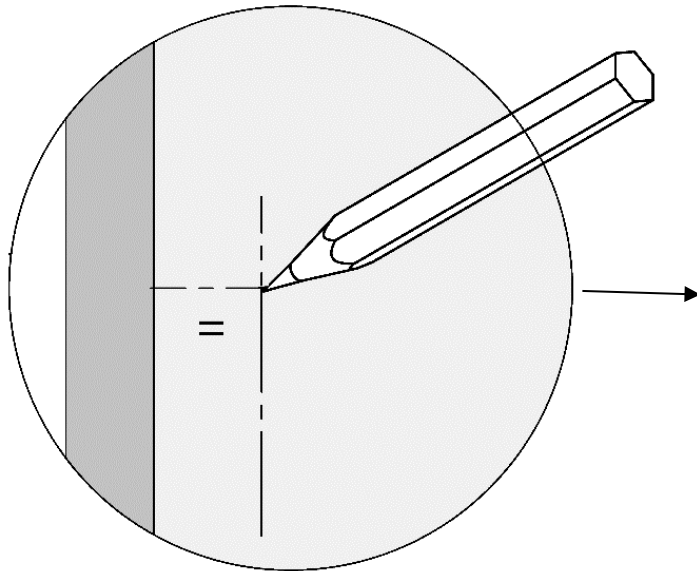
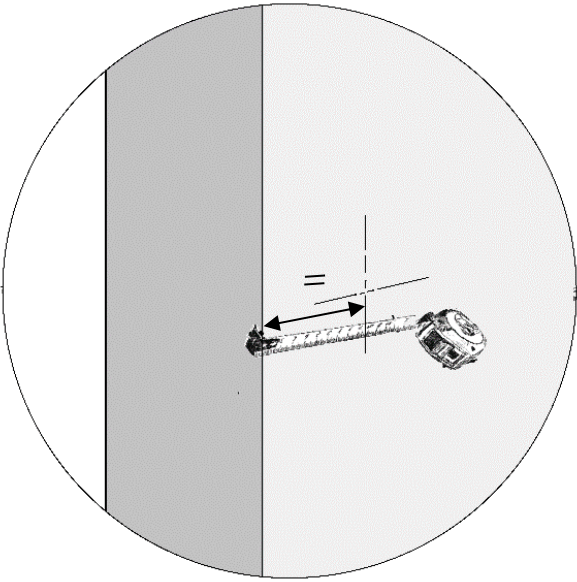


WSSCSKPFH.XX



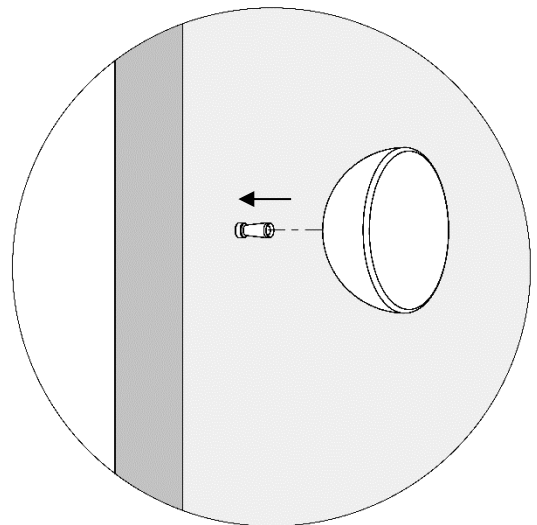
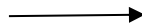
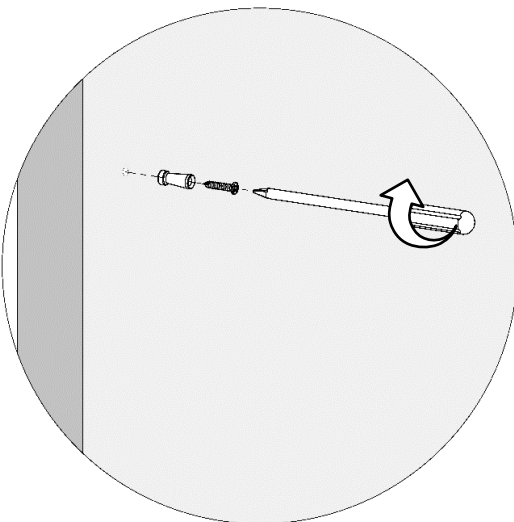
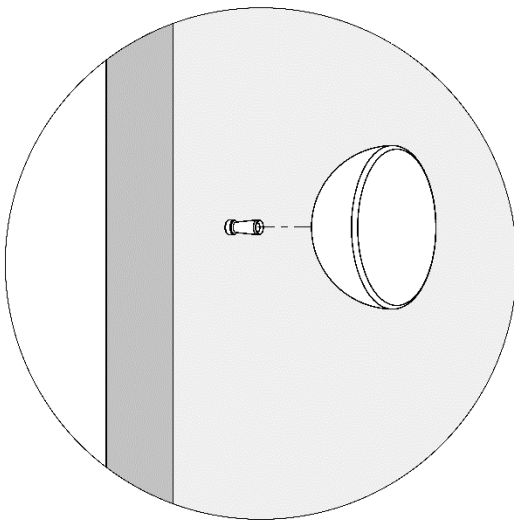
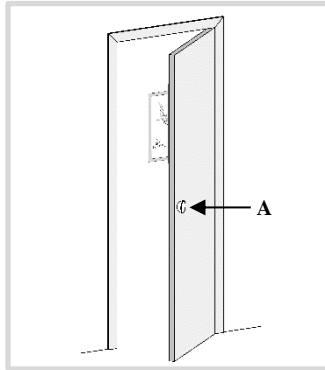
LNKY2.5

STEP-1

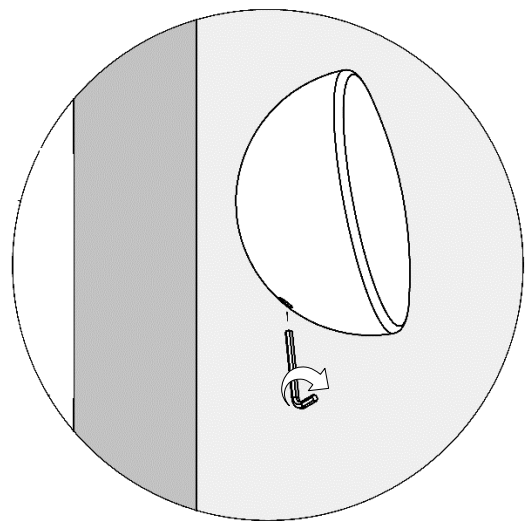
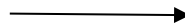
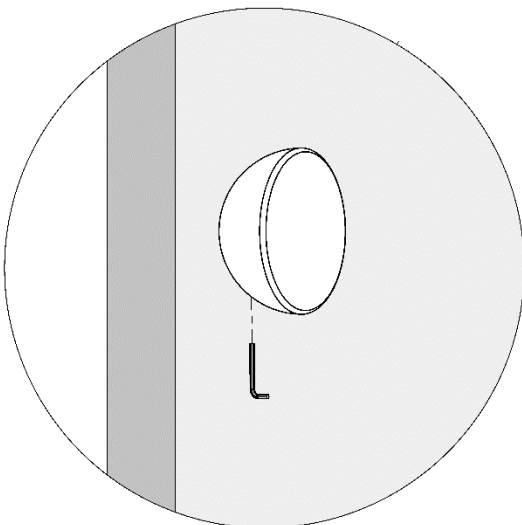
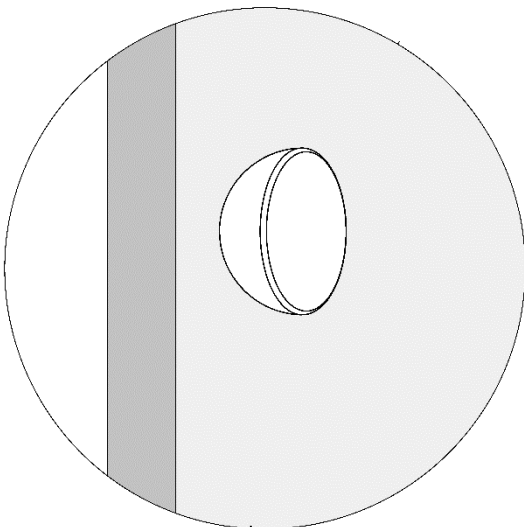
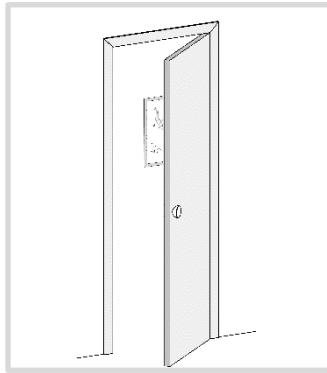


Drill  $\text{\O} 2.5 \text{ mm}$   $\frac{+0.40}{-0.00}$   
 $1/10''$   $\frac{+1/64''}{-0.00}$

STEP-2

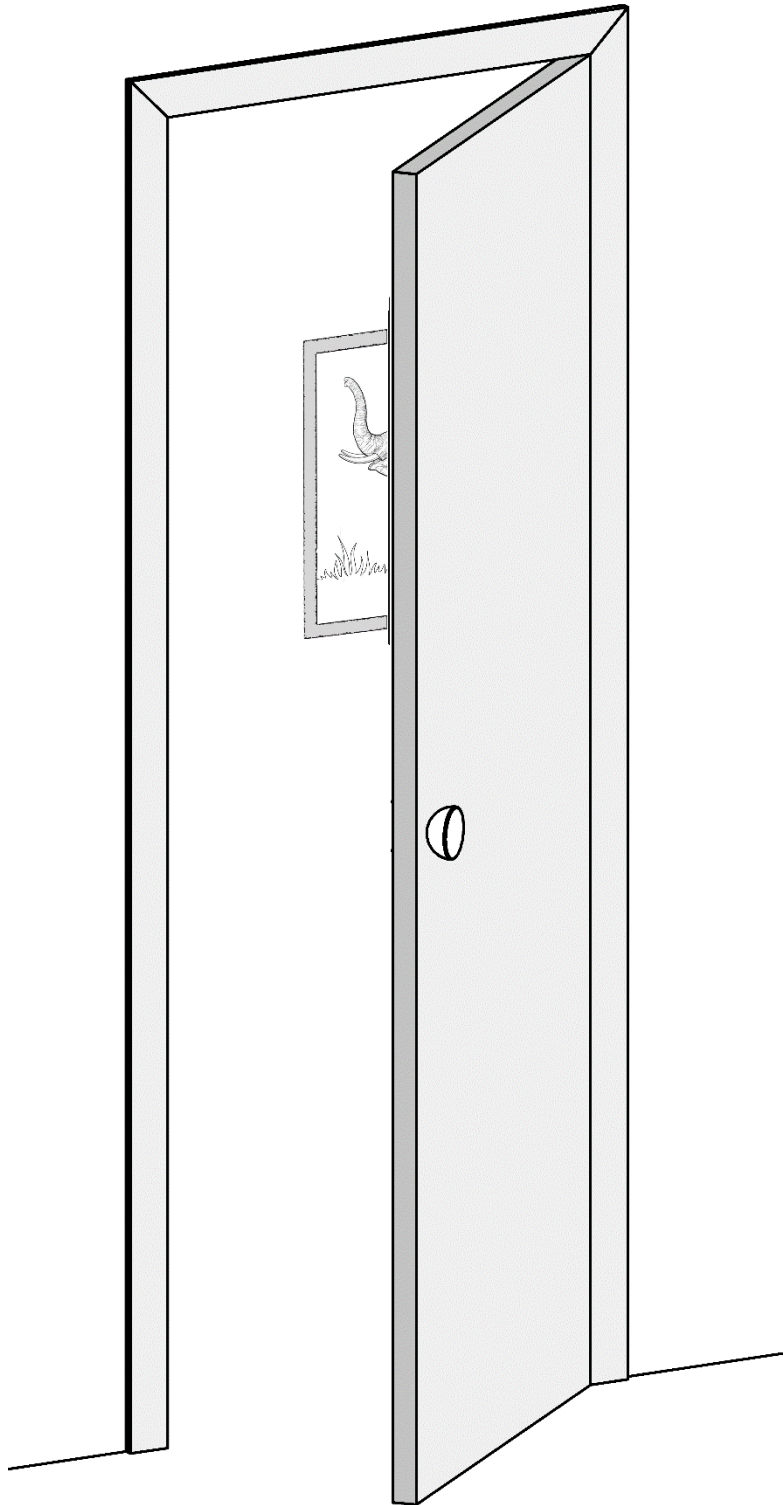


STEP-3

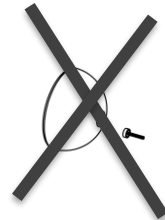
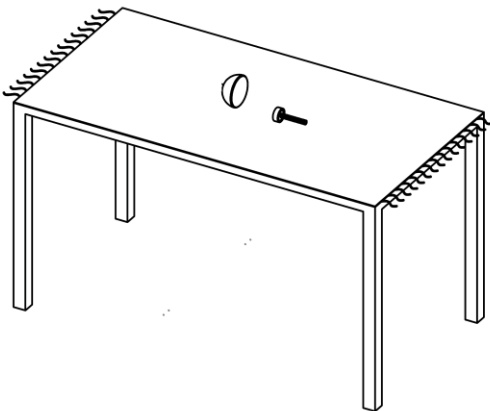
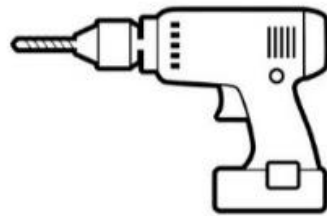
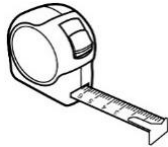




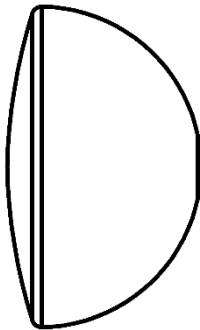
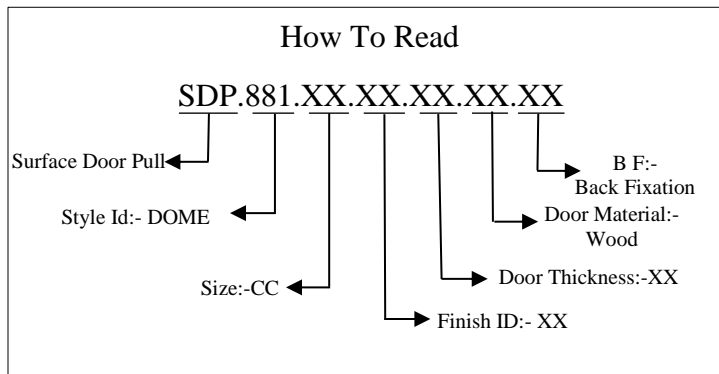
**FRONT FIXING HANDLE ILLUSTRATED**



Required Tools



Step Wise Packing List			
S No	Part Number	Qty	Steps
1	SDP.881.XX.XX.XX.XX	1x	1
2	MSCCSKPH.XX	1x	2
3	SDP.BUSH	1x	2
4	SDP.CAP	1x	3
5	Manual	1x	-



SDP.881.XX.XX.XX.XX.XX



MSCCSKPH.XX

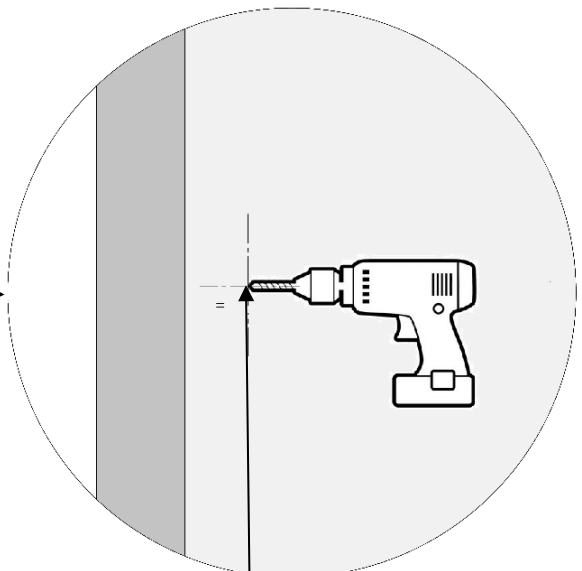
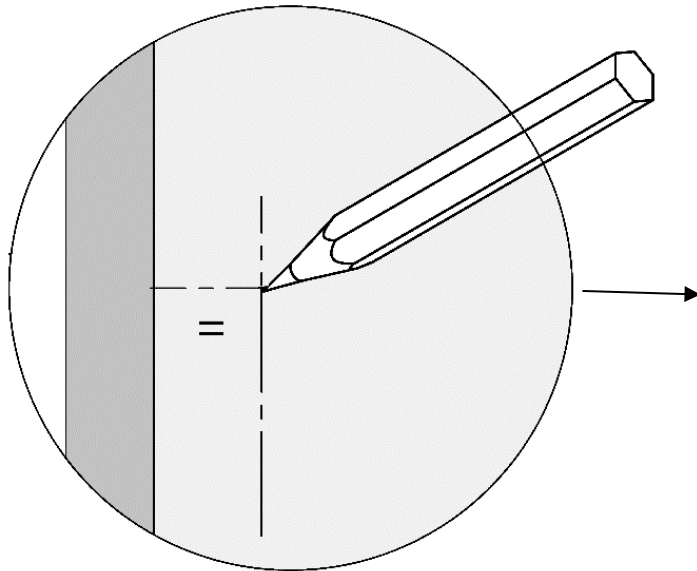
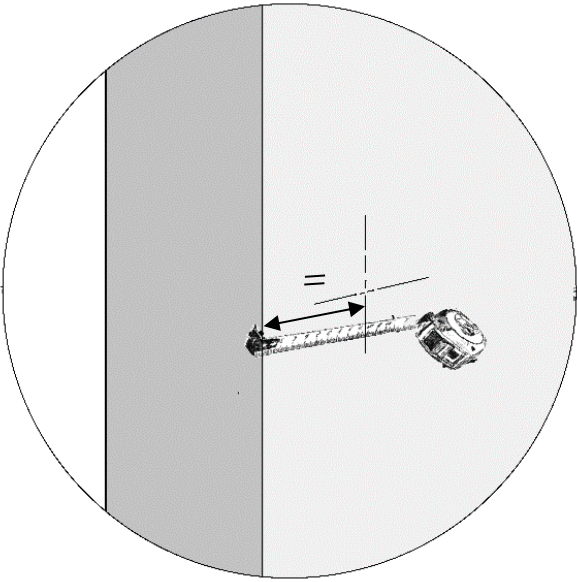


SDP.BUSH



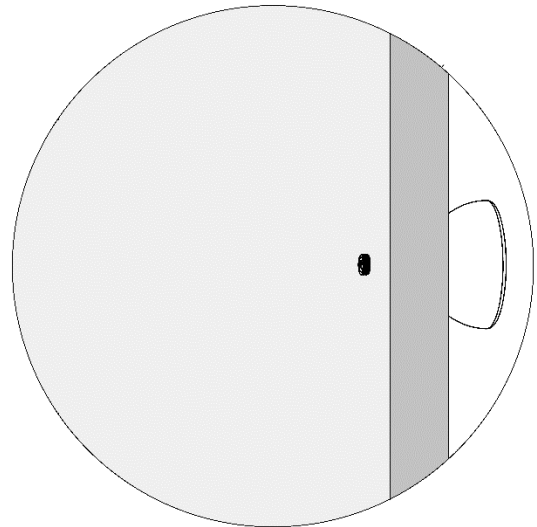
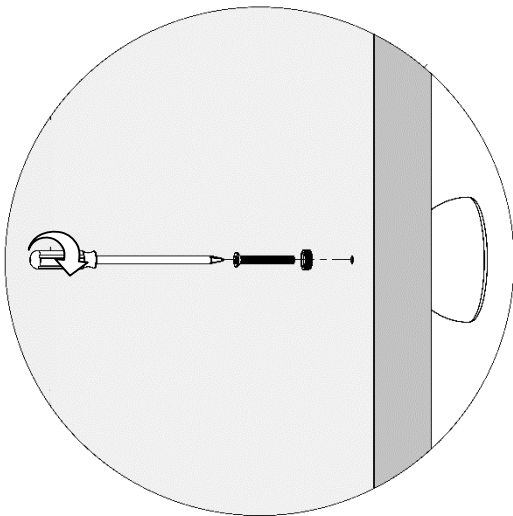
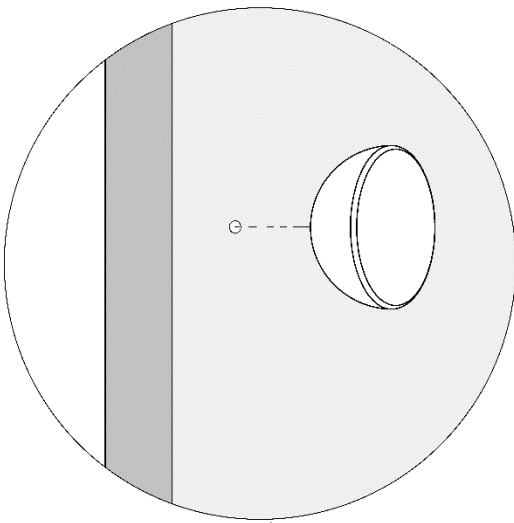
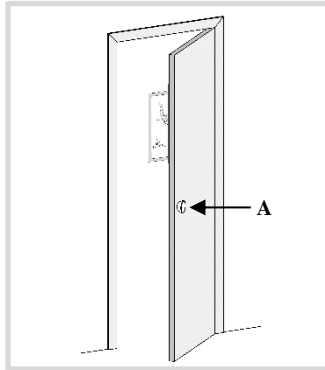
SDP.CAP

STEP-1



Drill  $\varnothing$  2.5 mm  $\frac{+0.40}{-0.00}$   
 $\frac{1}{10}''$   $\frac{+1/64''}{-0.00}$

STEP-2



STEP-3

