



Satin Chrome (Finish ID:24)

HUDSON SURFACE MOUNT DOOR PULL

	Item Code	Size (mm & Inches)	Material	Size (Inches)				Fig.
				A	B	C	D	
1	SDP.880.12".XX.XXX.XXXX.X	304.8mm (12")	Brass	13.19	1.26	12	1.88	1
2	SDP.880.18".XX.XXX.XXXX.X	457.2mm (18")	Brass	19.17	1.26	18	1.88	1

"XX" in item code denotes Finish ID.
 "XXX" in item code denotes Door Thickness.
 "XXXX" in item code denotes Door Material.
 "X" in item code denotes Front Fix or Back Fix.

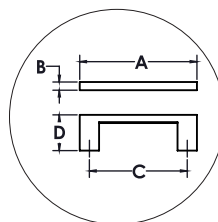
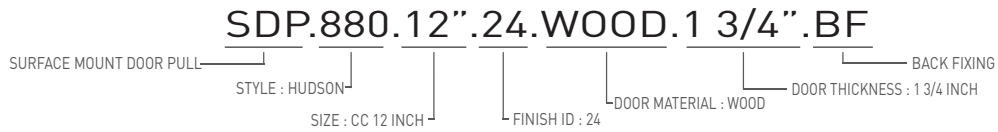


FIG. 1

This product is Supplied with Mounting Kit including with the Order.

How to Order



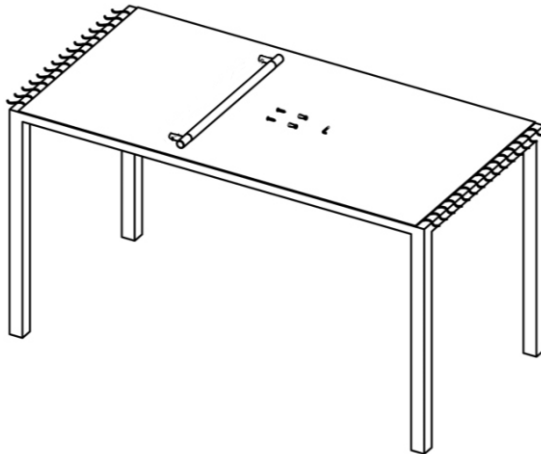
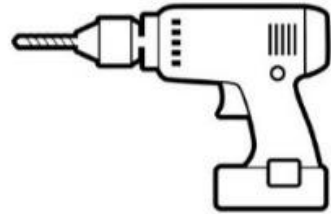
Hudson Surface Mount Door Pull Finish Options

Base Material : Brass	Standard Finishes (2-3 Weeks Delivery)
<div style="display: flex; justify-content: space-around; align-items: center;"> </div>	
<div style="display: flex; justify-content: space-around;"> <div style="text-align: center; padding: 5px;">Bright Chrome (Finish ID:2)</div> <div style="text-align: center; padding: 5px;">Brush Nickel (Finish ID:3)</div> <div style="text-align: center; padding: 5px;">Aged Brass (Finish ID:4)</div> <div style="text-align: center; padding: 5px;">Unlacquered Polished Brass (Finish ID:7U)</div> <div style="text-align: center; padding: 5px;">Polished Nickel (Finish ID:8)</div> <div style="text-align: center; padding: 5px;">Satin Brass (Finish ID:13)</div> </div>	
Base Material : Brass	Custom Finishes (3-4 Weeks Delivery)*
<div style="display: flex; justify-content: space-around; align-items: center;"> </div>	
<div style="display: flex; justify-content: space-around;"> <div style="text-align: center; padding: 5px;">Lacquered Polished Brass (Finish ID:7L)</div> <div style="text-align: center; padding: 5px;">Matte Black (Finish ID:19)</div> <div style="text-align: center; padding: 5px;">Satin Chrome (Finish ID:24)</div> <div style="text-align: center; padding: 5px;">Graphite (Finish ID:61)</div> <div style="text-align: center; padding: 5px;">Titanium (Finish ID:79)</div> <div style="text-align: center; padding: 5px;">Ombre (Finish ID:92)</div> <div style="text-align: center; padding: 5px;">Brush Chrome (Finish ID:95)</div> </div>	

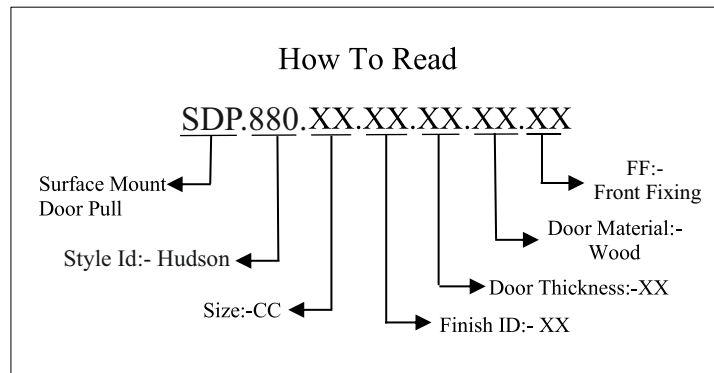
Front Fix (FF)	
Door Material	Door Thickness
1. Wood	1", 1 1/4", 1 1/2", 1 3/4", 2", 2 1/4", 2 1/2"
2. Metal	1", 1 1/4", 1 1/2", 1 3/4", 2", 2 1/4", 2 1/2"
Back Fix (BF)	
Door Material	Door Thickness
1. Wood	5/16", 3/8", 1/2", 3/4", 1", 1 1/4", 1 1/2", 1 3/4", 2", 2 1/4", 2 1/2"
2. Metal	5/16", 3/8", 1/2", 3/4", 1", 1 1/4", 1 1/2", 1 3/4", 2", 2 1/4", 2 1/2"
3. Glass	5/16", 3/8", 1/2", 3/4", 1"

- Custom finishes cannot be returned or refunded. We are unable to accept cancellations for custom finish order unless within 48 hours of the order being placed.
- We have uniform pricing for all non-hammered finishes listed above as long as base material and size is same.
- Contact us for customized finishes, refer pages F1, F2, F3 & F4 for finish glossary.

Required Tools



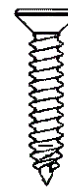
Step Wise Packing List			
S. No.	Part Number	Qty.	Steps
1	SDP.880.XX.XX.XX.XX.XX	1x	1
2	SDP.FFPIN	2x	3
3	WSSSCSKPFH.XX	2x	4
4	Manual	1x	-



SDP.880.XX.XX.XX.XX.XX

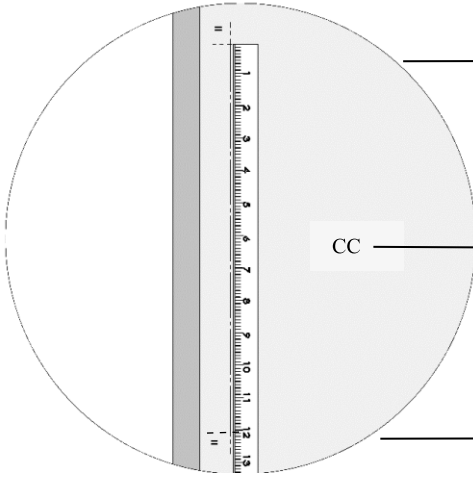
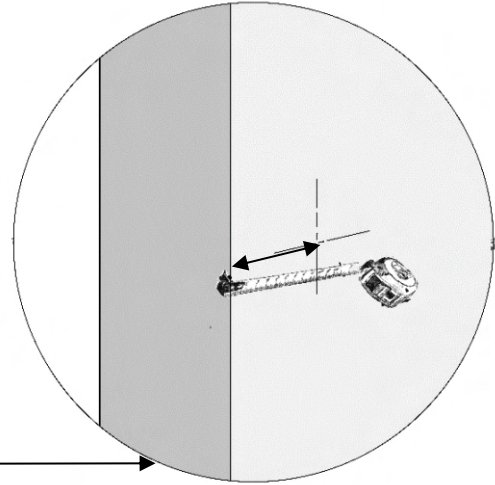
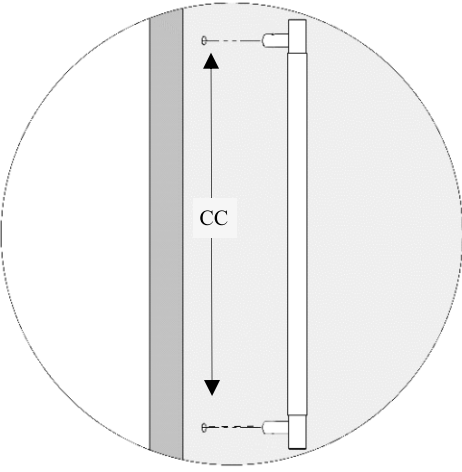


SDP.FFPIN



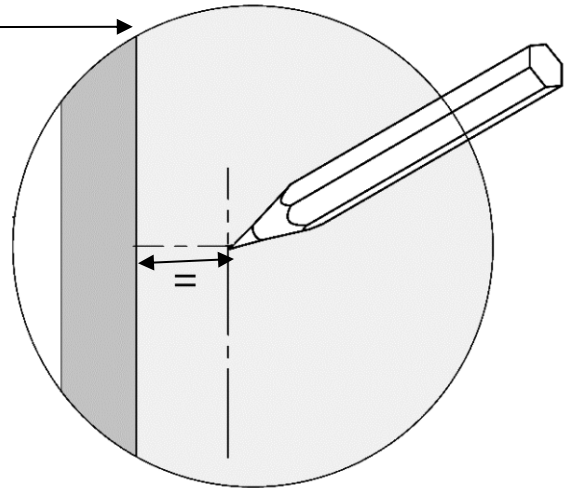
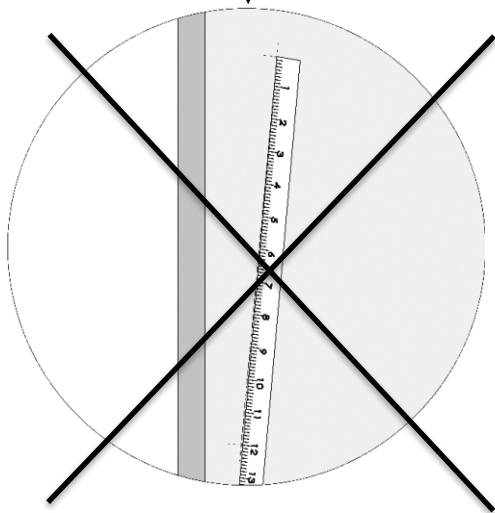
WSSSCSKPFH.XX

STEP-1

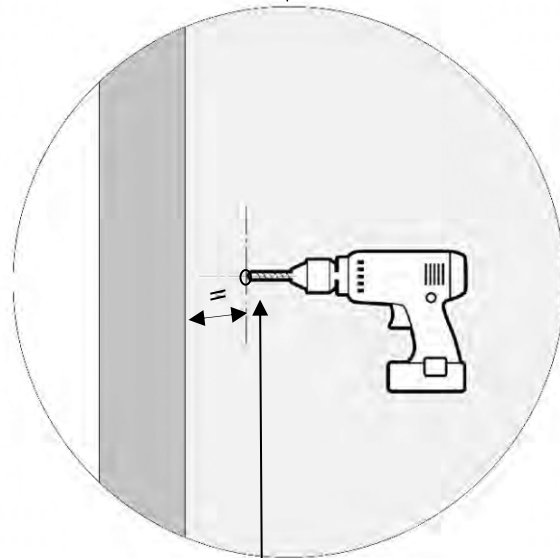
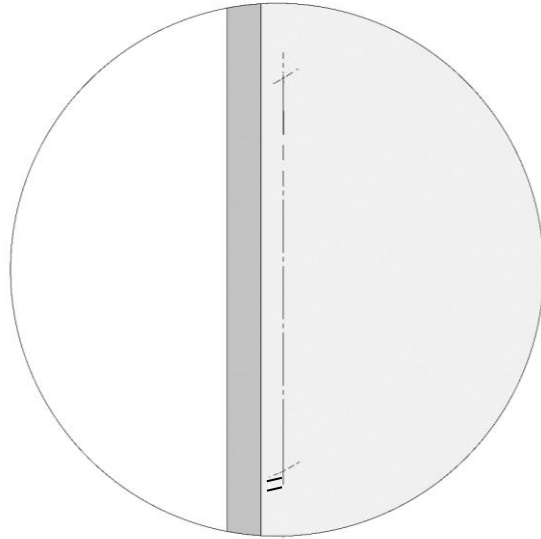


SDP.880.XX.XX.XX.XX.XX

Size:-CC
12"
18"

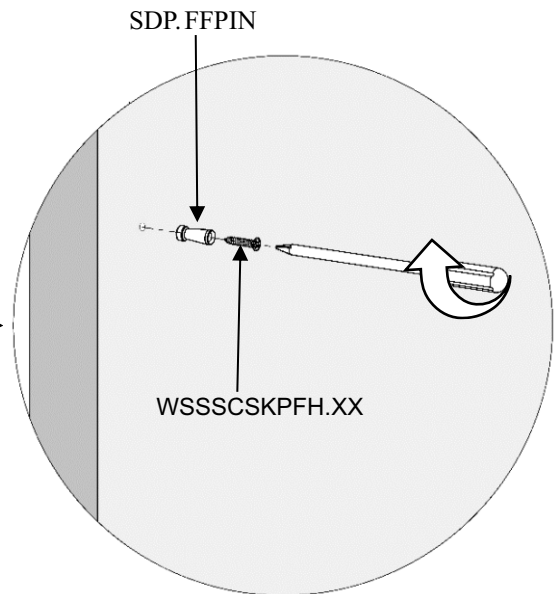
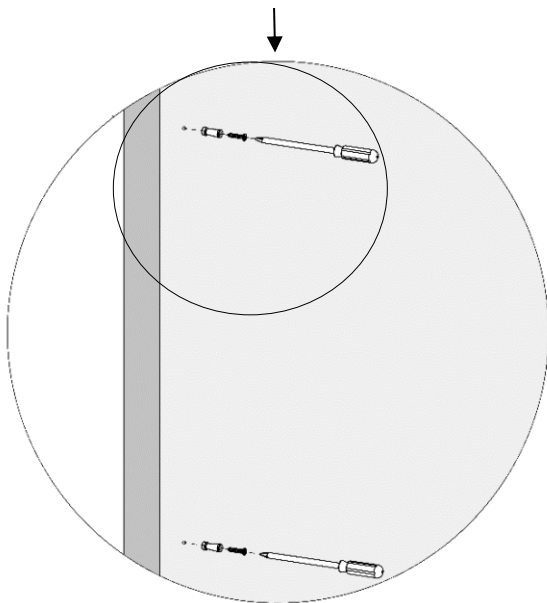
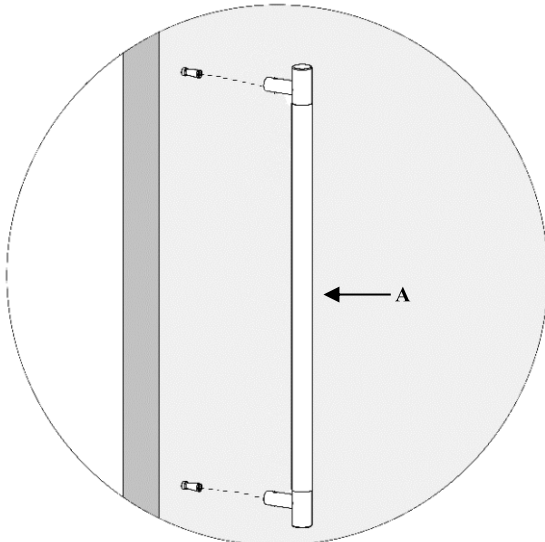
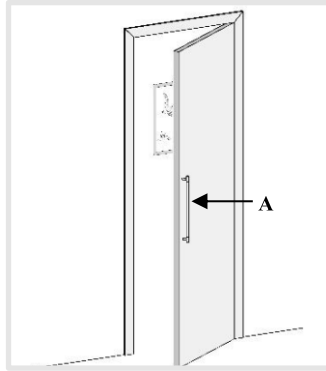


STEP-2

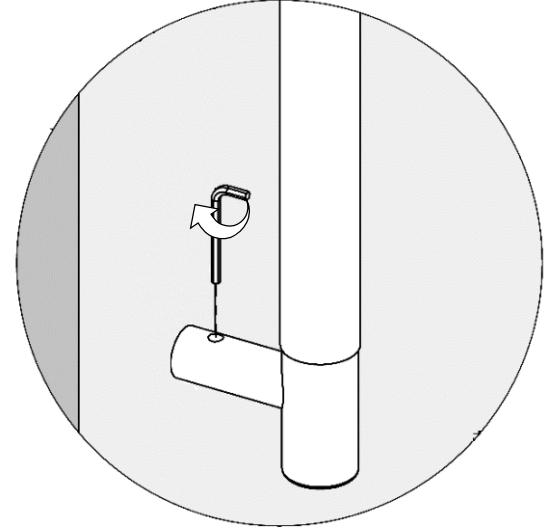
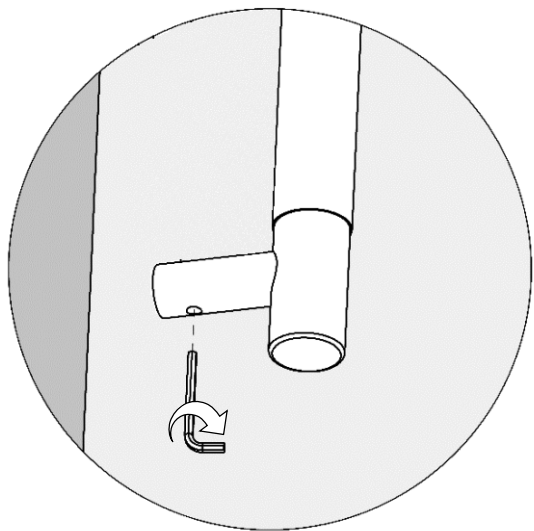
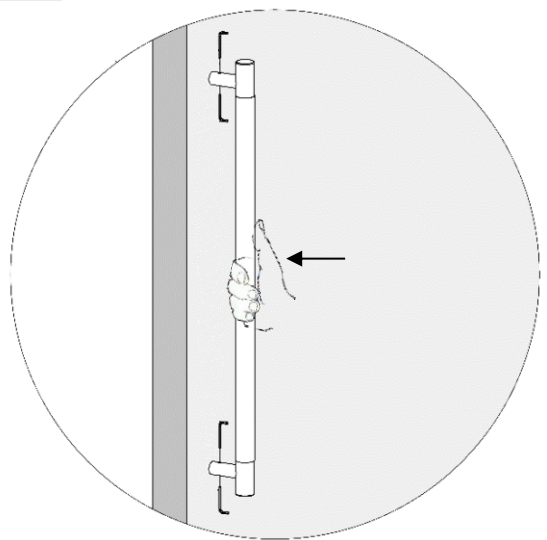
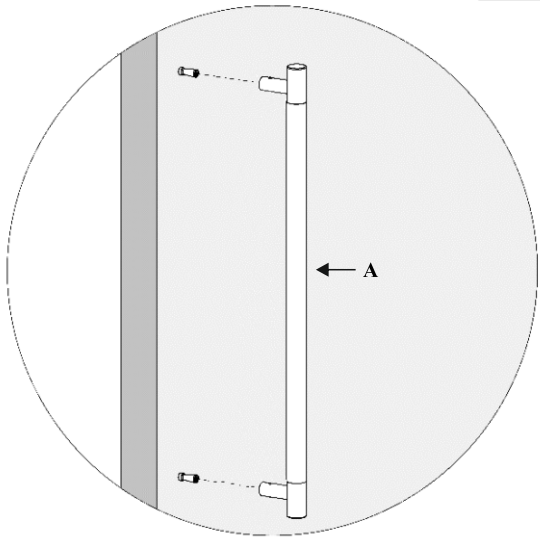
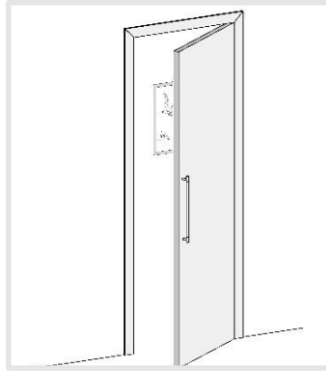


Drill \varnothing 2.5 mm $\frac{+0.20}{-0.00}$
 $\frac{1}{10}$ " $\frac{+1/128"}{-0.00}$

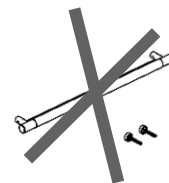
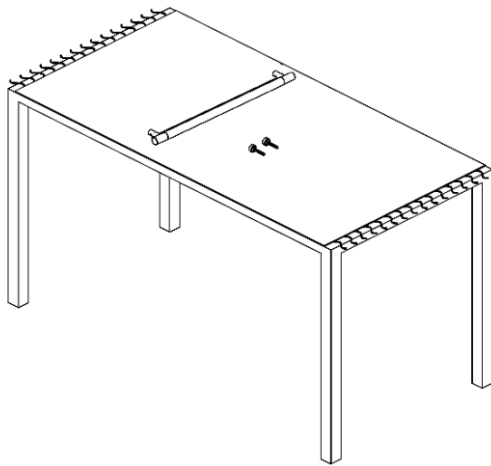
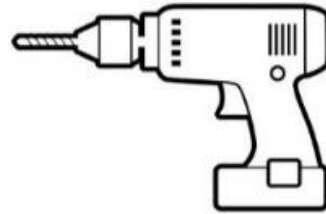
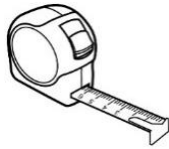
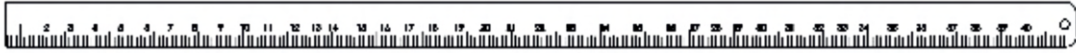
STEP-3



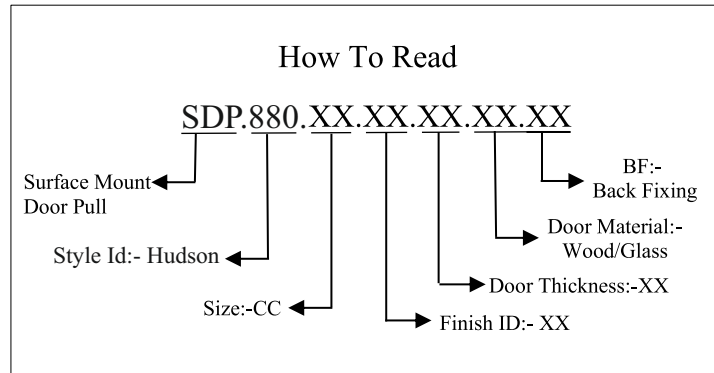
STEP-4



Required Tools



Step Wise Packing List			
S. No.	Part Number	Qty.	Steps
1	SDP.880.XX.XX.XX.XX.XX	1x	1
2	MSCCSKPH.XX	2x	3
3	SDP.BUSH	2x	3
4	SDP.CAP	2x	4
5	Manual	1x	-



SDP.880.XX.XX.XX.XX.XX



MSCCSKPH.XX

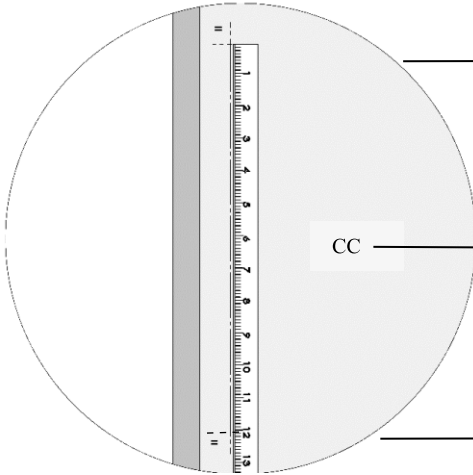
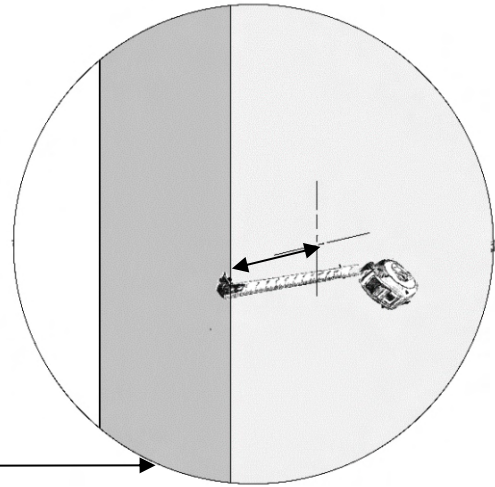
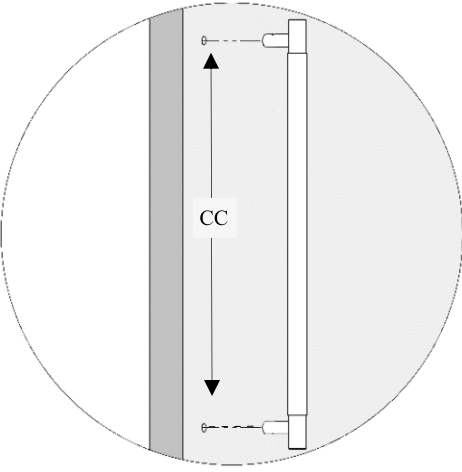


SDP.BUSH



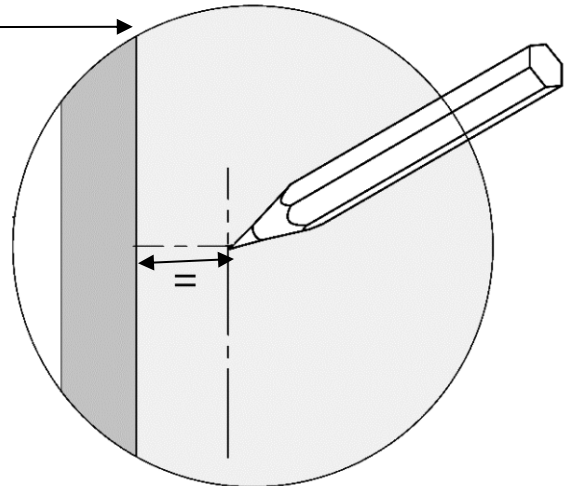
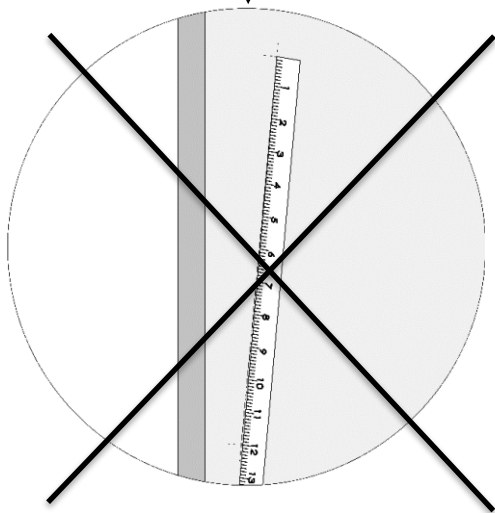
SDP.CAP

STEP-1

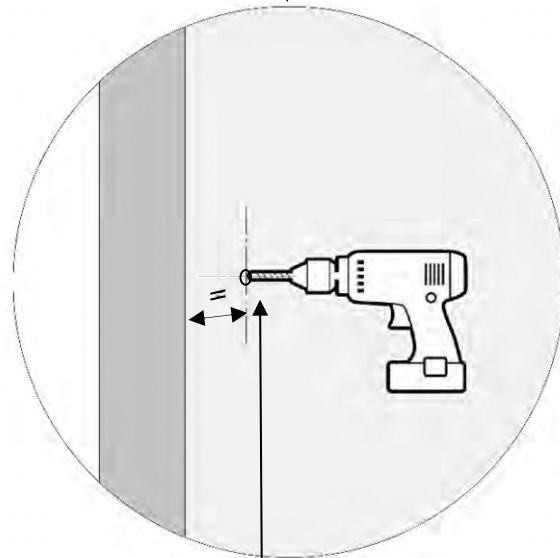
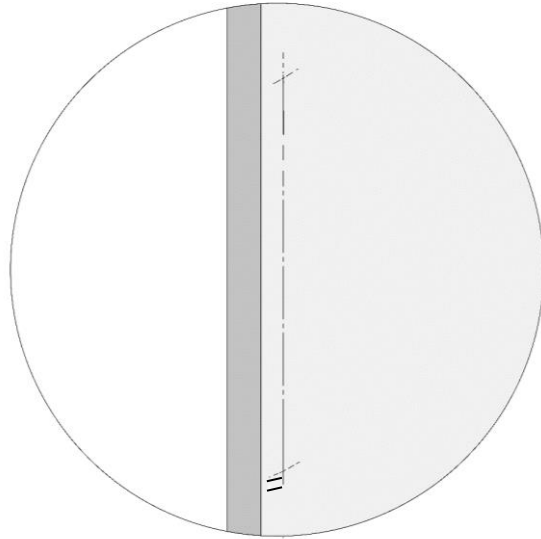


SDP.880.XX.XX.XX.XX

Size:-CC
12"
18"

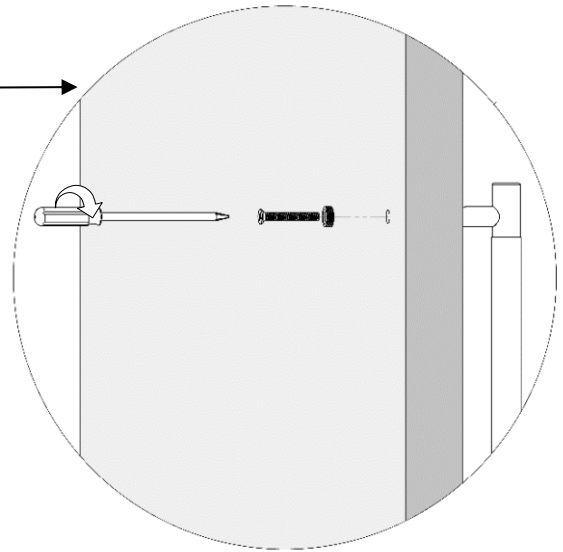
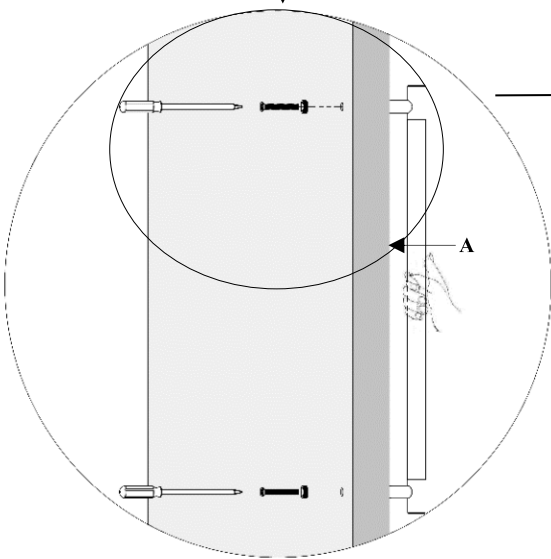
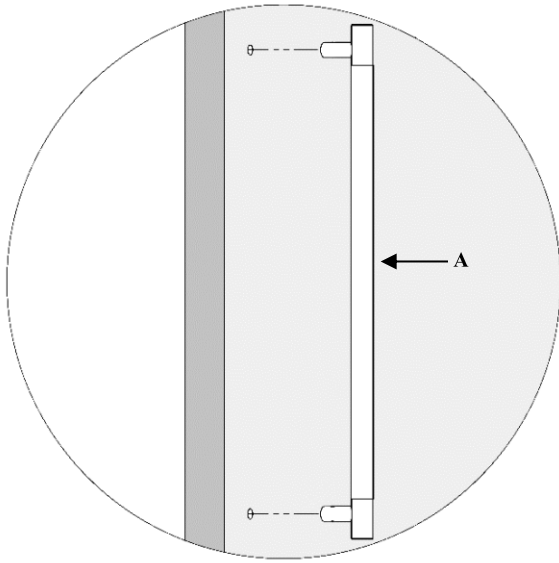
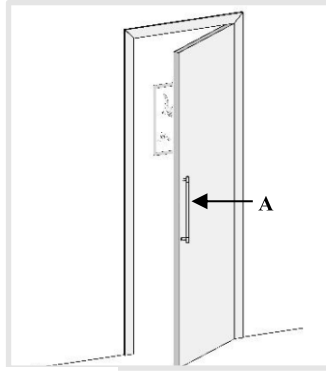


STEP-2



Drill \varnothing 6.5 mm $\frac{+0.40}{-0.00}$
 $\frac{1}{4}$ " $\frac{+1/64"}{-0.00}$

STEP-3



STEP-4

