



English Metallic Bronze (Finish ID:51)

WRIGHT PERLA SURFACE MOUNT DOOR PULL

“The Taj Mahal is a universally revered architectural masterpiece of world heritage, the bevelled geometric shape of the base of the Taj is the inspiration behind Wright Perla.”

	Item Code	Size (mm & Inches)	Material	Size (Inches)				Fig.
				A	B	C	D	
1	SDP.692.12".XX.XXX.XXXX.X	304.8mm (12")	Brass	15.24	1.24	12	2.42	1
2	SDP.692.18".XX.XXX.XXXX.X	457.2mm (18")	Brass	21.24	1.24	18	2.42	1

“XX” in item code denotes Finish ID.

“XXX” in item code denotes Door Thickness.

“XXXX” in item code denotes Door Material.

“X” in item code denotes Front Fix or Back Fix.

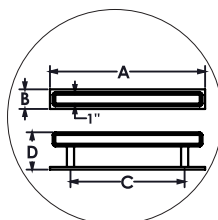
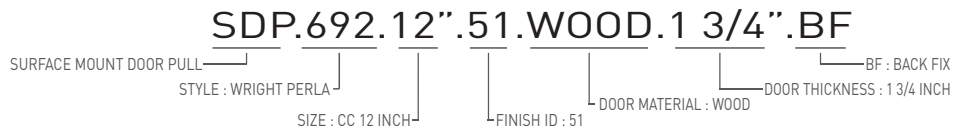


FIG. 1

This product is Supplied with Based on Front Fix or Back Fix Order.

How to Order



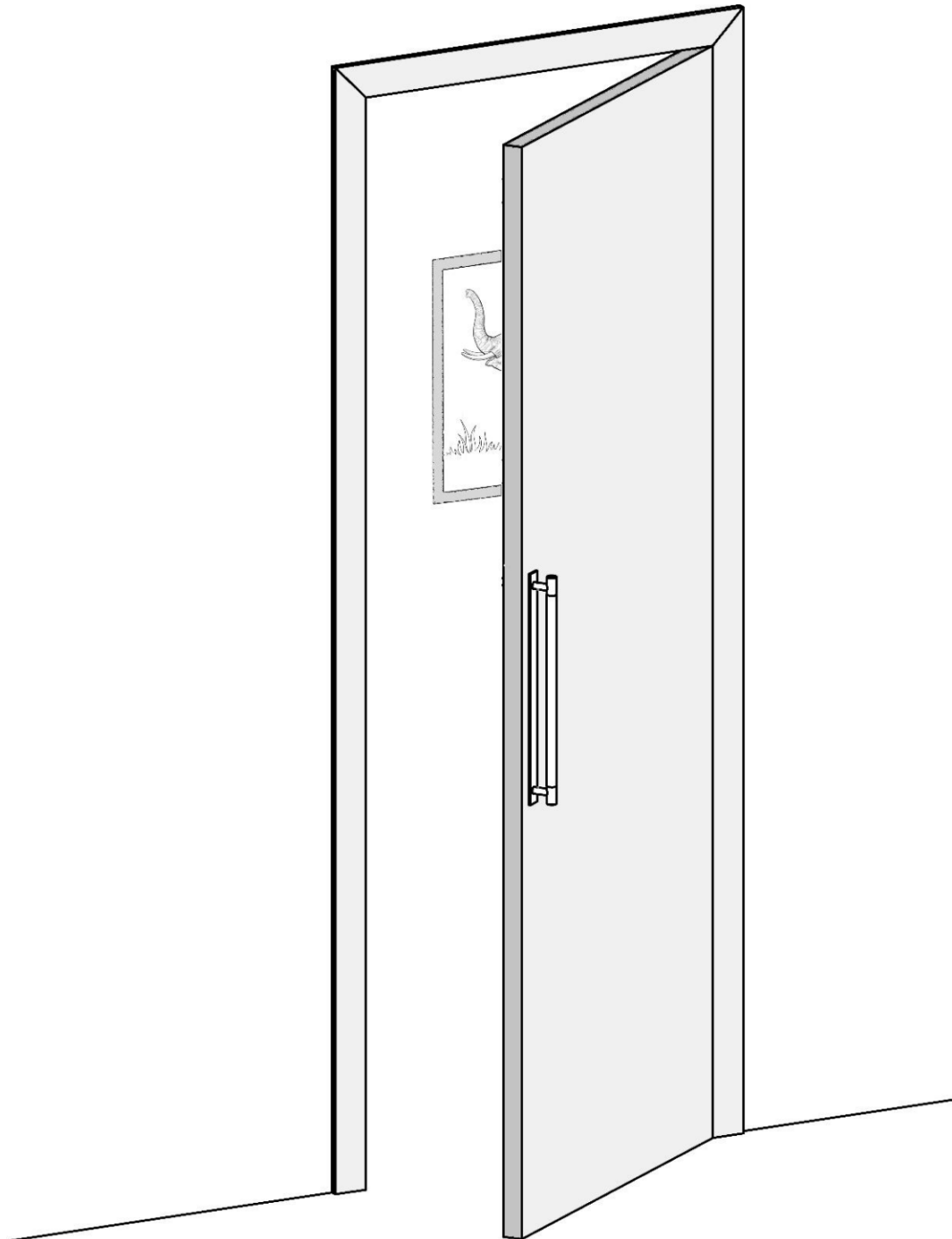
Wright Perla Surface Mount Door Pull Finish Options

Base Material : Brass		Standard Finishes (2-3 Weeks Delivery)			
					
Bright Chrome (Finish ID:2)	Brush Nickel (Finish ID:3)	Aged Brass (Finish ID:4)	Unlacquered Polished Brass (Finish ID:7U)	Polished Nickel (Finish ID:8)	Satin Brass (Finish ID:13)
Base Material : Brass		Custom Finishes (3-4 Weeks Delivery)*			
					
Lacquered Polished Brass (Finish ID:7L)	Matte Black (Finish ID:19)	Titanium (Finish 79)	Brush Chrome (Finish ID:95)		

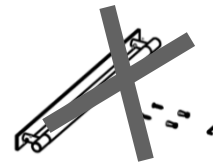
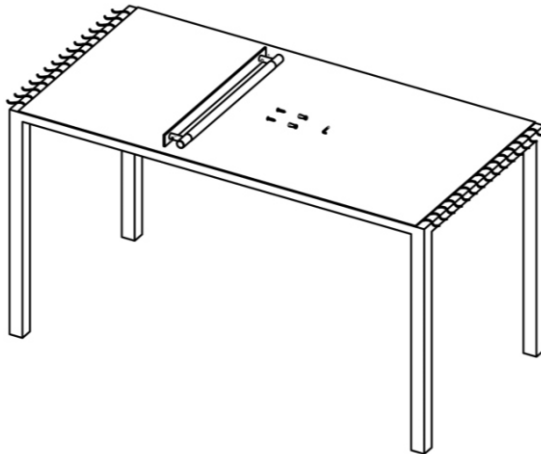
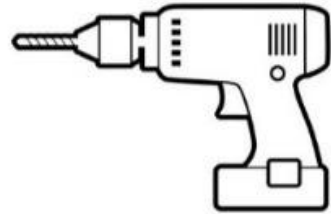
Front Fix (FF)	
Door Material	Door Thickness
1. Wood	1", 1 1/4", 1 1/2", 1 3/4", 2", 2 1/4", 2 1/2"
2. Metal	1", 1 1/4", 1 1/2", 1 3/4", 2", 2 1/4", 2 1/2"
Back Fix (BF)	
Door Material	Door Thickness
1. Wood	5/16", 3/8", 1/2", 3/4", 1", 1 1/4", 1 1/2", 1 3/4", 2", 2 1/4", 2 1/2"
2. Metal	5/16", 3/8", 1/2", 3/4", 1", 1 1/4", 1 1/2", 1 3/4", 2", 2 1/4", 2 1/2"
3. Glass	5/16", 3/8", 1/2", 3/4", 1"

- Custom finishes cannot be returned or refunded. We are unable to accept cancellations for custom finish order unless within 48 hours of the order being placed.
- We have uniform pricing for all non-hammered finishes listed above as long as base material and size is same.
- Contact us for customized finishes, refer pages F1, F2, F3 & F4 for finish glossary.

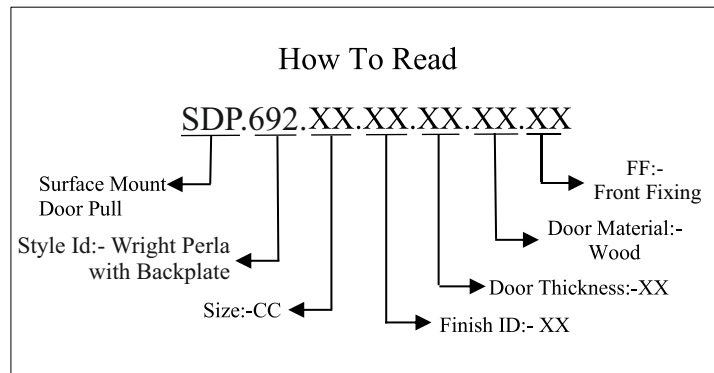
**SURFACE MOUNT FRONT FIXING
HANDLE ILLUSTRATED**



Required Tools



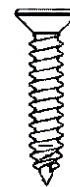
Step Wise Packing List			
S. No.	Part Number	Qty.	Steps
1	SDP.692.XX.XX.XX.XX.XX	1x	1
2	SDP.FFPIN	2x	3
3	WSSSCSKPFH.XX	2x	4
4	Manual	1x	-



SDP.692.XX.XX.XX.XX.XX

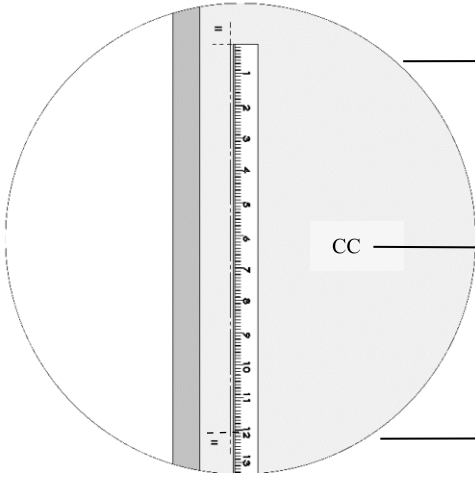
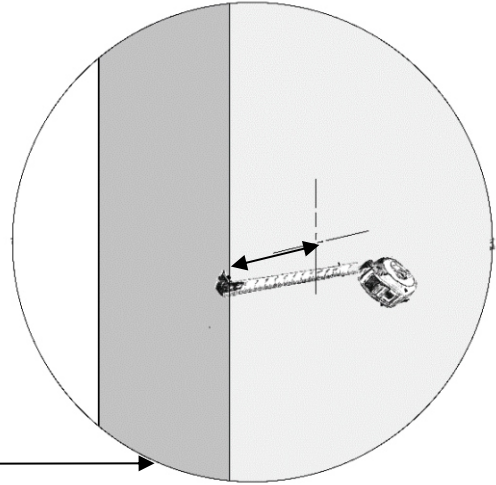
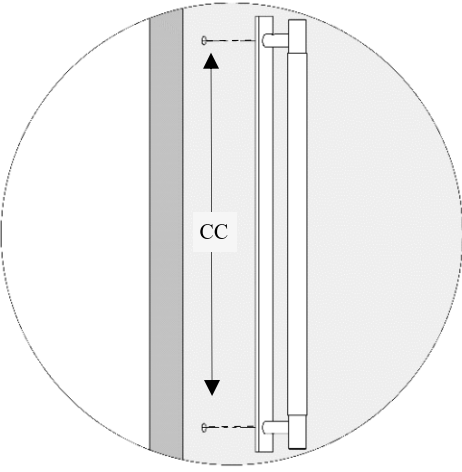


SDP.FFPIN



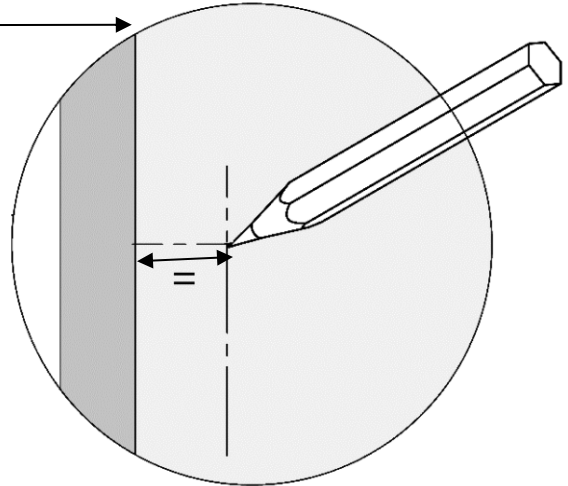
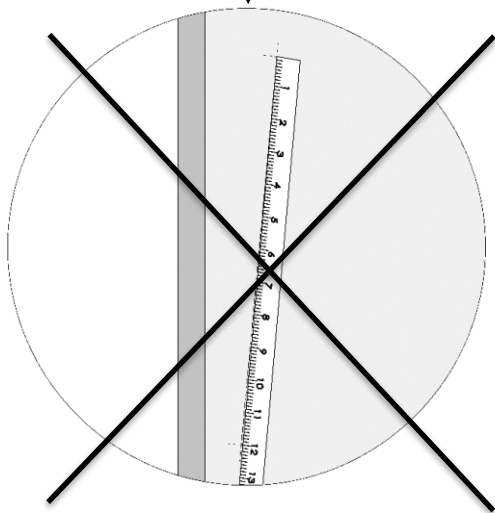
WSSSCSKPFH.XX

STEP-1

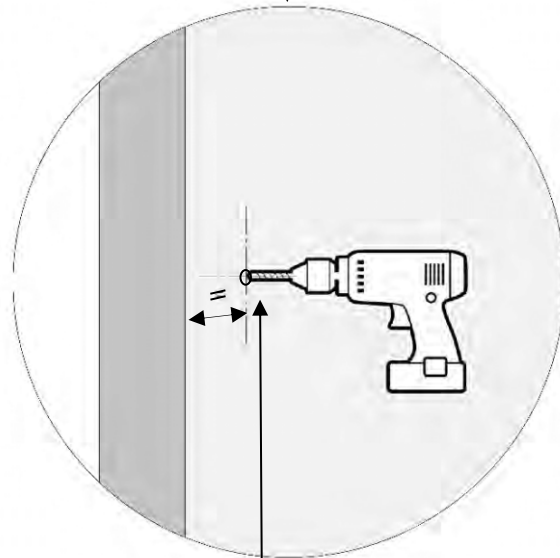
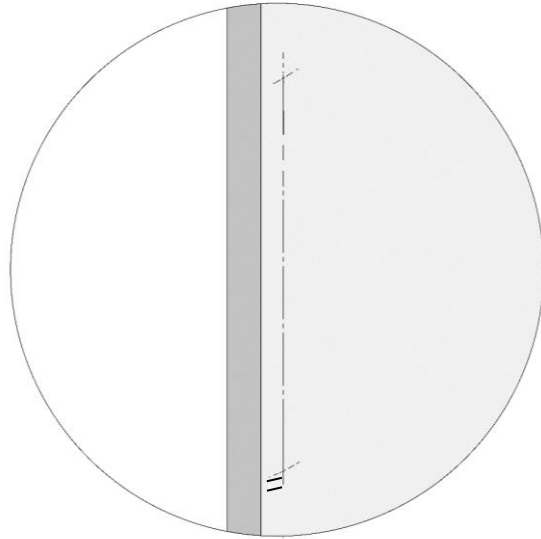


SDP.692.XX.XX.XX.XX.XX

Size:-CC
12"
18"

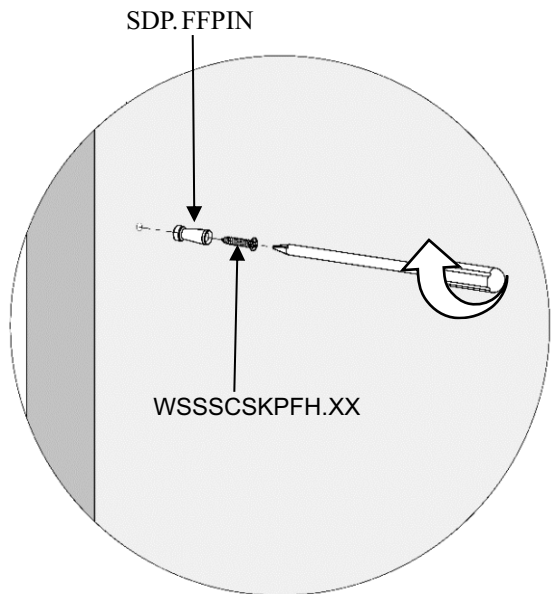
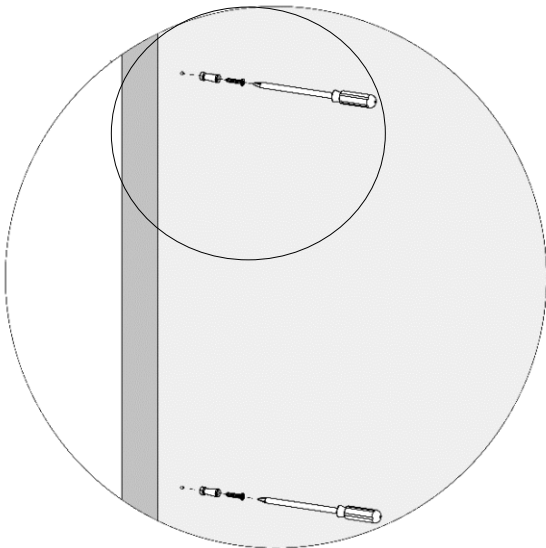
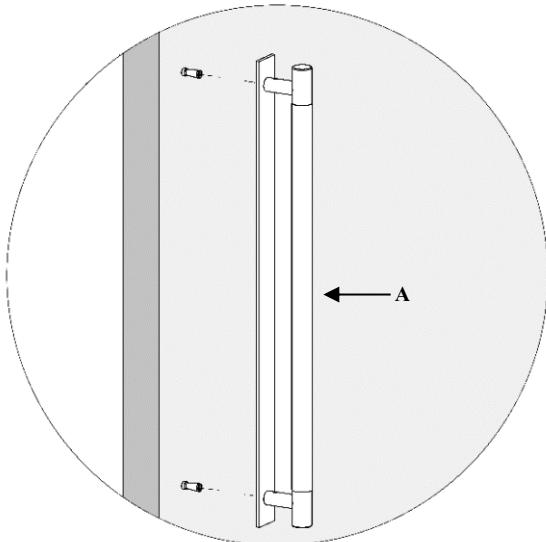
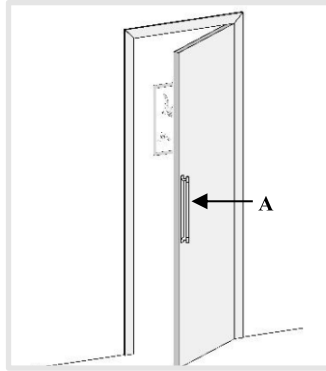


STEP-2

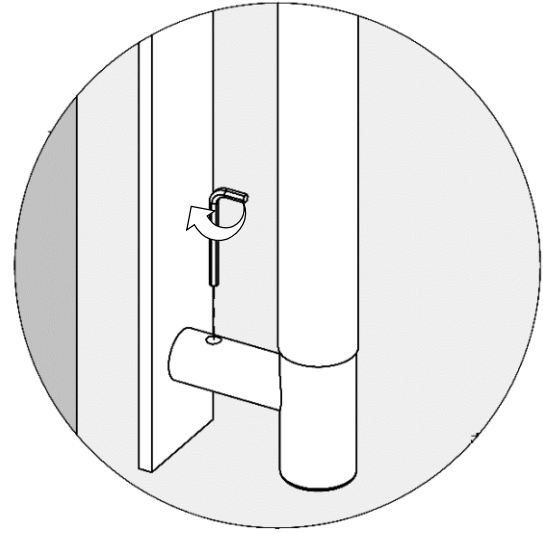
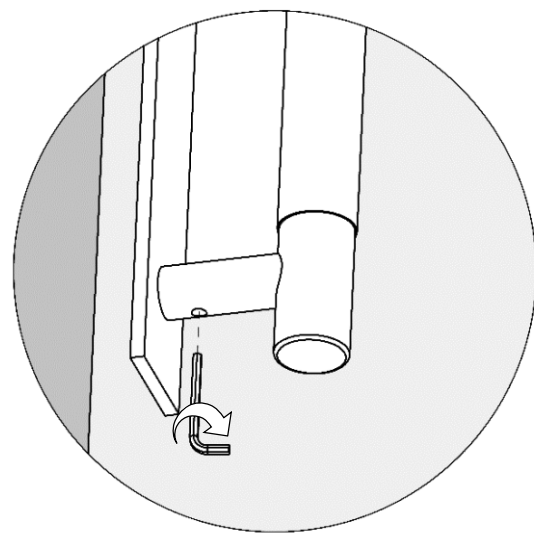
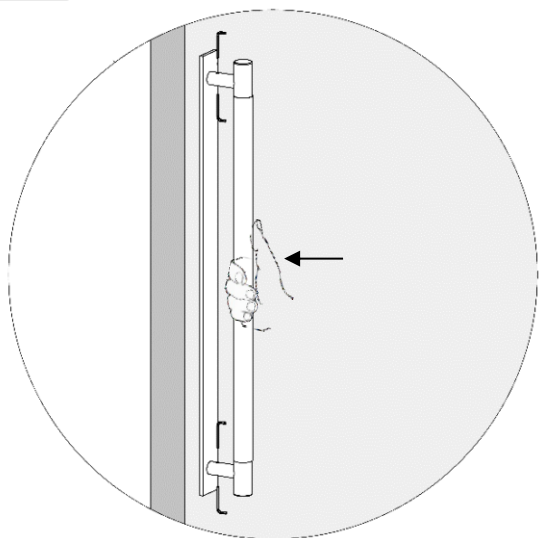
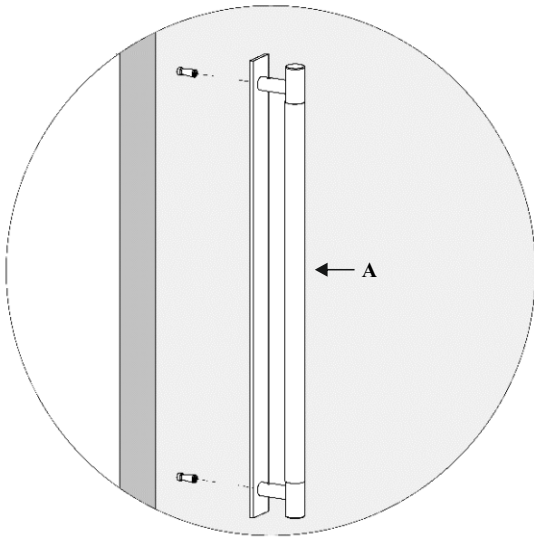
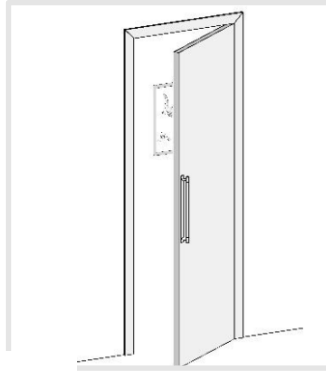


Drill \varnothing 2.5 mm $\frac{+0.20}{-0.00}$
 $\frac{1}{10}$ " $\frac{+1/128"}{-0.00}$

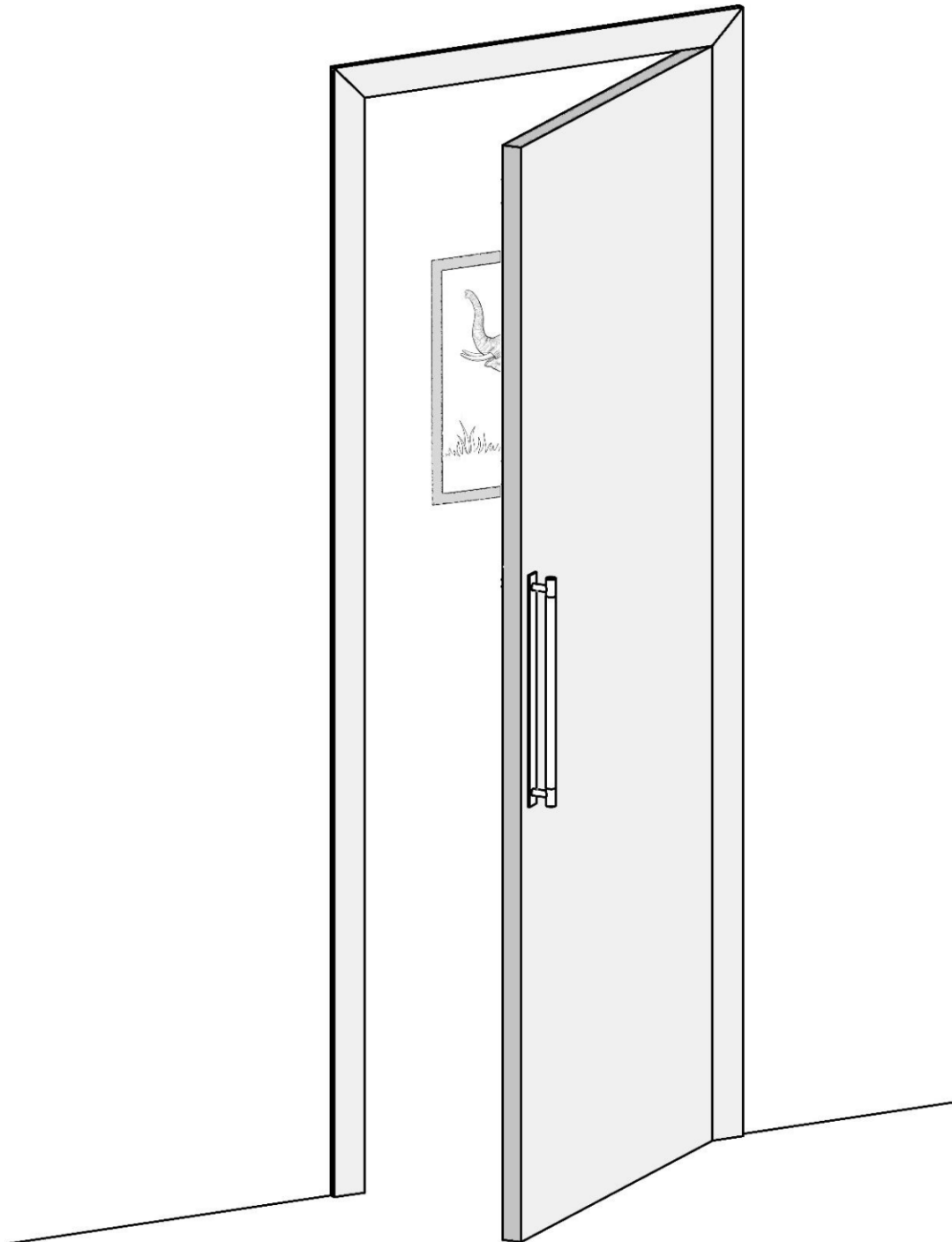
STEP-3



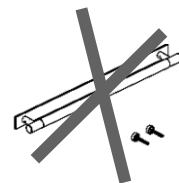
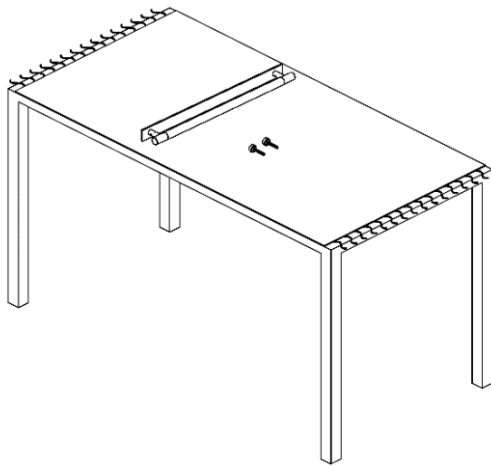
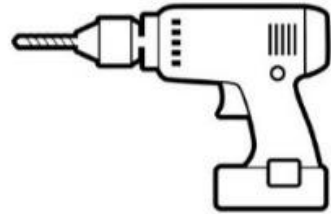
STEP-4



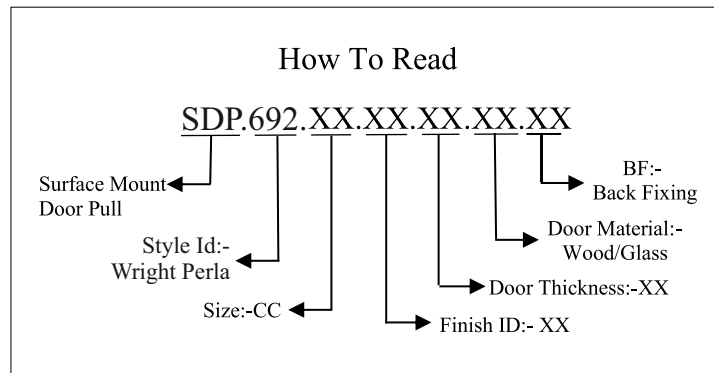
**SURFACE MOUNT BACK FIXING
HANDLE ILLUSTRATED**



Required Tools



Step Wise Packing List			
S. No.	Part Number	Qty.	Steps
1	SDP.692.XX.XX.XX.XX.XX	1x	1
2	MSCCSKPH.XX	2x	3
3	SDP.BUSH	2x	3
4	SDP.CAP	2x	4
5	Manual	1x	-



SDP.692.XX.XX.XX.XX.XX



MSCCSKPH.XX

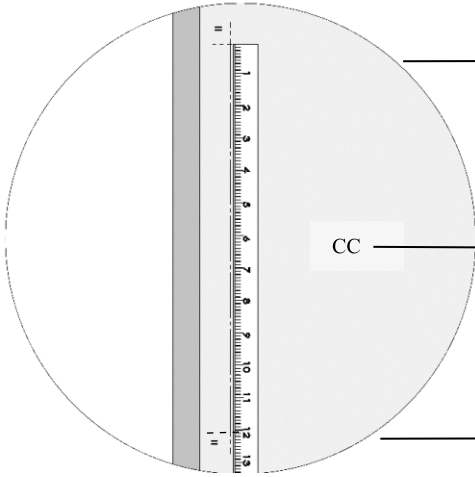
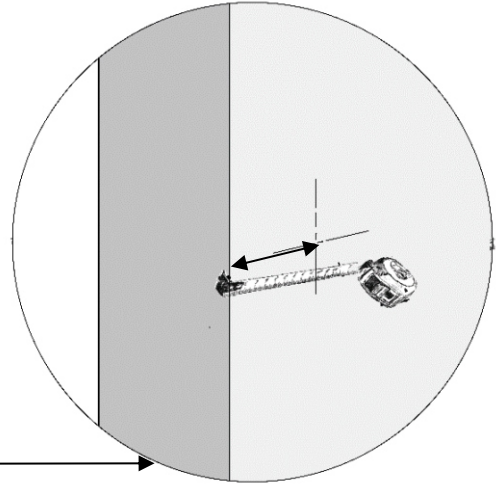
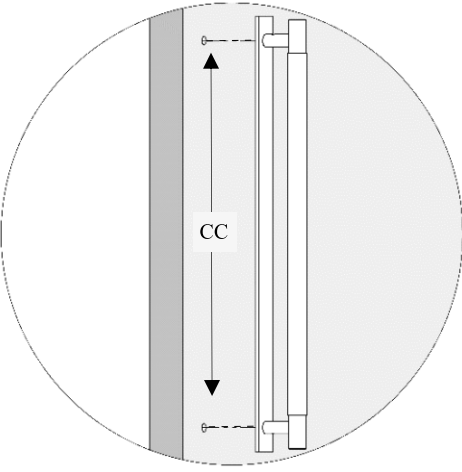


SDP.BUSH



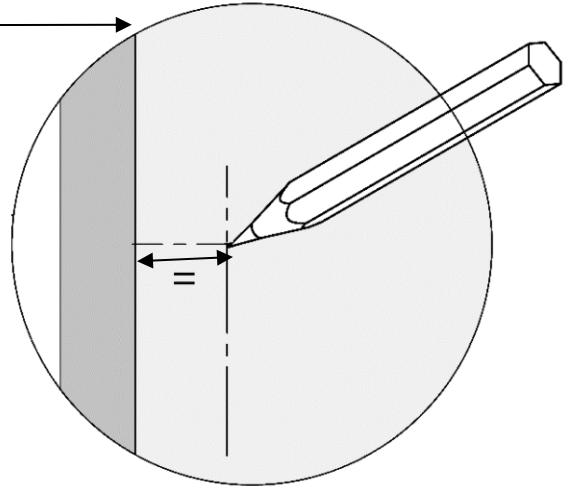
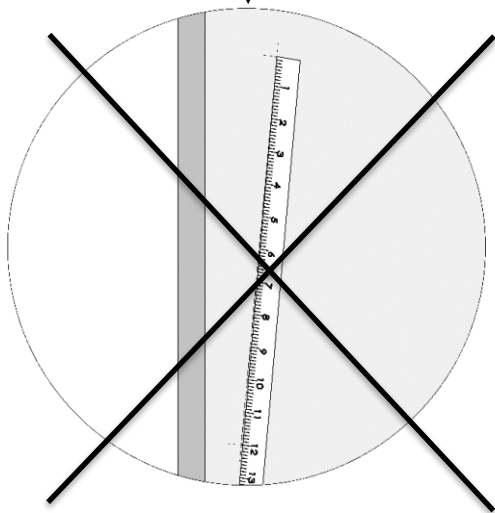
SDP.CAP

STEP-1

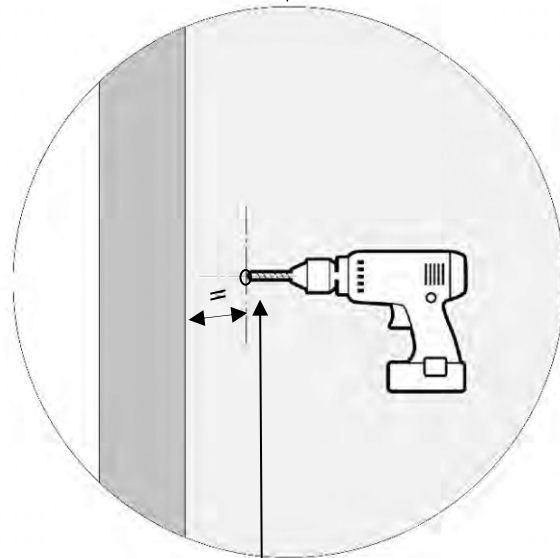
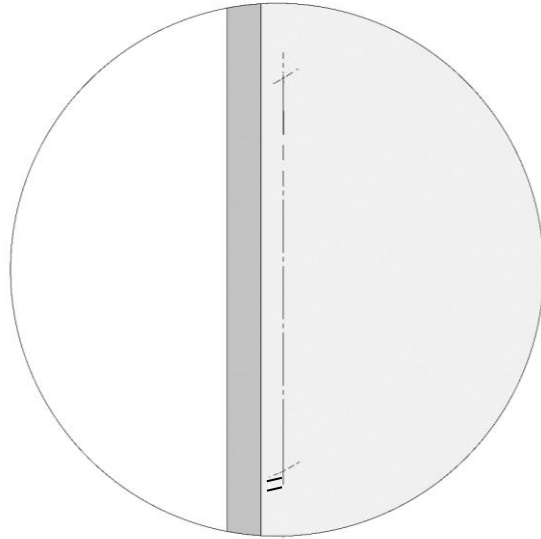


SDP.692.XX.XX.XX.XX.XX

Size:-CC
12"
18"

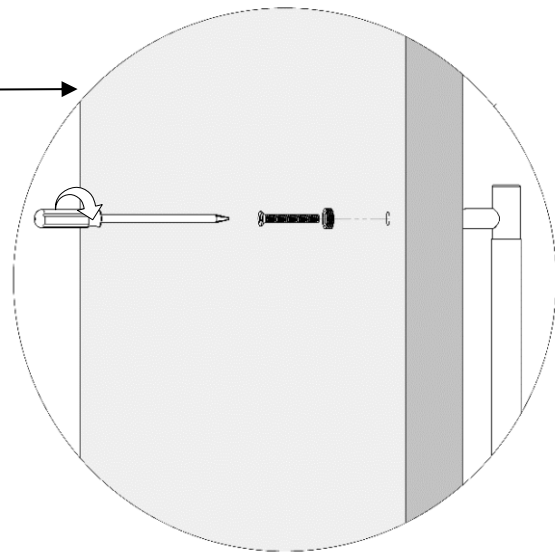
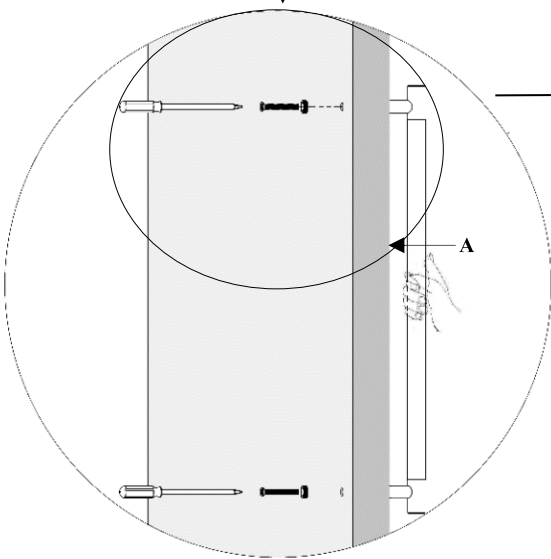
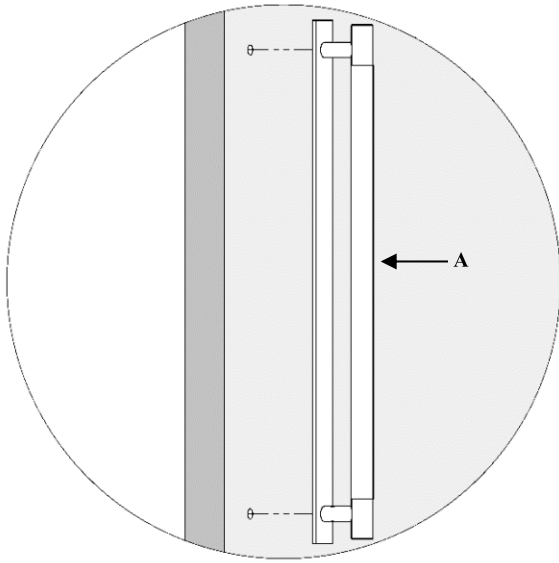
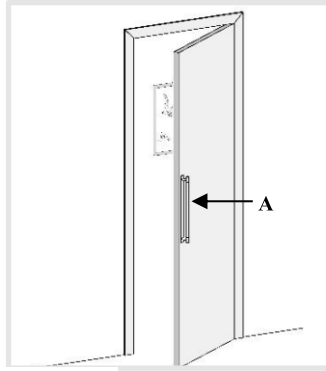


STEP-2



Drill \varnothing 6.5 mm $\frac{+0.40}{-0.00}$
 $\frac{1}{4}$ " $\frac{+1/64"}{-0.00}$

STEP-3



STEP-4

