



Silicon Bronze Light (Finish ID:53)

COLUMBUS SIDE BY SIDE SURFACE MOUNT DOOR PULL

Item Code	Size (mm & Inches)	Material	Size (Inches)				Fig.
			A	B	C	D	
1 SDP.907.8".XX.XXX.XXXX.X	203.2mm (8")	Brass	8	0.63	6.62	1.1	1
2 SDP.907.12".XX.XXX.XXXX.X	304.8mm (12")	Brass	12	1.18	10.70	1.5	1
3 SDP.907.15".XX.XXX.XXXX.X	381mm (15")	Brass	15	1.18	13.74	1.5	1
4 SDP.907.18".XX.XXX.XXXX.X	457.2mm (18")	Brass	17.83	1.57	16.34	2.01	1
5 SDP.907.8".XX.XXX.XXXX.X	203.2mm (8")	Bronze	8	0.63	6.62	1.1	1
6 SDP.907.12".XX.XXX.XXXX.X	304.8mm (12")	Bronze	12	1.18	10.70	1.5	1
7 SDP.907.15".XX.XXX.XXXX.X	381mm (15")	Bronze	15	1.18	13.74	1.5	1
8 SDP.907.18".XX.XXX.XXXX.X	457.2mm (18")	Bronze	17.83	1.57	16.34	2.01	2

"XX" in item code denotes Finish ID.
 "XXX" in item code denotes Door Thickness.
 "XXXX" in item code denotes Door Material.
 "X" in item code denotes Front Fix or Back Fix.

This product is Supplied with Based on Front Fix or Back Fix Order.

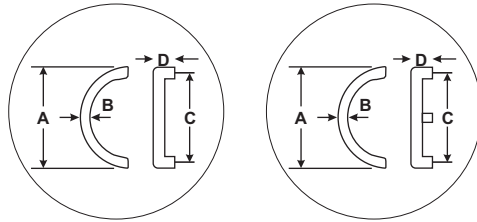


FIG. 1

FIG. 2

How to Order

SDP.907.8".53.WOOD.1 3/4".BF

SURFACE MOUNT DOOR PULL ——— STYLE : COLUMBUS ——— SIZE : OAL 8INCH ——— FINISH ID : 53 ——— DOOR MATERIAL : WOOD ——— DOOR THICKNESS : 1 3/4" ——— BF : BACK FIX

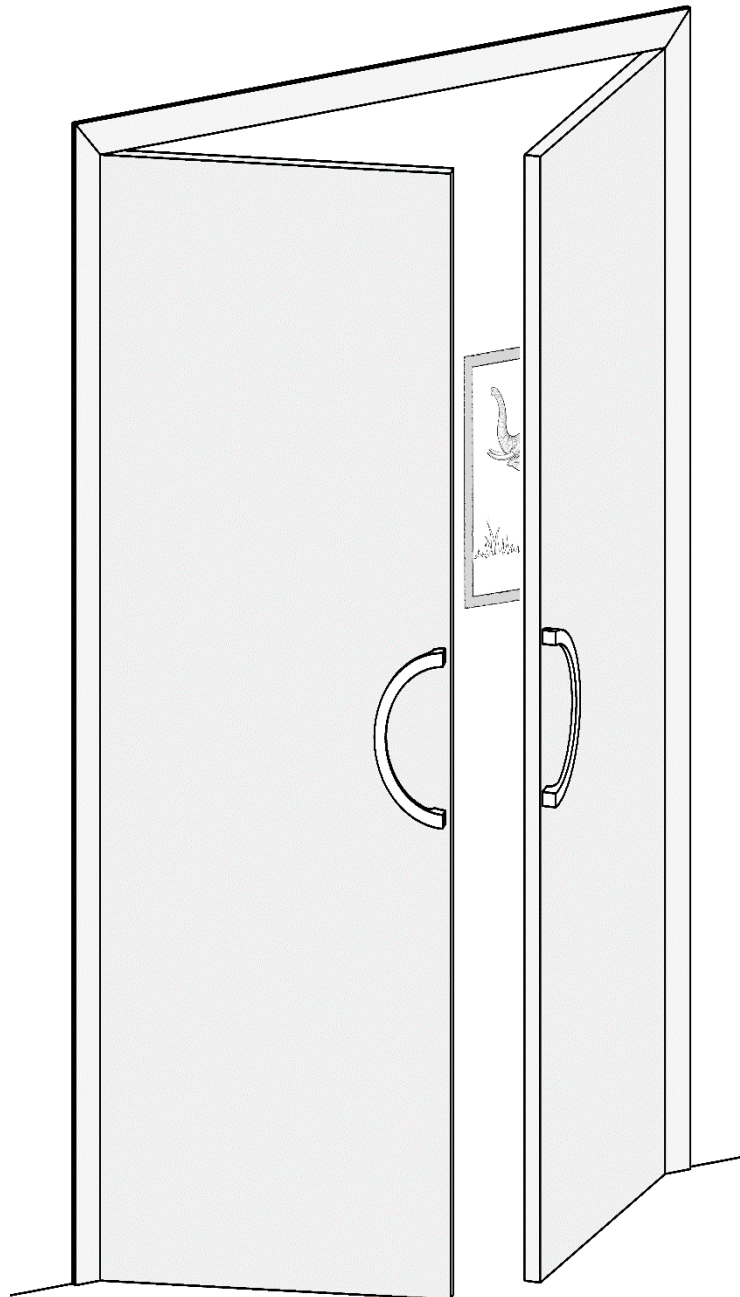
Columbus side by side Surface Mount Door pull Finish Options

Base Material : Brass	Standard Finishes (2-3 Weeks Delivery)
 Brush Nickel (Finish ID:3)	 Aged Brass (Finish ID:4)
 Polished Nickel (Finish ID:8)	 Satin Brass (Finish ID:13)
Base Material : Brass	Custom Finishes (3-4 Weeks Delivery)*
 Matte Black (Finish ID:19)	 Graphite (Finish ID:61)
 Titanium (Finish ID:79)	 Brush Chrome (Finish ID:95)
Base Material : Bronze	Custom Finishes (3-4 Weeks Delivery)*
 Silicon Bronze Light (Finish ID:53)	 Silicon Bronze Dark (Finish ID:53D)
 White Bronze (Finish ID:54)	

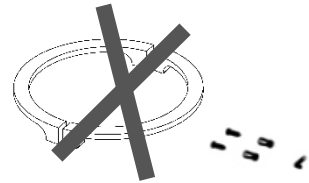
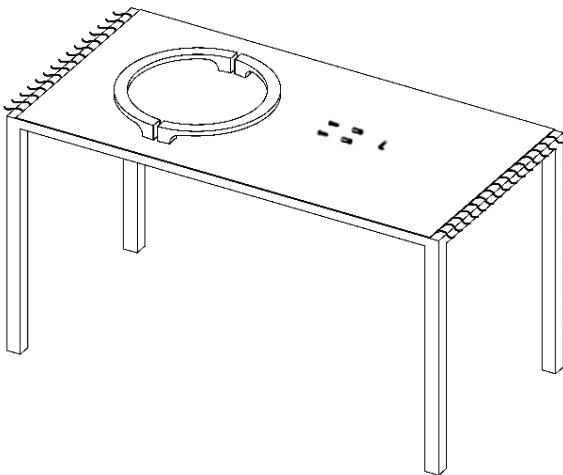
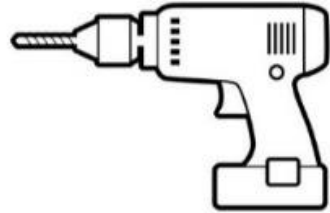
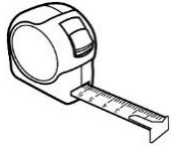
Front Fix (FF)	
Door Material	Door Thickness
1. Wood	1", 1 1/4", 1 1/2", 1 3/4", 2", 2 1/4", 2 1/2"
2. Metal	1", 1 1/4", 1 1/2", 1 3/4", 2", 2 1/4", 2 1/2"
Back Fix (BF)	
Door Material	Door Thickness
1. Wood	5/16", 3/8", 1/2", 3/4", 1", 1 1/4", 1 1/2", 1 3/4", 2", 2 1/4", 2 1/2"
2. Metal	5/16", 3/8", 1/2", 3/4", 1", 1 1/4", 1 1/2", 1 3/4", 2", 2 1/4", 2 1/2"
3. Glass	5/16", 3/8", 1/2", 3/4", 1"

- Custom finishes cannot be returned or refunded. We are unable to accept cancellations for custom finish order unless within 48 hours of the order being placed.
- We have uniform pricing for all non-hammered finishes listed above as long as base material and size is same.
- Contact us for customized finishes, refer pages F1, F2, F3 & F4 for finish glossary.

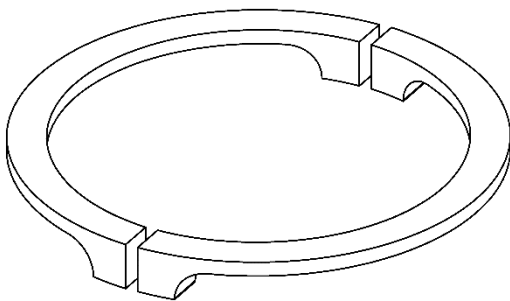
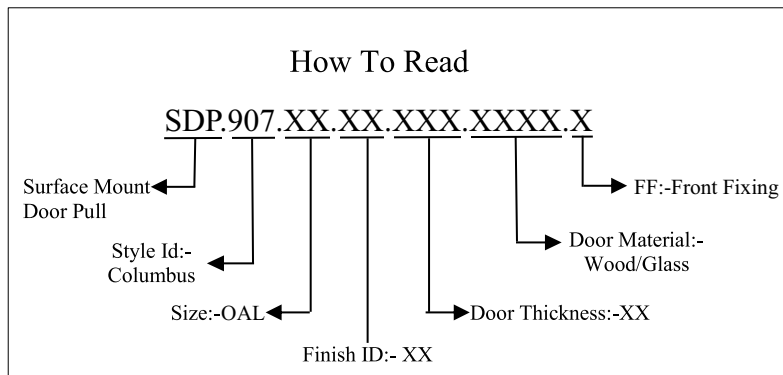
**SURFACE MOUNT FRONT FIXING
SIDE BY SIDE HANDLE ILLUSTRATED**



Required Tools



Step Wise Packing List			
S.No.	Part Number	Qty	Steps
1	SDP.907.XX.XX.XXX.XXXX.X	1x	1
2	SDP.FFPIN	4x	3
3	WSSCSKPFH.XX	4x	3
4	LNKY.3	1x	4
5	Manual	1x	-



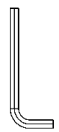
SDP.907.XX.XX.XXX.XXXX.X



SDP.FFPIN

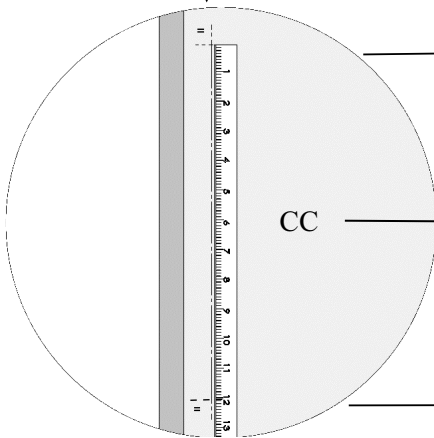
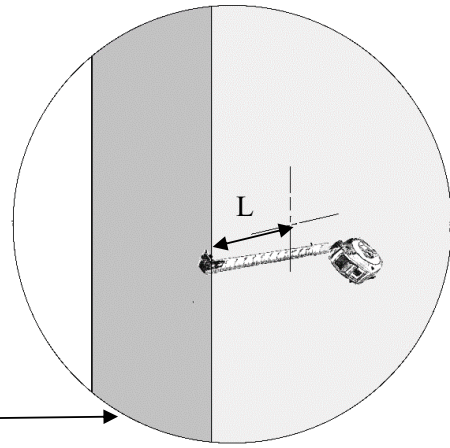
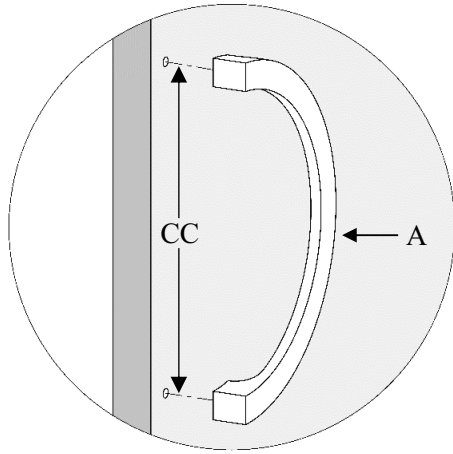


WSSCSKPFH.XX



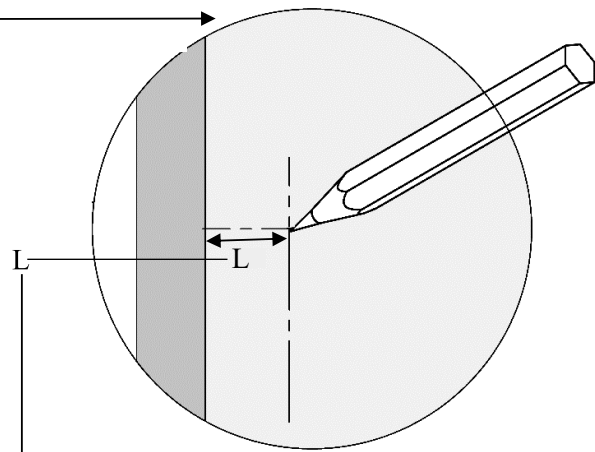
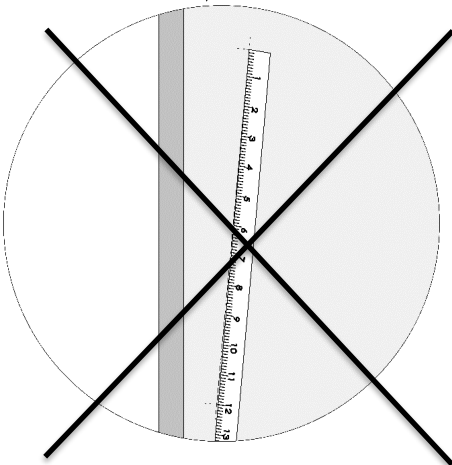
LNKY.3

STEP-1



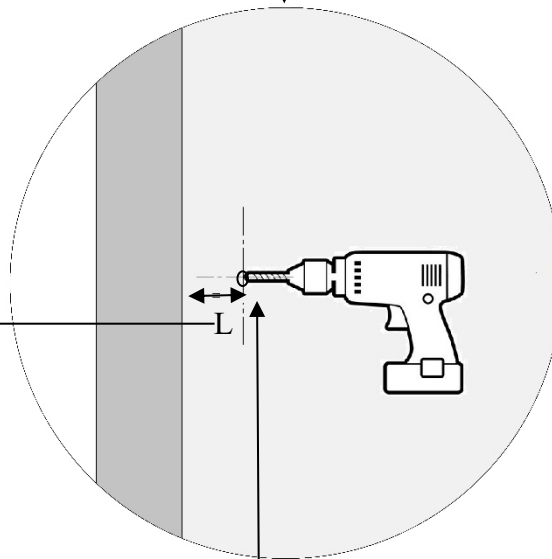
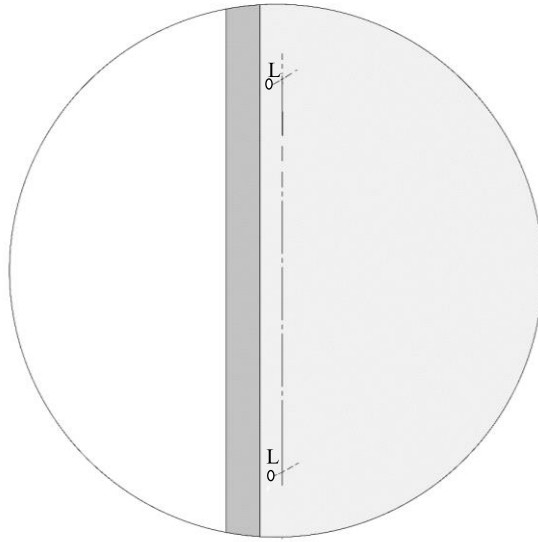
SDP.907.XX.XX.XXX.XXXX.X

Size:-CC OAL
 ↓ ↓
 6.62" 8"
 10.70" 12"
 13.74" 15"



8"OAL = 17mm (0.67")
 12"OAL = 17mm (0.67")
 15"OAL = 17mm (0.67")

STEP-2

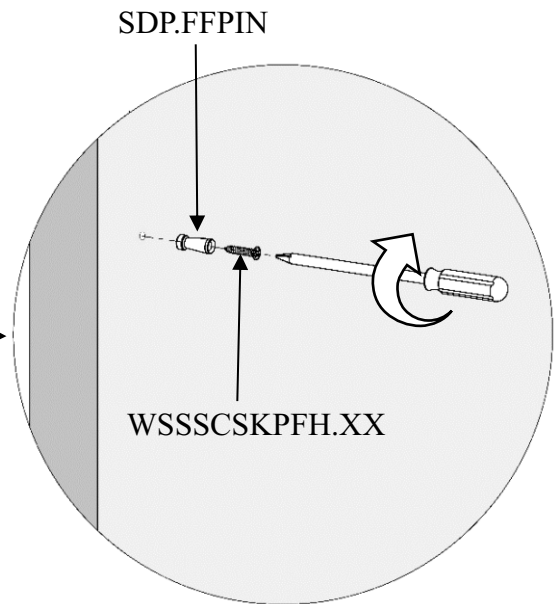
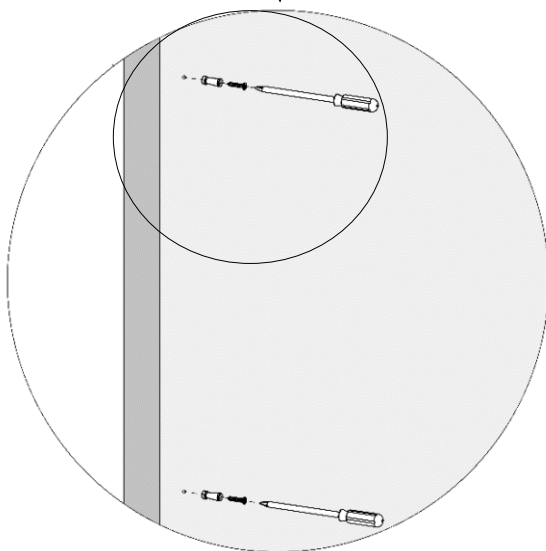
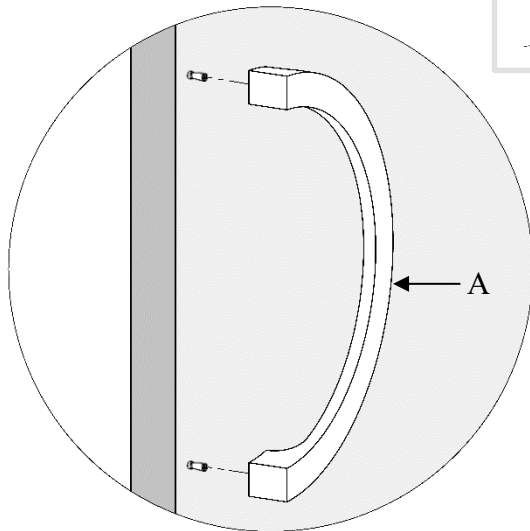
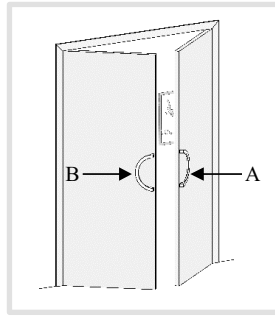


8"OAL = 17mm (0.67")
12"OAL = 17mm (0.67")
15"OAL = 17mm (0.67")

DRILL SIZE			
	Glass	Wood	Metal
SDP FF	N/A	1/10" (2.5mm)	N/A

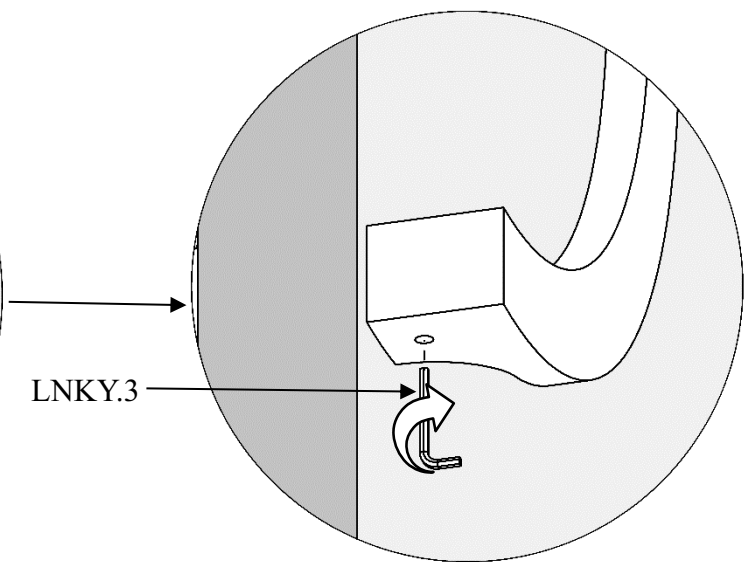
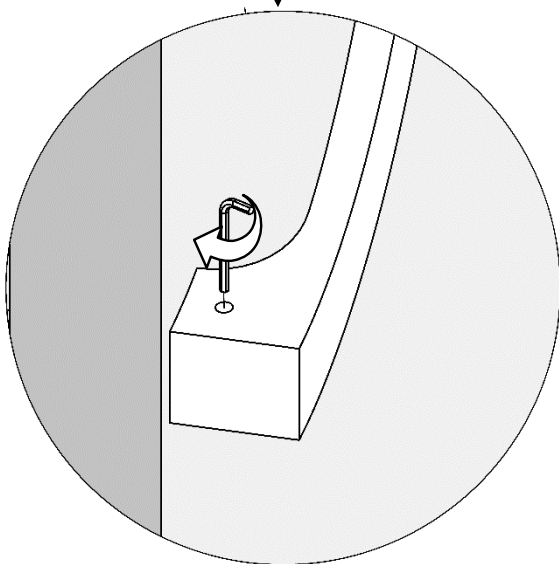
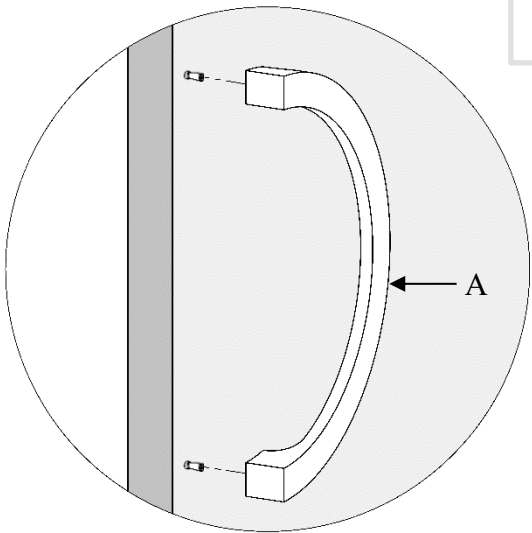
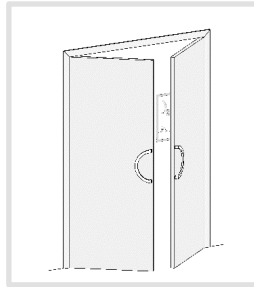
STEP-3

Step Wise Packing List			
S.No.	Part Number	Qty	Steps
2	SDP.FFPIN	4x	3
3	WSSSCSKPFH.XX	4x	3



STEP-4

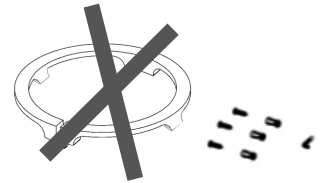
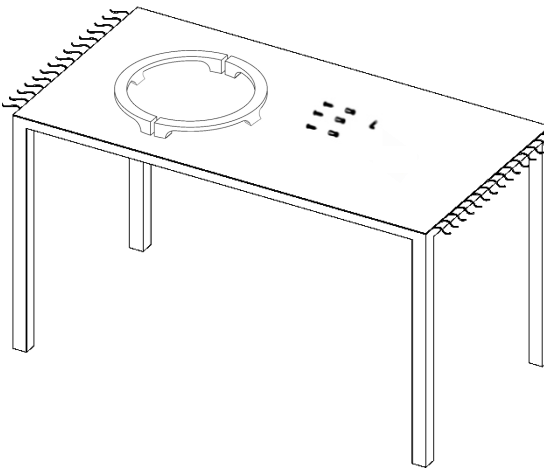
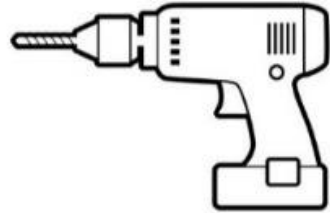
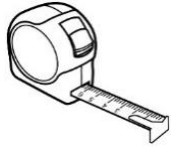
Step Wise Packing List			
S.No.	Part Number	Qty	Steps
4	LNKY.3	1x	4



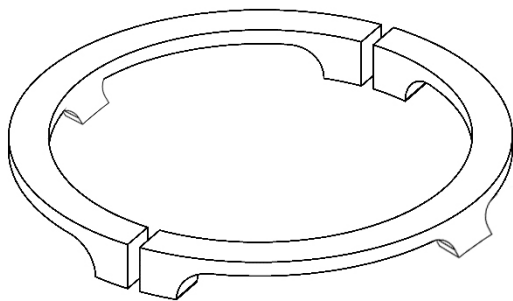
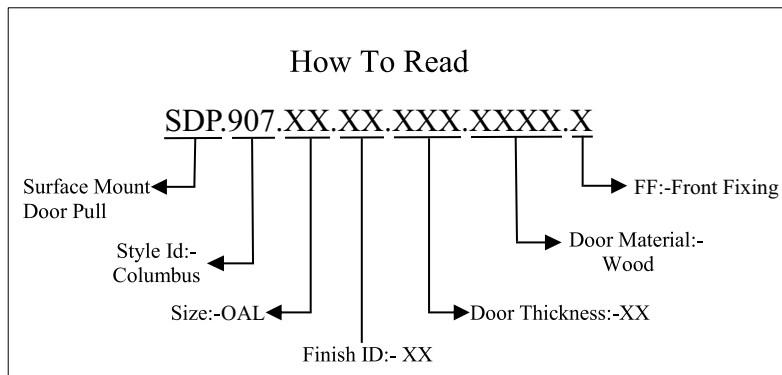
**SURFACE MOUNT FRONT FIXING
SIDE BY SIDE HANDLE ILLUSTRATED**



Required Tools



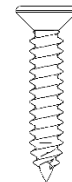
Step Wise Packing List			
S No	Part Number	Qty	Steps
1	SDP.907.XX.XX.XXX.XXXX.X	1x	1
2	SDP.FFPIN	6x	3
3	WSSSCSKPFH.XX	6x	3
4	LNKY.3	1x	4
5	Manual	1x	-



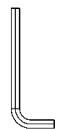
SDP.907.XX.XX.XXX.XXXX.X



SDP.FFPIN

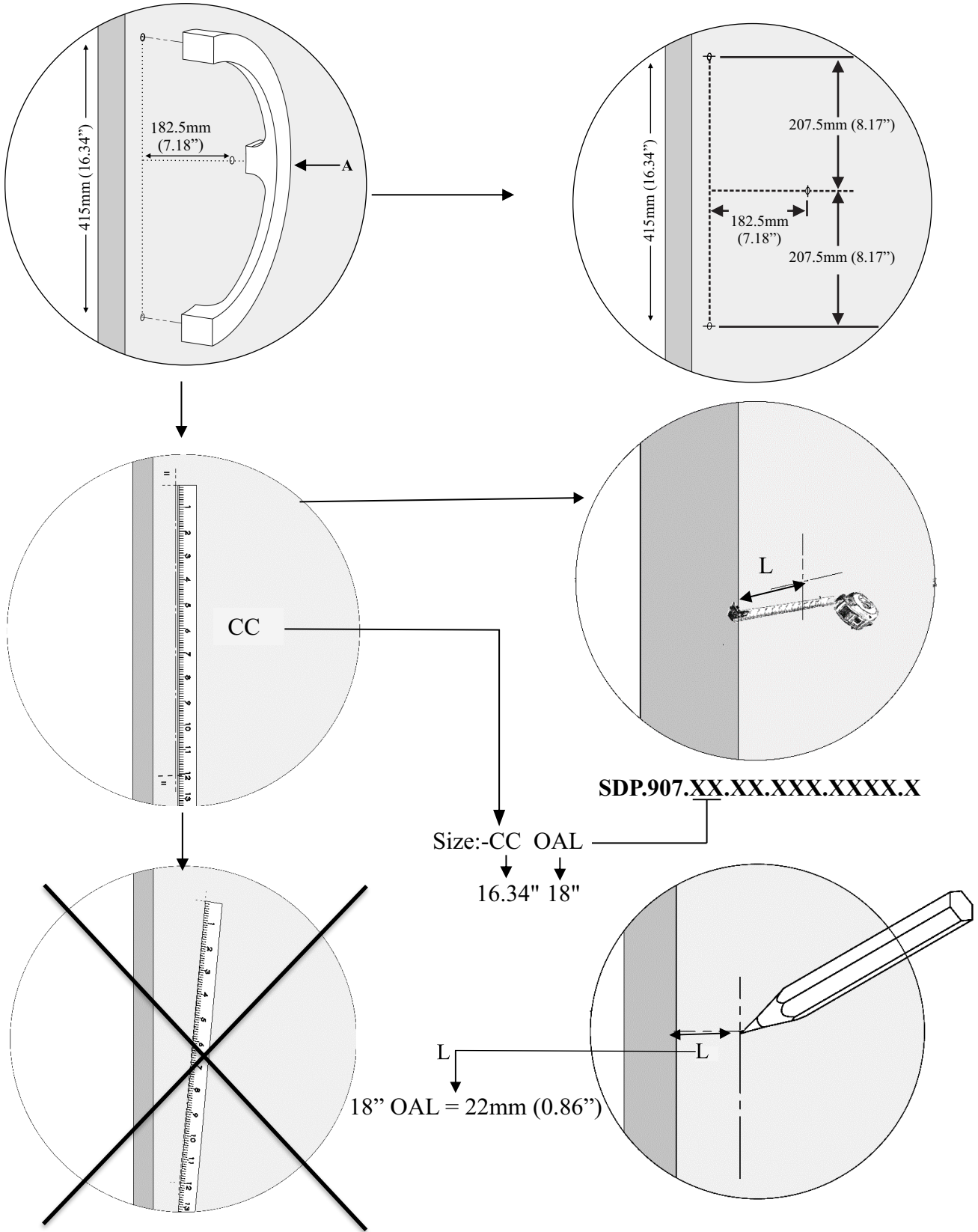


WSSSCSKPFH.XX

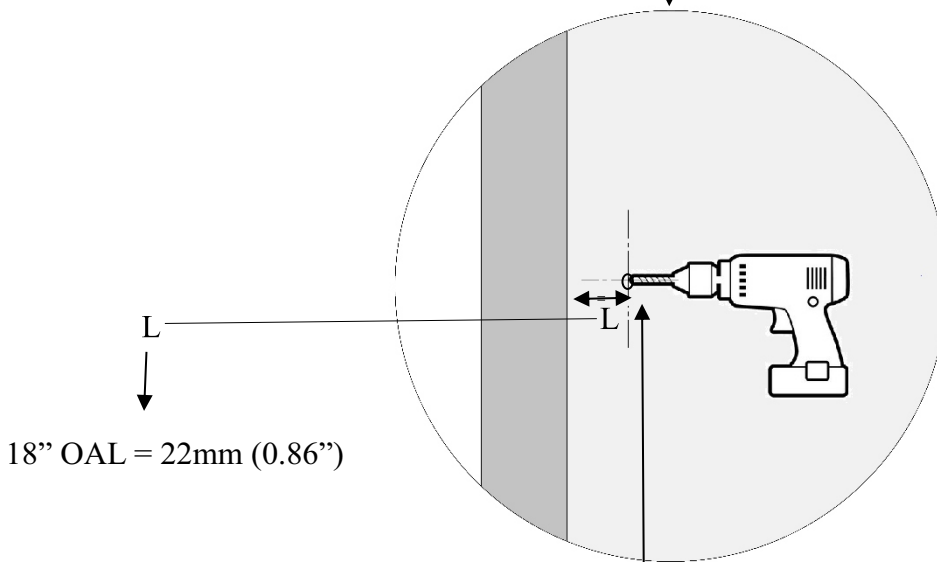
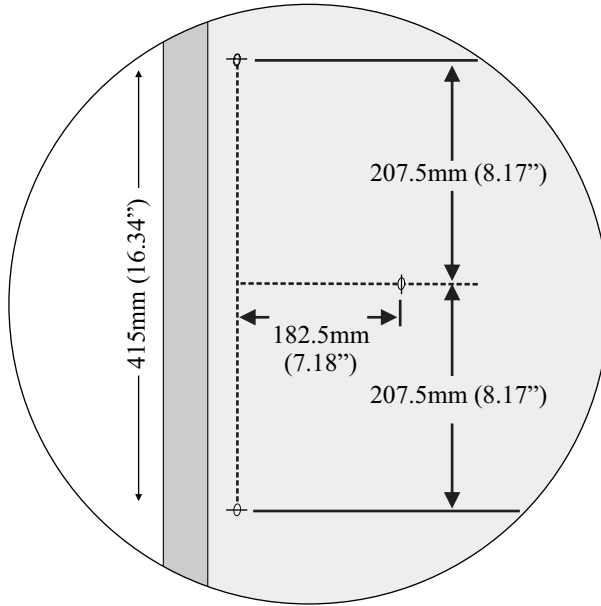


LNKY.3

STEP-1



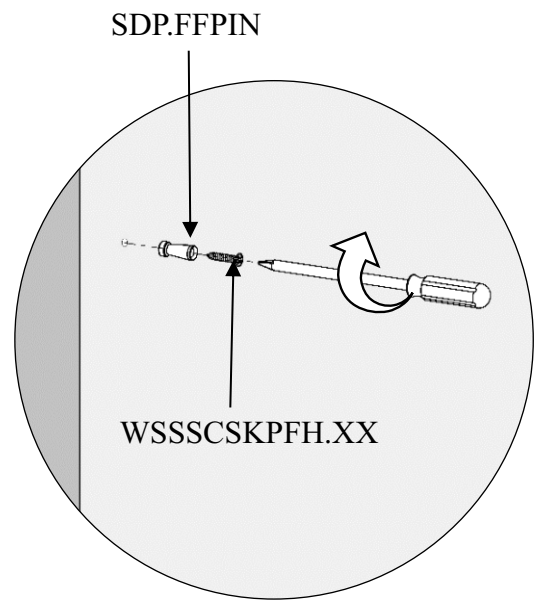
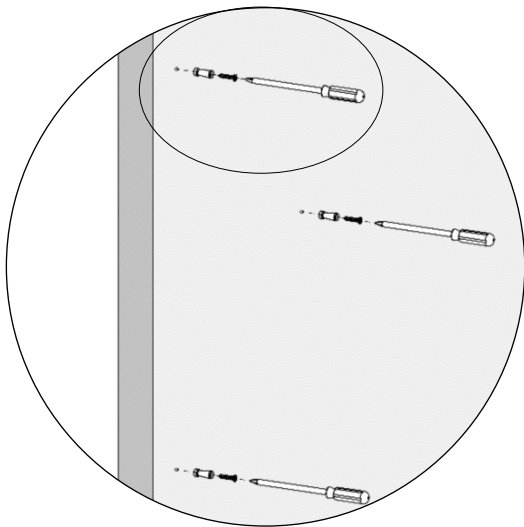
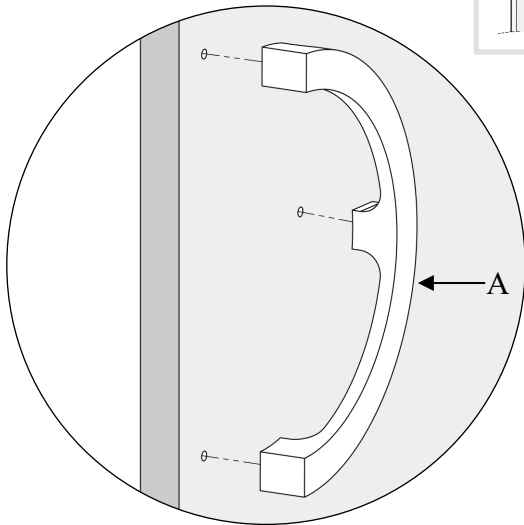
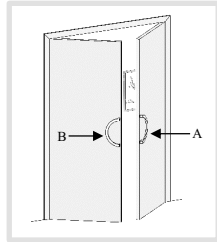
STEP-2



DRILL SIZE			
	Glass	Wood	Metal
SDP FF	N/A	1/10" (2.5mm)	N/A

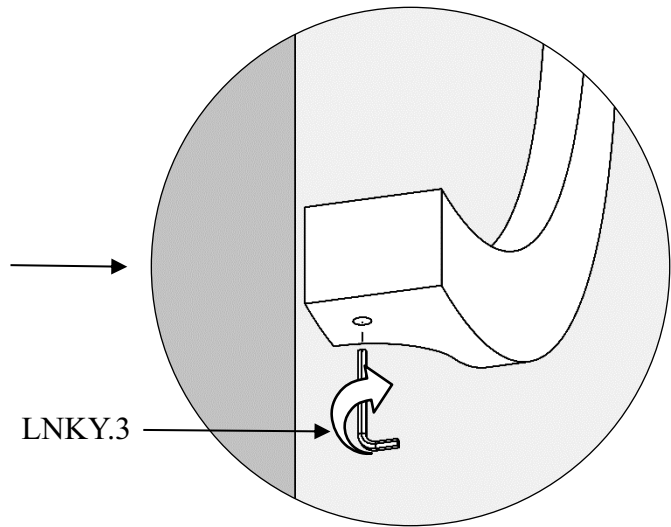
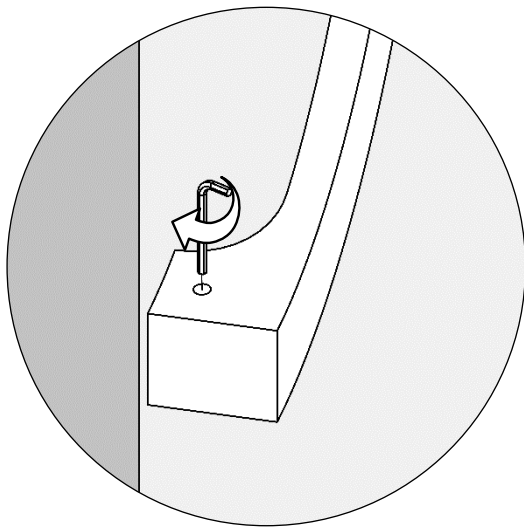
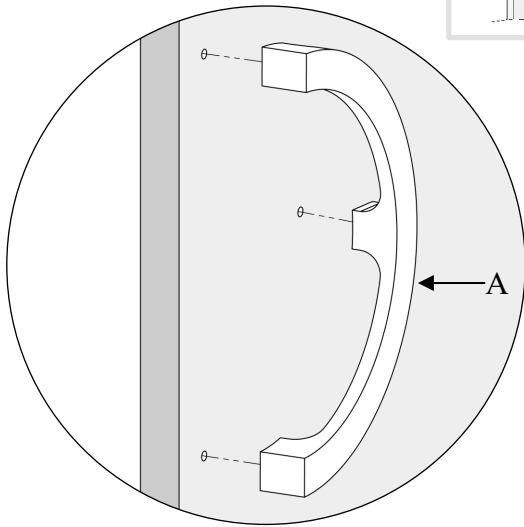
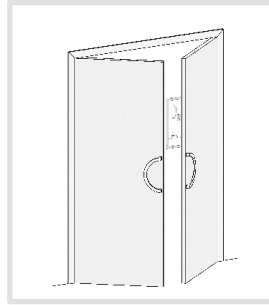
STEP-3

Step Wise Packing List			
S.No.	Part Number	Qty	Steps
2	SDP.FFPIN	6x	3
3	WSSSCSKPFH.XX	6x	3



STEP-4

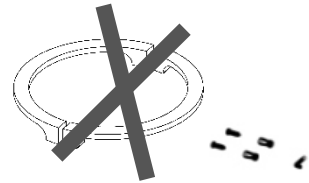
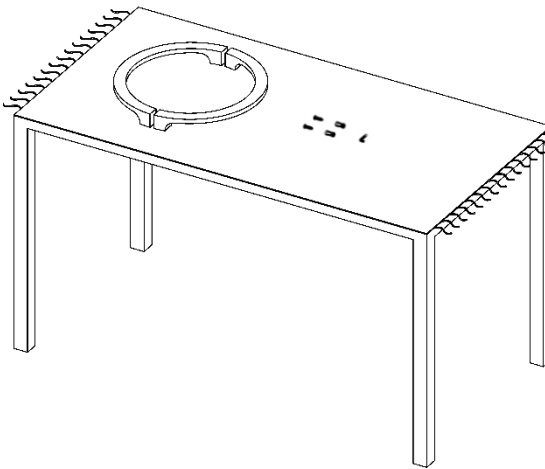
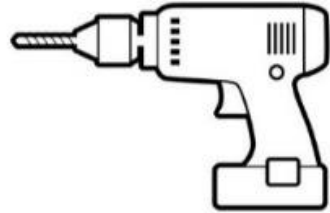
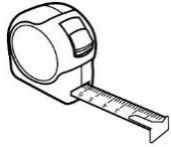
Step Wise Packing List			
S.No.	Part Number	Qty	Steps
4	LNKY.3	1x	4



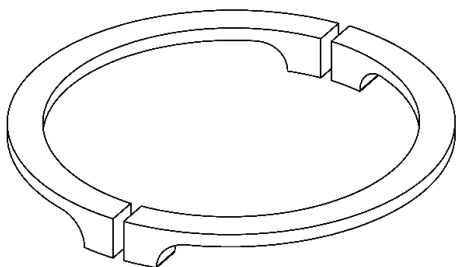
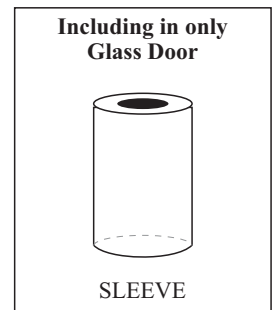
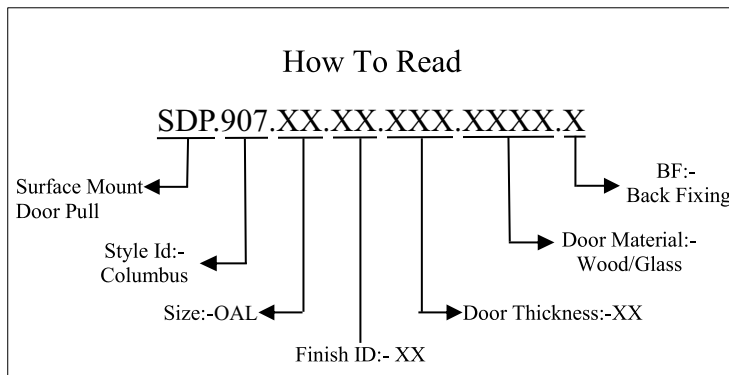
**SURFACE MOUNT BACK FIXING
SIDE BY SIDE HANDLE ILLUSTRATED**



Required Tools



Step Wise Packing List			
S No	Part Number	Qty	Steps
1	SDP.907.XX.XX.XXX.XXXX.X	1x	1
2	MSCCSKPH.XX	4x	3
3	SDP.BUSH	4x	3
4	LNKY.5	1x	3
5	SDP.CAP	4x	4
6	Manual	1x	-



SDP.907.XX.XX.XXX.XXXX.X



MSCCSKPH.XX



SDP.BUSH

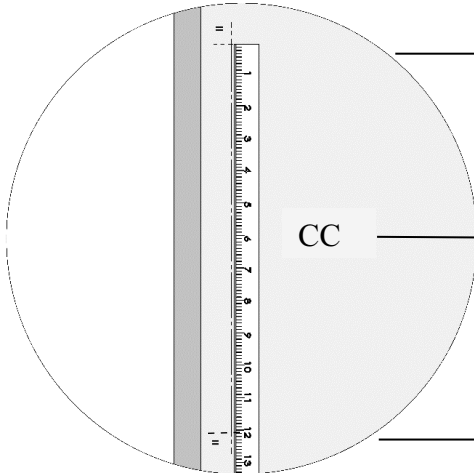
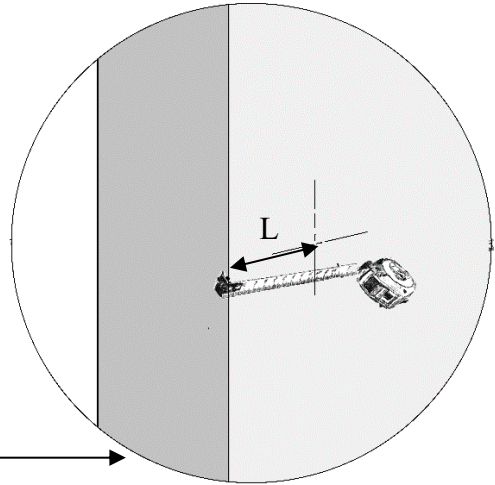
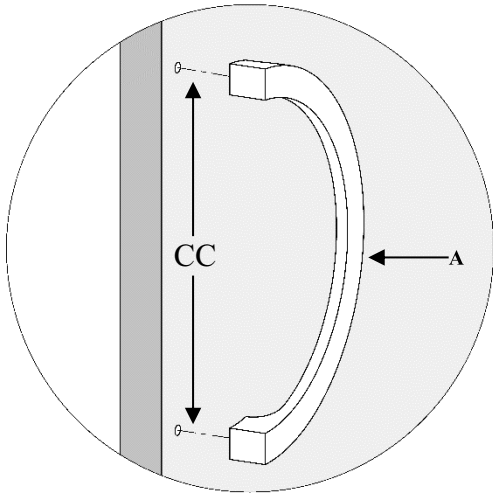


LNKY.5



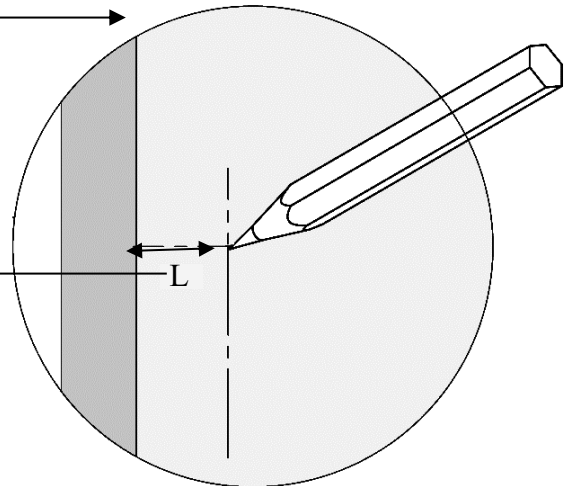
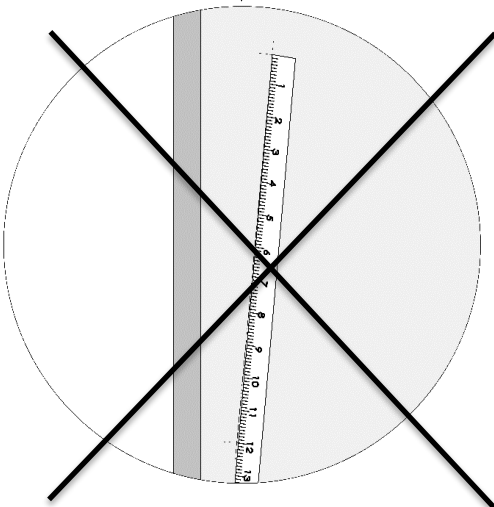
SDP.CAP

STEP-1



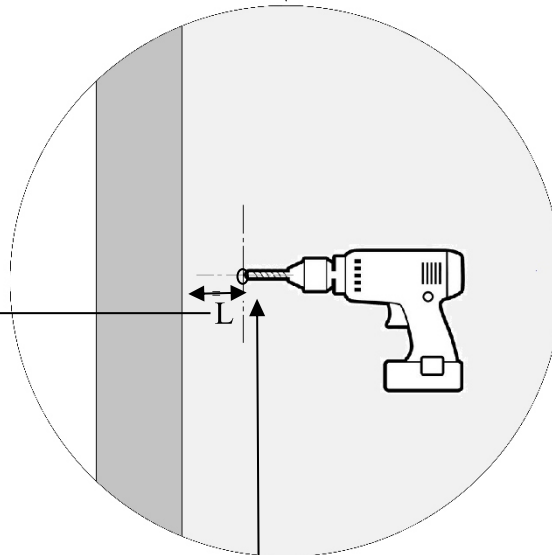
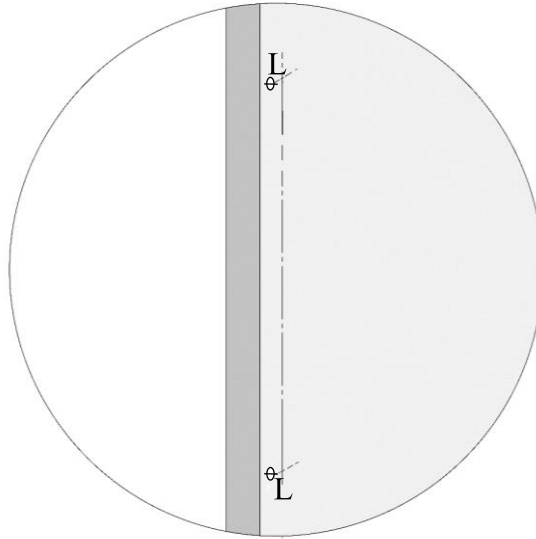
SDP.907.XX.XX.XXX.XXXX.X

Size:-CC OAL
 ↓ ↓
 6.62" 8"
 10.70" 12"
 13.74" 15"



8"OAL = 17mm (0.67")
 12"OAL = 17mm (0.67")
 15"OAL = 17mm (0.67")

STEP-2

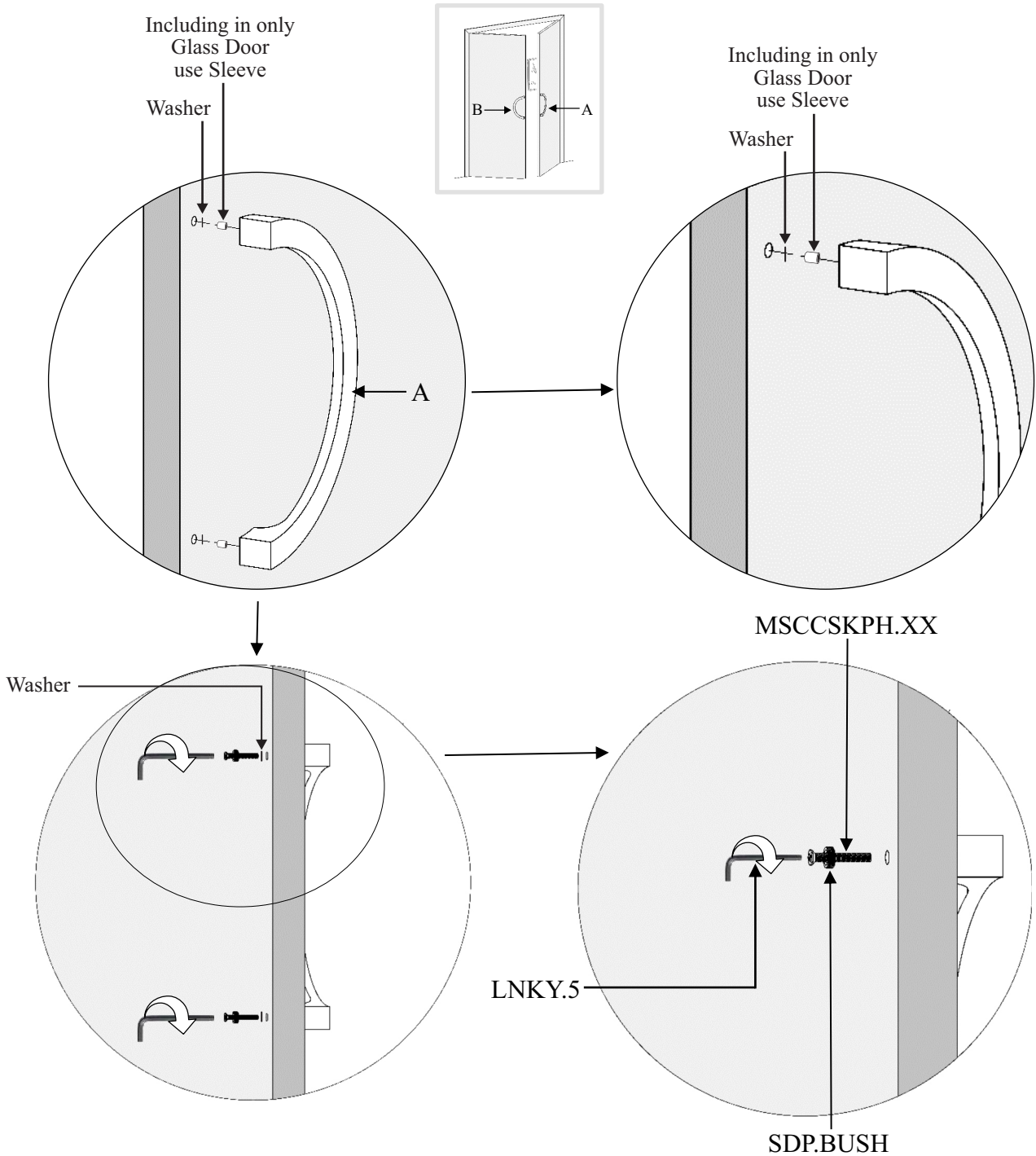


L
 ↓
 8"OAL = 17mm (0.67")
 12"OAL = 17mm (0.67")
 15"OAL = 17mm (0.67")

DRILL SIZE			
	Glass	Wood	Metal
SDP BF	3/8" (9.5mm)	1/4" (6.4mm)	1/4" (6.4mm)

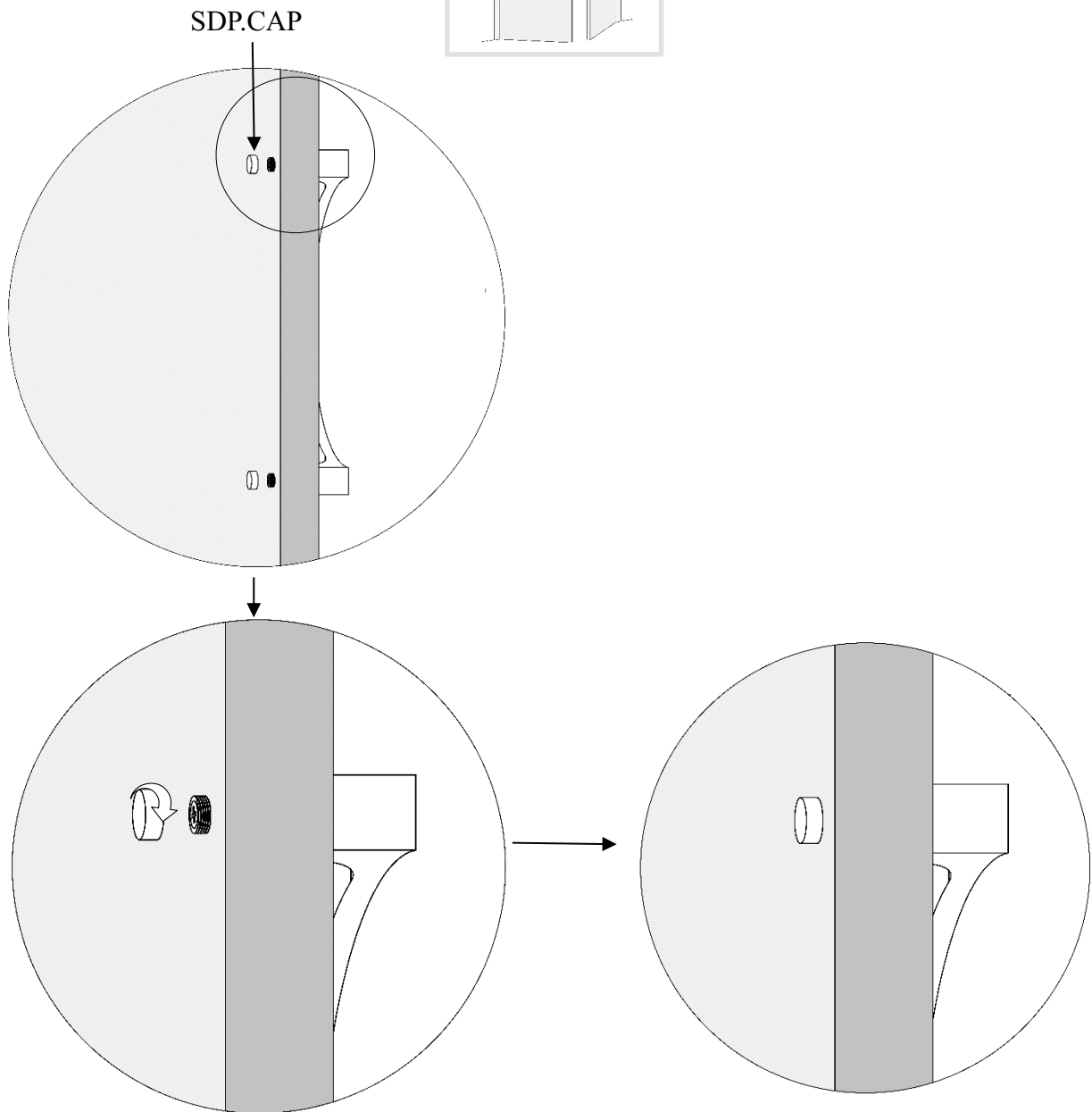
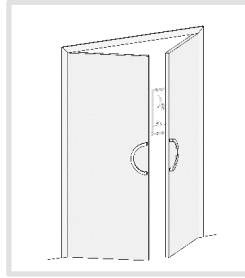
STEP-3

Step Wise Packing List			
S.No.	Part Number	Qty	Steps
2	MSCCSKPH.XX	4x	3
3	SDP.BUSH	4x	3
4	LNKY .5	1x	3



STEP-4

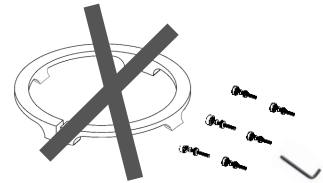
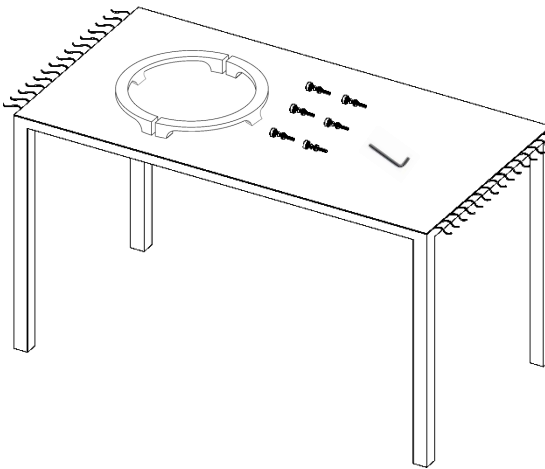
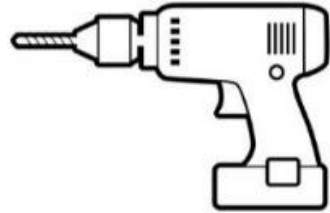
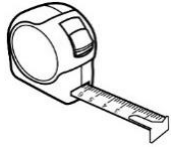
Step Wise Packing List			
S.No.	Part Number	Qty	Steps
5	SDP.CAP	2x	4



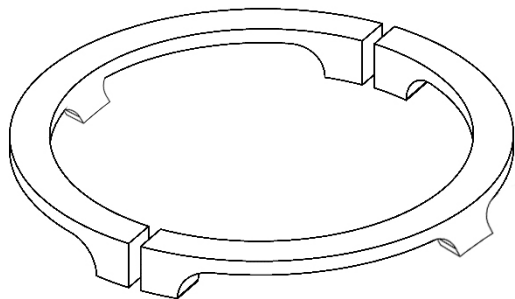
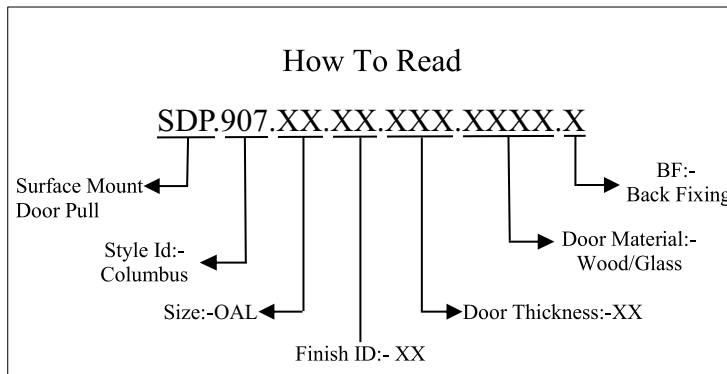
**SURFACE MOUNT BACK FIXING
SIDE BY SIDE HANDLE ILLUSTRATED**



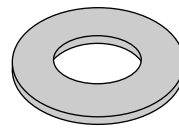
Required Tools



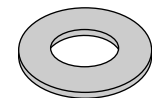
Step Wise Packing List			
S.No.	Part Number	Qty	Steps
1	SDP.907.XX.XX.XXX.XXXX.X	1x	1
2	MSCCSKPH.XX	6x	3
3	SDP.BUSH	6x	3
4	LNKY .5	1x	3
5	WASHER .20	6x	3
6	WASHER .38	6x	3
7	SDP.CAP	6x	4
8	Manual	1x	-



SDP.907.XX.XX.XXX.XXXX.X



WASHER.38



WASHER.20



MSCCSKPH.XX



SDP.BUSH

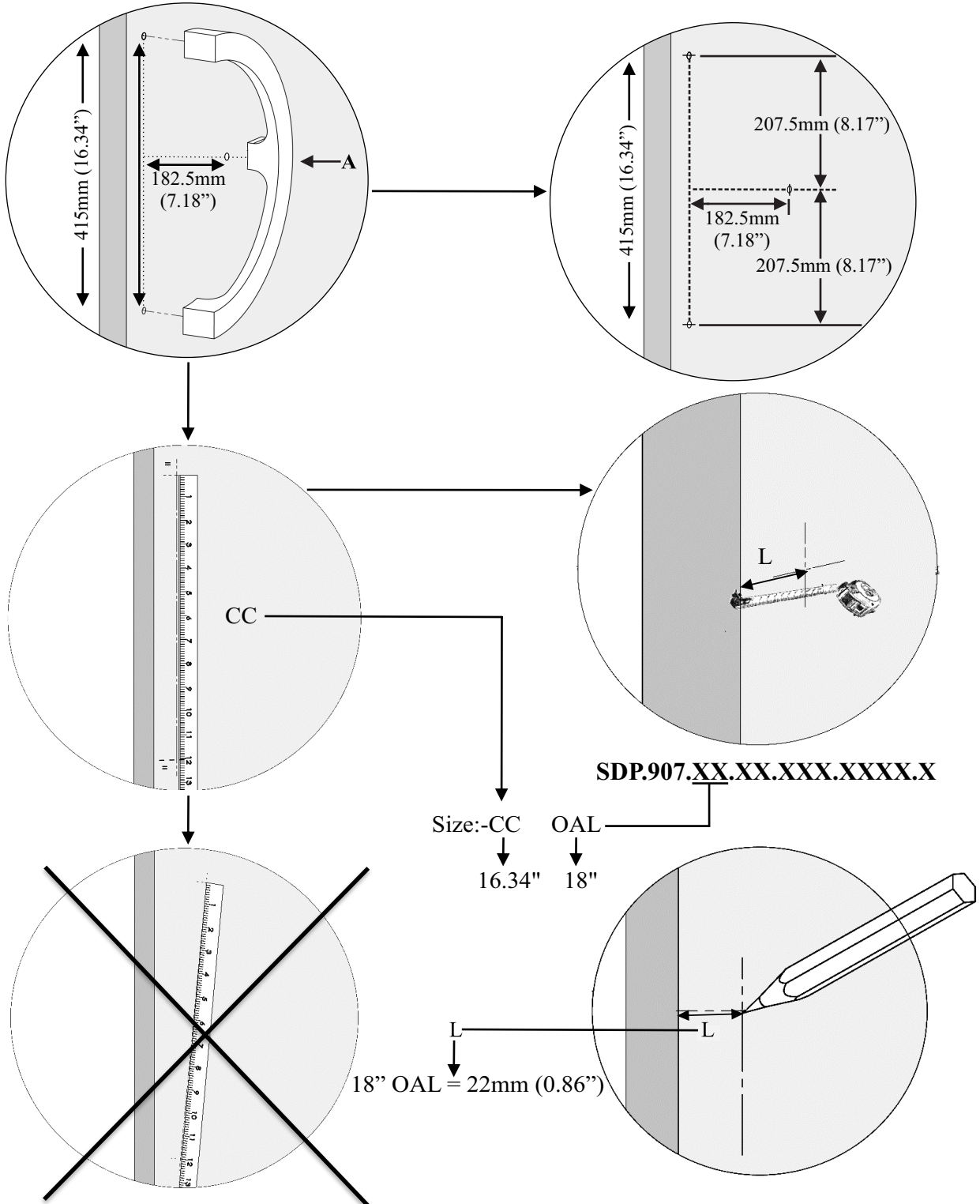


LNKY.5

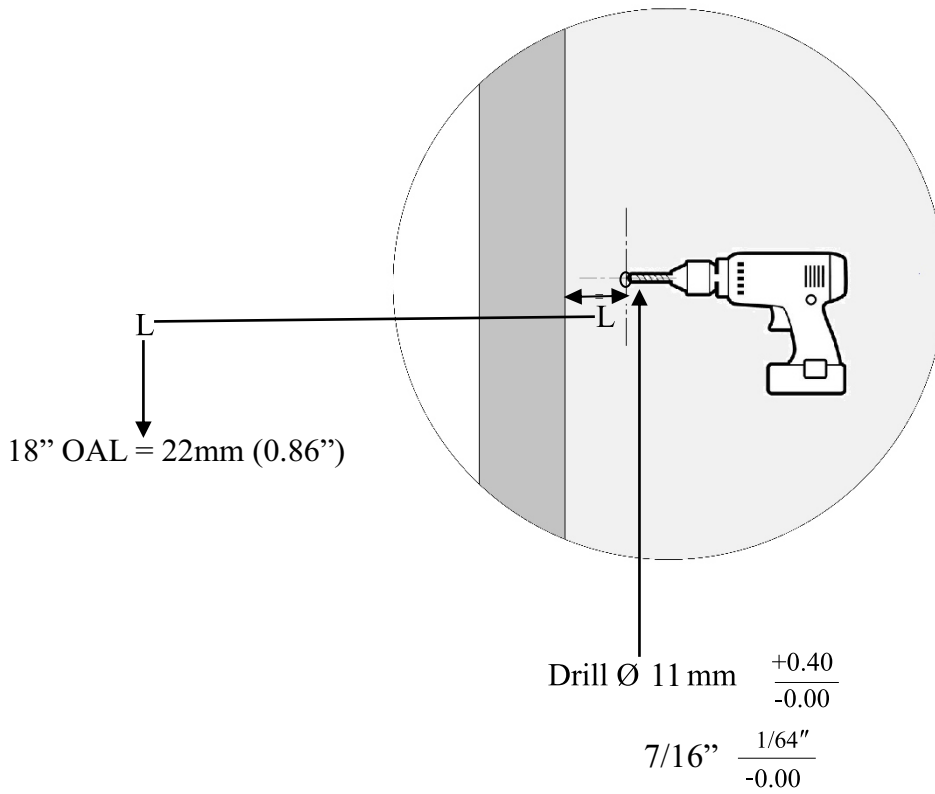
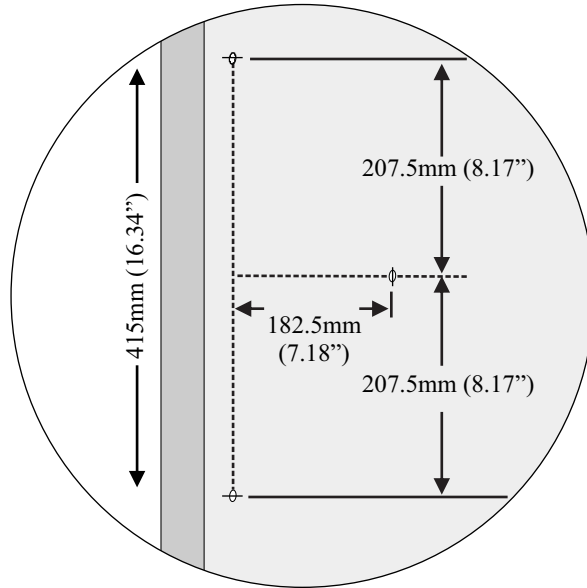


SDP.CAP

STEP-1

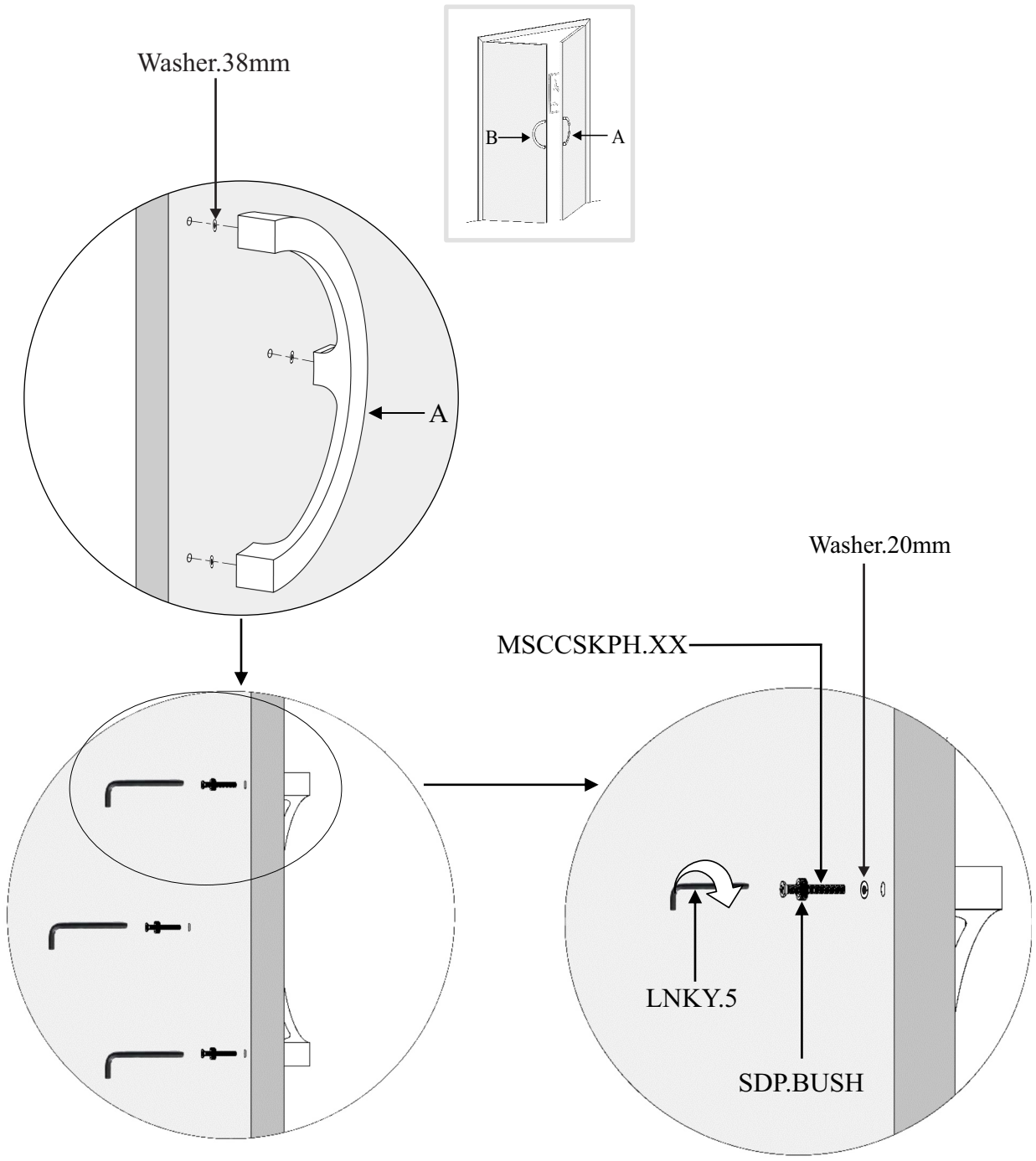


STEP-2



STEP-3

Step Wise Packing List			
S.No.	Part Number	Qty	Steps
2	MSCCSKPH.XX	6x	3
3	SDP.BUSH	6x	3
4	LNKY .5	1x	3
5	WASHER .20	6x	3
6	WASHER .38	6x	3



STEP-4

Step Wise Packing List			
S.No.	Part Number	Qty	Steps
7	SDP.CAP	6x	4

