



Matte Black (Finish ID:19)

## MAUI DOOR PULL SURFACE MOUNT

	Item Code	Size (mm & Inches)	Material	Size (Inches)				Fig.
				A	B	C	D	
1	SDP.885.51".XX.XXX.XXXX.X	1295.4mm (51")	Brass	50.9	9.33	23.62	5.91	1
2	SDP.885.51".XX.XXX.XXXX.X	1295.4mm (51")	Bronze	50.9	9.33	23.62	5.91	1

"XX" in item code denotes Finish ID.

"XXX" in item code denotes Door Thickness.

"XXXX" in item code denotes Door Material.

"X" in item code denotes Front Fix or Back Fix.

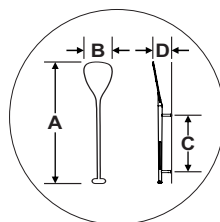
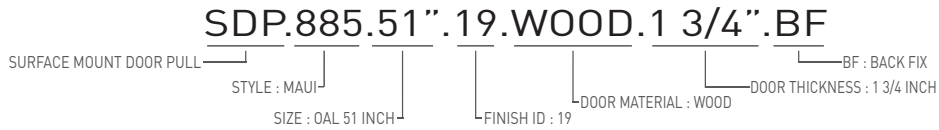


FIG. 1

This product is Supplied with Based on Front Fix or Back Fix Order.

## How to Order



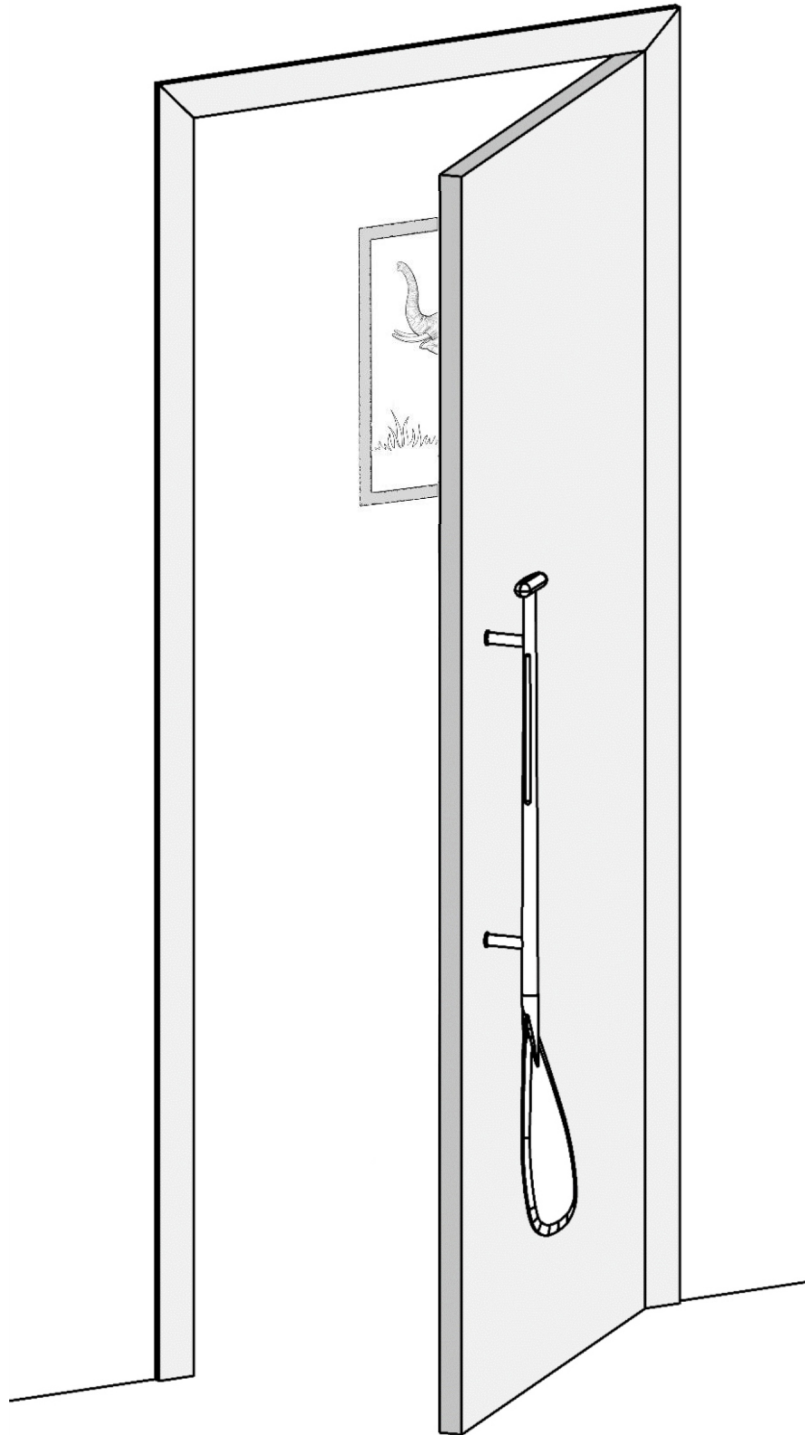
## Maui Door Pull Surface Mount Finish Options

Base Material : Brass	Standard Finishes (2-3 Weeks Delivery)					
<table style="width: 100%; border: none;"> <tr> <td style="width: 20%; text-align: center; padding: 5px;">Brush Nickel (Finish ID:3)</td> <td style="width: 20%; text-align: center; padding: 5px;">Aged Brass (Finish ID:4)</td> <td style="width: 20%; text-align: center; padding: 5px;">Unlacquered Polished Brass (Finish ID:7U)</td> <td style="width: 20%; text-align: center; padding: 5px;">Polished Nickel (Finish ID:8)</td> <td style="width: 20%; text-align: center; padding: 5px;">Satin Brass (Finish ID:13)</td> </tr> </table>		Brush Nickel (Finish ID:3)	Aged Brass (Finish ID:4)	Unlacquered Polished Brass (Finish ID:7U)	Polished Nickel (Finish ID:8)	Satin Brass (Finish ID:13)
Brush Nickel (Finish ID:3)	Aged Brass (Finish ID:4)	Unlacquered Polished Brass (Finish ID:7U)	Polished Nickel (Finish ID:8)	Satin Brass (Finish ID:13)		
Base Material : Brass	Custom Finishes (3-4 Weeks Delivery)*					
<table style="width: 100%; border: none;"> <tr> <td style="width: 50%; text-align: center; padding: 5px;">Lacquered Polished Brass (Finish ID:7L)</td> <td style="width: 50%; text-align: center; padding: 5px;">Matte Black (Finish ID:19)</td> </tr> </table>		Lacquered Polished Brass (Finish ID:7L)	Matte Black (Finish ID:19)			
Lacquered Polished Brass (Finish ID:7L)	Matte Black (Finish ID:19)					
Base Material : Bronze	Custom Finishes (3-4 Weeks Delivery)*					
<table style="width: 100%; border: none;"> <tr> <td style="width: 50%; text-align: center; padding: 5px;">Silicon Bronze Light (Finish ID:53)</td> <td style="width: 50%; text-align: center; padding: 5px;">White Bronze (Finish ID:54)</td> </tr> </table>		Silicon Bronze Light (Finish ID:53)	White Bronze (Finish ID:54)			
Silicon Bronze Light (Finish ID:53)	White Bronze (Finish ID:54)					

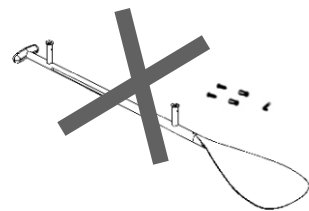
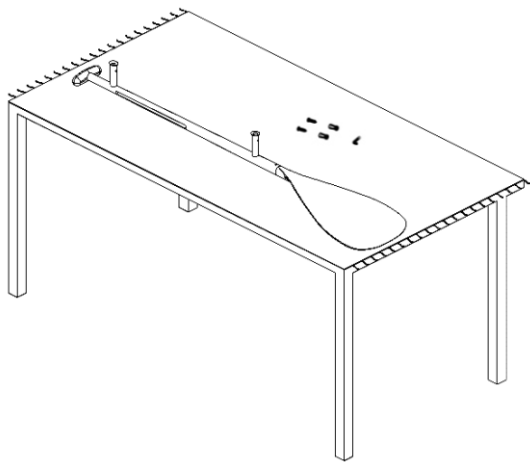
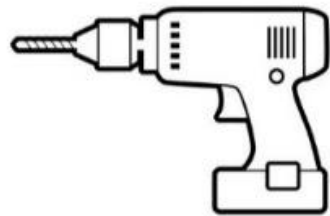
<b>Front Fix (FF)</b>	
Door Material	Door Thickness
1. Wood	1", 1 1/4", 1 1/2", 1 3/4", 2", 2 1/4", 2 1/2"
2. Metal	1", 1 1/4", 1 1/2", 1 3/4", 2", 2 1/4", 2 1/2"
<b>Back Fix (BF)</b>	
Door Material	Door Thickness
1. Wood	5/16", 3/8", 1/2", 3/4", 1", 1 1/4", 1 1/2", 1 3/4", 2", 2 1/4", 2 1/2"
2. Metal	5/16", 3/8", 1/2", 3/4", 1", 1 1/4", 1 1/2", 1 3/4", 2", 2 1/4", 2 1/2"
3. Glass	5/16", 3/8", 1/2", 3/4", 1"

- Custom finishes cannot be returned or refunded. We are unable to accept cancellations for custom finish order unless within 48 hours of the order being placed.
- We have uniform pricing for all non-hammered finishes listed above as long as base material and size is same.
- Contact us for customized finishes, refer pages F1, F2, F3 & F4 for finish glossary.

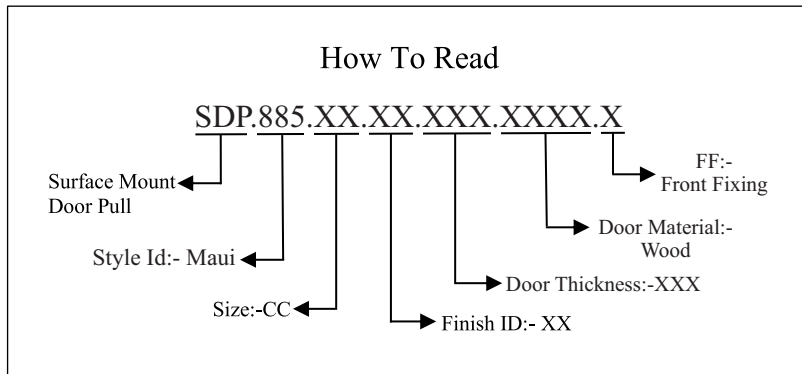
**SURFACE MOUNT FRONT FIXING  
HANDLE ILLUSTRATED**



Required Tools



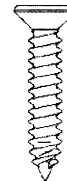
Step Wise Packing List			
S. No.	Part Number	Qty.	Steps
1	SDP.885.XX.XX.XXX.XXXX.X	1x	1
2	SDP.FFPIN	2x	3
3	WSSSCSKPFH.XX	2x	3
4	LNKY. 2.5	1x	4
5	Manual	1x	-



SDP.885.XX.XX.XXX.XXXX.X



SDP.FFPIN

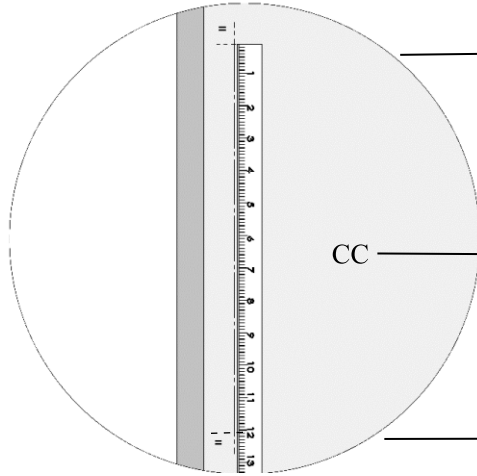
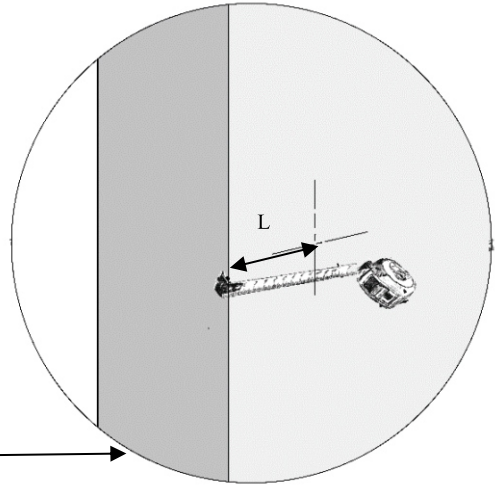
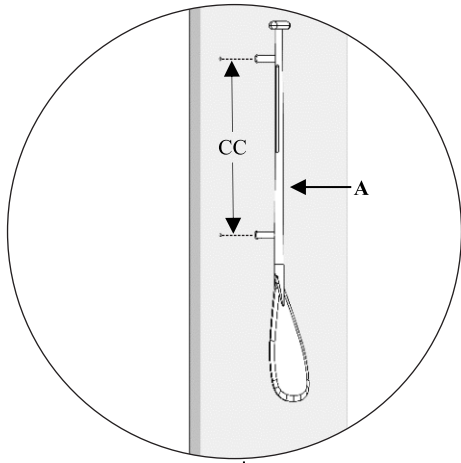


WSSSCSKPFH.XX



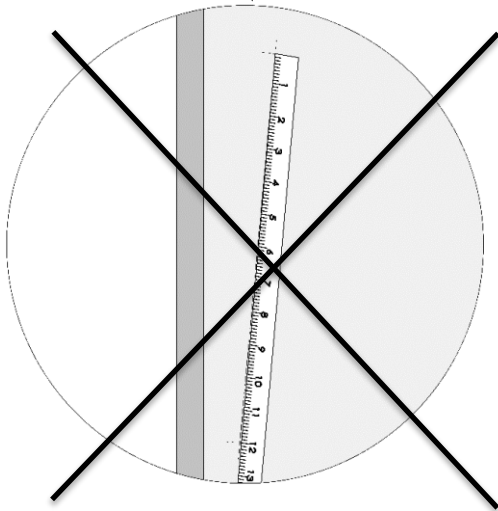
LNKY. 2.5

STEP-1

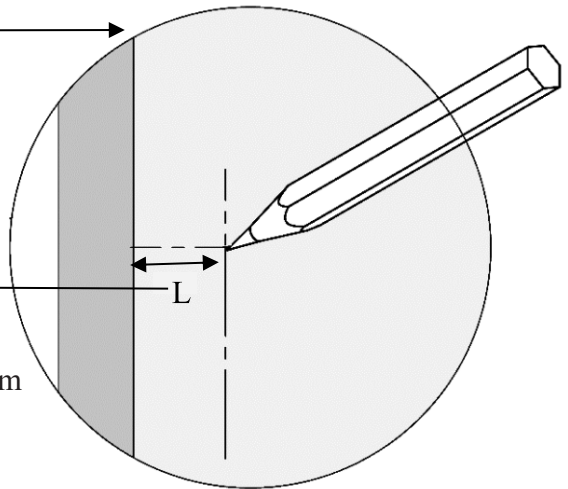


SDP.885.XX.XX.XXX.XXXX.X

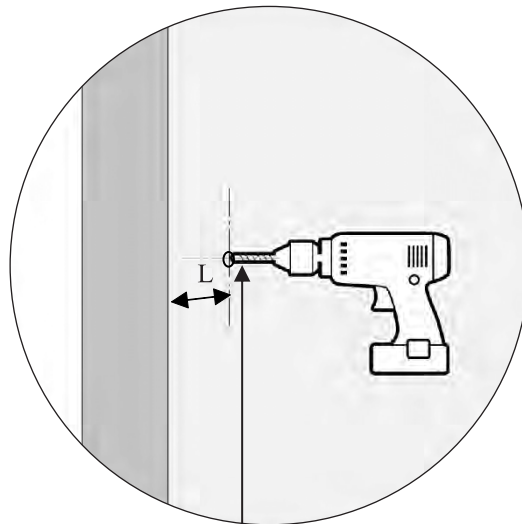
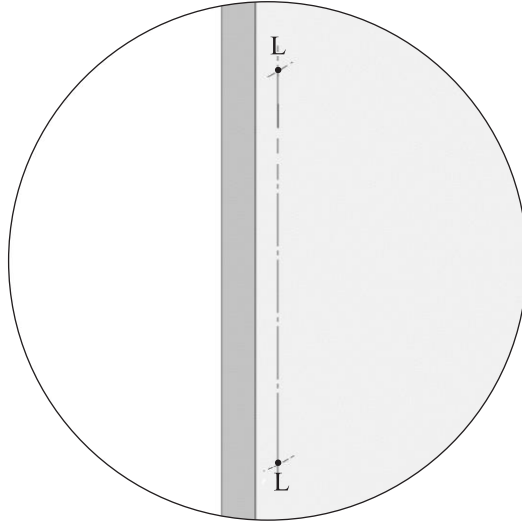
Size:-CC OAL  
23.62" 51"



L  
51"OAL=124mm



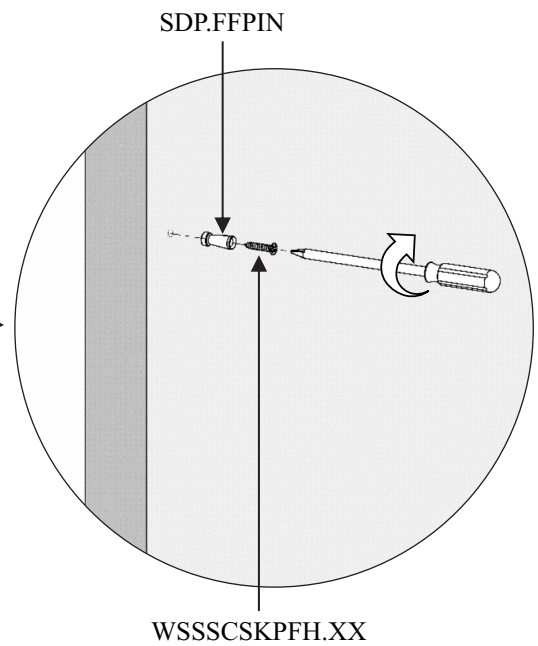
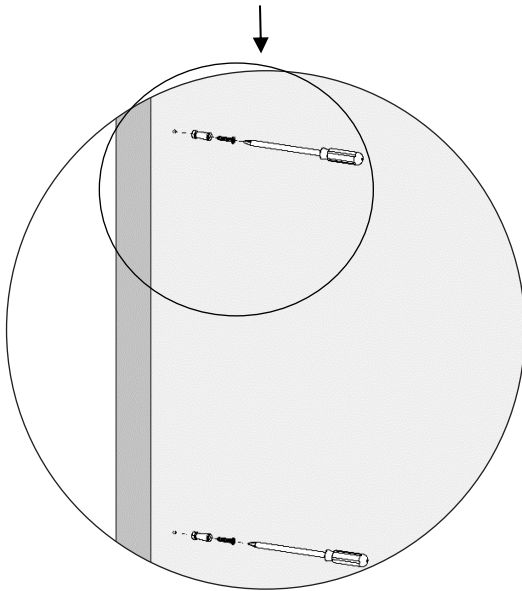
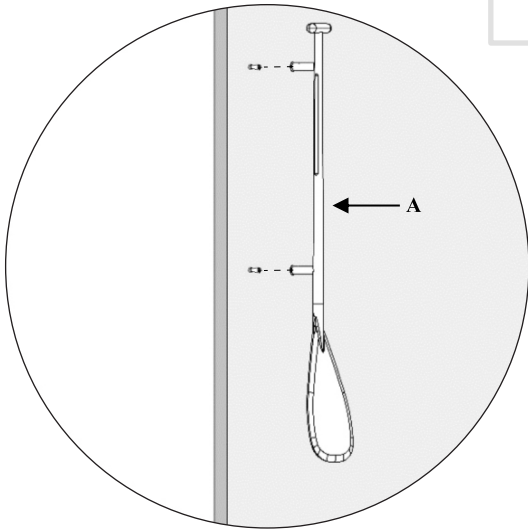
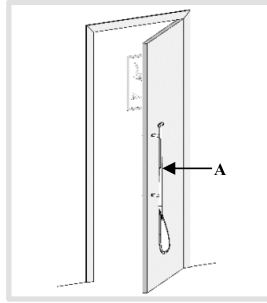
STEP-2



DRILL SIZE			
	Glass	Wood	Metal
SDP FF	N/A	1/10" (2.5mm)	N/A

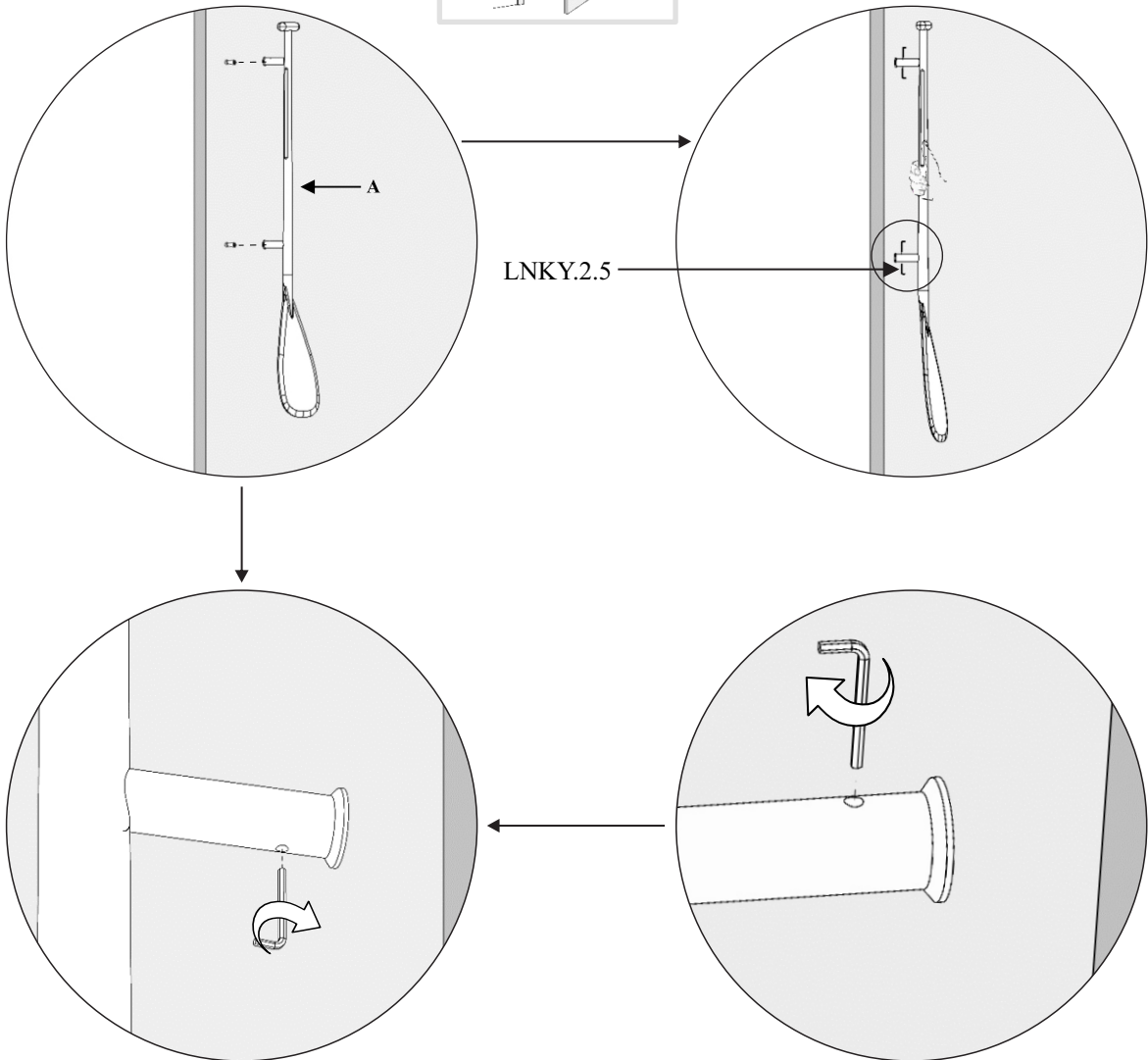
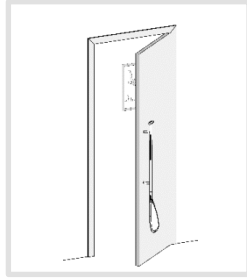
STEP-3

Step Wise Packing List			
S. No.	Part Number	Qty.	Steps
2	SDP.FFPIN	2x	3
3	WSSCSKPFH.XX	2x	3

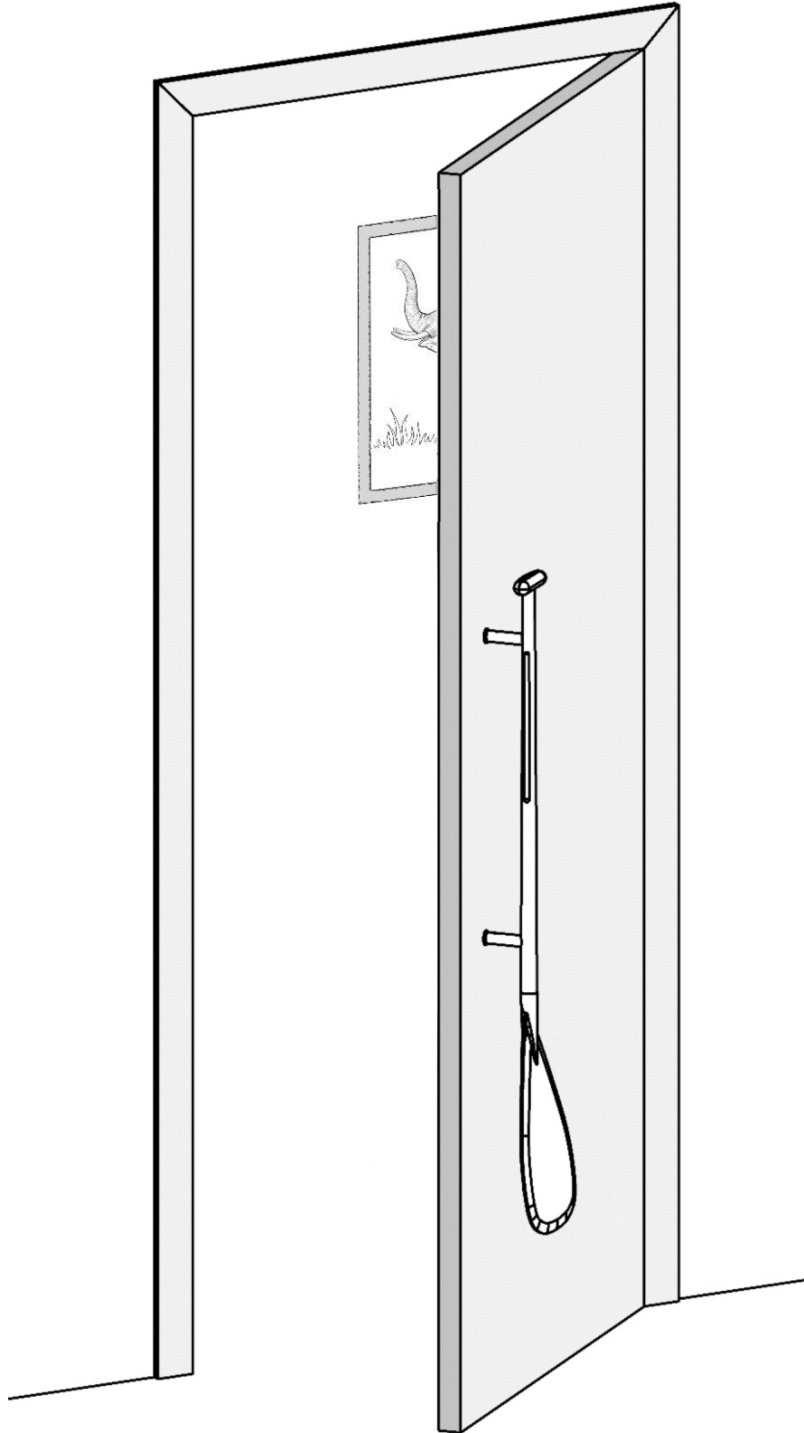


STEP-4

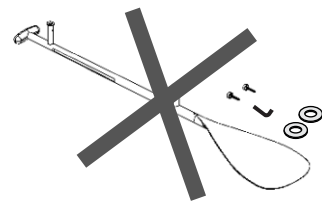
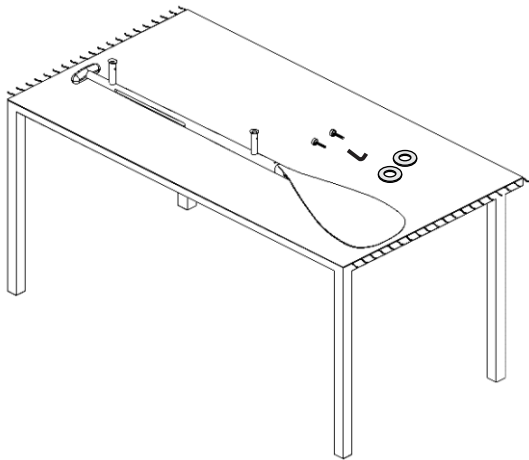
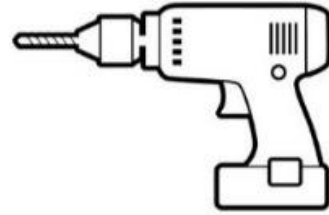
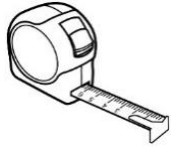
Step Wise Packing List			
S. No.	Part Number	Qty.	Steps
4	LNKY. 2.5	1x	4



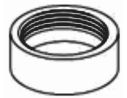
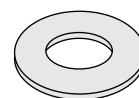
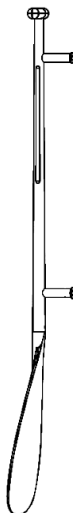
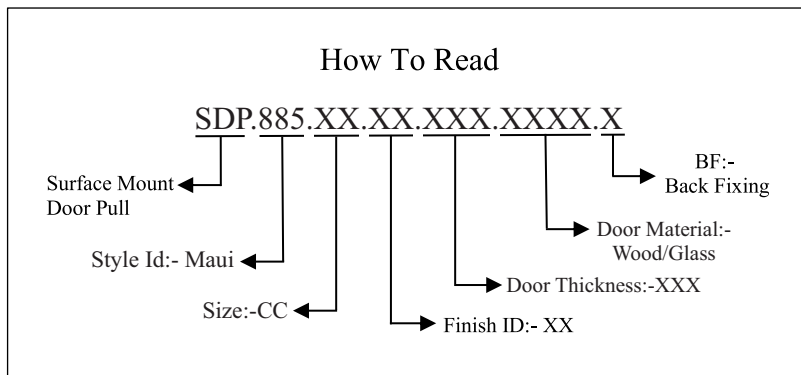
**SURFACE MOUNT BACK FIXING  
HANDLE ILLUSTRATED**



Required Tools



Step Wise Packing List			
S. No.	Part Number	Qty.	Steps
1	SDP.885.XX.XX.XXX.XXXX.X	1x	1
2	SLEEVE	1x	3
3	MSCCSKPH.XX	2x	3
4	SDP.BUSH	2x	3
5	LNKY.4	1x	3
6	WASHER	2x	3
7	SDP.CAP	2x	4
8	Manual	1x	-



SDP.885.XX.XX.XXX.XXXX.X

MSCCSKPH.XX

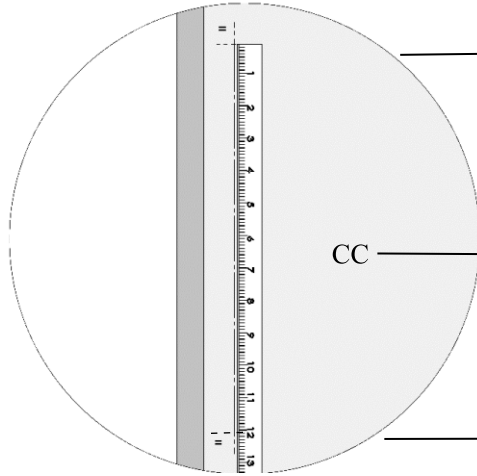
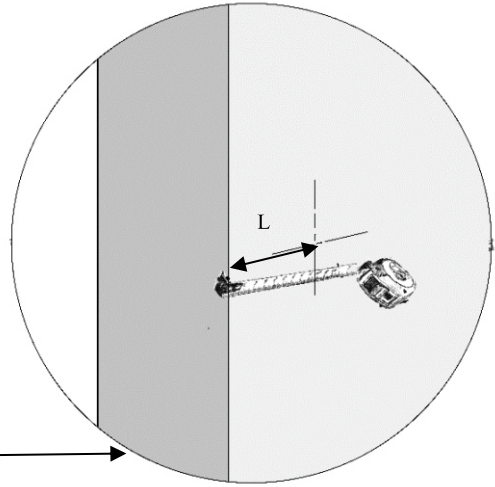
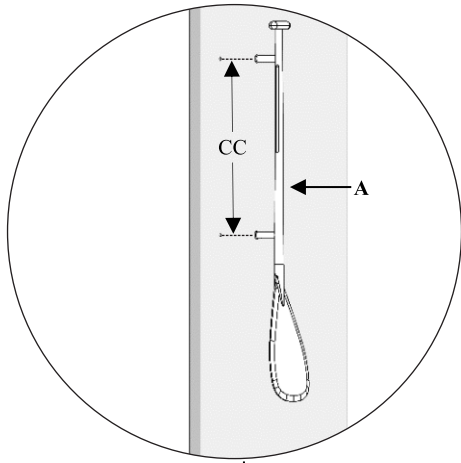
SDP.BUSH

LNKY 4

WASHER

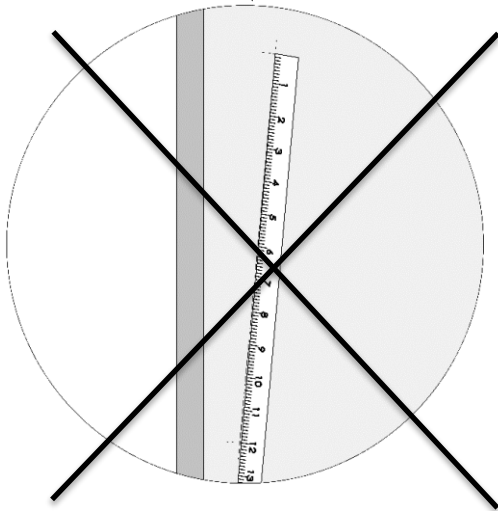
SDP.CAP

STEP-1

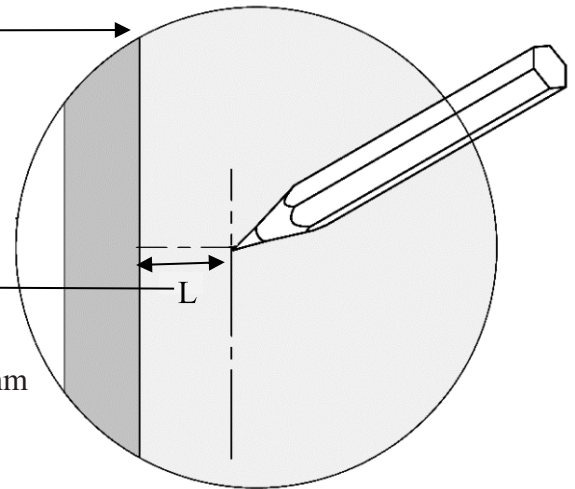


SDP.885.XX.XX.XXX.XXXX.X

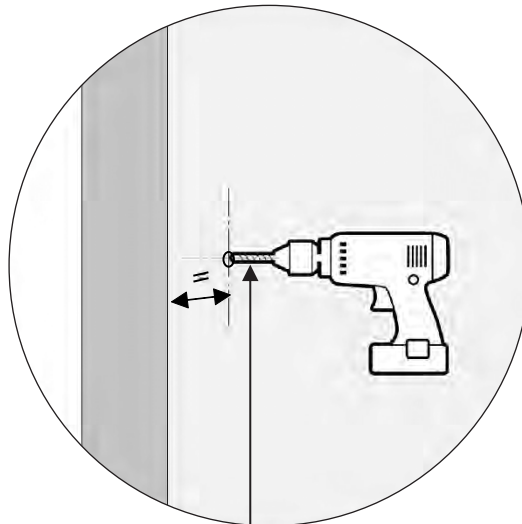
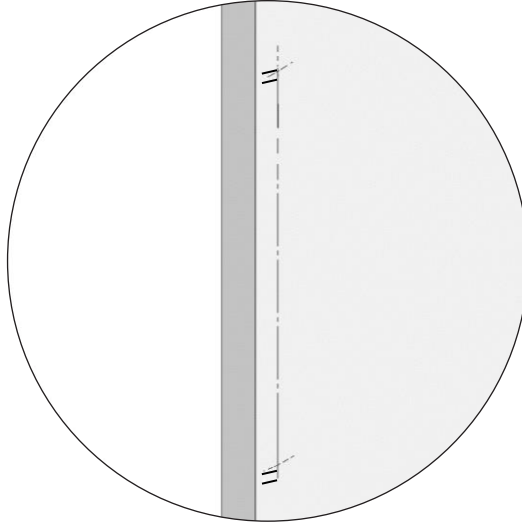
Size:-CC OAL  
23.62" 51"



L  
51"OAL=124mm



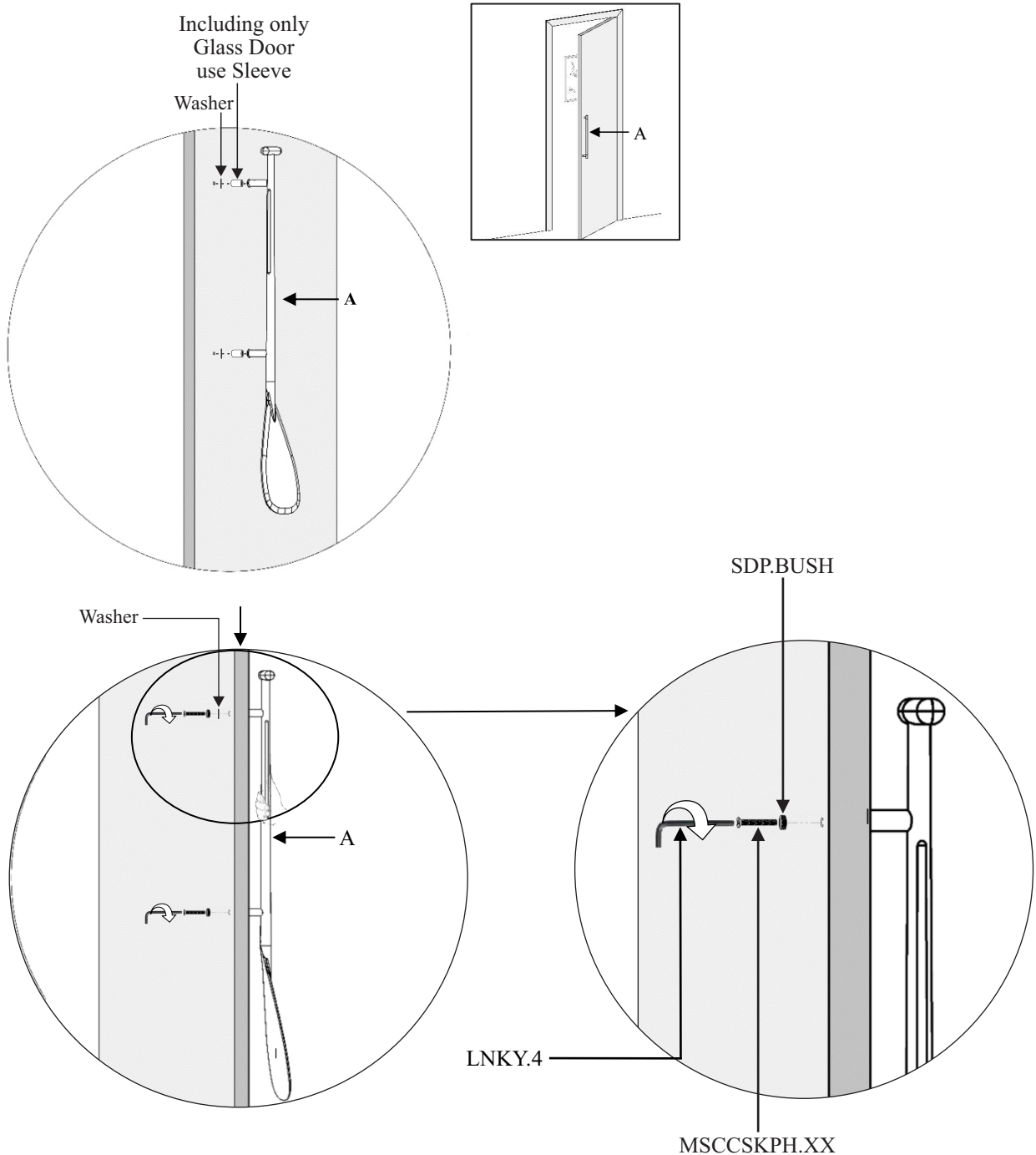
STEP-2



DRILL SIZE			
	Glass	Wood	Metal
<b>SDP BF</b>	3/8" (9.5mm)	1/4" (6.4mm)	1/4" (6.4mm)

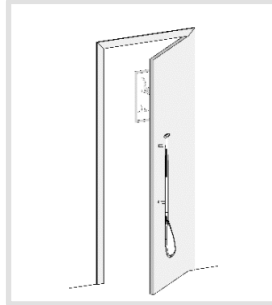
STEP-3

Step Wise Packing List			
S.No.	Part Number	Qty	Steps
2	SLEEVE	1x	3
3	MSCCSKPH.XX	2x	3
4	SDP.BUSH	2x	3
5	LNKY .4	1x	3
6	WASHER	2x	3



STEP-4

Step Wise Packing List			
S.No.	Part Number	Qty	Steps
7	SDP.CAP	2x	4



SDP.CAP

