



Graphite (Finish ID:61)

JAZZ SURFACE MOUNT DOOR PULL WITH BACK PLATE

“The juxtaposition of two surfaces where knurled meets smooth.
The contrast highlights the detail.”

	Item Code	Size (mm & Inches)	Material	Size (Inches)				Fig.
				A	B	C	D	
1	SDP.841.12".XX.XXX.XXXX.X	304.8mm (12")	Brass	14.21	1.24	12	2.28	1
2	SDP.841.18".XX.XXX.XXXX.X	457.2mm (18")	Brass	20.39	1.24	18	2.28	1
3	SDP.841.24".XX.XXX.XXXX.X	609.6mm (24")	Brass	26.42	1.24	24	2.28	1
4	SDP.841.36".XX.XXX.XXXX.X	914.4mm (36")	Brass	38.39	1.24	36	2.28	1
5	SDP.841.48".XX.XXX.XXXX.X	1219.2mm (48")	Brass	50.47	1.32	48	2.28	1

“XX” in item code denotes Finish ID.

“XXX” in item code denotes Door Thickness.

“XXXX” in item code denotes Door Material.

“X” in item code denotes Front Fix or Back Fix.

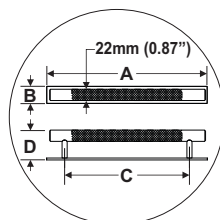


FIG. 1



























This product is Supplied with Based on Front Fix or Back Fix Order.

How to Order

SDP.841.12".61.WOOD.1 3/4".BF

SURFACE MOUNT DOOR PULL ——— STYLE : JAZZ ——— SIZE : CC 12 INCH ——— FINISH ID : 61 ——— DOOR MATERIAL : WOOD ——— DOOR THICKNESS : 1 3/4 INCH ——— BF : BACK FIX

Jazz Surface Mount Door Pull With Back Plate Finish Options

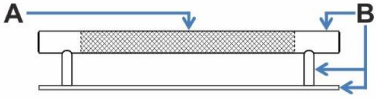
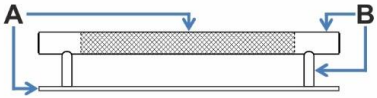
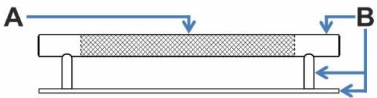
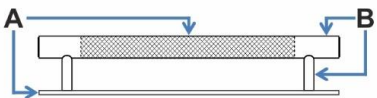
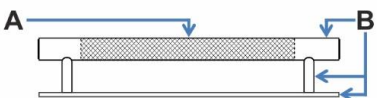
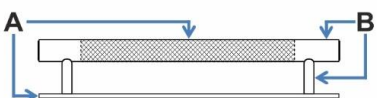
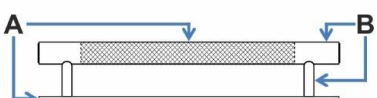
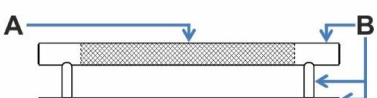
Base Material : Brass			Standard Finishes (2-3 Weeks Delivery)			
						
Bright Chrome (Finish ID:2)	Brush Nickel (Finish ID:3)	Aged Brass (Finish ID:4)	Unlacquered Polished Brass (Finish ID:7U)	Polished Nickel (Finish ID:8)	Satin Brass (Finish ID:13)	
Base Material : Brass			Custom Finishes (3-4 Weeks Delivery)*			
						
Lacquered Polished Brass (Finish ID:7L)	Matte Black (Finish ID:19)	Split Black and Polished Nickel with Polished Nickel Back Plate (Finish ID:48A)	Split Black and Polished Nickel with Black Back Plate (Finish ID:48B)	Split Black and Satin Brass with Satin Brass Back Plate (Finish ID:49A)	Split Black and Satin Brass with Black Back Plate (Finish ID:49B)	Split Black and Chrome with Chrome Back Plate (Finish ID:59A)
						
Split Black and Chrome with Black Back Plate (Finish ID:59B)	Graphite (Finish ID:61)	Split Brush Nickel and Satin Brass with Satin Brass Back Plate (Finish ID:78A)	Split Brush Nickel and Satin Brass with Brush Nickel Back Plate (Finish ID:78B)	Titanium (Finish ID:79)	Split Graphite and Satin Brass with Satin Brass Back Plate (Finish ID:90A)	Split Graphite and Satin Brass with Graphite Back Plate (Finish ID:90B)
						
Split Graphite and Brush Chrome with Graphite Back Plate (Finish ID:91A)	Split Graphite and Brush Chrome with Brush Chrome Back Plate (Finish ID:91B)	Ombre (Finish ID:92)	Split Graphite and Aged Brass with Graphite Back Plate (Finish ID:93A)	Split Graphite and Aged Brass with Aged Brass Back Plate (Finish ID:93B)	Brush Chrome (Finish ID:95)	

Front Fix (FF)	
Door Material	Door Thickness
1. Wood	1", 1 1/4", 1 1/2", 1 3/4", 2", 2 1/4", 2 1/2"
2. Metal	1", 1 1/4", 1 1/2", 1 3/4", 2", 2 1/4", 2 1/2"
Back Fix (BF)	
Door Material	Door Thickness
1. Wood	5/16", 3/8", 1/2", 3/4", 1", 1 1/4", 1 1/2", 1 3/4", 2", 2 1/4", 2 1/2"
2. Metal	5/16", 3/8", 1/2", 3/4", 1", 1 1/4", 1 1/2", 1 3/4", 2", 2 1/4", 2 1/2"
3. Glass	5/16", 3/8", 1/2", 3/4", 1"

- Custom finishes cannot be returned or refunded. We are unable to accept cancellations for custom finish order unless within 48 hours of the order being placed.
- We have uniform pricing for all non-hammered finishes listed above as long as base material and size is same.
- Contact us for customized finishes, refer pages F1, F2, F3 & F4 for finish glossary.

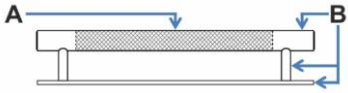


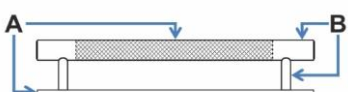
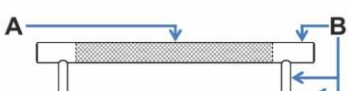
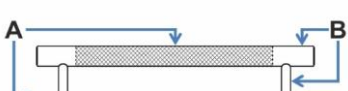
Jazz Surface Mount Door Pull With Back Plate Split Finish

SDP.841.XX.XX

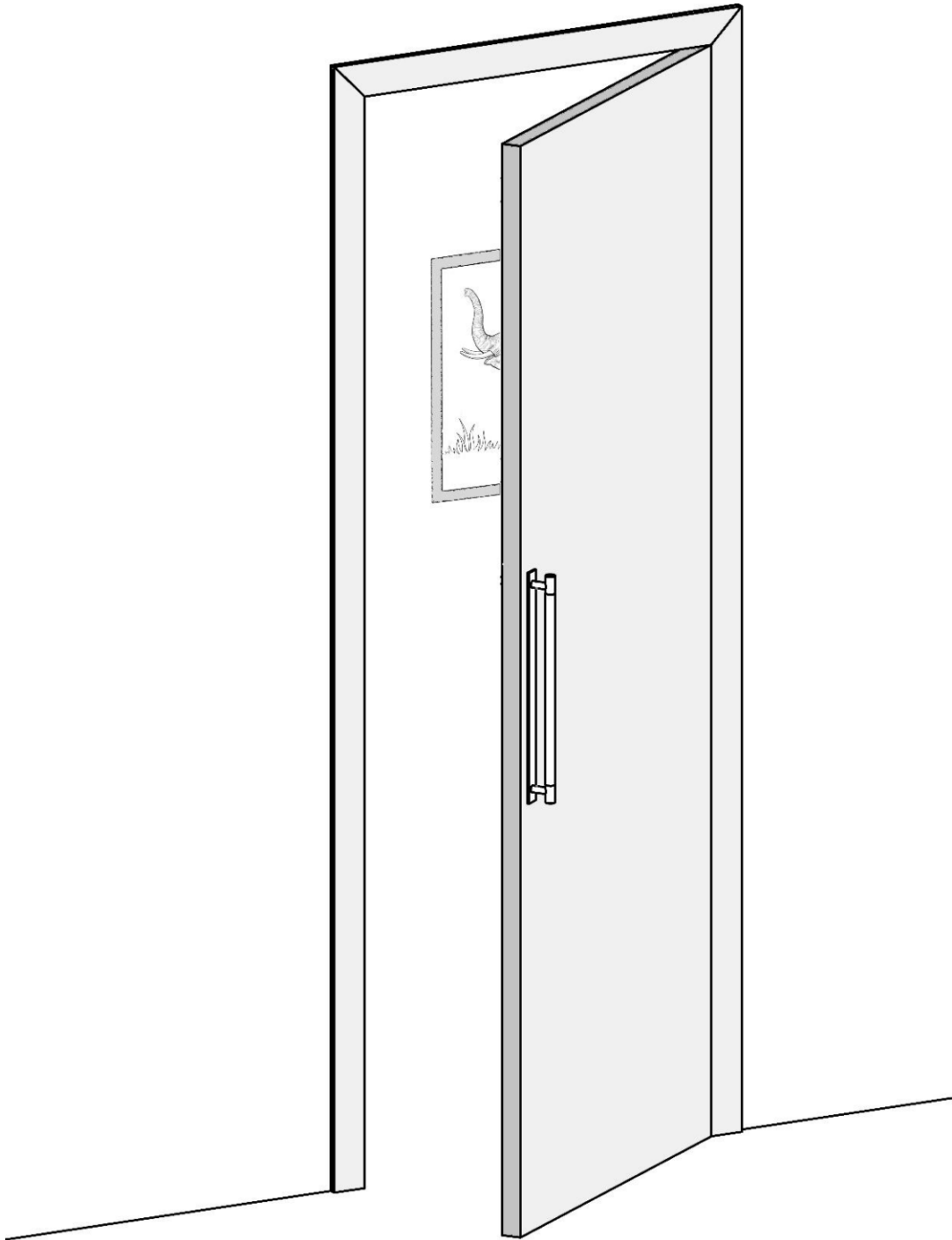
FINISH CODE (XX)	FINISH NAME	LINE DRAWING	A	B
SDP.841.XX.48A	Split Black and Nickel with Polished Nickel Back Plate		Matte Black	Polished Nickel
SDP.841.XX.48B	Split Black and Nickel with Black Back Plate		Matte Black	Polished Nickel
SDP.841.XX.49A	Split Black and Satin Brass with Satin Brass Back Plate		Matte Black	Satin Brass
SDP.841.XX.49B	Split Black and Satin Brass with Black Back Plate		Matte Black	Satin Brass
SDP.841.XX.59A	Split Black and chrome with chrome back plate		Matte Black	Bright Chrome
SDP.841.XX.59B	Split Black and chrome with Black back plate		Matte Black	Bright Chrome
SDP.841.XX.78A	Split Brush Nickel and Satin Brass with Satin Brass Back Plate		Satin Brass	Brush Nickel
SDP.841.XX.78B	Split Brush Nickel and Satin Brass with Brush Nickel Back Plate		Satin Brass	Brush Nickel

Jazz Surface Mount Door Pull With Back Plate Split Finish

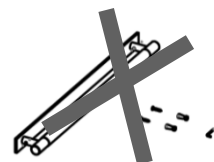
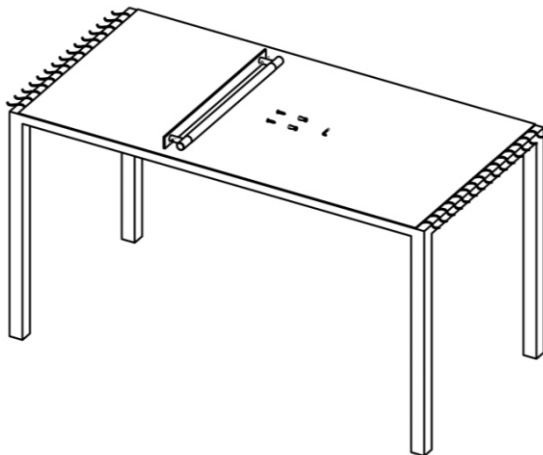
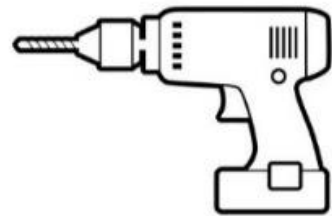
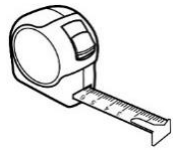
SDP.841.XX.XX

FINISH CODE (XX)	FINISH NAME	LINE DRAWING	A	B
SDP.841.XX.90A	Split Graphite and Satin Brass with Satin Brass Back Plate		Graphite	Satin Brass
SDP.841.XX.90B	Split Graphite and Satin Brass with Graphite Back Plate		Graphite	Satin Brass
SDP.841.XX.91A	Split Graphite and Brush Chrome with Brush Chrome Back Plate		Graphite	Brush Chrome
SDP.841.XX.91B	Split Graphite and Brush Chrome with Graphite Back Plate		Graphite	Brush Chrome
SDP.841.XX.93A	Split Graphite and Aged Brass with Aged Brass Back Plate		Graphite	Aged Brass
SDP.841.XX.93B	Split Graphite and Aged Brass with Graphite Back Plate		Graphite	Aged Brass

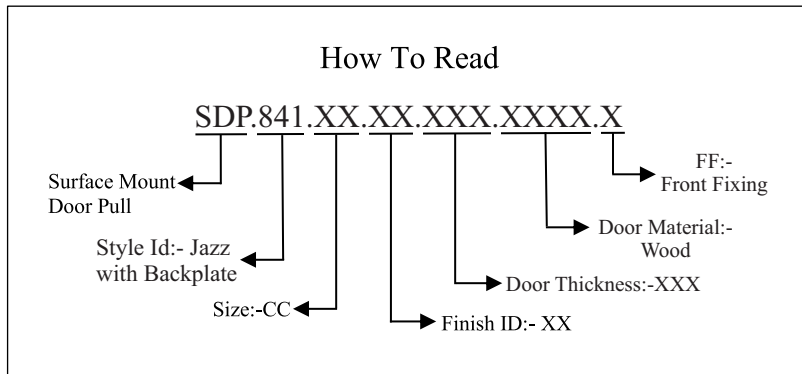
**SURFACE MOUNT FRONT FIXING
HANDLE ILLUSTRATED**



Required Tools



Step Wise Packing List			
S. No.	Part Number	Qty.	Steps
1	SDP.841.XX.XX.XXX.XXXX.X	1x	1
2	SDP.FFPIN	2x	3
3	WSSSCSKPFH.XX	2x	3
4	LNKY. 2.5	1x	4
5	Manual	1x	-



SDP.841.XX.XX.XXX.XXXX.X



SDP.FFPIN

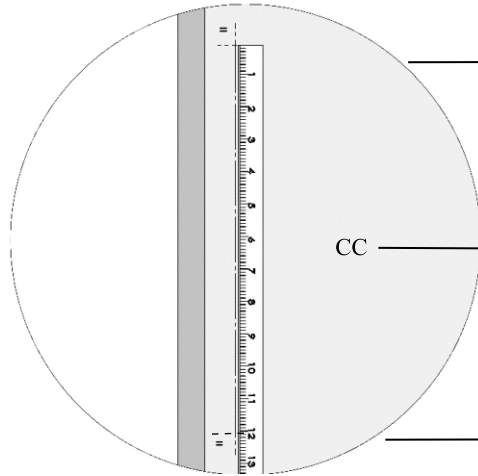
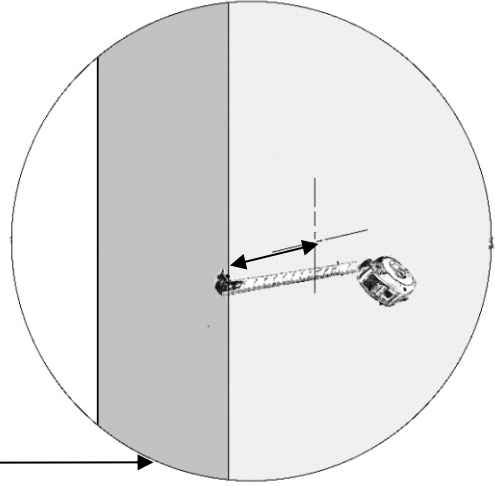
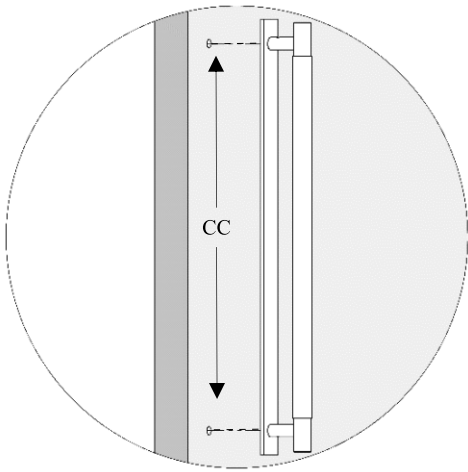


WSSSCSKPFH.XX



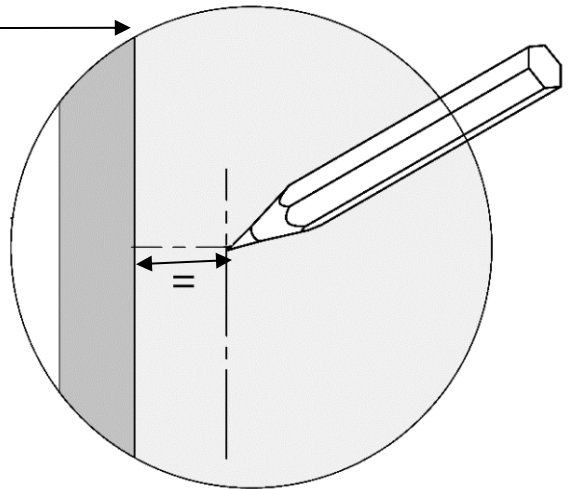
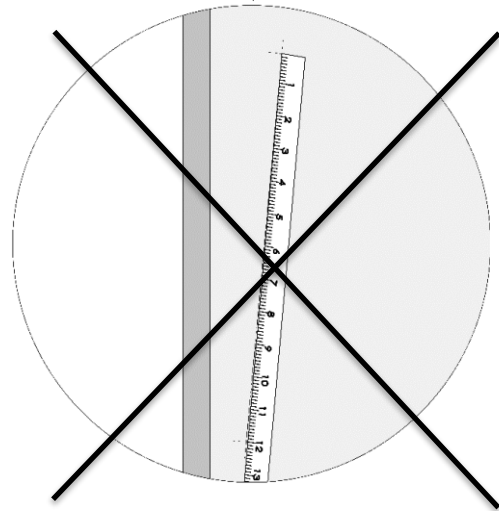
LNKY. 2.5

STEP-1

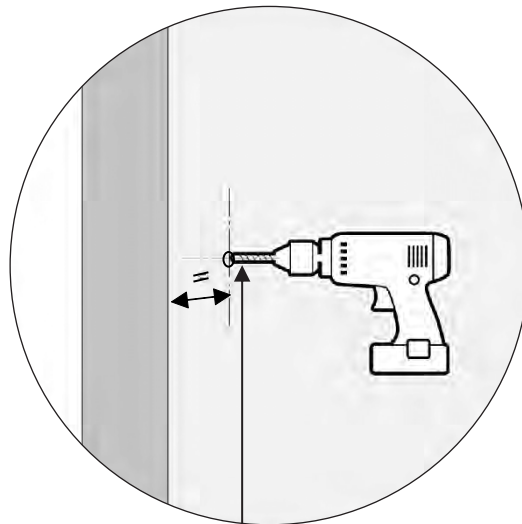
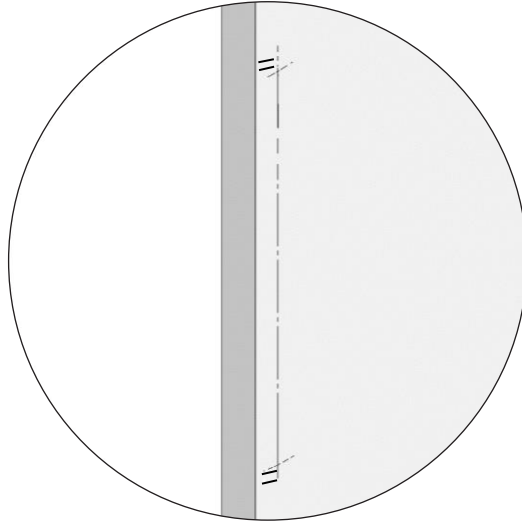


SDP.841.XX.XX.XXX.XXXX.X

Size:-CC
12"
18"
24"
36"
48"



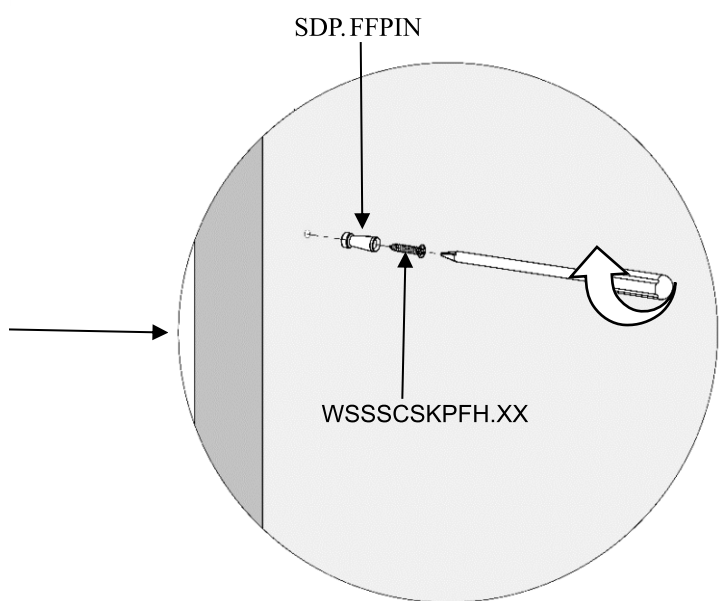
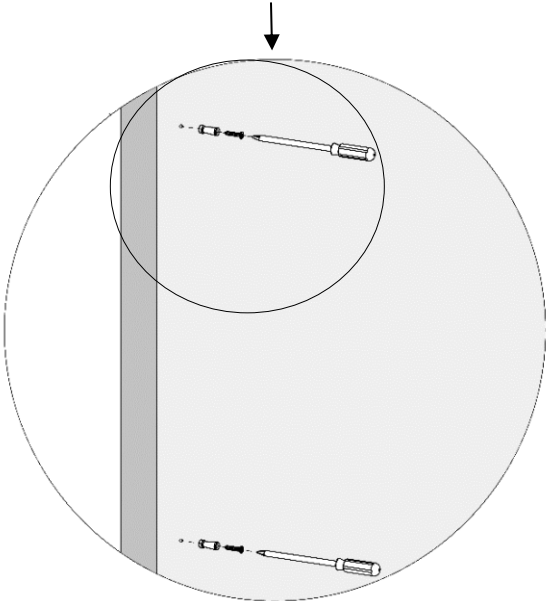
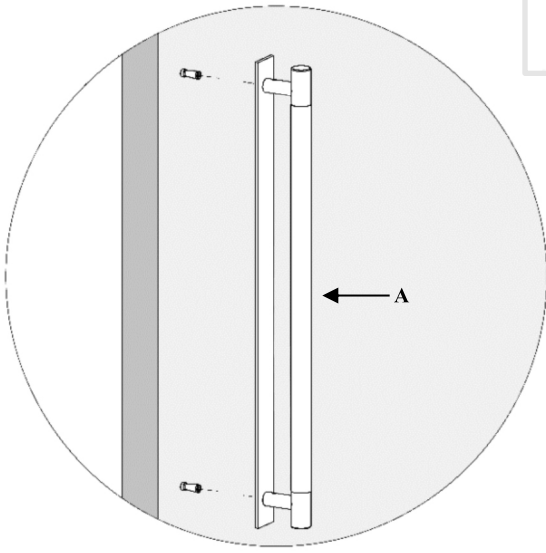
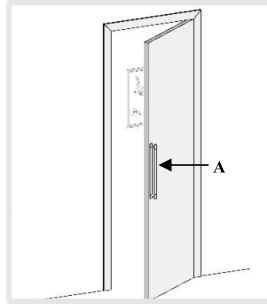
STEP-2



DRILL SIZE			
	Glass	Wood	Metal
SDP FF	N/A	1/10" (2.5mm)	N/A

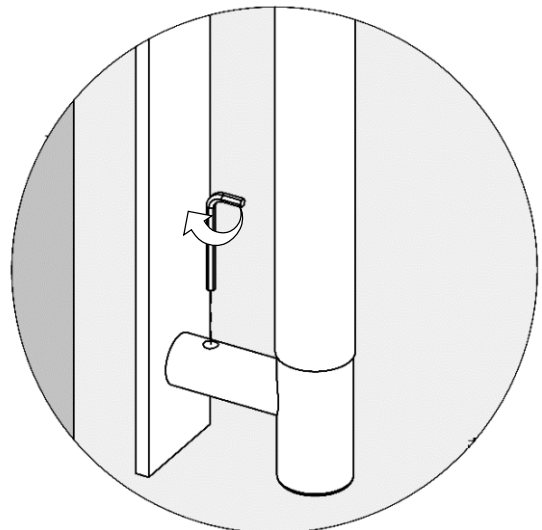
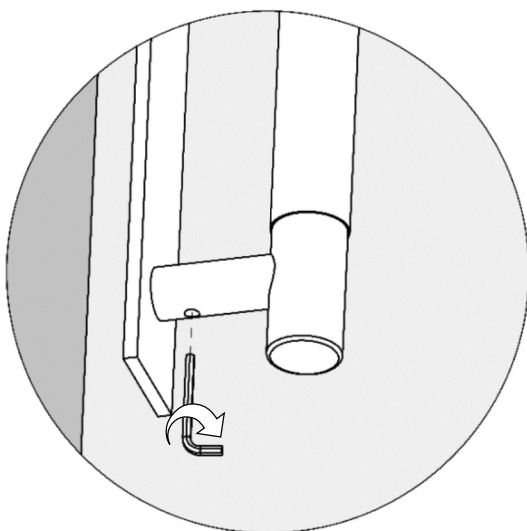
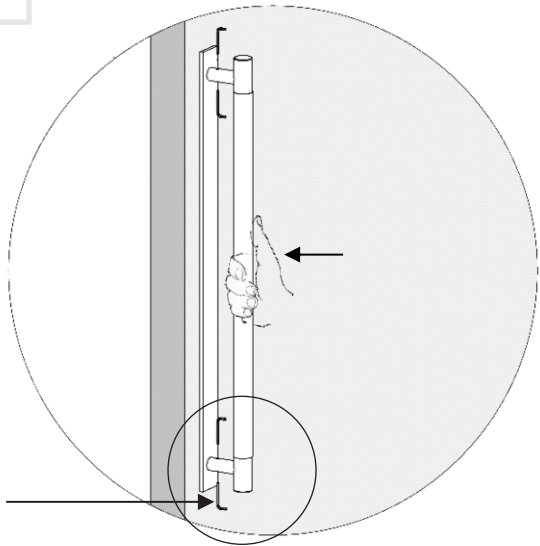
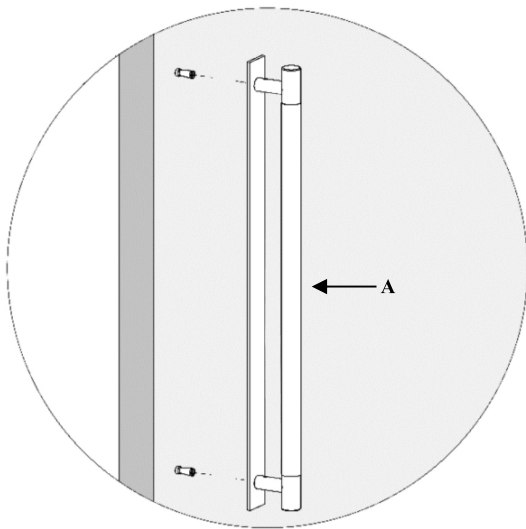
STEP-3

Step Wise Packing List			
S. No.	Part Number	Qty.	Steps
2	SDP.FFPIN	2x	3
3	WSSCSKPFH.XX	2x	3

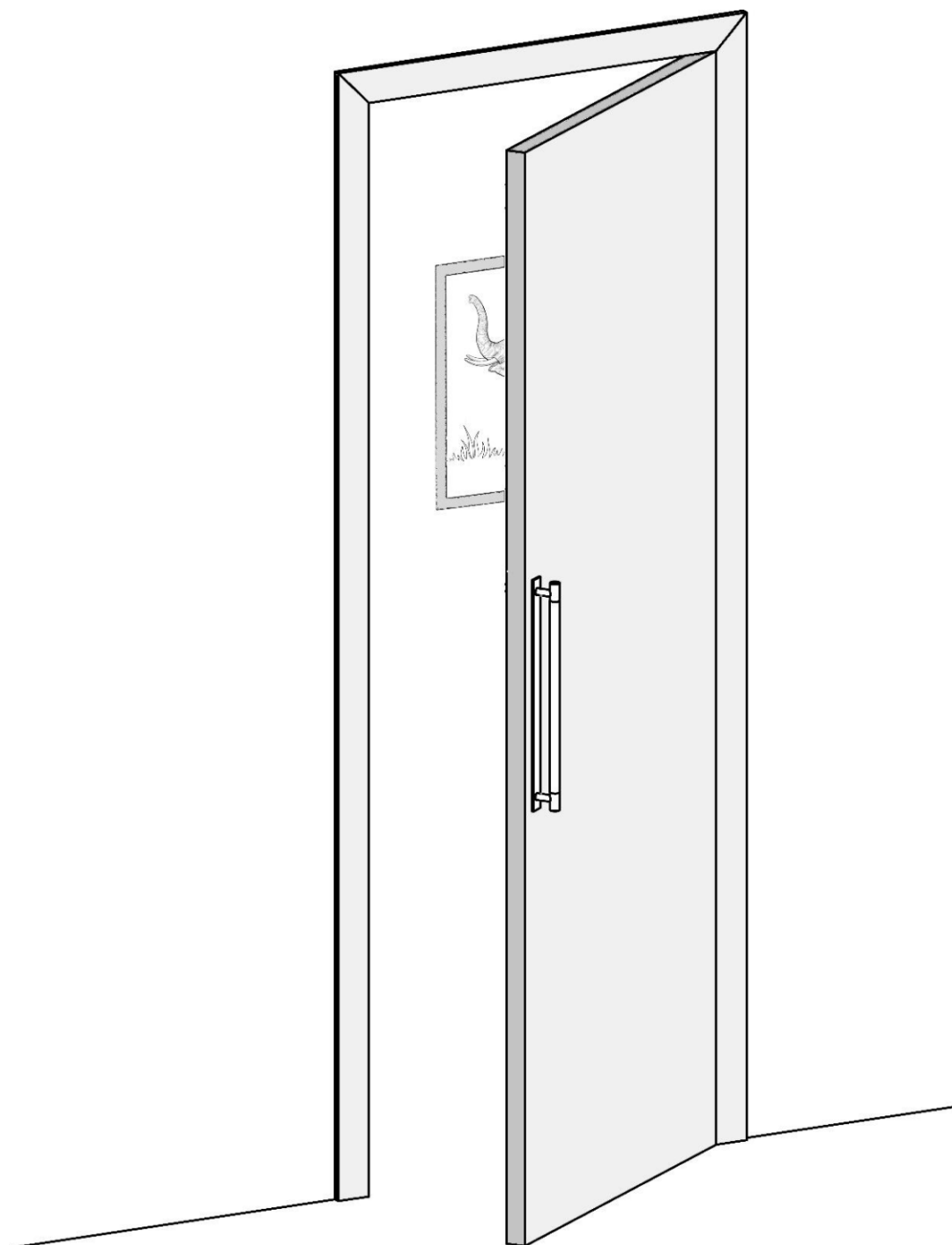


STEP-4

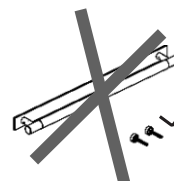
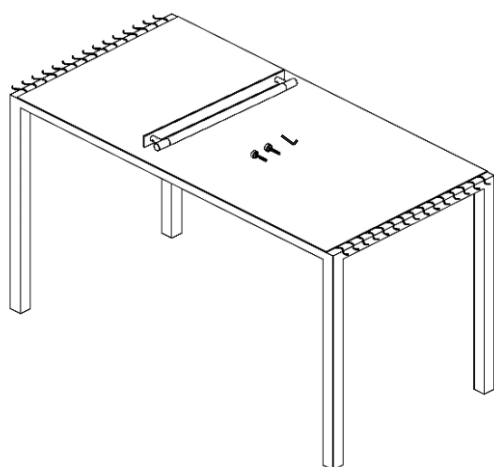
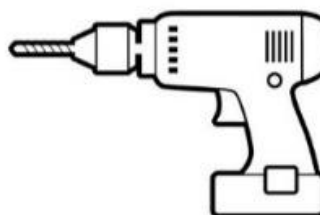
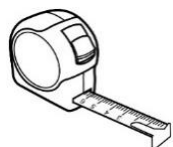
Step Wise Packing List			
S. No.	Part Number	Qty.	Steps
4	LNKY. 2.5	1x	4



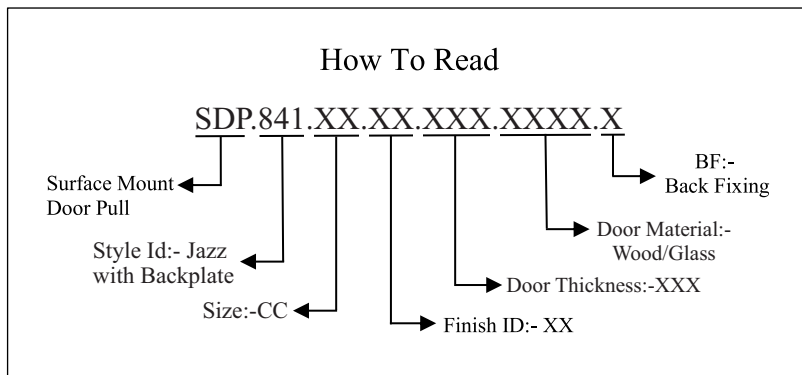
**SURFACE MOUNT BACK FIXING
HANDLE ILLUSTRATED**



Required Tools



Step Wise Packing List			
S. No.	Part Number	Qty.	Steps
1	SDP.841.XX.XX.XXX.XXXX.X	1x	1
2	SLEEVE	1x	3
3	MSCCSKPH.XX	2x	3
4	SDP.BUSH	2x	3
5	LNKY.4	1x	3
6	SDP.CAP	2x	4
7	Manual	1x	



SDP.841.XX.XX.XXX.XXXX.X



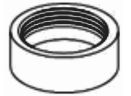
MSCCSKPH.XX



SDP.BUSH



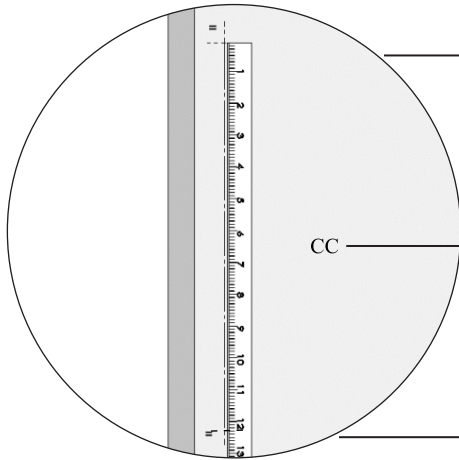
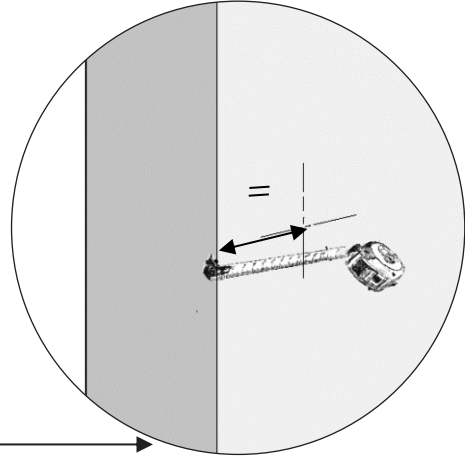
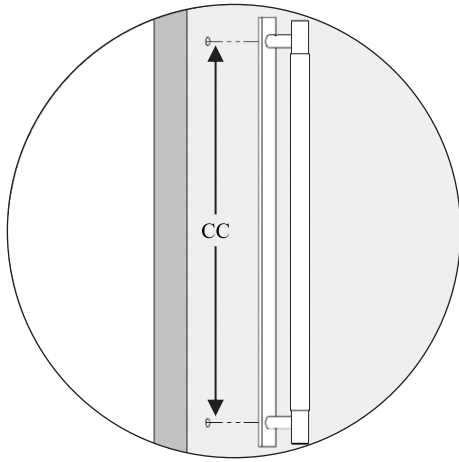
LNKY 4



SDP.CAP

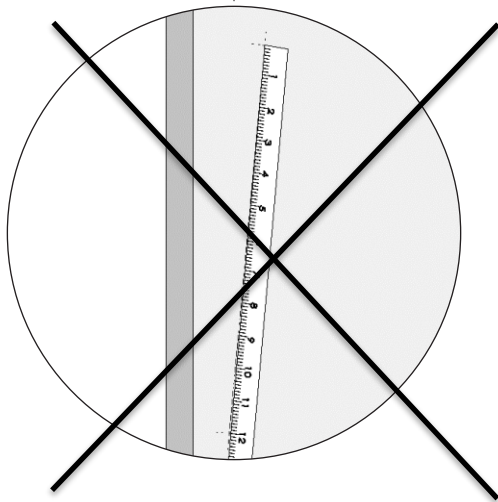
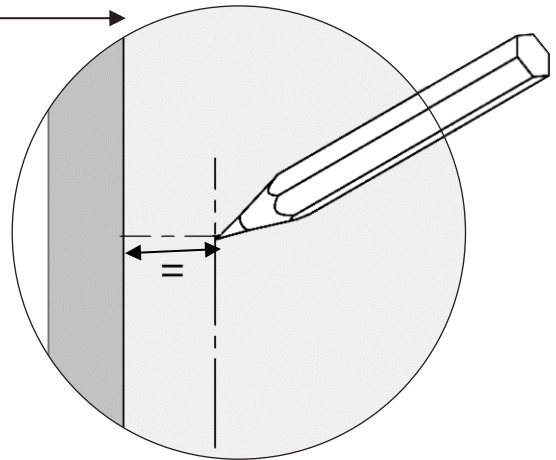


STEP-1

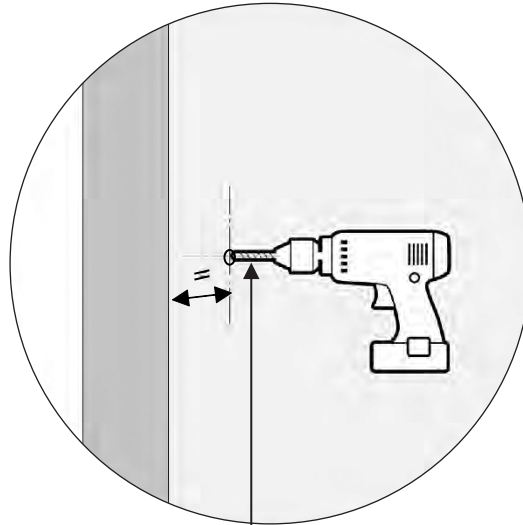
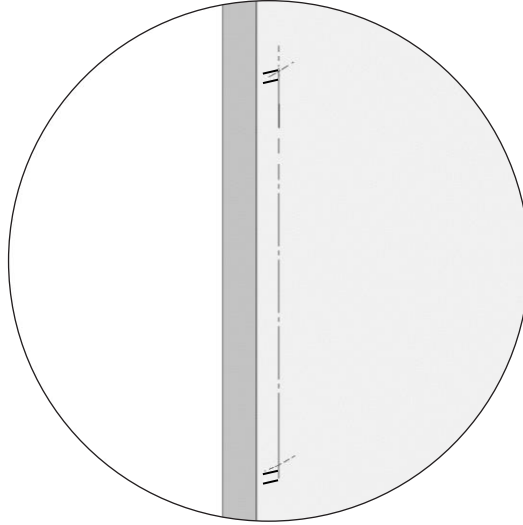


SDP.841.XX.XX.XXX.XXXX.X

Size:-CC
12"
18"
24"
36"
48"



STEP-2

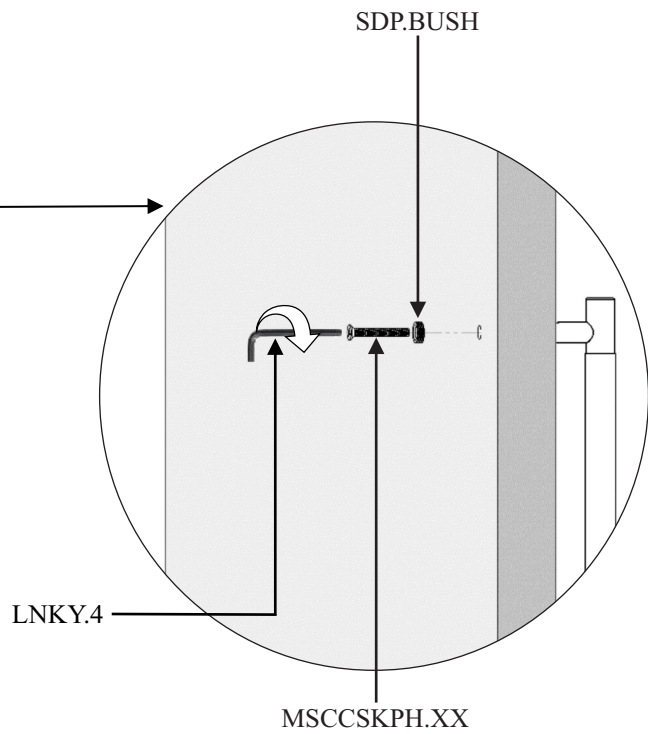
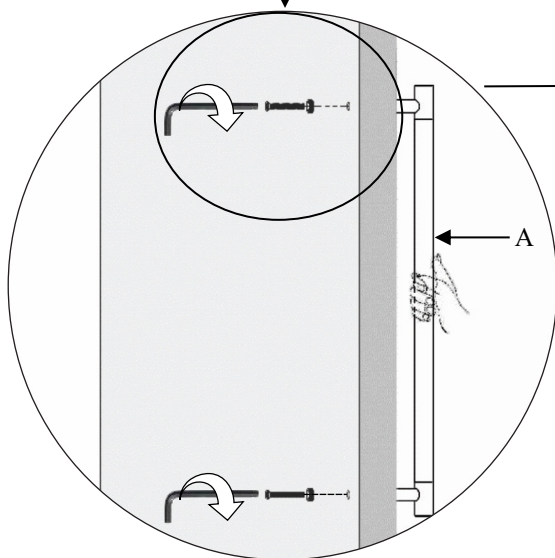
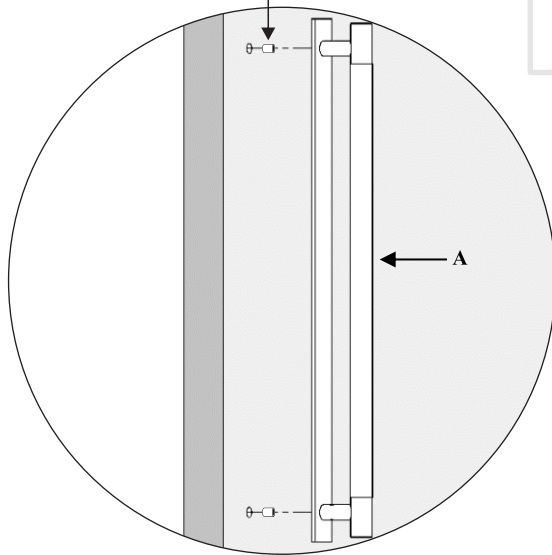
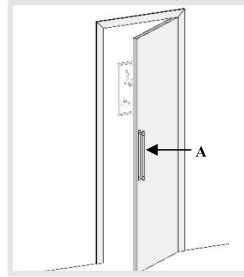


DRILL SIZE			
	Glass	Wood	Metal
SDP BF	3/8" (9.5mm)	1/4" (6.4mm)	1/4" (6.4mm)

STEP-3

Step Wise Packing List			
S.No.	Part Number	Qty	Steps
2	SLEEVE	1x	3
3	MSCCKPH.XX	2x	3
4	SDP.BUSH	2x	3
5	LNKY .4	1x	3

Including only
Glass Door
use Sleeve



STEP-4

Step Wise Packing List			
S.No.	Part Number	Qty	Steps
6	SDP.CAP	2x	4

