



Polished Nickel (Finish ID:8)

JAZZ SURFACE MOUNT DOOR PULL

“The juxtaposition of two surfaces where knurled meets smooth.
The contrast highlights the detail.”

	Item Code	Size (mm & Inches)	Material	Size (Inches)				Fig.
				A	B	C	D	
1	SDP.836.12".XX.XXX.XXXX.X	304.8mm (12")	Brass	13.98	0.87	12	2.13	1
2	SDP.836.18".XX.XXX.XXXX.X	457.2mm (18")	Brass	20.16	0.87	18	2.13	1
3	SDP.836.24".XX.XXX.XXXX.X	609.6mm (24")	Brass	26.18	0.87	24	2.13	1
4	SDP.836.36".XX.XXX.XXXX.X	914.4mm (36")	Brass	38.19	0.87	36	2.13	1
5	SDP.836.48".XX.XXX.XXXX.X	1219.2mm (48")	Brass	50.16	0.87	48	2.13	1

“XX” in item code denotes Finish ID.

“XXX” in item code denotes Door Thickness.

“XXXX” in item code denotes Door Material.

“X” in item code denotes Front Fix or Back Fix.

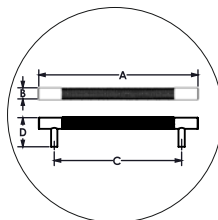
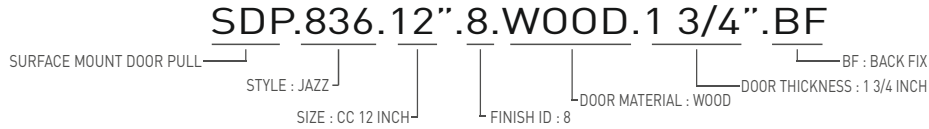


FIG. 1

This product is Supplied with Based on Front Fix or Back Fix Order.

How to Order



Jazz Surface Mount Door Pull Finish Options

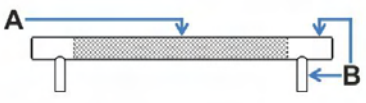
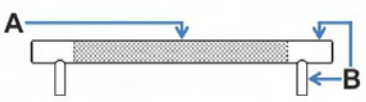
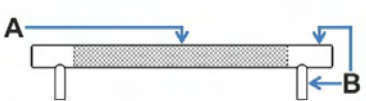
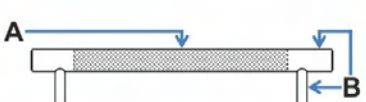
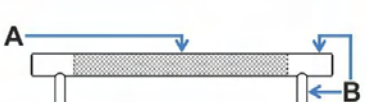
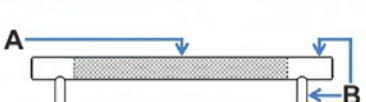
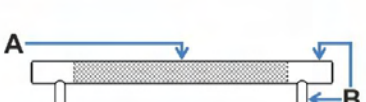
Base Material : Brass			Standard Finishes (2-3 Weeks Delivery)			
						
Bright Chrome (Finish ID:2)	Brush Nickel (Finish ID:3)	Aged Brass (Finish ID:4)	Unlacquered Polished Brass (Finish ID:7U)	Polished Nickel (Finish ID:8)	Satin Brass (Finish ID:13)	
Base Material : Brass			Custom Finishes (3-4 Weeks Delivery)*			
						
Lacquered Polished Brass (Finish ID:7L)	Matte Black (Finish ID:19)	Split Black and Polished Nickel (Finish ID:48)	Split Black and Satin Brass (Finish ID:49)	Split Black And Chrome (Finish ID:59)	Graphite (Finish ID:61)	Split Brush Nickel and Satin Brass (Finish ID:78)
						
Titanium (Finish ID:79)	Split Graphite and Satin Brass (Finish ID:90)	Split Graphite and Brush Chrome (Finish ID:91)	Ombre (Finish ID:92)	Split Graphite and Aged Brass (Finish ID:93)	Brush Chrome (Finish ID:95)	

Front Fix (FF)	
Door Material	Door Thickness
1. Wood	1", 1 1/4", 1 1/2", 1 3/4", 2", 2 1/4", 2 1/2"
2. Metal	1", 1 1/4", 1 1/2", 1 3/4", 2", 2 1/4", 2 1/2"
Back Fix (BF)	
Door Material	Door Thickness
1. Wood	5/16", 3/8", 1/2", 3/4", 1", 1 1/4", 1 1/2", 1 3/4", 2", 2 1/4", 2 1/2"
2. Metal	5/16", 3/8", 1/2", 3/4", 1", 1 1/4", 1 1/2", 1 3/4", 2", 2 1/4", 2 1/2"
3. Glass	5/16", 3/8", 1/2", 3/4", 1"

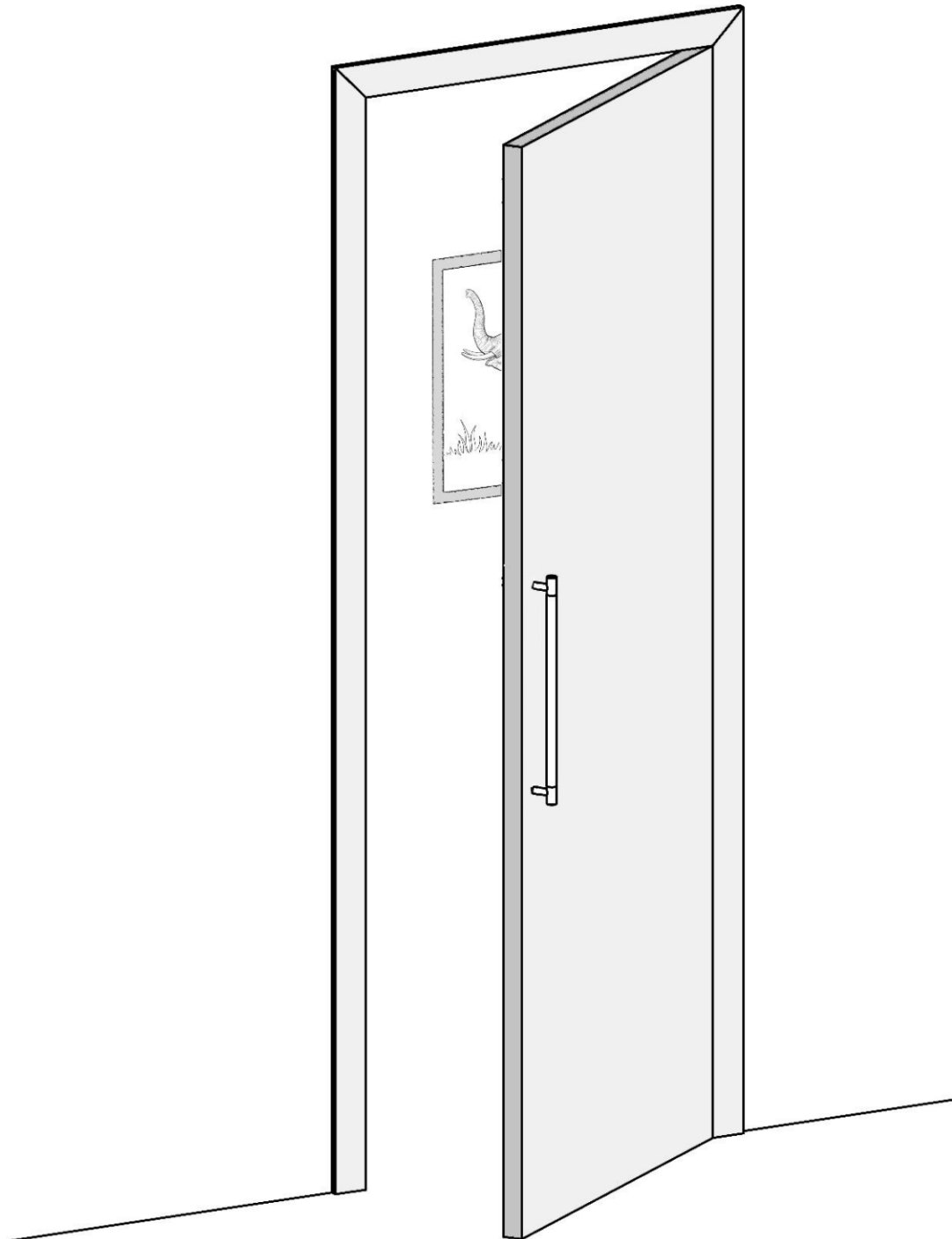
- Custom finishes cannot be returned or refunded. We are unable to accept cancellations for custom finish order unless within 48 hours of the order being placed.
- We have uniform pricing for all non-hammered finishes listed above as long as base material and size is same.
- Contact us for customized finishes, refer pages F1, F2, F3 & F4 for finish glossary.

Jazz Surface Mount Door Pull Split Finish

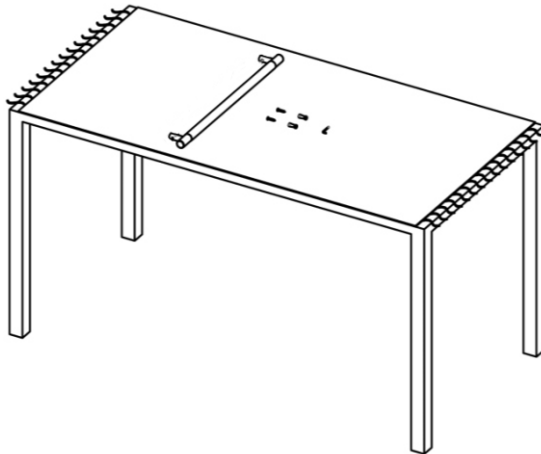
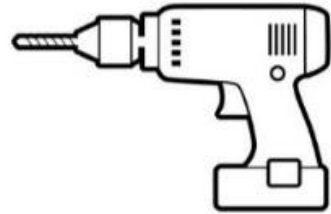
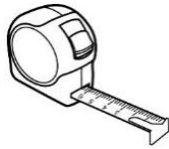
SDP.836.XX.XX

FINISH CODE (XX)	FINISH NAME	LINE DRAWING	A	B
SDP.836.XX.48	Split Black and Polished Nickel		Matte Black	Polished Nickel
SDP.836.XX.49	Split Black and Satin Brass		Matte Black	Satin Brass
SDP.836.XX.59	Split Black and Chrome		Matte Black	Bright Chrome
SDP.836.XX.78	Split Brush Nickel and Satin Brass		Satin Brass	Brush Nickel
SDP.836.XX.90	Split Graphite and Satin Brass		Graphite	Satin Brass
SDP.836.XX.91	Split Graphite and Brush Chrome		Graphite	Brush Chrome
SDP.836.XX.93	Split Graphite and Aged Brass		Graphite	Aged Brass

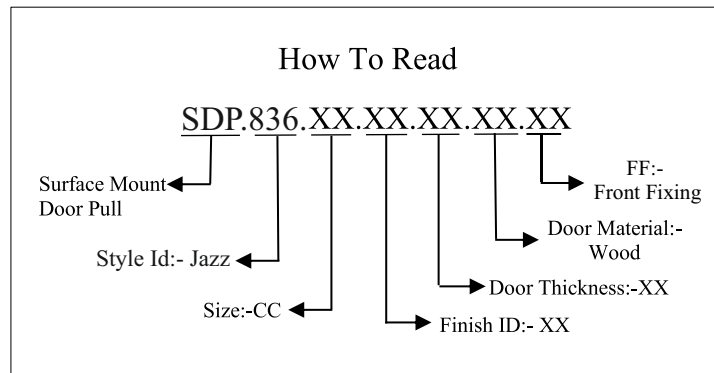
**SURFACE MOUNT FRONT FIXING
HANDLE ILLUSTRATED**



Required Tools



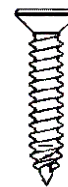
Step Wise Packing List			
S. No.	Part Number	Qty.	Steps
1	SDP.836.XX.XX.XX.XX.XX	1x	1
2	SDP.FFPIN	2x	3
3	WSSSCSKPFH.XX	2x	4
4	Manual	1x	-



SDP.836.XX.XX.XX.XX.XX

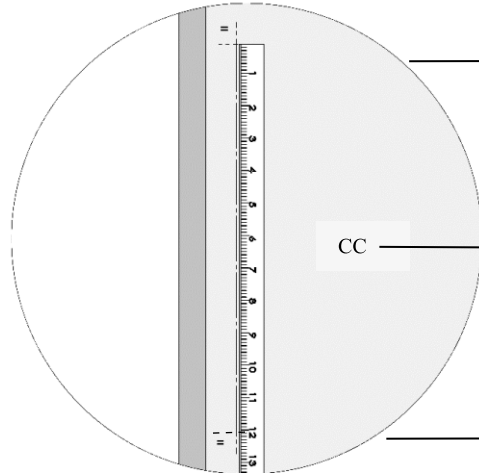
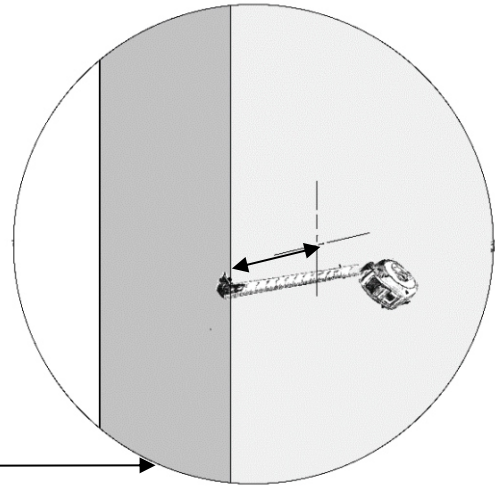
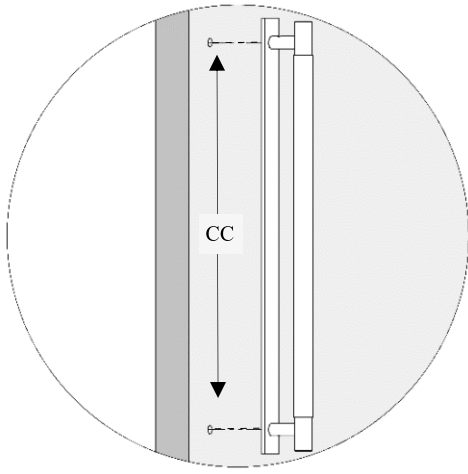


SDP.FFPIN



WSSSCSKPFH.XX

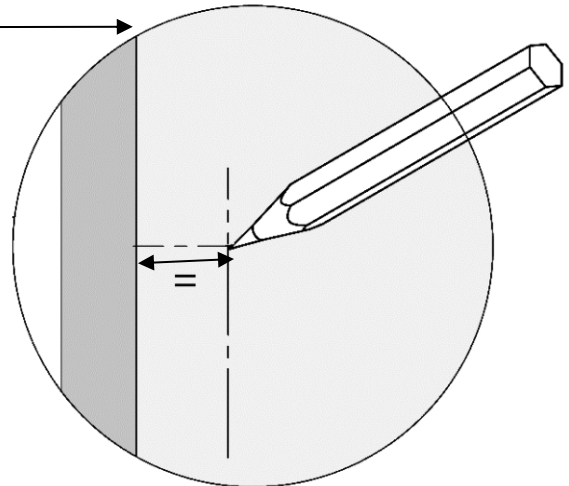
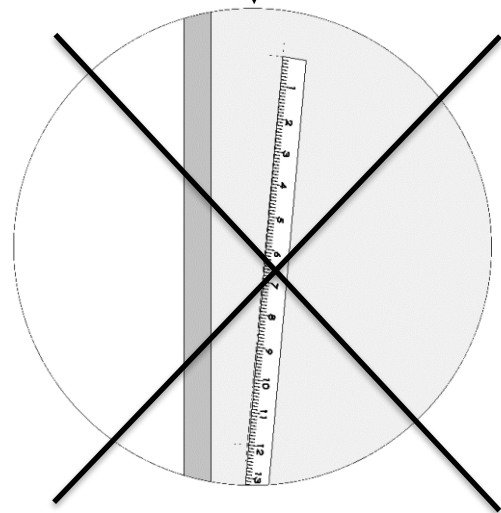
STEP-1



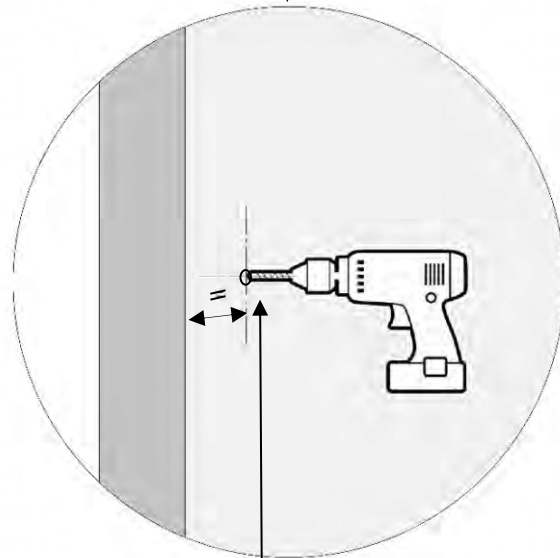
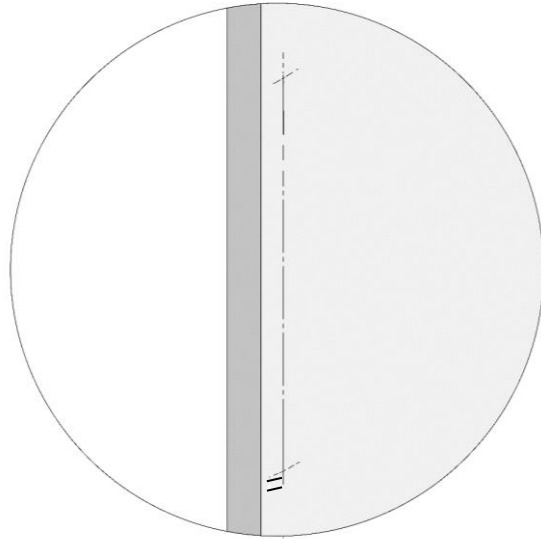
SDP.836.XX.XX.XX.XX.XX

CC

Size:-CC
12"
18"
24"
36"
48"

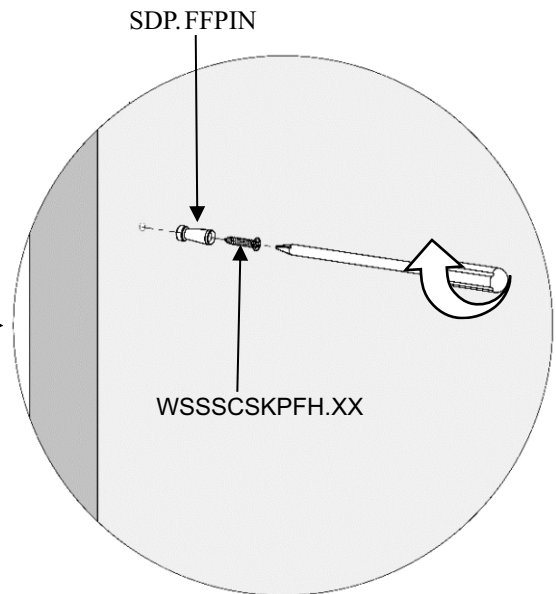
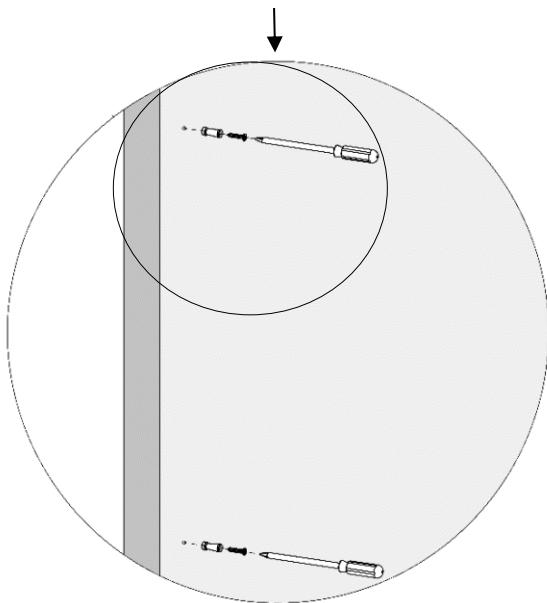
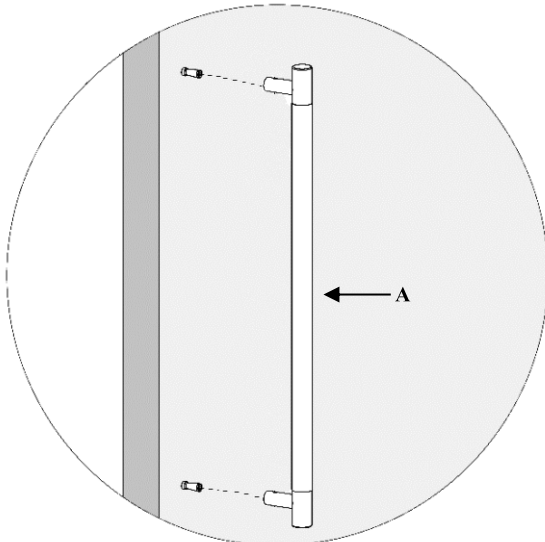
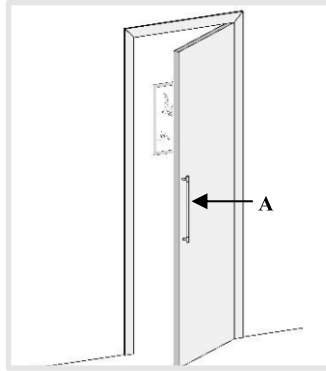


STEP-2

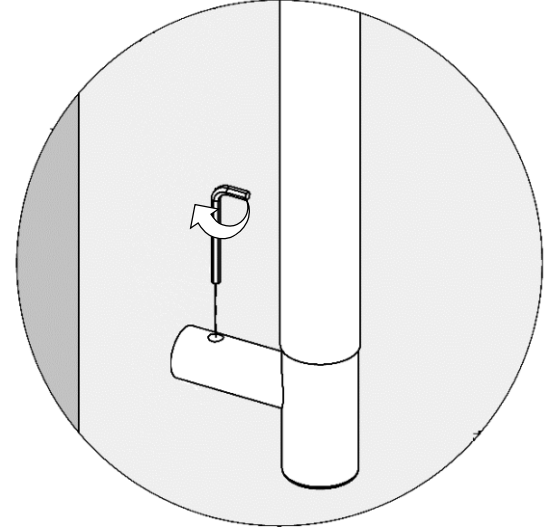
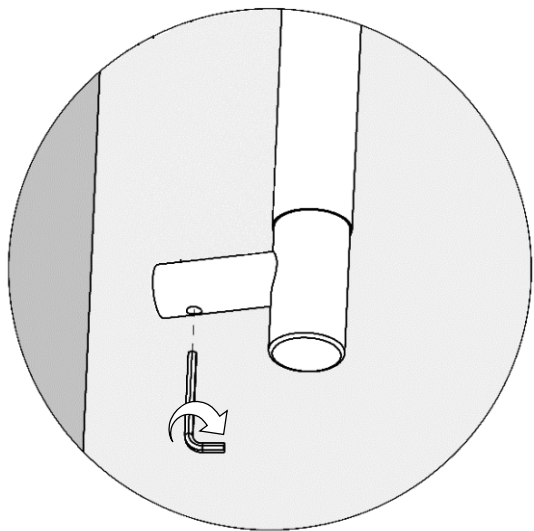
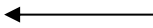
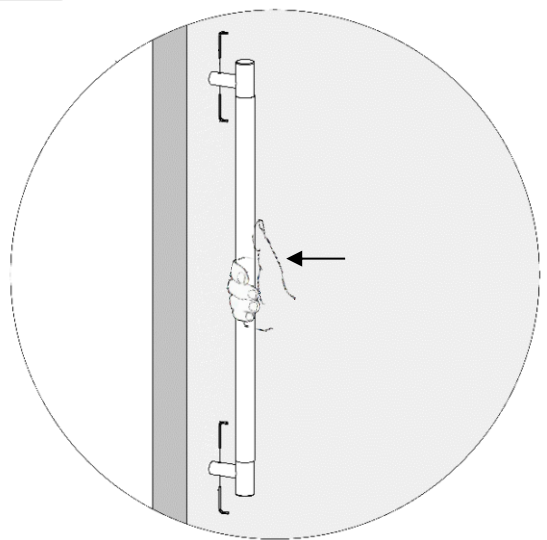
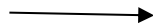
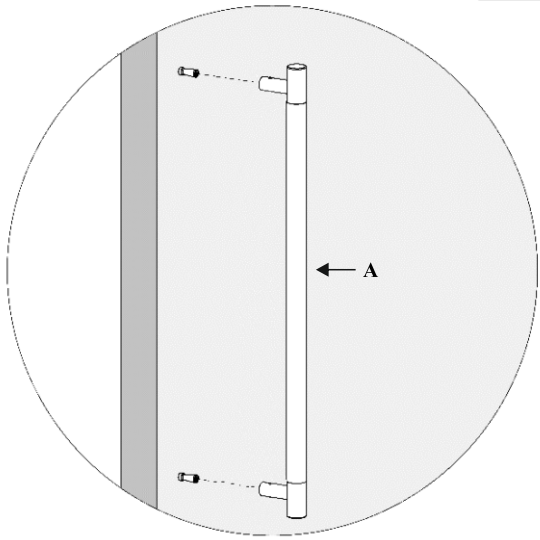
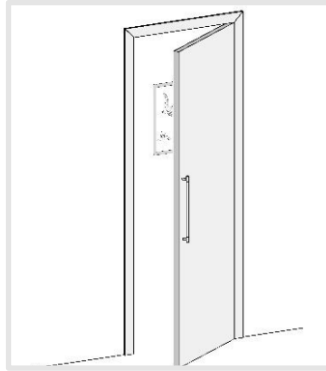


Drill \varnothing 2.5 mm $\frac{+0.20}{-0.00}$
 $\frac{1}{10}$ " $\frac{+1/128"}{-0.00}$

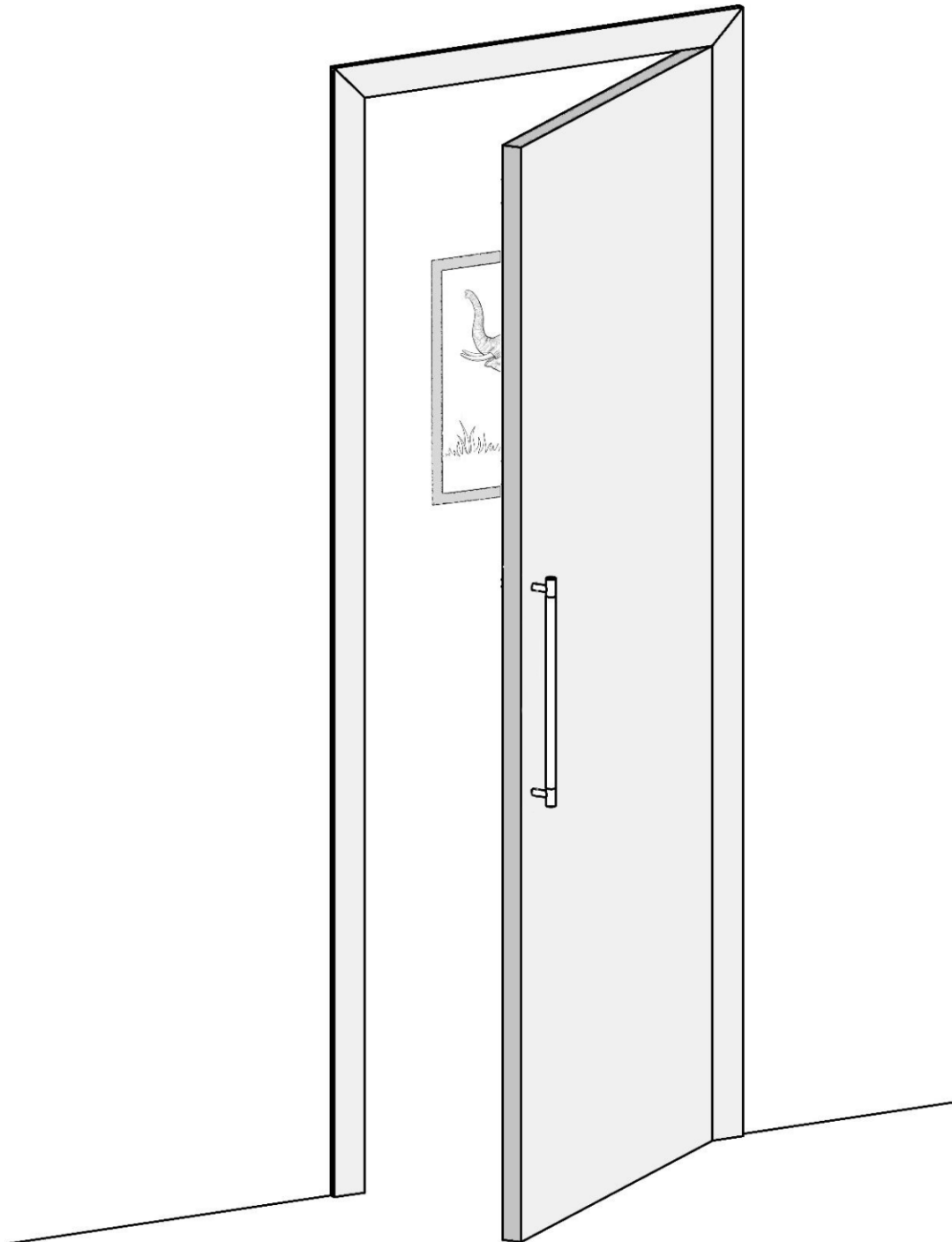
STEP-3



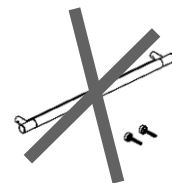
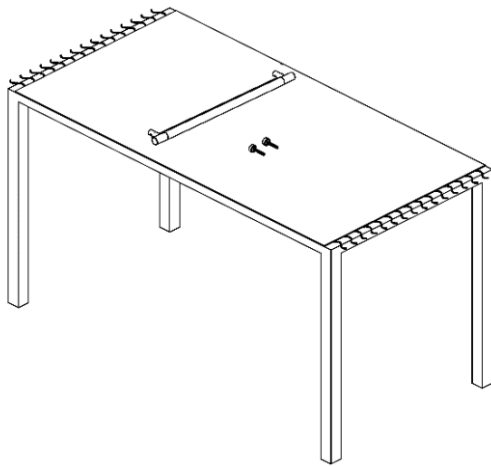
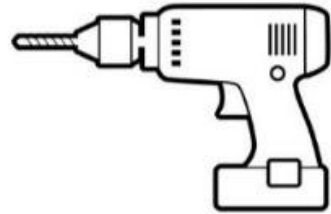
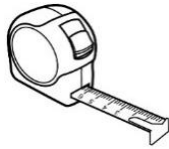
STEP-4



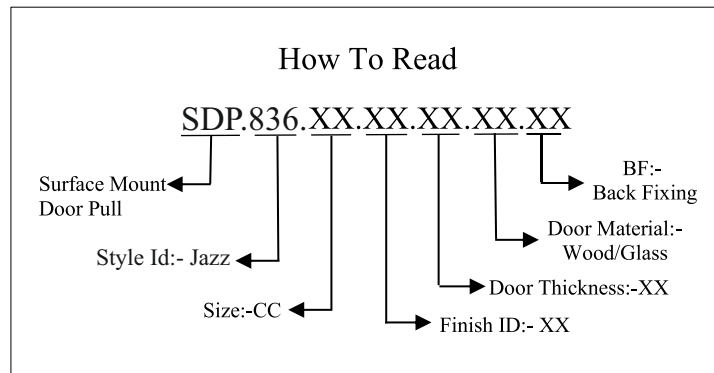
**SURFACE MOUNT BACK FIXING
HANDLE ILLUSTRATED**



Required Tools



Step Wise Packing List			
S. No.	Part Number	Qty.	Steps
1	SDP.836.XX.XX.XX.XX.XX	1x	1
2	MSCCSKPH.XX	2x	3
3	SDP.BUSH	2x	3
4	SDP.CAP	2x	4
5	Manual	1x	-



SDP.836.XX.XX.XX.XX.XX



MSCCSKPH.XX

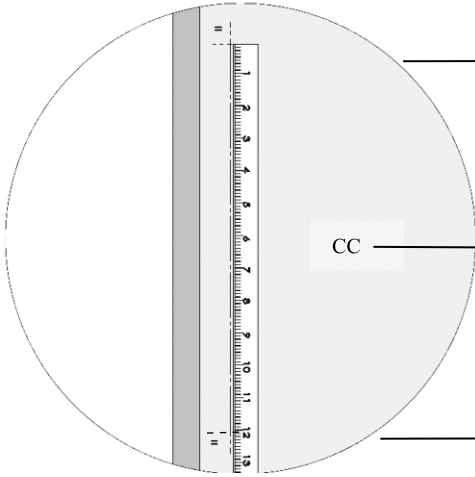
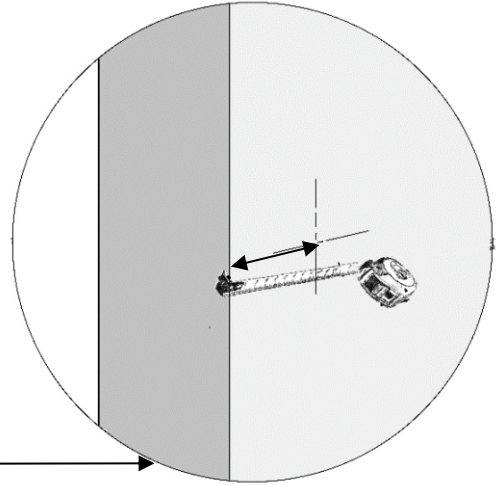
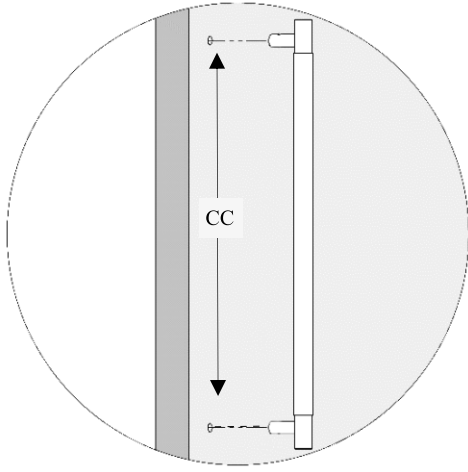


SDP.BUSH



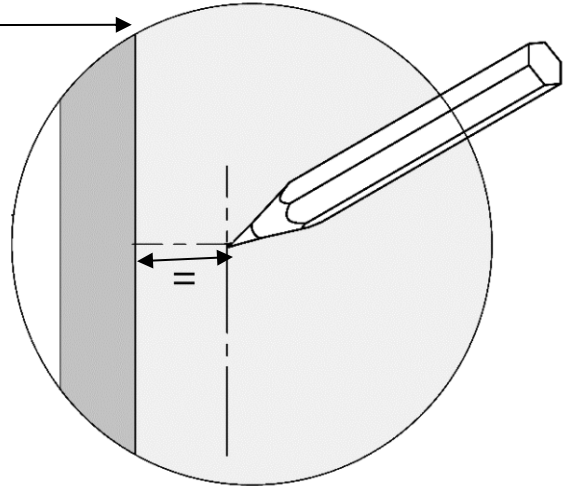
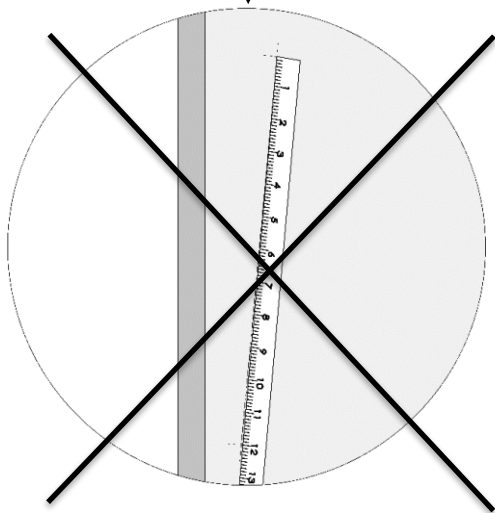
SDP.CAP

STEP-1

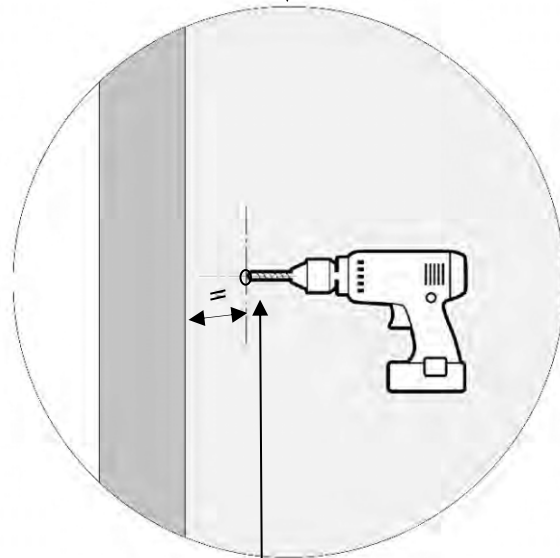
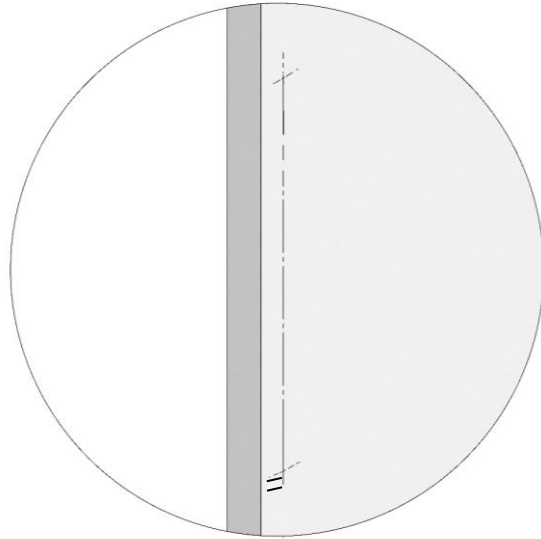


SDP.836.XX.XX.XX.XX.XX

Size:-CC
12"
18"
24"
36"
48"



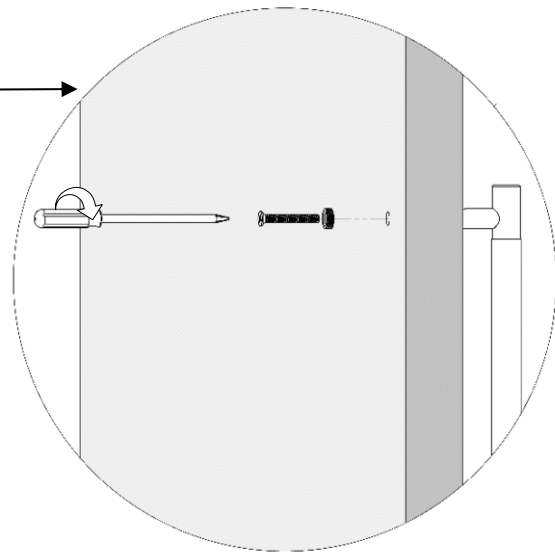
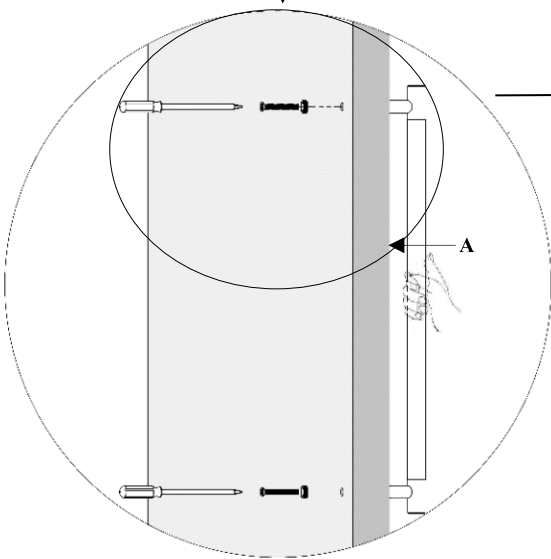
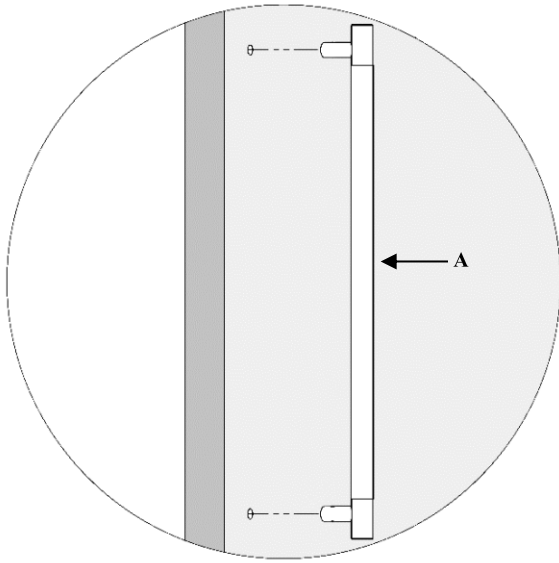
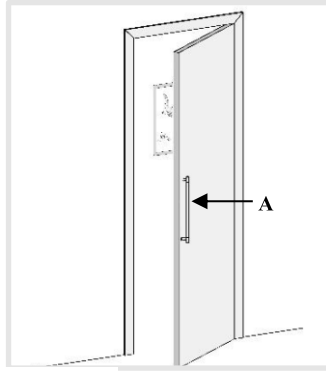
STEP-2



Drill \varnothing 6.5 mm $\frac{+0.40}{-0.00}$

$\frac{1}{4}$ " $\frac{+1/64"}{-0.00}$

STEP-3



STEP-4

