



Satin Brass (Finish ID:13)

## ALHAMBRA SURFACE MOUNT DOOR PULL

“The architecture of the Alhambra palace is drawn from a mix of cultures and decorative elements, Moorish poets described it as a pearl set in emeralds. Our Alhambra suite is inspired by the columns in the palace, characterised by their elegance rather than grandeur.”

Item Code	Size (mm & Inches)	Material	Size (Inches)				Fig.
			A	B	C	D	
1 SDP.834.12".XX.XXX.XXXX.X	304.8mm (12")	Brass	13.58	0.98	12	1.62	1
2 SDP.834.18".XX.XXX.XXXX.X	457.2mm (18")	Brass	19.57	0.98	18	1.62	1
3 SDP.834.24".XX.XXX.XXXX.X	609.6mm (24")	Brass	25.59	0.98	24	1.62	1
4 SDP.834.36".XX.XXX.XXXX.X	914.4mm (36")	Brass	37.58	0.98	36	1.62	1
5 SDP.834.12".XX.XXX.XXXX.X	304.8mm (12")	Leopard Hammered over Brass	13.58	0.98	12	1.62	1
6 SDP.834.18".XX.XXX.XXXX.X	457.2mm (18")	Leopard Hammered over Brass	19.57	0.98	18	1.62	1
7 SDP.834.24".XX.XXX.XXXX.X	609.6mm (24")	Leopard Hammered over Brass	25.59	0.98	24	1.62	1
8 SDP.834.36".XX.XXX.XXXX.X	914.4mm (36")	Leopard Hammered over Brass	37.58	0.98	36	1.62	1

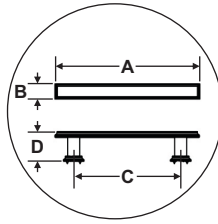
“XX” in item code denotes Finish ID.

“XXX” in item code denotes Door Thickness.

“XXXX” in item code denotes Door Material.

“X” in item code denotes Front Fix or Back Fix.

This product is Supplied with Based on Front Fix or Back Fix Order.





















## How to Order

**SDP.834.12".13.WOOD.1 3/4".BF**

SURFACE MOUNT DOOR PULL      STYLE : ALHAMBRA      SIZE : CC 12 INCH      FINISH ID : 13      DOOR MATERIAL : WOOD      DOOR THICKNESS : 1 3/4 INCH      BF : BACK FIX

## Alhambra Surface Mount Door Pull Finish Options

Base Material : Brass		Standard Finishes (2-3 Weeks Delivery)				
						
Bright Chrome (Finish ID:2)	Brush Nickel (Finish ID:3)	Aged Brass (Finish ID:4)	Unlacquered Polished Brass (Finish ID:7U)	Polished Nickel (Finish ID:8)	Satin Brass (Finish ID:13)	
Base Material : Brass		Custom Finishes (3-4 Weeks Delivery)*				
						
Lacquered Polished Brass (Finish ID:7L)	Matte Black (Finish ID:19)	Satin Chrome (Finish ID:24)	Split Black and Polished Nickel (Finish ID:48)	Split Black and Satin Brass (Finish ID:49)	Split Black And Chrome (Finish ID:59)	Graphite (Finish ID:61)
						
Split Brush Nickel and Satin Brass (Finish ID:78)	Titanium (Finish ID:79)	Split Graphite and Satin Brass (Finish ID:90)	Split Graphite and Brush Chrome (Finish ID:91)	Ombre (Finish ID:92)	Brush Chrome (Finish ID:95)	Leopard Hammered over Brush Nickel (Finish ID:99-3)
						
Leopard Hammered over Aged Brass (Finish ID:99-4)	Leopard Hammered over Polished Nickel (Finish ID:99-8)	Leopard Hammered over Satin Brass (Finish ID:99-13)				

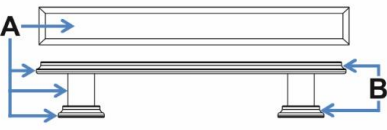
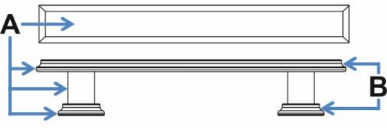
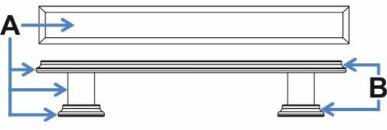
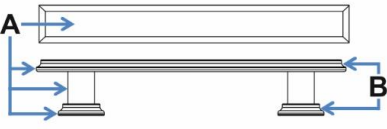


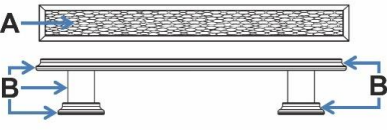
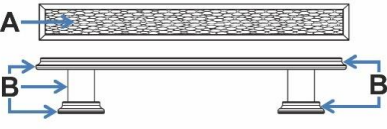
- Custom finishes cannot be returned or refunded. We are unable to accept cancellations for custom finish order unless within 48 hours of the order being placed.
- We have uniform pricing for all non-hammered finishes listed above as long as base material and size is same.
- Contact us for customized finishes, refer pages F1, F2, F3 & F4 for finish glossary.

Front Fix (FF)	
Door Material	Door Thickness
1. Wood	1", 1 1/4", 1 1/2", 1 3/4", 2", 2 1/4", 2 1/2"
2. Metal	1", 1 1/4", 1 1/2", 1 3/4", 2", 2 1/4", 2 1/2"
Back Fix (BF)	
Door Material	Door Thickness
1. Wood	5/16", 3/8", 1/2", 3/4", 1", 1 1/4", 1 1/2", 1 3/4", 2", 2 1/4", 2 1/2"
2. Metal	5/16", 3/8", 1/2", 3/4", 1", 1 1/4", 1 1/2", 1 3/4", 2", 2 1/4", 2 1/2"
3. Glass	5/16", 3/8", 1/2", 3/4", 1"

- Custom finishes cannot be returned or refunded. We are unable to accept cancellations for custom finish order unless within 48 hours of the order being placed.
- We have uniform pricing for all non-hammered finishes listed above as long as base material and size is same.
- Contact us for customized finishes, refer pages F1, F2, F3 & F4 for finish glossary.

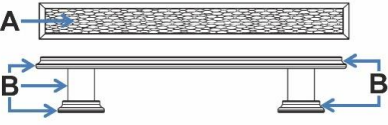
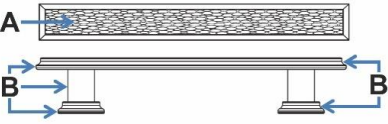
## Alhambra Surface Mount Door Pull Split Finish

**SDP.834.XX.XX**

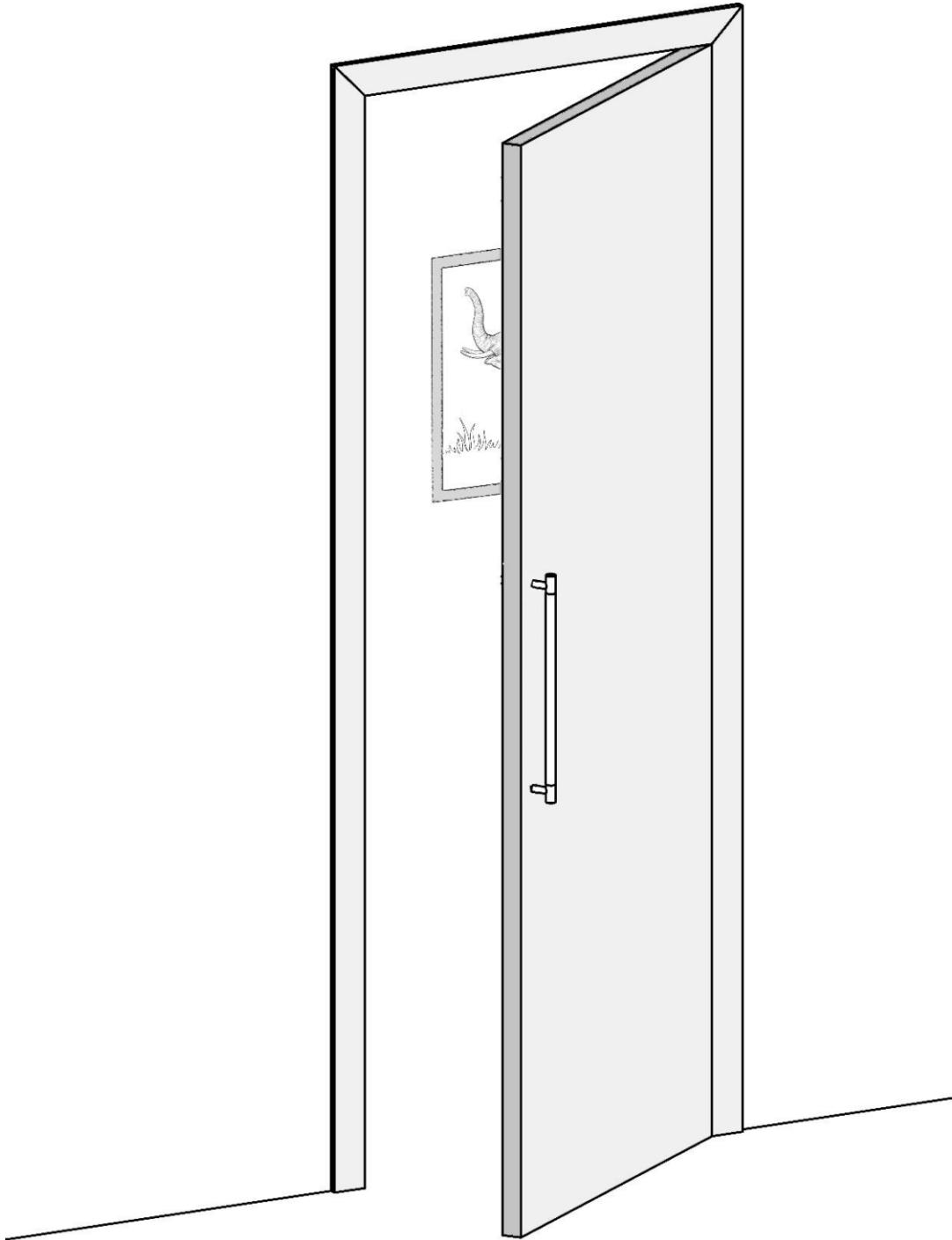
FINISH CODE (XX)	FINISH NAME	LINE DRAWING	A	B
SDP.834.XX.48	Split Black and Polished Nickel		Matte Black	Polished Nickel
SDP.834.XX.49	Split Black and Satin Brass		Matte Black	Satin Brass
SDP.834.XX.59	Split Black and Chrome		Matte Black	Bright Chrome
SDP.834.XX.78	Split Brush Nickel and Satin Brass		Brush Nickel	Satin Brass
SDP.834.XX.90	Split Graphite and Satin Brass		Graphite	Satin Brass
SDP.834.XX.91	Split Graphite and Brush Chrome		Graphite	Brush Chrome
SDP.834.XX.99-3	Hammered Texture over Brush Nickel		Hammered Texture over Brush Nickel	Brush Nickel
SDP.834.XX.99-4	Hammered Texture over Aged Brass		Hammered Texture over Aged Brass	Aged Brass

**Alhambra Surface Mount Door Pull Split Finish**

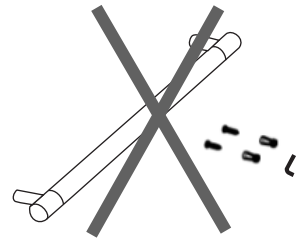
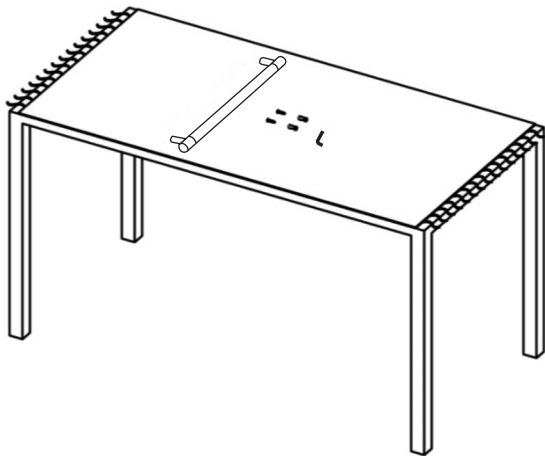
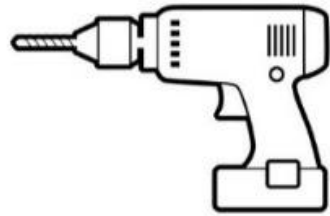
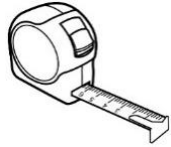
**SDP.834.XX.XX**

FINISH CODE (XX)	FINISH NAME	LINE DRAWING	A	B
SDP.834.XX.99-8	Hammered Texture over Polished Nickel		Hammered Texture over Polished Nickel	Polished Nickel
SDP.834.XX.99-13	Hammered Texture over Satin Brass		Hammered Texture over Satin Brass	Satin Brass

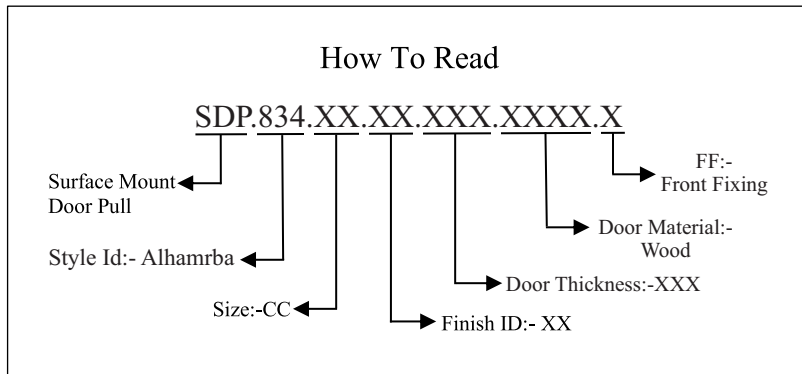
**SURFACE MOUNT FRONT FIXING  
HANDLE ILLUSTRATED**



Required Tools



Step Wise Packing List			
S. No.	Part Number	Qty.	Steps
1	SDP.834.XX.XX.XXX.XXXX.X	1x	1
2	SDP.FFPIN	2x	3
3	WSSSCSKPFH.XX	2x	4
4	LNKY. 2.5	1x	4
5	Manual	1x	-



SDP.834.XX.XX.XXX.XXXX.X



SDP.FFPIN

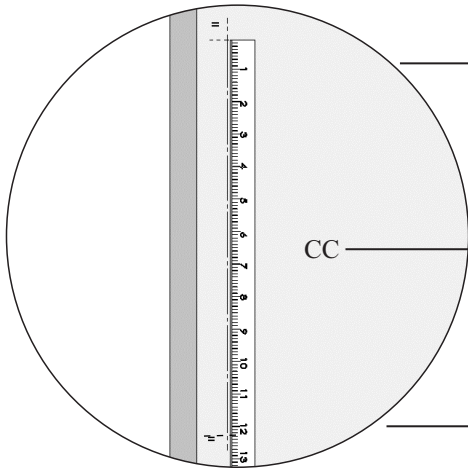
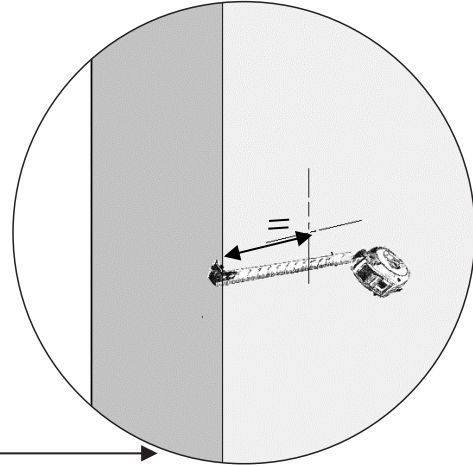
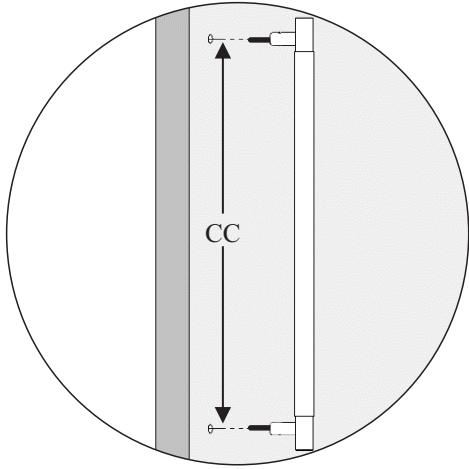


WSSSCSKPFH.XX



LNKY. 2.5

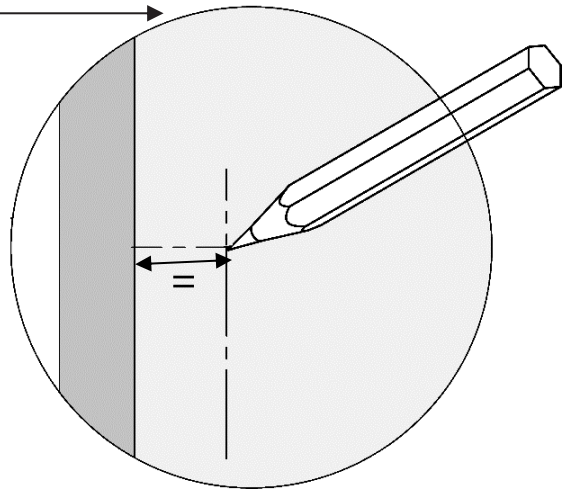
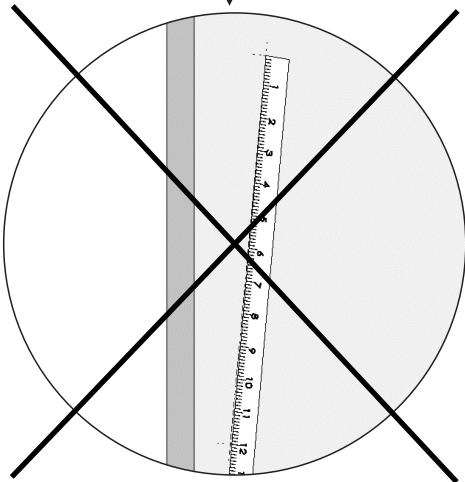
STEP-1



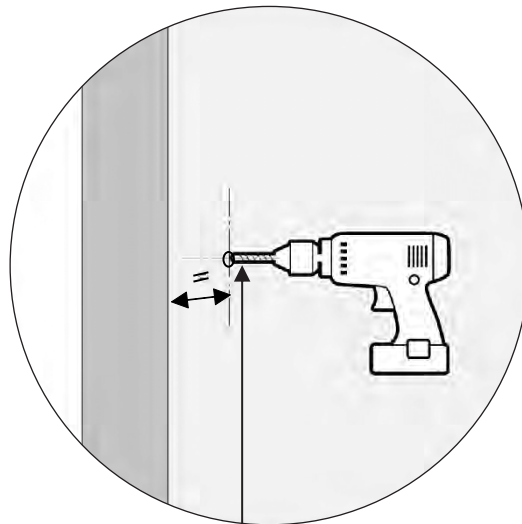
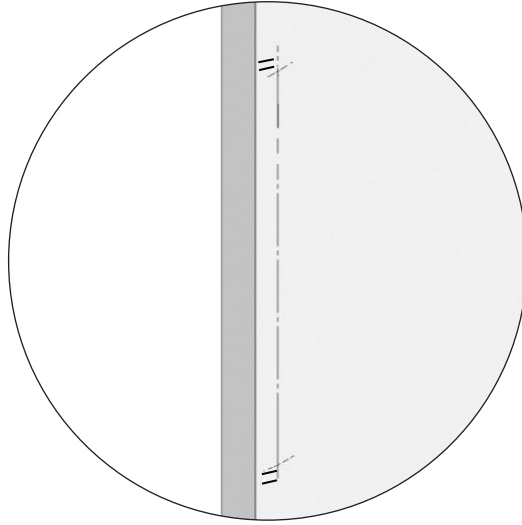
SDP.834.XX.XX.XXX.XXXX.X

Size:-CC

- 12"
- 18"
- 24"
- 36"



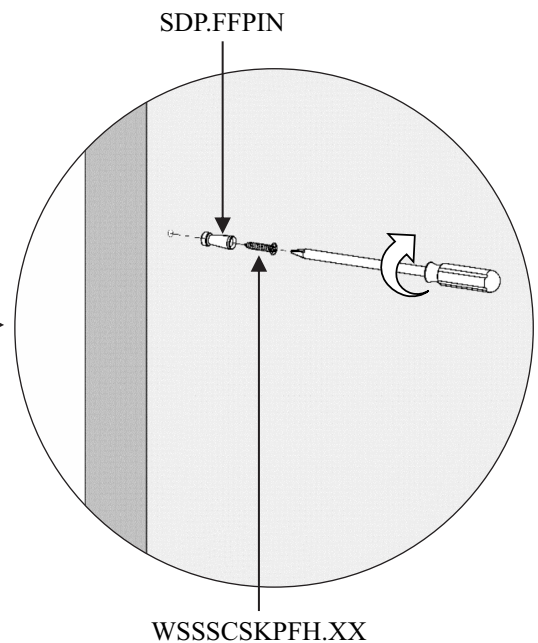
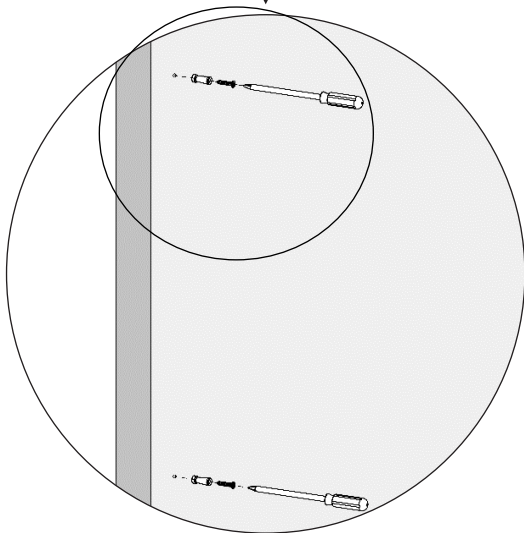
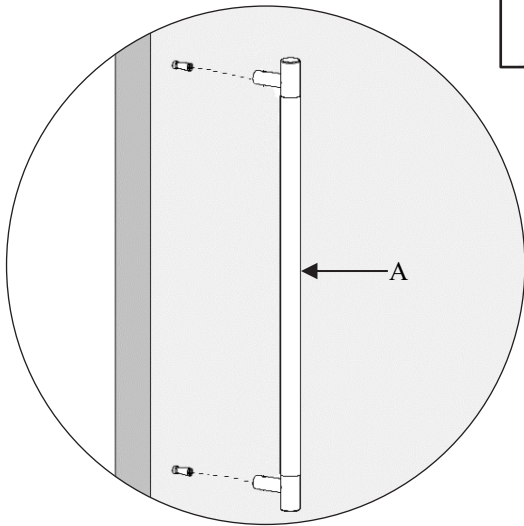
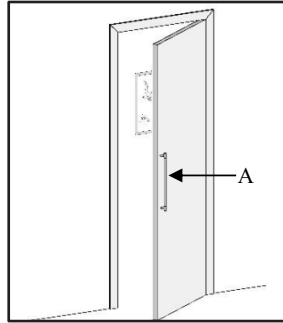
STEP-2



DRILL SIZE			
	Glass	Wood	Metal
SDP FF	N/A	1/10" (2.5mm)	N/A

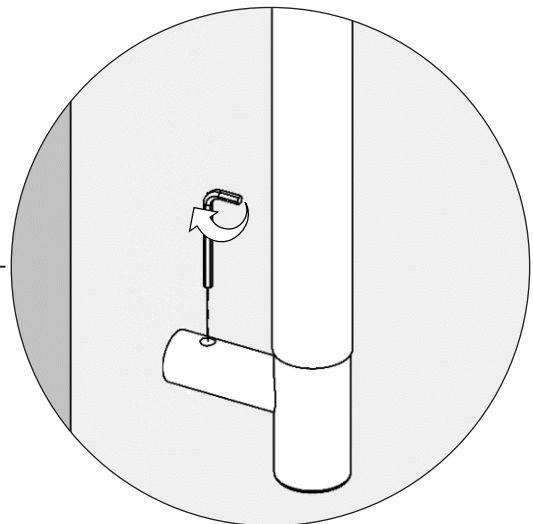
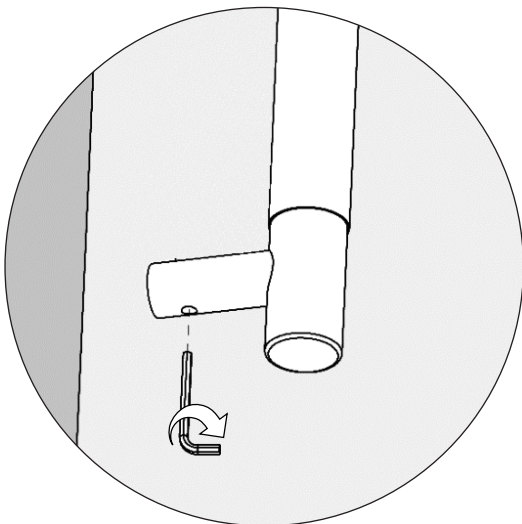
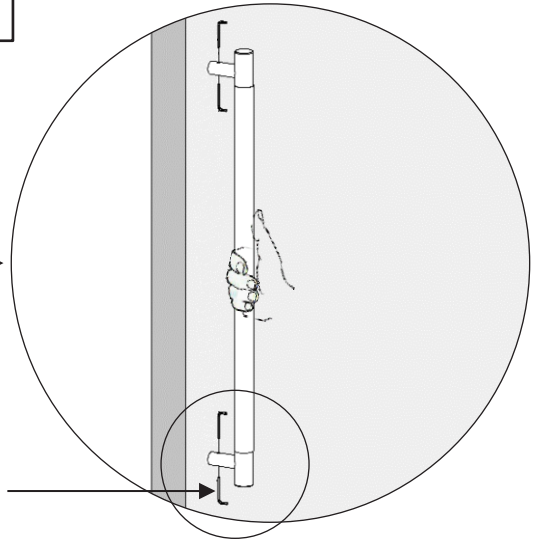
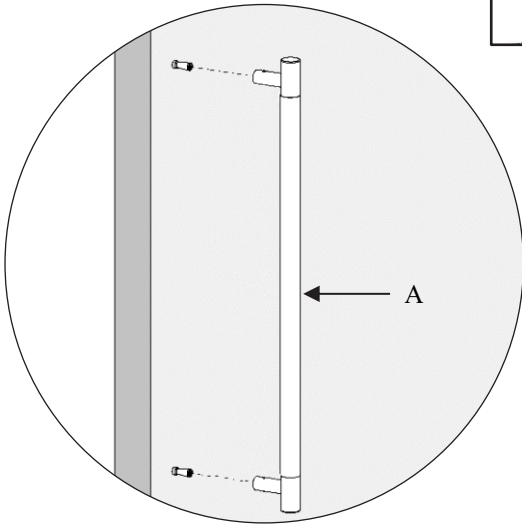
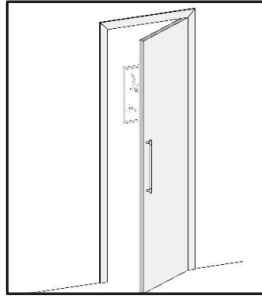
STEP-3

Step Wise Packing List			
S. No.	Part Number	Qty.	Steps
2	SDP.FFPIN	2x	3
3	WSSCSKPFH.XX	2x	3

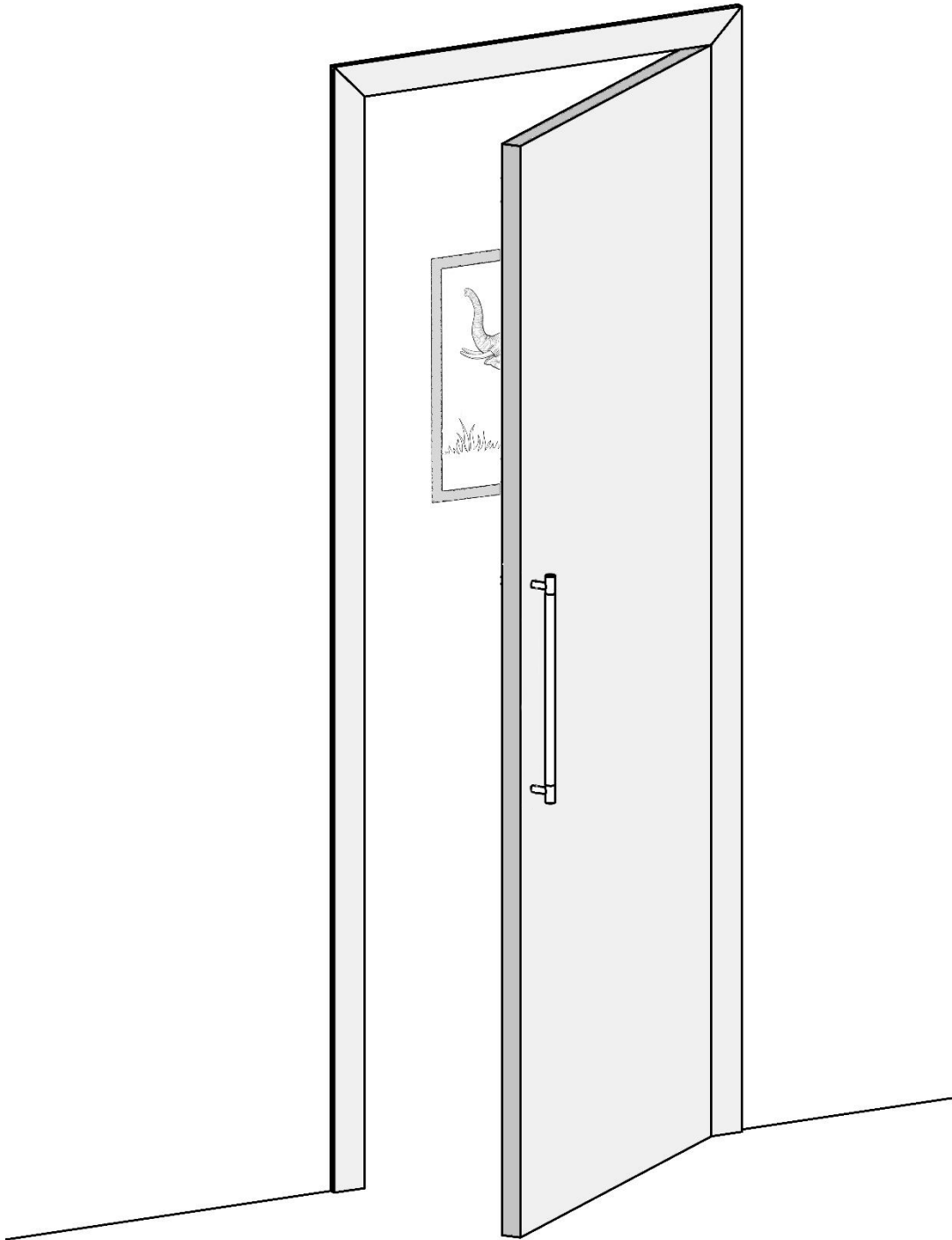


STEP-4

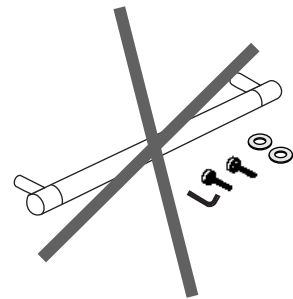
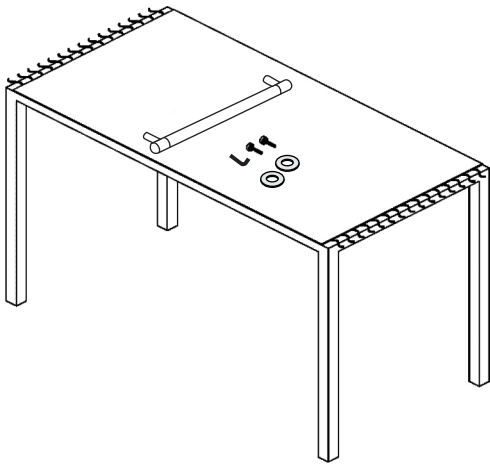
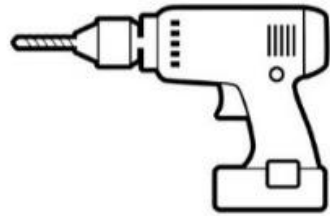
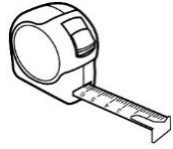
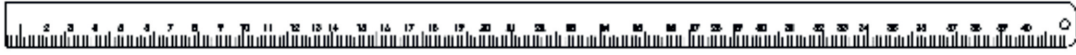
Step Wise Packing List			
S. No.	Part Number	Qty.	Steps
4	LNKY.4	1x	4



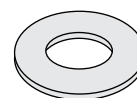
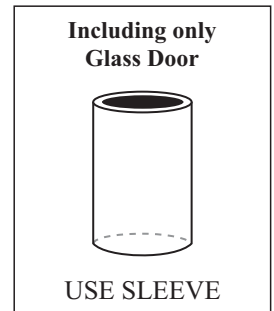
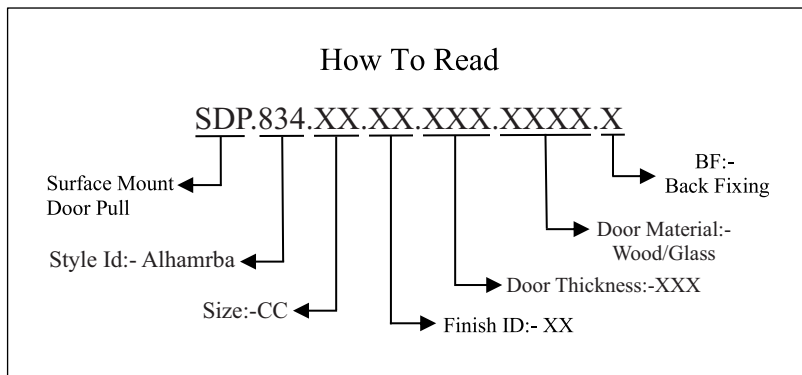
**SURFACE MOUNT BACK FIXING  
HANDLE ILLUSTRATED**



Required Tools



Step Wise Packing List			
S. No.	Part Number	Qty.	Steps
1	SDP.834.XX.XX.XXX.XXXX.X	1x	1
2	SLEEVE	1x	3
3	MSCCSKPH.XX	2x	3
4	SDP.BUSH	2x	3
5	LNKY.4	1x	3
6	WASHER	2x	3
7	SDP.CAP	2x	4
8	Manual	1x	-



SDP.834.XX.XX.XXX.XXXX.X

MSCCSKPH.XX

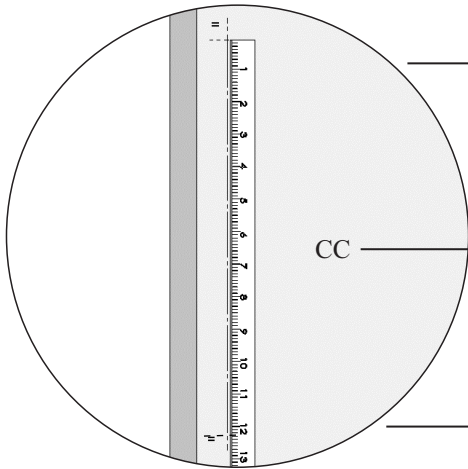
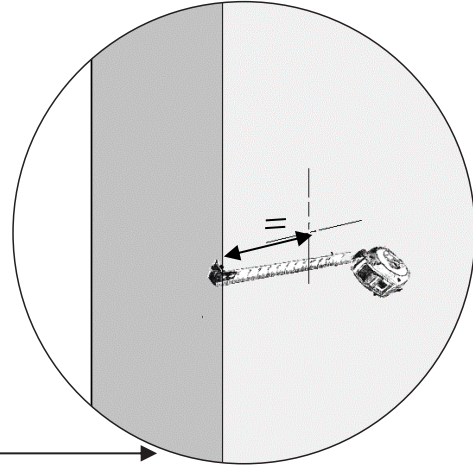
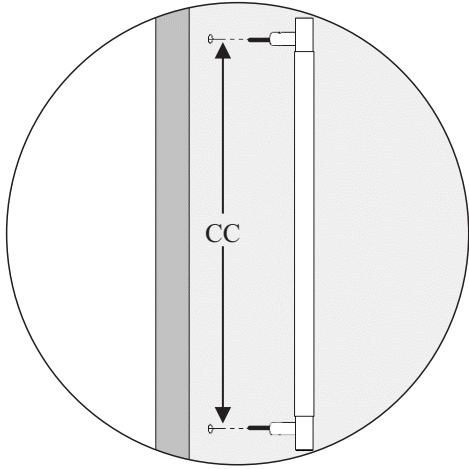
SDP.BUSH

LNKY 4

WASHER

SDP.CAP

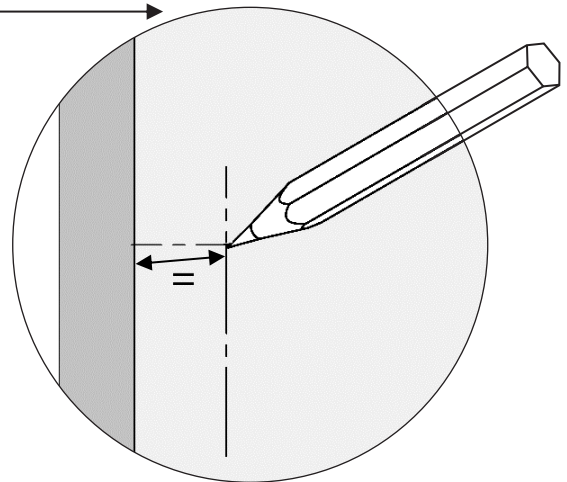
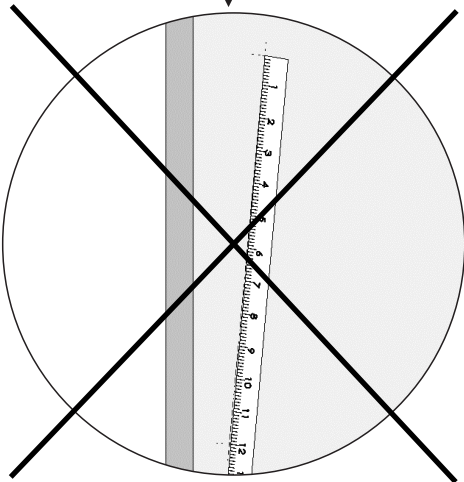
STEP-1



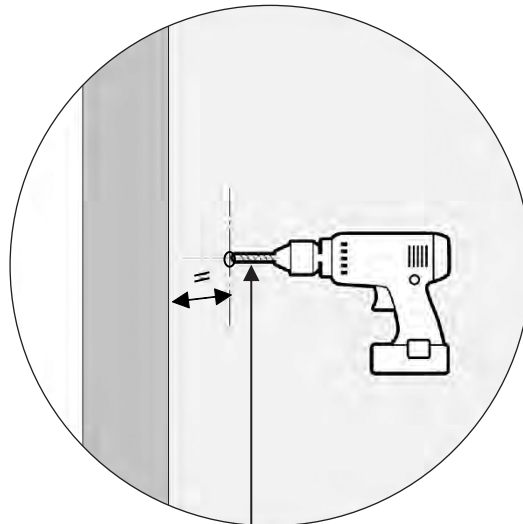
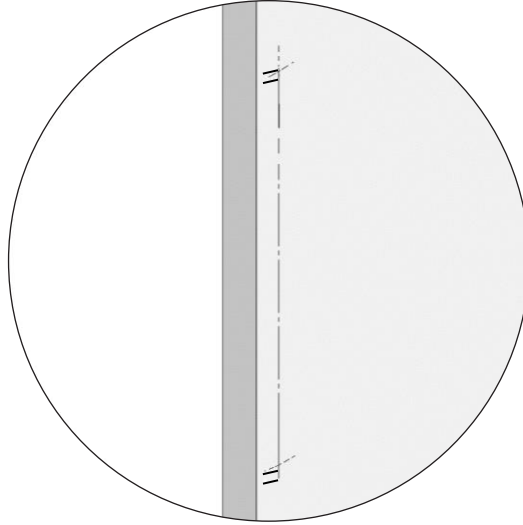
SDP.834.XX.XX.XXX.XXXX.X

Size:-CC

- 12"
- 18"
- 24"
- 36"



STEP-2



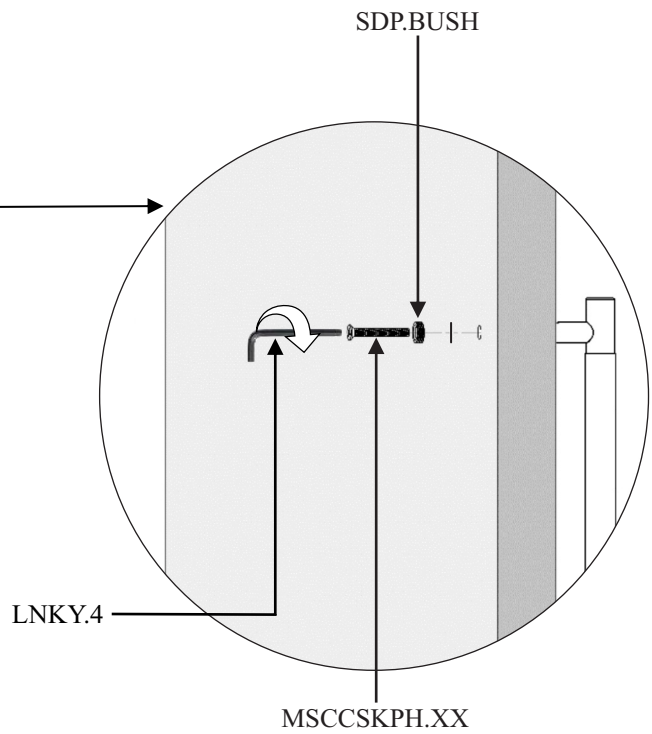
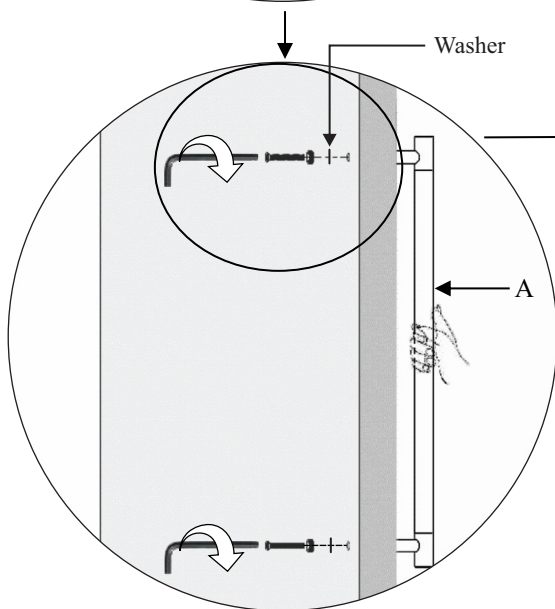
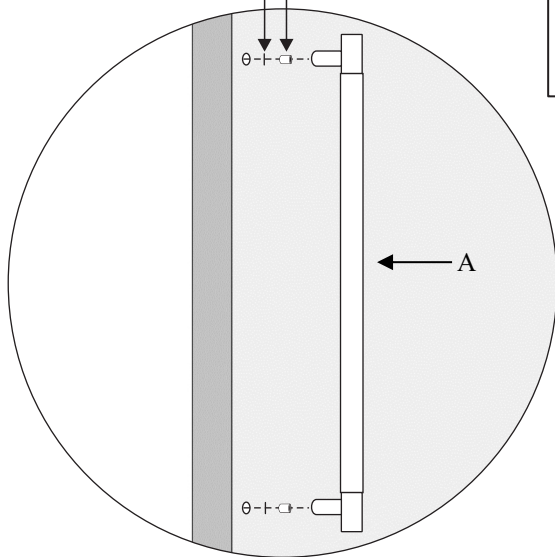
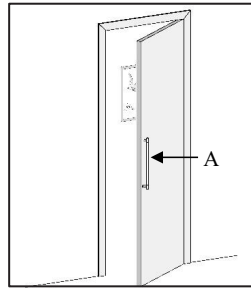
DRILL SIZE			
	Glass	Wood	Metal
SDP BF	3/8" (9.5mm)	1/4" (6.4mm)	1/4" (6.4mm)

STEP-3

Step Wise Packing List			
S.No.	Part Number	Qty	Steps
2	MSCCSKPH.XX	2x	3
3	SDP.BUSH	2x	3
4	LNKY .4	1x	3
5	WASHER	2x	3

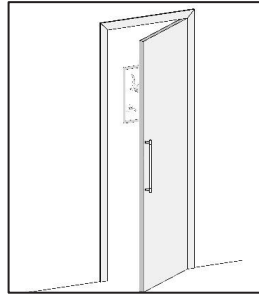
Including only  
Glass Door  
use Sleeve

Washer



STEP-4

Step Wise Packing List			
S.No.	Part Number	Qty	Steps
7	SDP.CAP	2x	4



SDP.CAP

