



Bright Chrome (Finish ID:2)

STALK SURFACE MOUNT DOOR PULL

Bamboo has been used as a building material for more than 7000 years, more widely understood in the 1920's. Stalk reflects the trend where more and more architects are seeing the beauty, intelligence and sustain ability of using bamboo for construction and surface decoration.

	Item Code	Size (mm & Inches)	Material	Size (Inches)				Fig.
				A	B	C	D	
1	SDP.833.12".XX.XXX.XXXX.X	304.8mm (12")	Brass	14.49	0.98	12	2.22	1
2	SDP.833.18".XX.XXX.XXXX.X	457.2mm (18")	Brass	20.51	0.98	18	2.22	1
3	SDP.833.12".XX.XXX.XXXX.X	304.8mm (12")	Bronze	14.49	0.98	12	2.22	1
4	SDP.833.18".XX.XXX.XXXX.X	457.2mm (18")	Bronze	20.51	0.98	18	2.22	1

"XX" in item code denotes Finish ID.

"XXX" in item code denotes Door Thickness.

"XXXX" in item code denotes Door Material.

"X" in item code denotes Front Fix or Back Fix.

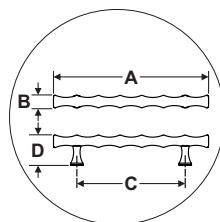
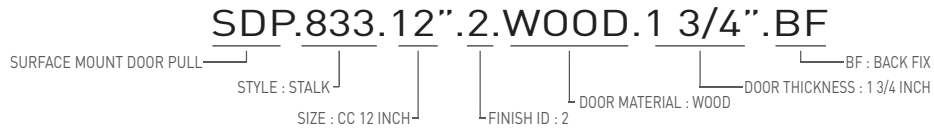


FIG. 1

This product is Supplied with Based on Front Fix or Back Fix Order.

How to Order



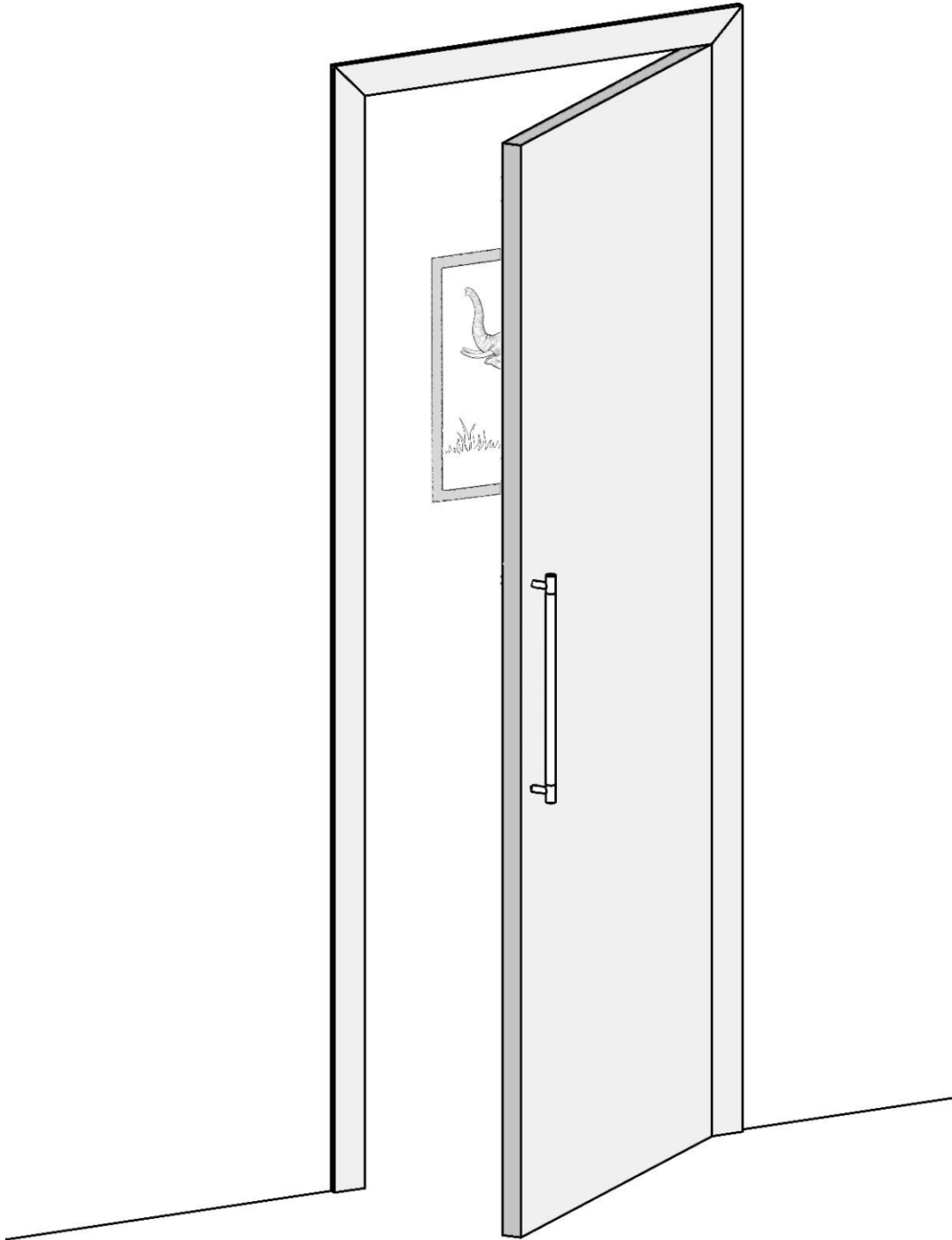
Stalk Surface Mount Door Pull Finish Options

Base Material : Brass	Standard Finishes (2-3 Weeks Delivery)
<p style="text-align: center;">Bright Chrome (Finish ID:2) Brush Nickel (Finish ID:3) Aged Brass (Finish ID:4) Unlacquered Polished Brass (Finish ID:7U) Polished Nickel (Finish ID:8) Satin Brass (Finish ID:13)</p>	
Base Material : Brass	Custom Finishes (3-4 Weeks Delivery)*
<p style="text-align: center;">Lacquered Polished Brass (Finish ID:7L) Matte Black (Finish ID:19) Graphite (Finish ID:61) Titanium (Finish 79) Ombre (Finish ID:92) Brush Chrome (Finish ID:95)</p>	
Base Material : Bronze	Custom Finishes (3-4 Weeks Delivery)*
<p style="text-align: center;">Silicon Bronze Light (Finish ID:53) Silicon Bronze Dark (Finish ID:53D) White Bronze (Finish ID:54)</p>	

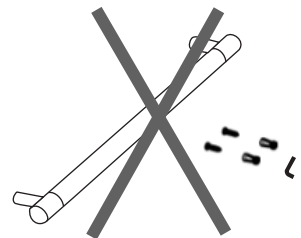
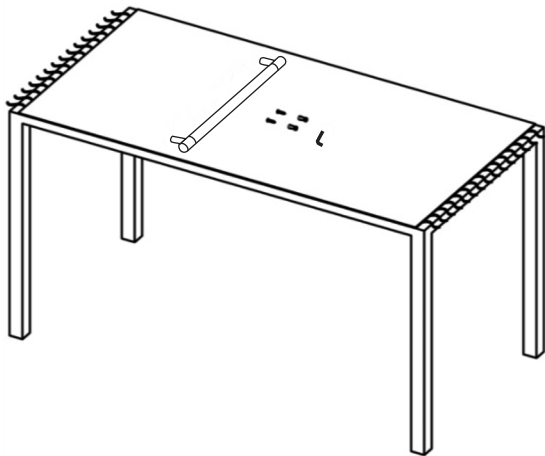
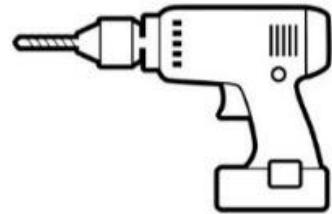
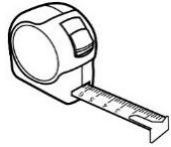
Front Fix (FF)	
Door Material	Door Thickness
1. Wood	1", 1 1/4", 1 1/2", 1 3/4", 2", 2 1/4", 2 1/2"
2. Metal	1", 1 1/4", 1 1/2", 1 3/4", 2", 2 1/4", 2 1/2"
Back Fix (BF)	
Door Material	Door Thickness
1. Wood	5/16", 3/8", 1/2", 3/4", 1", 1 1/4", 1 1/2", 1 3/4", 2", 2 1/4", 2 1/2"
2. Metal	5/16", 3/8", 1/2", 3/4", 1", 1 1/4", 1 1/2", 1 3/4", 2", 2 1/4", 2 1/2"
3. Glass	5/16", 3/8", 1/2", 3/4", 1"

- Custom finishes cannot be returned or refunded. We are unable to accept cancellations for custom finish order unless within 48 hours of the order being placed.
- We have uniform pricing for all non-hammered finishes listed above as long as base material and size is same.
- Contact us for customized finishes, refer pages F1, F2, F3 & F4 for finish glossary.

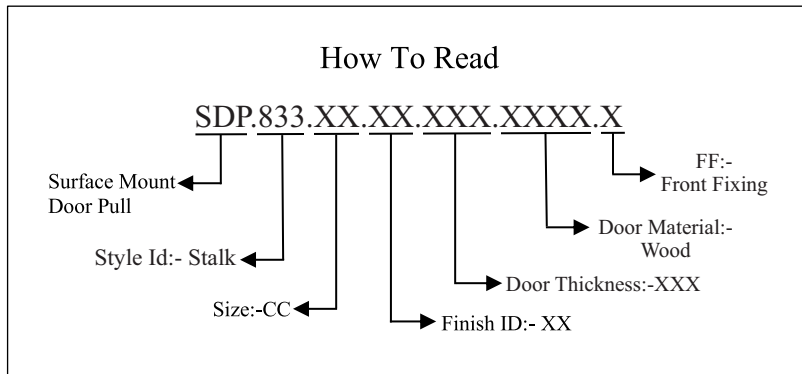
**SURFACE MOUNT FRONT FIXING
HANDLE ILLUSTRATED**



Required Tools



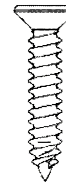
Step Wise Packing List			
S. No.	Part Number	Qty.	Steps
1	SDP.833.XX.XX.XXX.XXXX.X	1x	1
2	SDP.FFPIN	2x	3
3	WSSSCSKPFH.XX	2x	3
4	LNKY. 2.5	1x	4
5	Manual	1x	-



SDP.833.XX.XX.XXX.XXXX.X



SDP.FFPIN

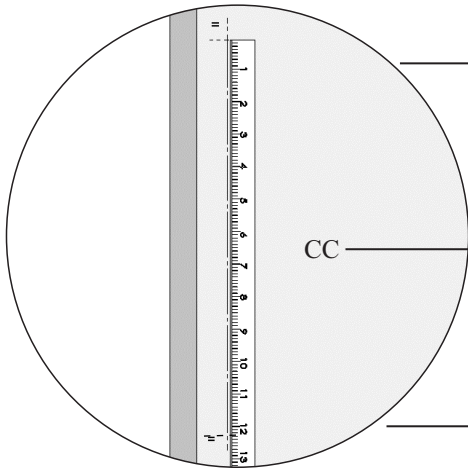
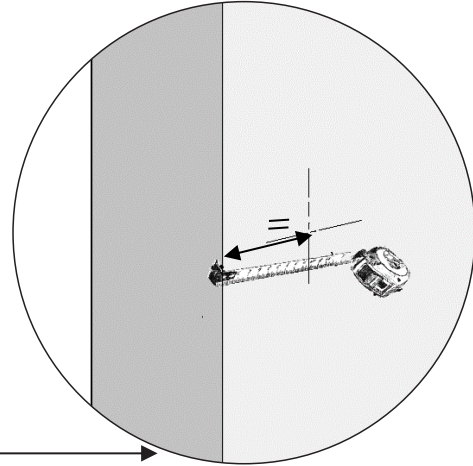
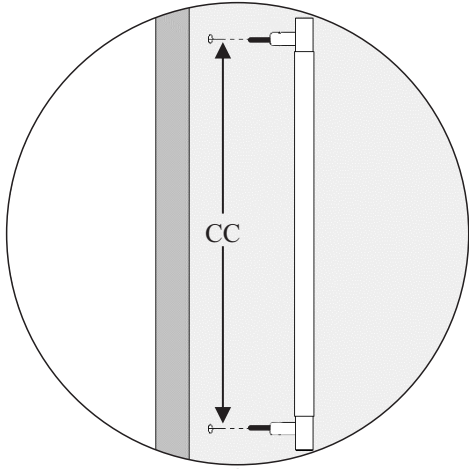


WSSSCSKPFH.XX



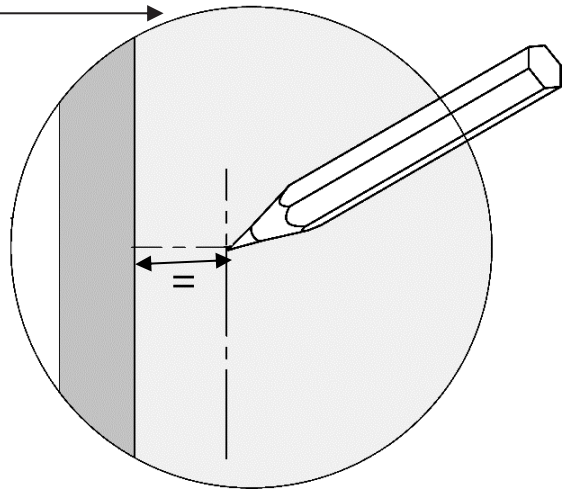
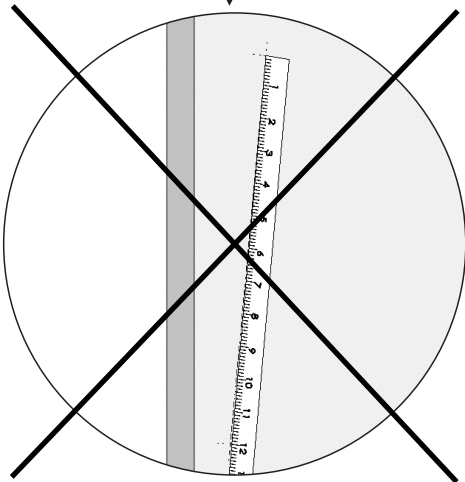
LNKY. 2.5

STEP-1

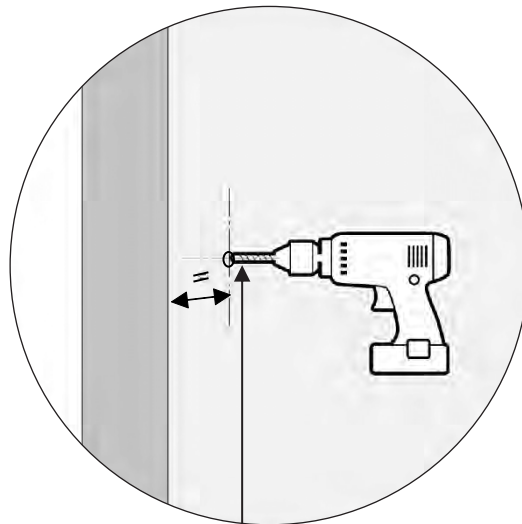
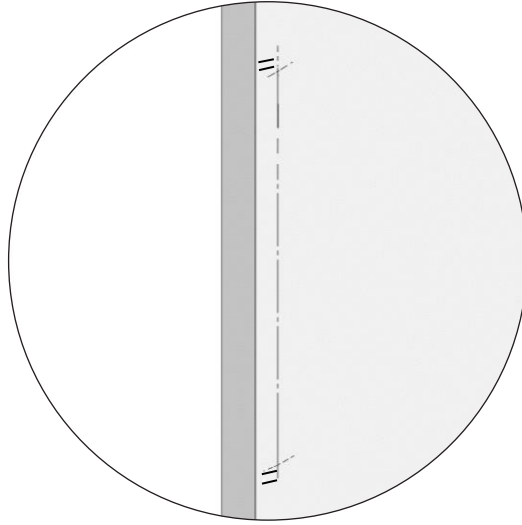


SDP.833.XX.XX.XXX.XXXX.X

Size:-CC
↓
12"
18"



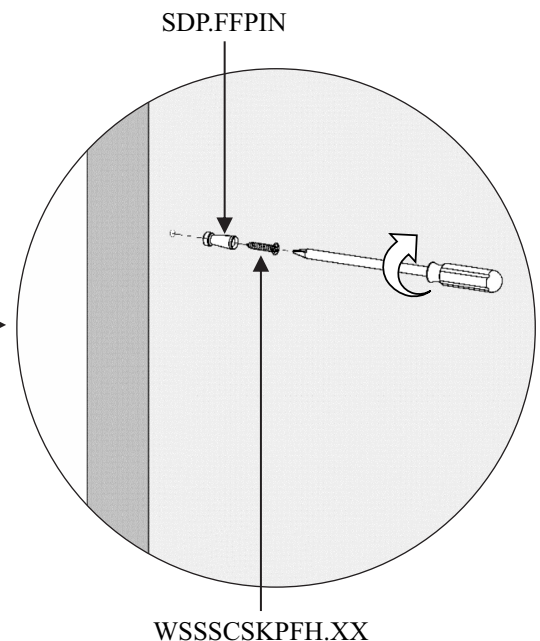
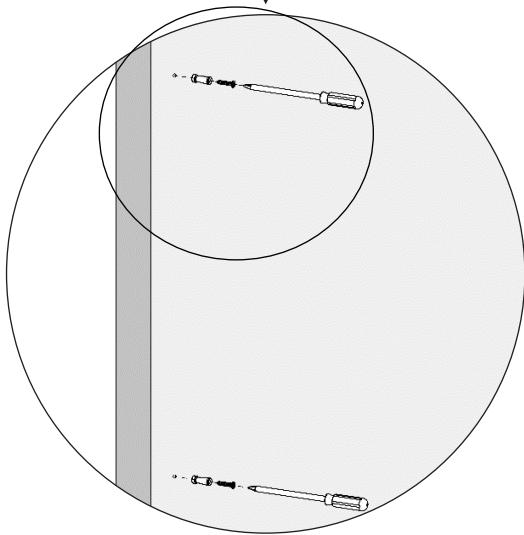
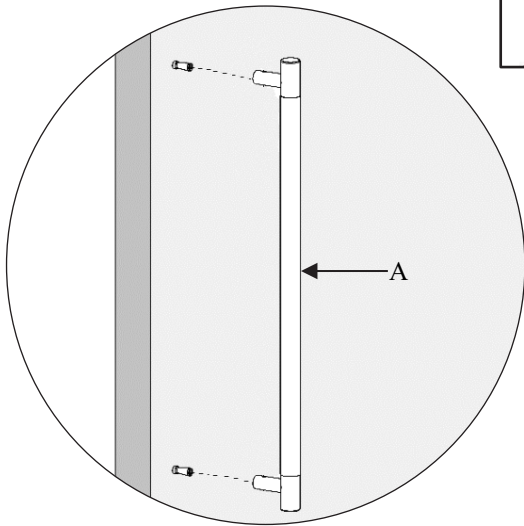
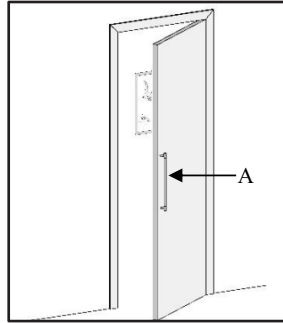
STEP-2



DRILL SIZE			
	Glass	Wood	Metal
SDP FF	N/A	1/10" (2.5mm)	N/A

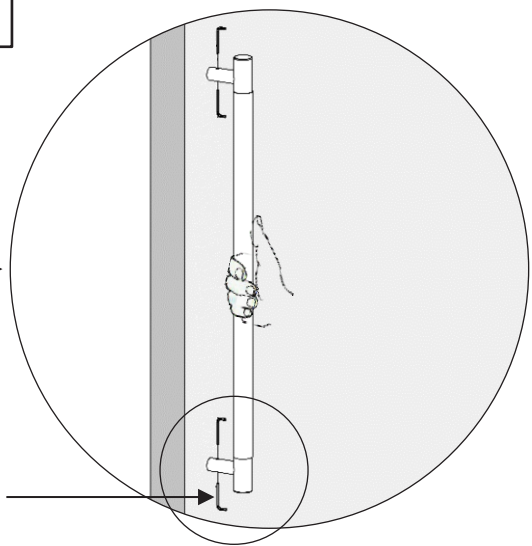
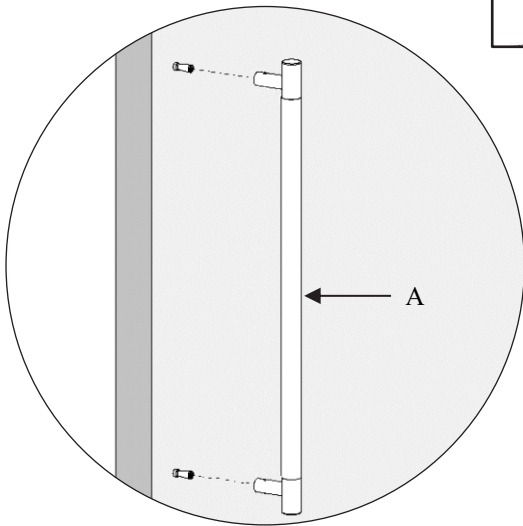
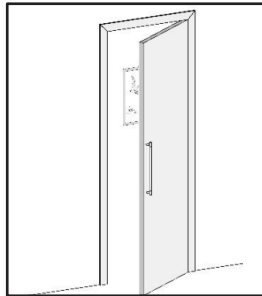
STEP-3

Step Wise Packing List			
S. No.	Part Number	Qty.	Steps
2	SDP.FFPIN	2x	3
3	WSSCSKPFH.XX	2x	3

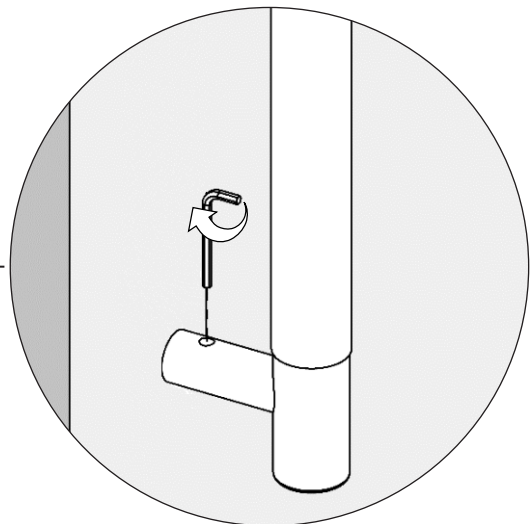
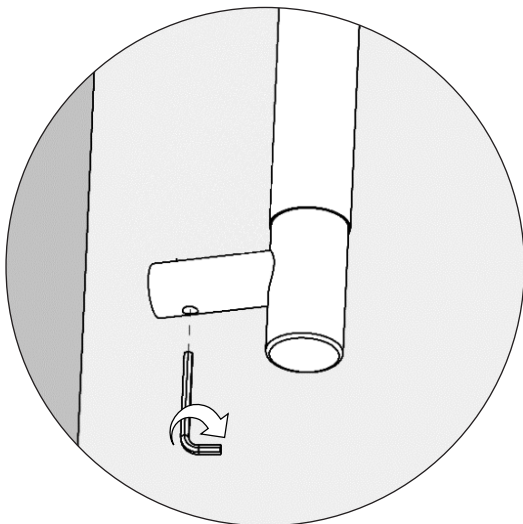


STEP-4

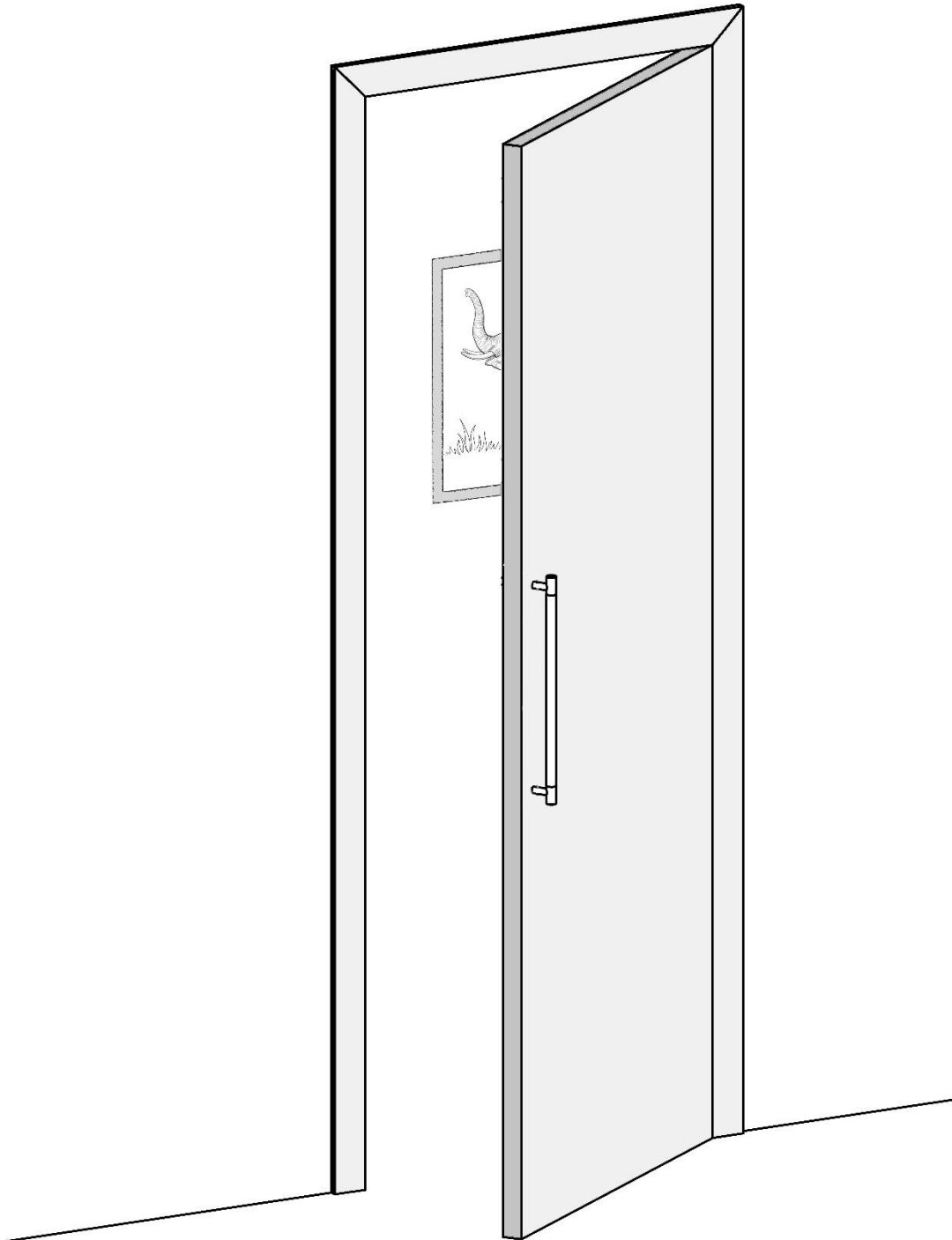
Step Wise Packing List			
S. No.	Part Number	Qty.	Steps
4	LNKY. 2.5	1x	4



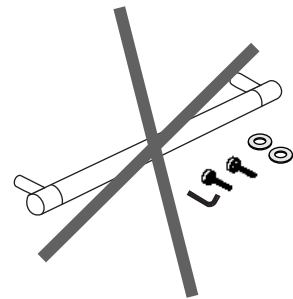
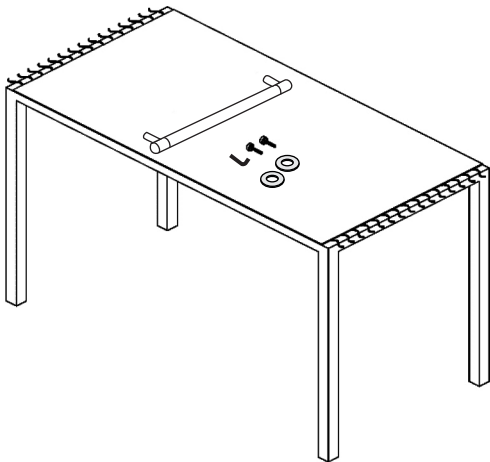
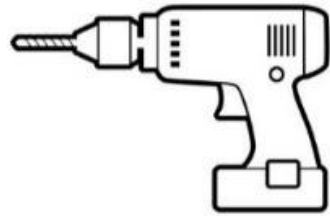
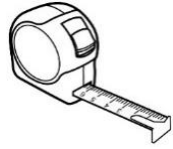
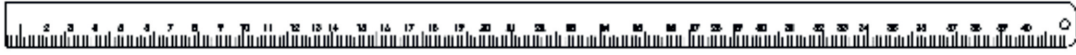
LNKY.2.5



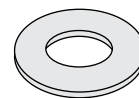
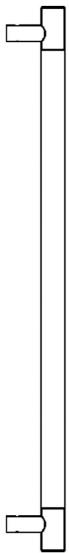
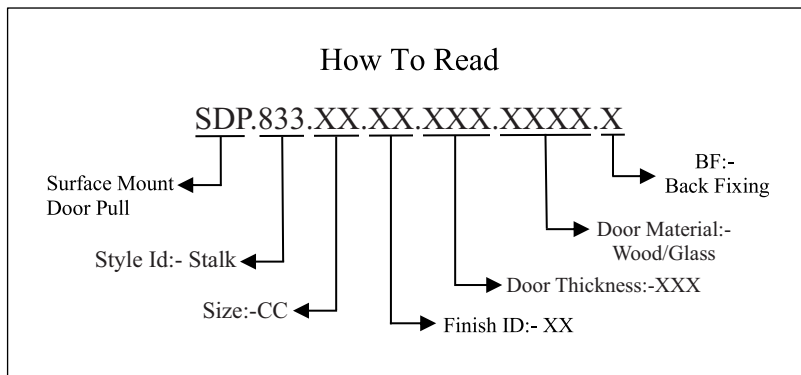
**SURFACE MOUNT BACK FIXING
HANDLE ILLUSTRATED**



Required Tools



Step Wise Packing List			
S. No.	Part Number	Qty.	Steps
1	SDP.833.XX.XX.XXX.XXXX.X	1x	1
2	SLEEVE	1x	3
3	MSCCSKPH.XX	2x	3
4	SDP.BUSH	2x	3
5	LNKY.4	1x	3
6	WASHER	2x	3
7	SDP.CAP	2x	4
8	Manual	1x	-



SDP.833.XX.XX.XXX.XXXX.X

MSCCSKPH.XX

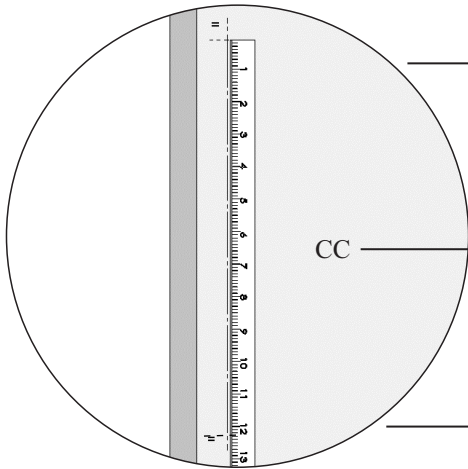
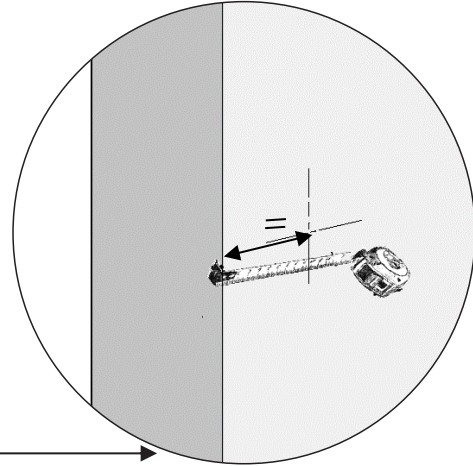
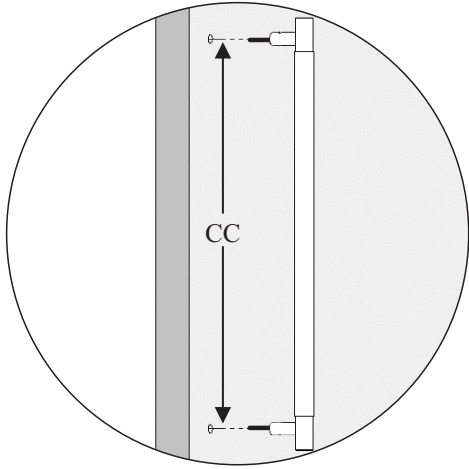
SDP.BUSH

LNKY 4

WASHER

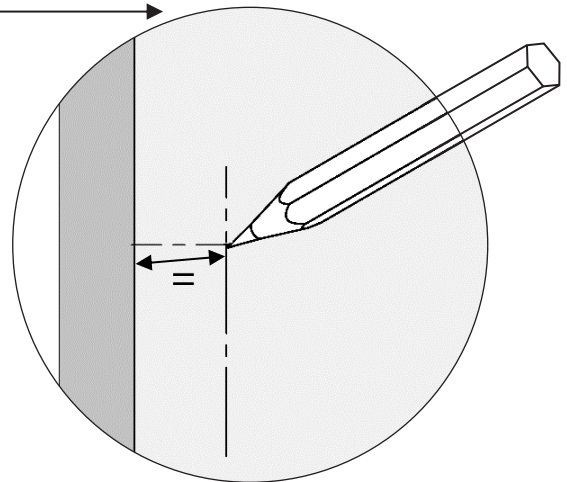
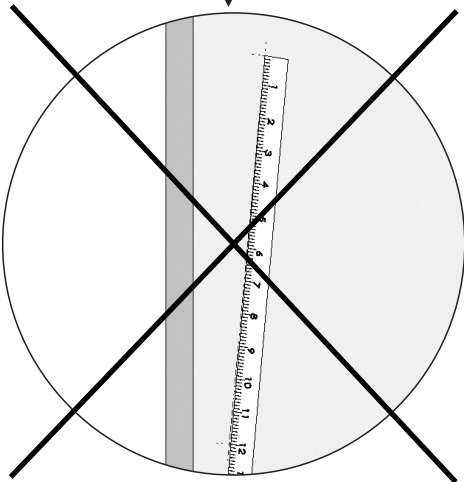
SDP.CAP

STEP-1

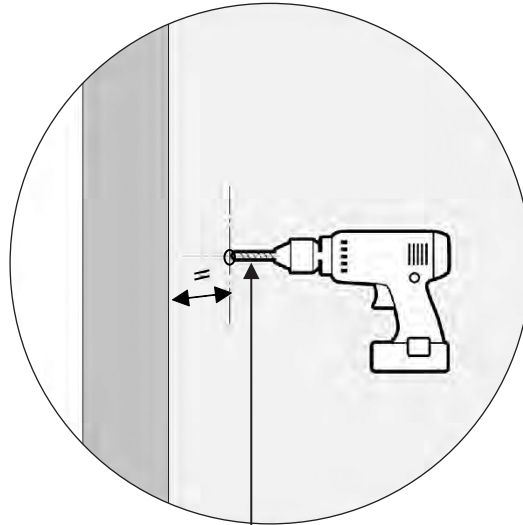
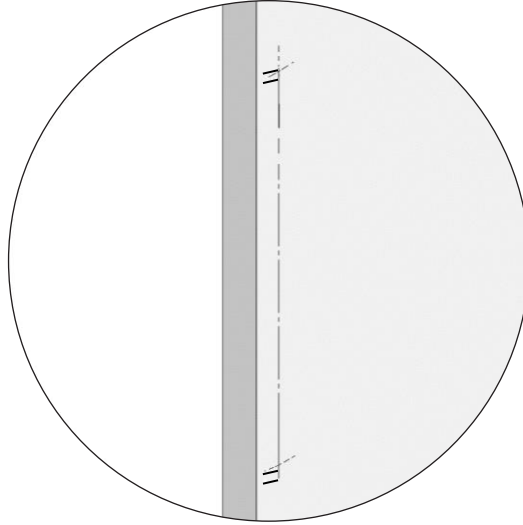


SDP.833.XX.XX.XXX.XXXX.X

Size:-CC
12"
18"



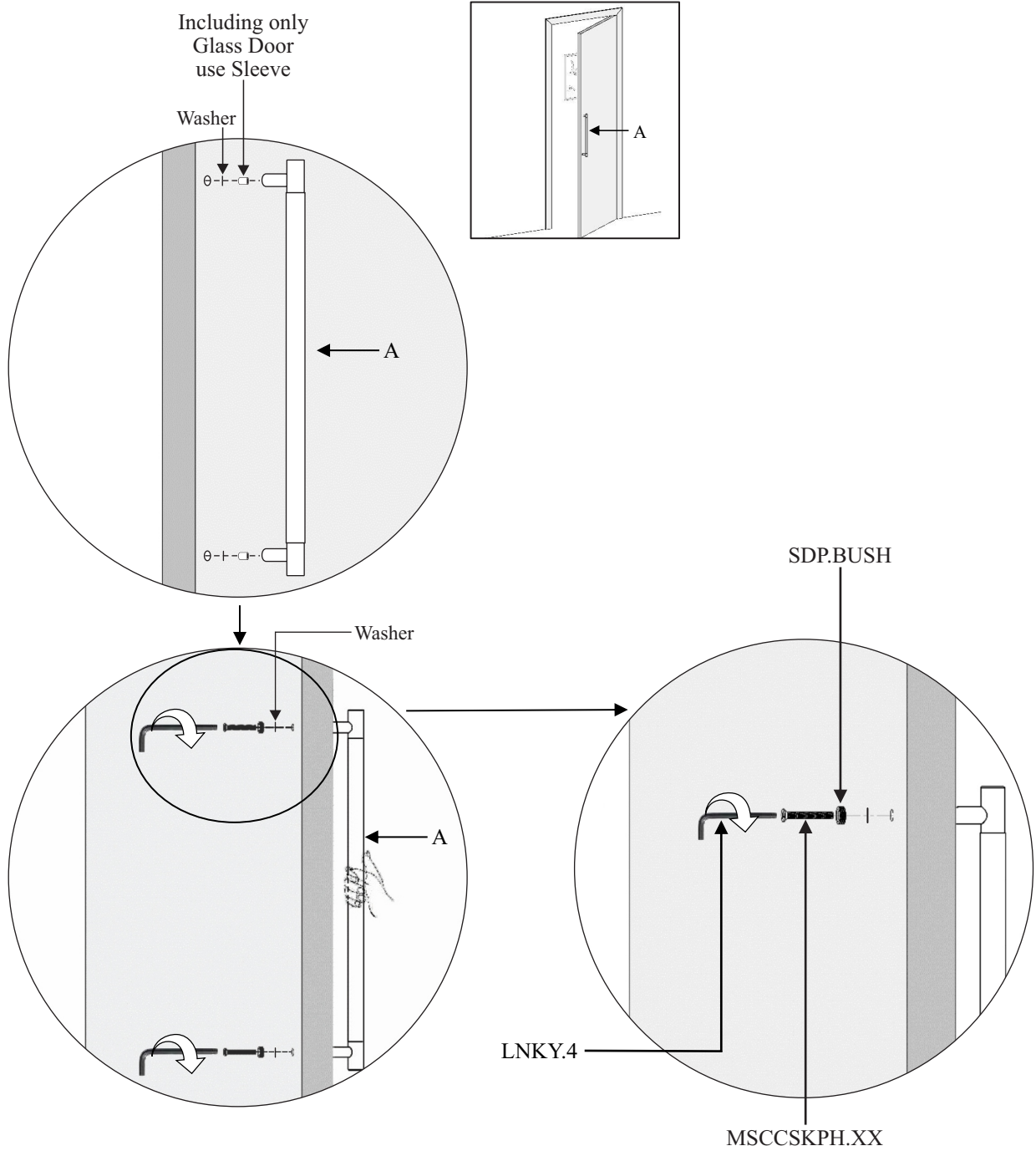
STEP-2



DRILL SIZE			
	Glass	Wood	Metal
SDP BF	3/8" (9.5mm)	1/4" (6.4mm)	1/4" (6.4mm)

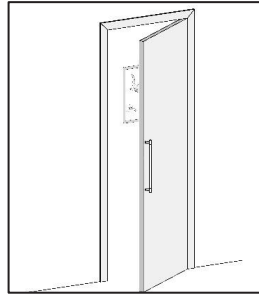
STEP-3

Step Wise Packing List			
S.No.	Part Number	Qty	Steps
2	SLEEVE	1x	3
3	MSCCSKPH.XX	2x	3
4	SDP.BUSH	2x	3
5	LNKY .4	1x	3
6	WASHER	2x	3



STEP-4

Step Wise Packing List			
S.No.	Part Number	Qty	Steps
7	SDP.CAP	2x	4



SDP.CAP

