



Silicon Bronze Light (Finish ID:53)

MONTICELLO SURFACE MOUNT DOOR PULL

	Item Code	Size (mm & Inches)	Material	Size (Inches)				Fig.
				A	B	C	D	
1	SDP.775.12".XX.XXX.XXXX.X	304.8mm (12")	Brass	14.17	0.81	12	2.07	1
2	SDP.775.18".XX.XXX.XXXX.X	457.2mm (18")	Brass	20.16	0.81	18	2.07	1
3	SDP.775.24".XX.XXX.XXXX.X	609.6mm (24")	Brass	26.17	0.81	24	2.07	1
4	SDP.775.36".XX.XXX.XXXX.X	914.4mm (36")	Brass	38.17	0.81	36	2.07	1
5	SDP.775.12".XX.XXX.XXXX.X	304.8mm (12")	Bronze	14.17	0.81	12	2.07	1
6	SDP.775.18".XX.XXX.XXXX.X	457.2mm (18")	Bronze	20.16	0.81	18	2.07	1
7	SDP.775.24".XX.XXX.XXXX.X	609.6mm (24")	Bronze	26.17	0.81	24	2.07	1
8	SDP.775.36".XX.XXX.XXXX.X	914.4mm (36")	Bronze	38.17	0.81	36	2.07	1
9	SDP.775.12".XX.XXX.XXXX.X	304.8mm (12")	Cast Iron	14.17	0.81	12	2.07	1
10	SDP.775.18".XX.XXX.XXXX.X	457.2mm (18")	Cast Iron	20.16	0.81	18	2.07	1

"XX" in item code denotes Finish ID.

"XXX" in item code denotes Door Thickness.

"XXXX" in item code denotes Door Material.

"X" in item code denotes Front Fix or Back Fix.

This product is Supplied with Based on Front Fix or Back Fix Order.

	Item Code	Size (mm & Inches)	Material	Size (Inches)				Fig.
				A	B	C	D	
11	SDP.775.24".XX.XXX.XXXX.X	609.6mm (24")	Cast Iron	26.17	0.81	24	2.07	1
12	SDP.775.36".XX.XXX.XXXX.X	914.4mm (36")	Cast Iron	38.17	0.81	36	2.07	1

"XX" in item code denotes Finish ID.

"XXX" in item code denotes Door Thickness.

"XXXX" in item code denotes Door Material.

"X" in item code denotes Front Fix or Back Fix.

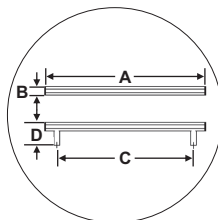
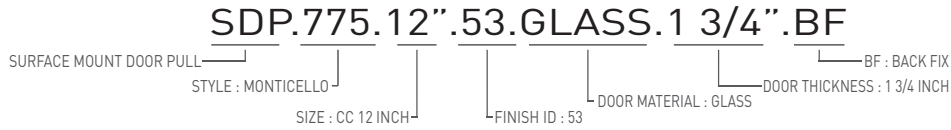
























FIG. 1

This product is Supplied with Based on Front Fix or Back Fix Order.

How to Order



Monticello Surface Mount Door Pull Finish Options

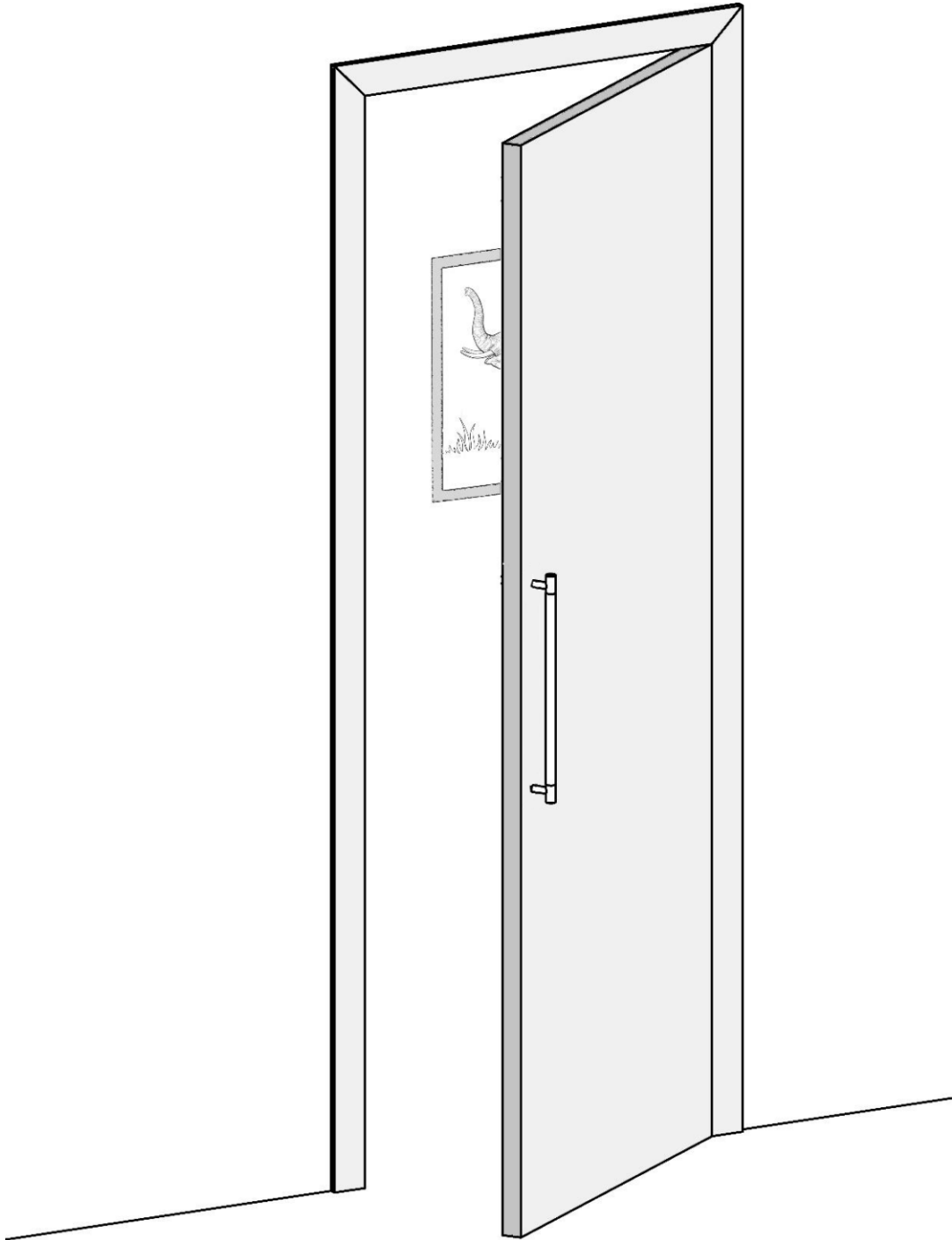
Base Material : Cast Iron Custom Finishes (3-4 Weeks Delivery)*						
 Pewter (Finish ID:1)						
Base Material : Brass Standard Finishes (2-3 Weeks Delivery)						
 Bright Chrome (Finish ID:2)	 Brush Nickel (Finish ID:3)	 Aged Brass (Finish ID:4)	 Unlacquered Polished Brass (Finish ID:7U)	 Polished Nickel (Finish ID:8)	 Satin Brass (Finish ID:13)	
Base Material : Brass Custom Finishes (3-4 Weeks Delivery)*						
 Lacquered Polished Brass (Finish ID:7L)	 Matte Black (Finish ID:19)	 Split Black and Polished Nickel (Finish ID:48)	 Split Black and Satin Brass (Finish ID:49)	 Split Black And Chrome (Finish ID:59)	 Graphite (Finish ID:61)	 Split Brush Nickel and Satin Brass (Finish ID:78)
 Titanium (Finish ID:79)	 Split Graphite and Satin Brass (Finish ID:90)	 Split Graphite and Brush Chrome (Finish ID:91)	 Ombre (Finish ID:92)	 Brush Chrome (Finish ID:95)		
Base Material : Bronze Custom Finishes (3-4 Weeks Delivery)*						
 Silicon Bronze Light (Finish ID:53)	 Silicon Bronze Dark (Finish ID:53D)	 White Bronze (Finish ID:54)				

- Custom finishes cannot be returned or refunded. We are unable to accept cancellations for custom finish order unless within 48 hours of the order being placed.
- We have uniform pricing for all non-hammered finishes listed above as long as base material and size is same.
- Contact us for customized finishes, refer pages F1, F2, F3 & F4 for finish glossary.

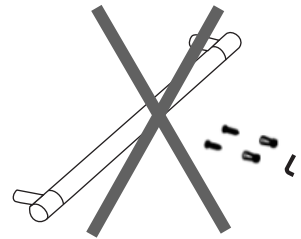
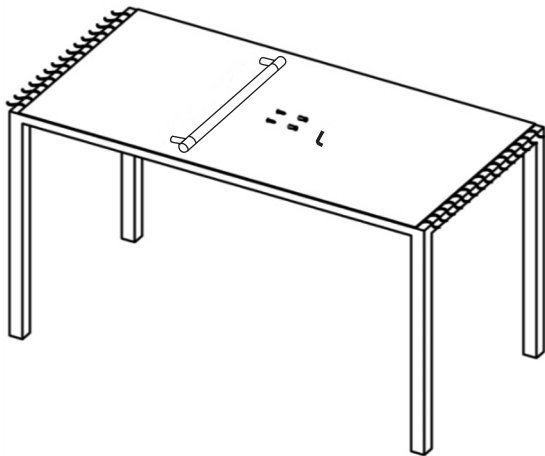
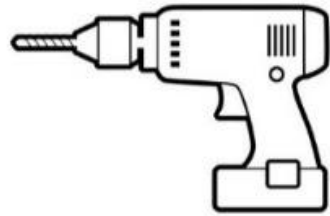
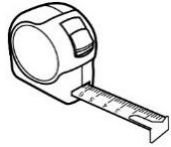
Front Fix (FF)	
Door Material	Door Thickness
1. Wood	1", 1 1/4", 1 1/2", 1 3/4", 2", 2 1/4", 2 1/2"
2. Metal	1", 1 1/4", 1 1/2", 1 3/4", 2", 2 1/4", 2 1/2"
Back Fix (BF)	
Door Material	Door Thickness
1. Wood	5/16", 3/8", 1/2", 3/4", 1", 1 1/4", 1 1/2", 1 3/4", 2", 2 1/4", 2 1/2"
2. Metal	5/16", 3/8", 1/2", 3/4", 1", 1 1/4", 1 1/2", 1 3/4", 2", 2 1/4", 2 1/2"
3. Glass	5/16", 3/8", 1/2", 3/4", 1"

- Custom finishes cannot be returned or refunded. We are unable to accept cancellations for custom finish order unless within 48 hours of the order being placed.
- We have uniform pricing for all non-hammered finishes listed above as long as base material and size is same.
- Contact us for customized finishes, refer pages F1, F2, F3 & F4 for finish glossary.

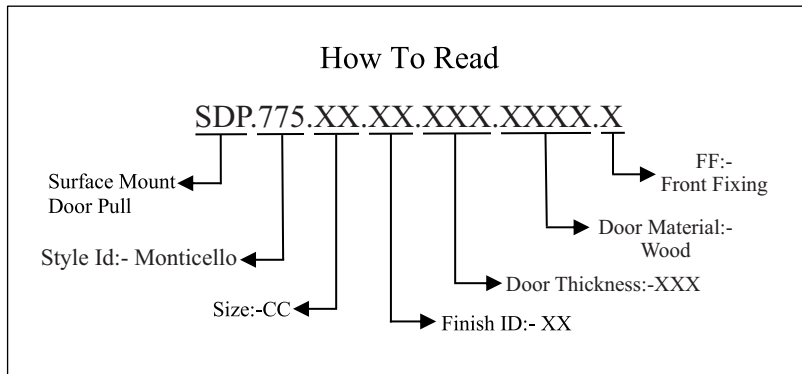
**SURFACE MOUNT FRONT FIXING
HANDLE ILLUSTRATED**



Required Tools



Step Wise Packing List			
S. No.	Part Number	Qty.	Steps
1	SDP.775.XX.XX.XXX.XXXX.X	1x	1
2	SDP.FFPIN	2x	3
3	WSSSCSKPFH.XX	2x	3
4	LNKY. 2.5	1x	4
5	Manual	1x	-



SDP.775.XX.XX.XXX.XXXX.X



SDP.FFPIN

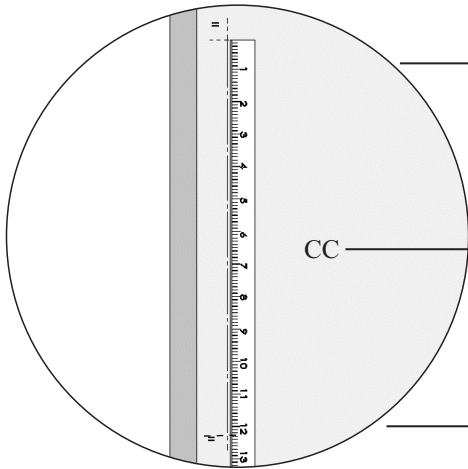
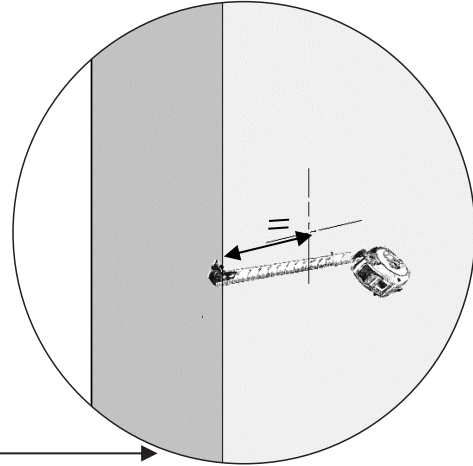
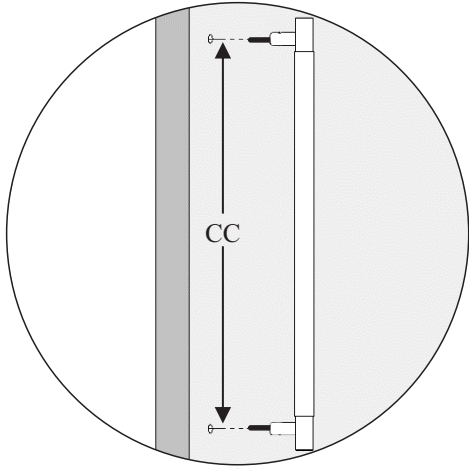


WSSSCSKPFH.XX



LNKY. 2.5

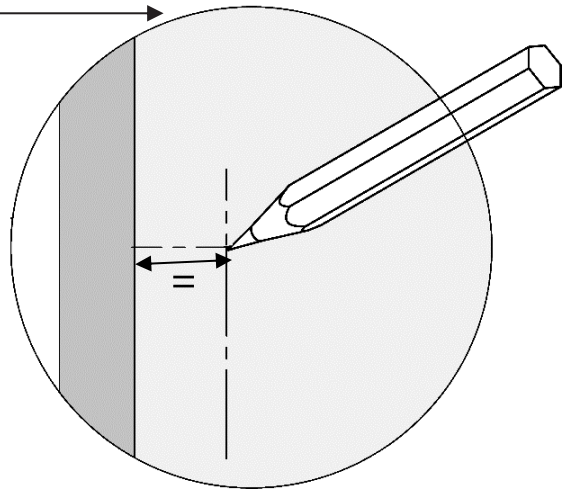
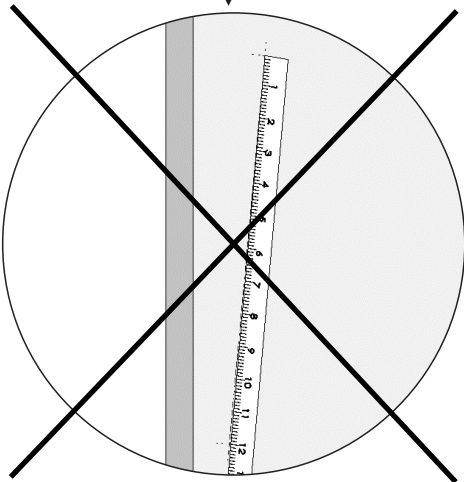
STEP-1



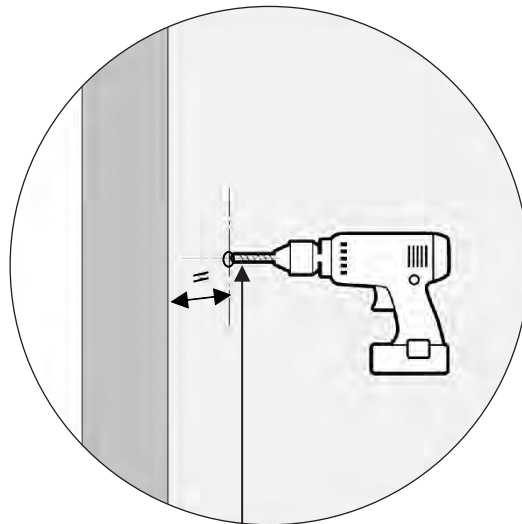
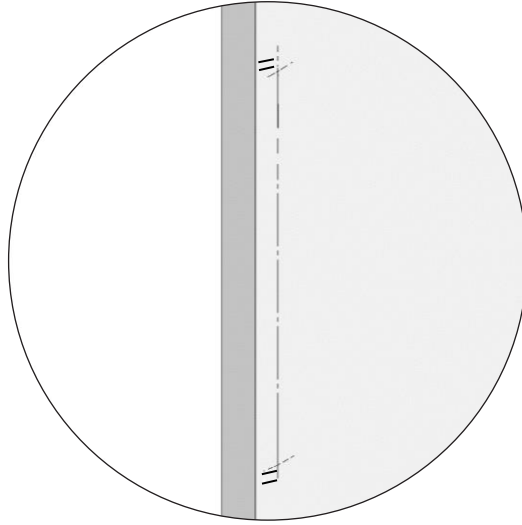
SDP.775.XX.XX.XXX.XXXX.X

Size:-CC

- 12"
- 18"
- 24"
- 36"



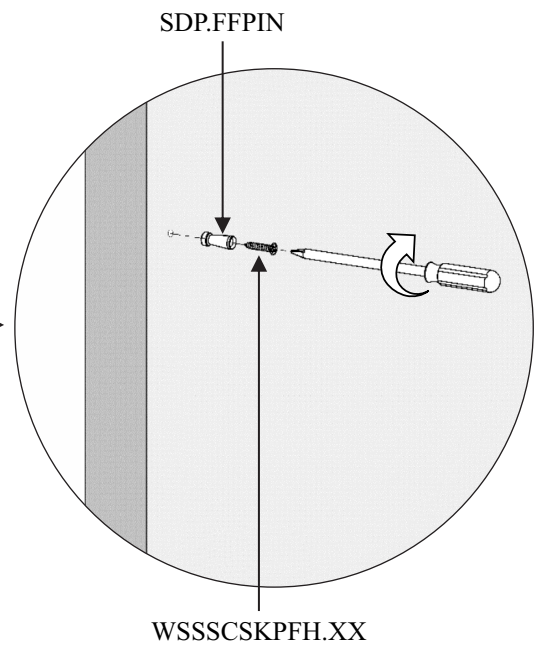
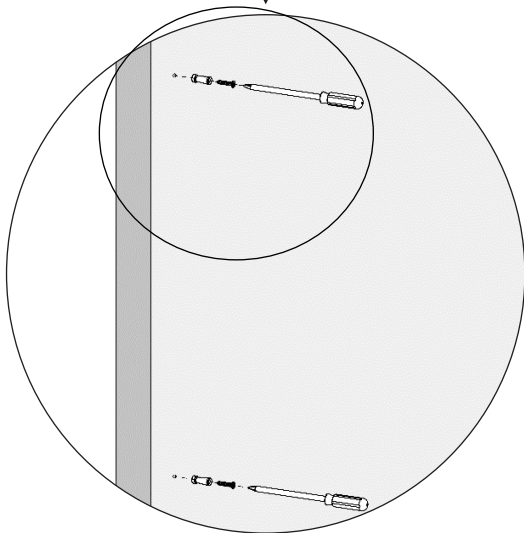
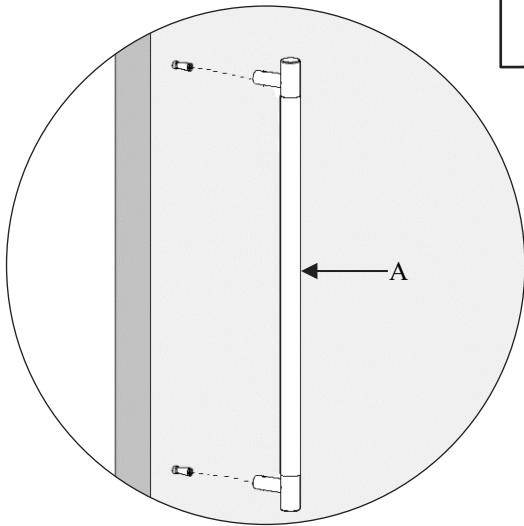
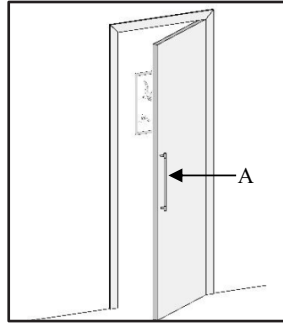
STEP-2



DRILL SIZE			
	Glass	Wood	Metal
SDP FF	N/A	1/10" (2.5mm)	N/A

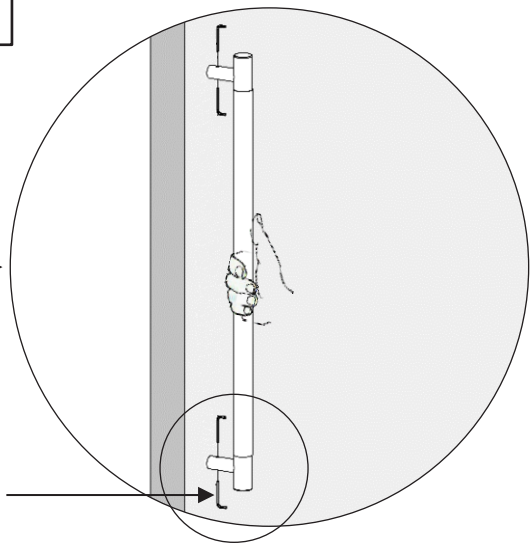
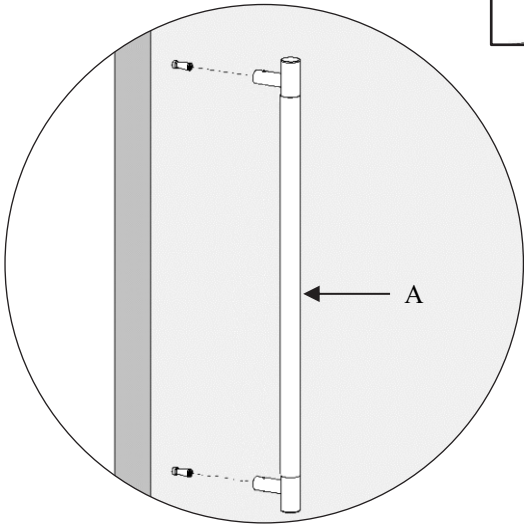
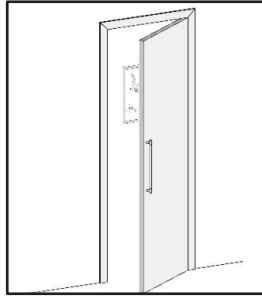
STEP-3

Step Wise Packing List			
S. No.	Part Number	Qty.	Steps
2	SDP.FFPIN	2x	3
3	WSSCSKPFH.XX	2x	3

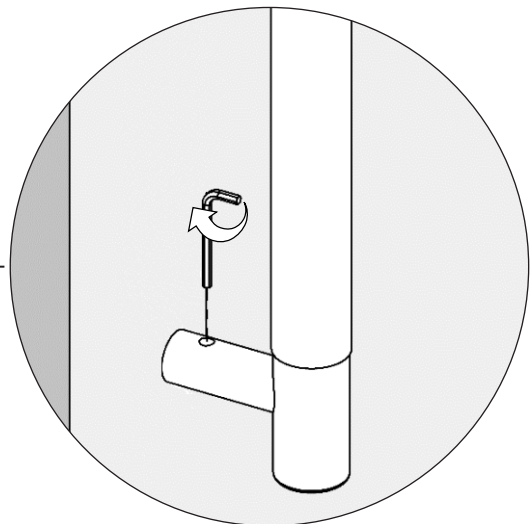
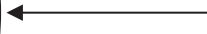
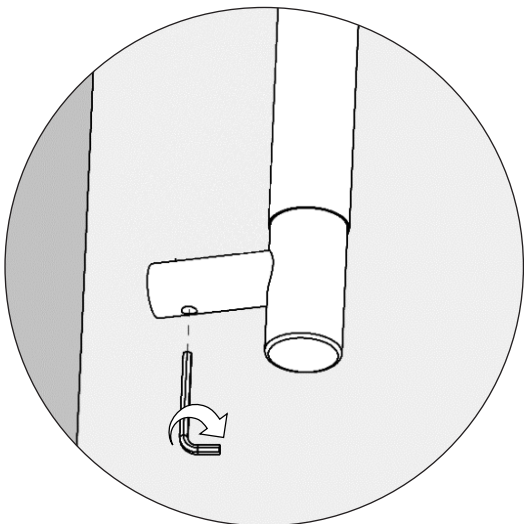


STEP-4

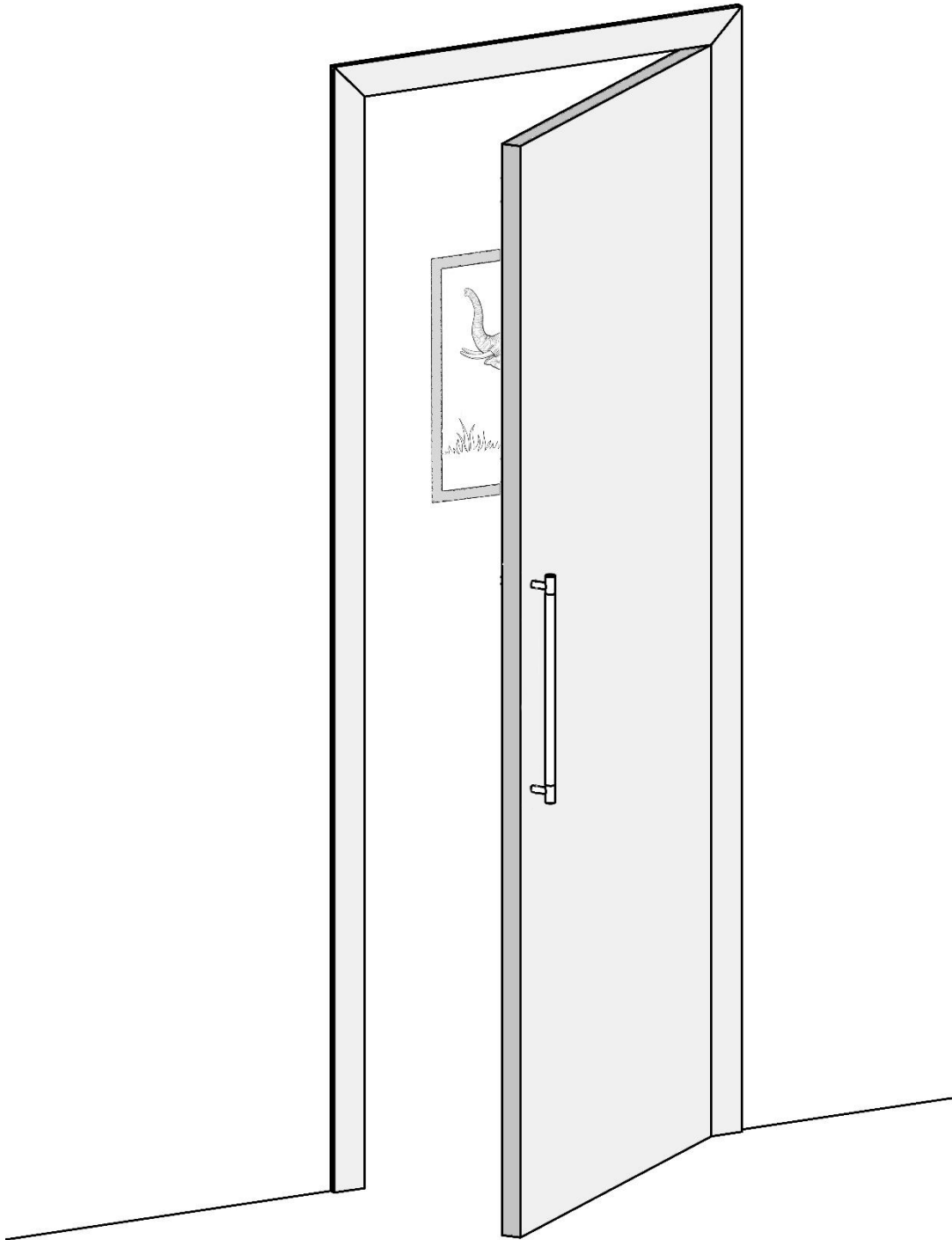
Step Wise Packing List			
S. No.	Part Number	Qty.	Steps
4	LNKY. 2.5	1x	4



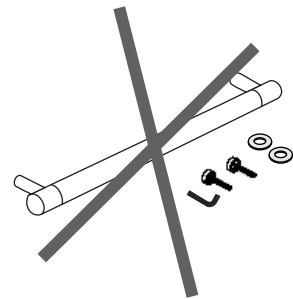
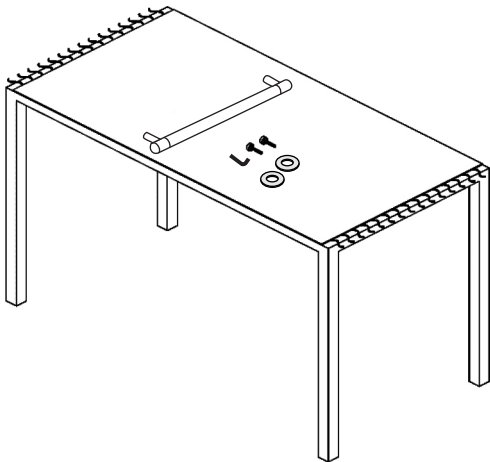
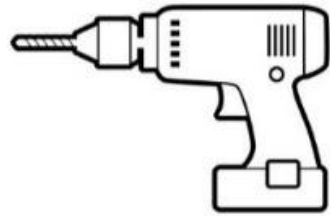
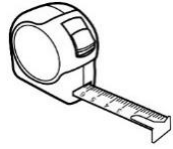
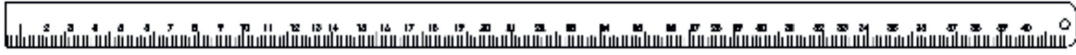
LNKY.2.5



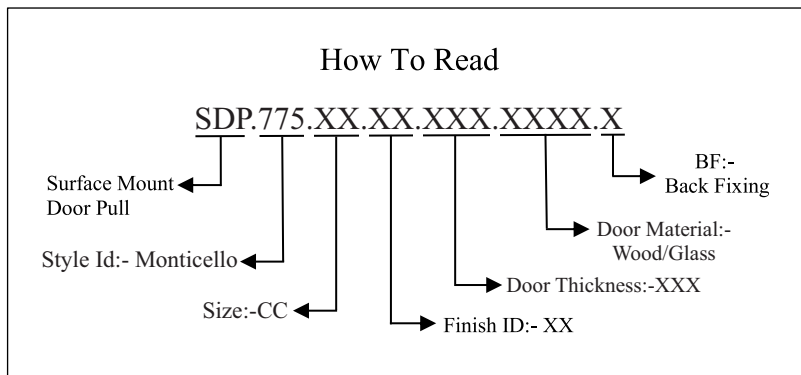
**SURFACE MOUNT BACK FIXING
HANDLE ILLUSTRATED**



Required Tools



Step Wise Packing List			
S. No.	Part Number	Qty.	Steps
1	SDP.775.XX.XX.XXX.XXXX.X	1x	1
2	SLEEVE	1x	3
3	MSCCSKPH.XX	2x	3
4	SDP.BUSH	2x	3
5	LNKY.4	1x	3
6	WASHER	2x	3
7	SDP.CAP	2x	4
8	Manual	1x	-



SDP.775.XX.XX.XXX.XXXX.X



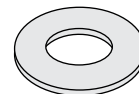
MSCCSKPH.XX



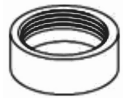
SDP.BUSH



LNKY.4



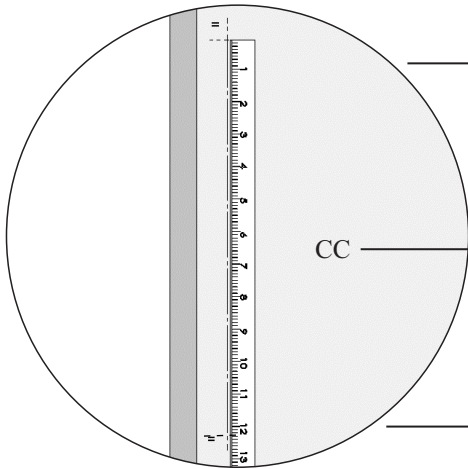
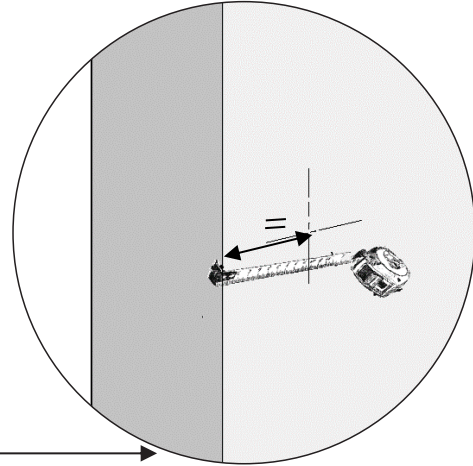
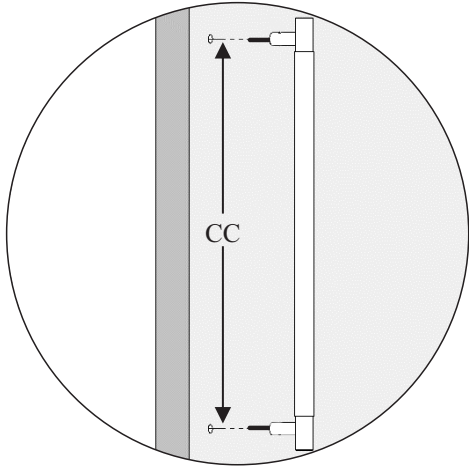
WASHER



SDP.CAP



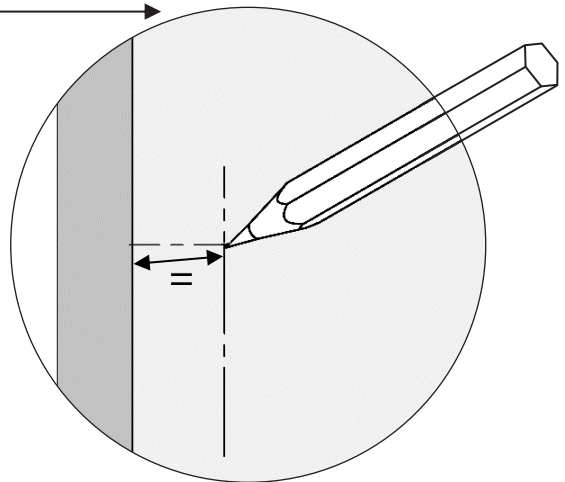
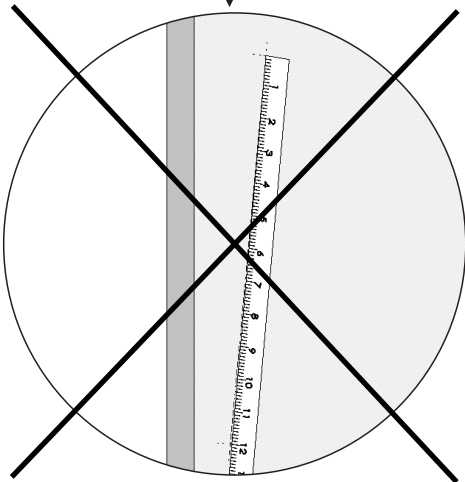
STEP-1



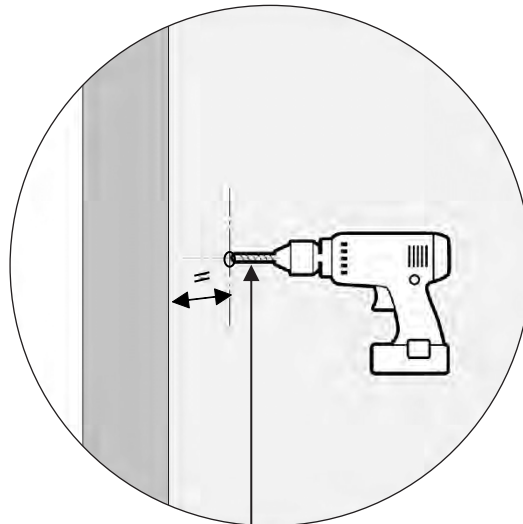
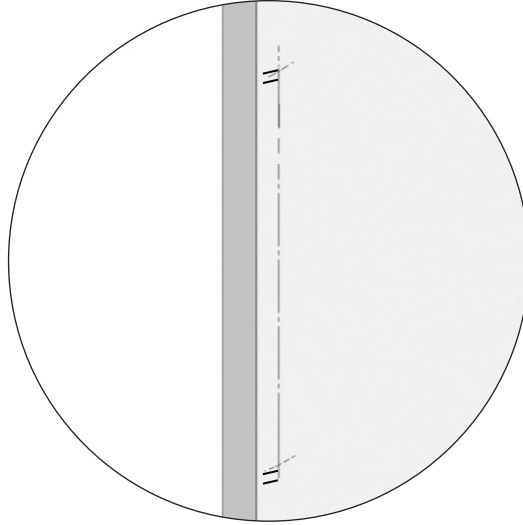
SDP.775.XX.XX.XXX.XXXX.X

Size:-CC

- 12"
- 18"
- 24"
- 36"



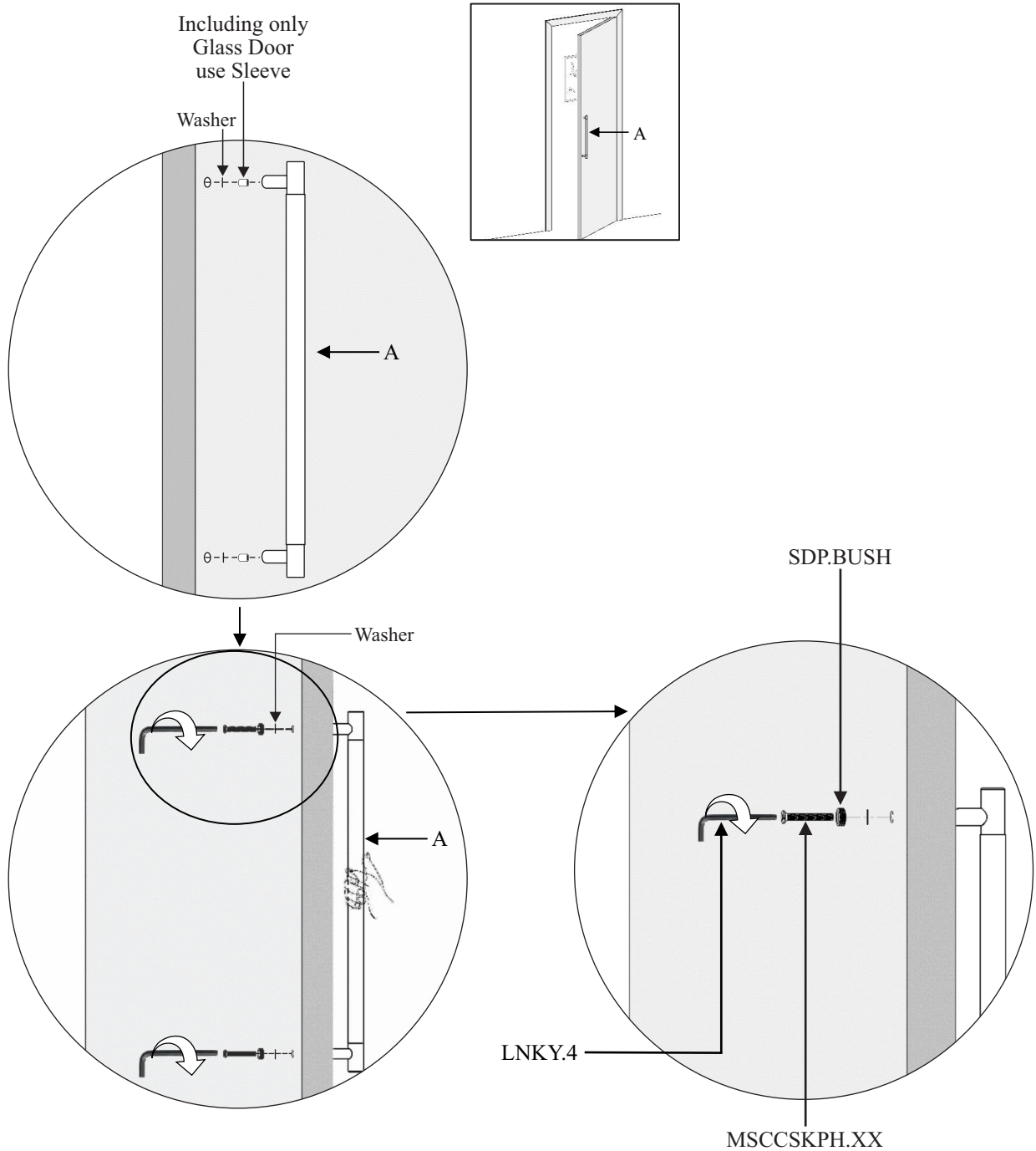
STEP-2



DRILL SIZE			
	Glass	Wood	Metal
SDP BF	3/8" (9.5mm)	1/4" (6.4mm)	1/4" (6.4mm)

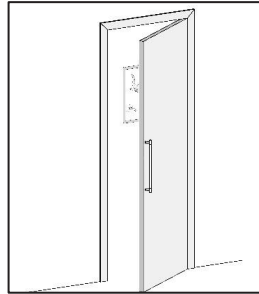
STEP-3

Step Wise Packing List			
S.No.	Part Number	Qty	Steps
2	SLEEVE	1x	3
3	MSCCSKPH.XX	2x	3
4	SDP.BUSH	2x	3
5	LNKY .4	1x	3
6	WASHER	2x	3



STEP-4

Step Wise Packing List			
S.No.	Part Number	Qty	Steps
7	SDP.CAP	2x	4



SDP.CAP

