



Polished Nickel (Finish ID:8)

BURBRIDGE SURFACE MOUNT DOOR PULL

Our Burbridge handle is an uplifting Art Deco design with beautifully crafted tapered facets that reflect the surroundings.

	Item Code	Size (mm & Inches)	Material	Size (Inches)				Fig.
				A	B	C	D	
1	SDP.652.12".XX.XXX.XXXX.X	304.8mm (12")	Brass	12.85	0.85	12	2.27	1
2	SDP.652.18".XX.XXX.XXXX.X	457.2mm (18")	Brass	18.85	0.85	18	2.27	1
3	SDP.652.12".XX.XXX.XXXX.X	304.8mm (12")	Bronze	12.85	0.85	12	2.27	1
4	SDP.652.18".XX.XXX.XXXX.X	457.2mm (18")	Bronze	18.85	0.85	18	2.27	1
5	SDP.652.12".XX.XXX.XXXX.X	304.8mm (12")	Cast Iron	12.85	0.85	12	2.27	1
6	SDP.652.18".XX.XXX.XXXX.X	457.2mm (18")	Cast Iron	18.85	0.85	18	2.27	1

"XX" in item code denotes Finish ID.

"XXX" in item code denotes Door Thickness.

"XXXX" in item code denotes Door Material.

"X" in item code denotes Front Fix or Back Fix.

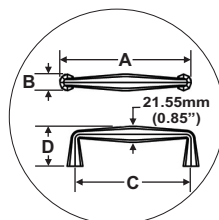
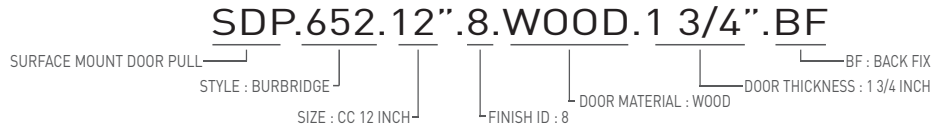


FIG. 1

This product is Supplied with Based on Front Fix or Back Fix Order.

How to Order



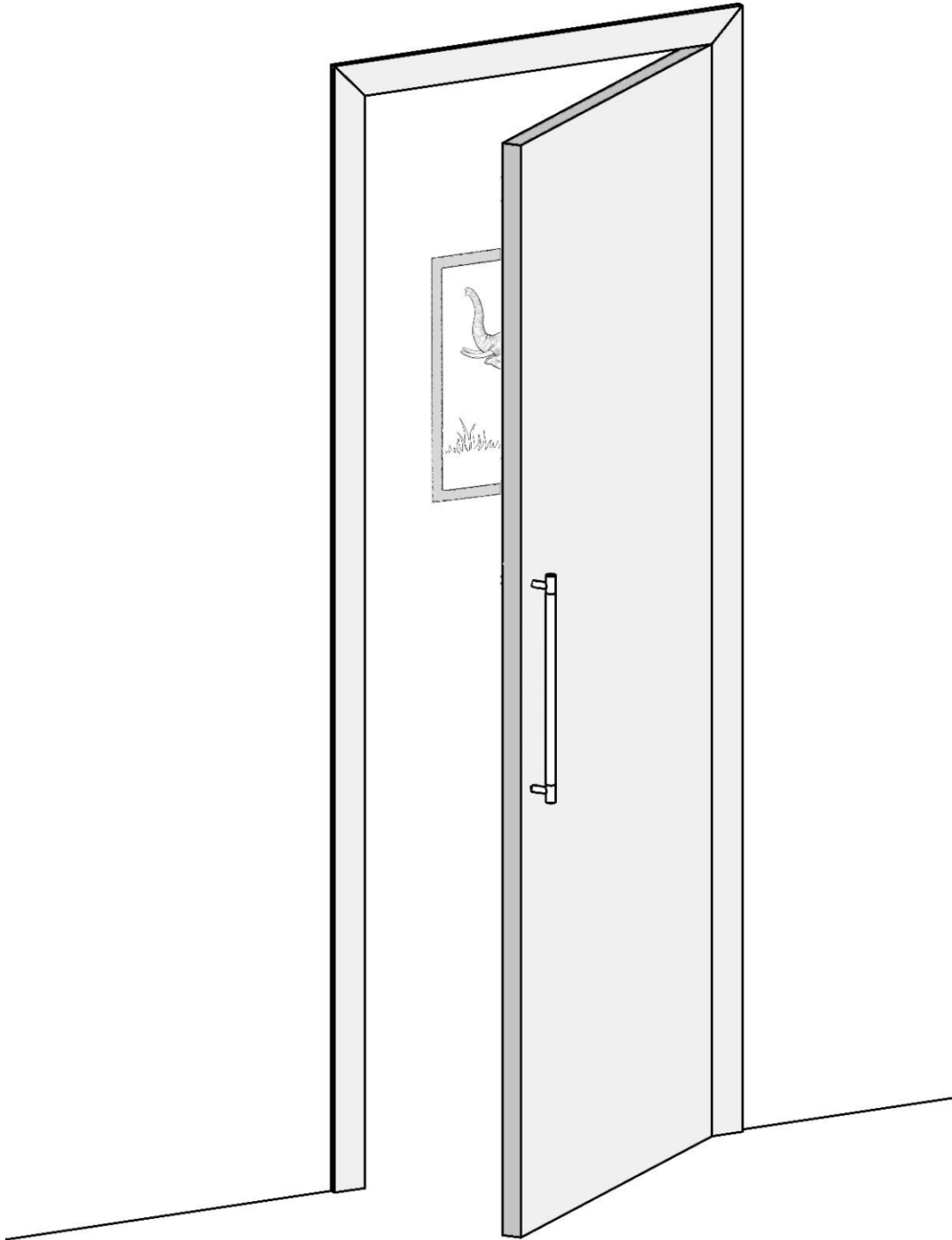
Burbridge Surface Mount Door Pull Finish Options

Base Material : Cast Iron	Custom Finishes (3-4 Weeks Delivery)*
 Pewter (Finish ID:1)	
Base Material : Brass	Standard Finishes (2-3 Weeks Delivery)
      Bright Chrome (Finish ID:2) Brush Nickel (Finish ID:3) Aged Brass (Finish ID:4) Unlacquered Polished Brass (Finish ID:7U) Polished Nickel (Finish ID:8) Satin Brass (Finish ID:13)	
Base Material : Brass	Custom Finishes (3-4 Weeks Delivery)*
    Lacquered Polished Brass (Finish ID:7L) Matte Black (Finish ID:19) Graphite (Finish ID:61) Brush Chrome (Finish ID:95)	
Base Material : Bronze	Custom Finishes (3-4 Weeks Delivery)*
   Silicon Bronze Light (Finish ID:53) Silicon Bronze Dark (Finish ID:53D) White Bronze (Finish ID:54)	

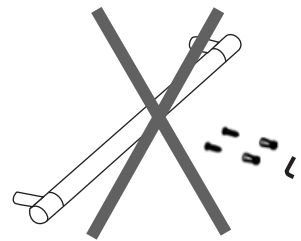
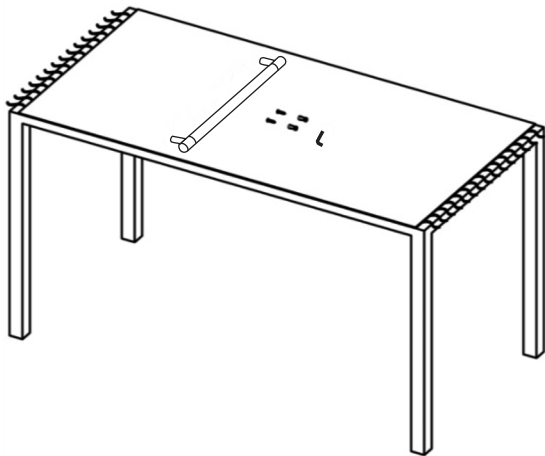
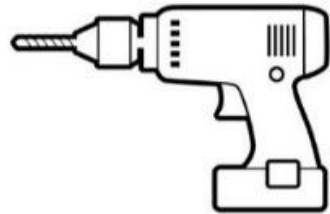
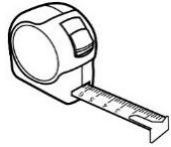
Front Fix (FF)	
Door Material	Door Thickness
1. Wood	1", 1 1/4", 1 1/2", 1 3/4", 2", 2 1/4", 2 1/2"
2. Metal	1", 1 1/4", 1 1/2", 1 3/4", 2", 2 1/4", 2 1/2"
Back Fix (BF)	
Door Material	Door Thickness
1. Wood	5/16", 3/8", 1/2", 3/4", 1", 1 1/4", 1 1/2", 1 3/4", 2", 2 1/4", 2 1/2"
2. Metal	5/16", 3/8", 1/2", 3/4", 1", 1 1/4", 1 1/2", 1 3/4", 2", 2 1/4", 2 1/2"
3. Glass	5/16", 3/8", 1/2", 3/4", 1"

- Custom finishes cannot be returned or refunded. We are unable to accept cancellations for custom finish order unless within 48 hours of the order being placed.
- We have uniform pricing for all non-hammered finishes listed above as long as base material and size is same.
- Contact us for customized finishes, refer pages F1, F2, F3 & F4 for finish glossary.

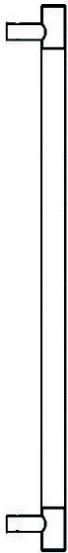
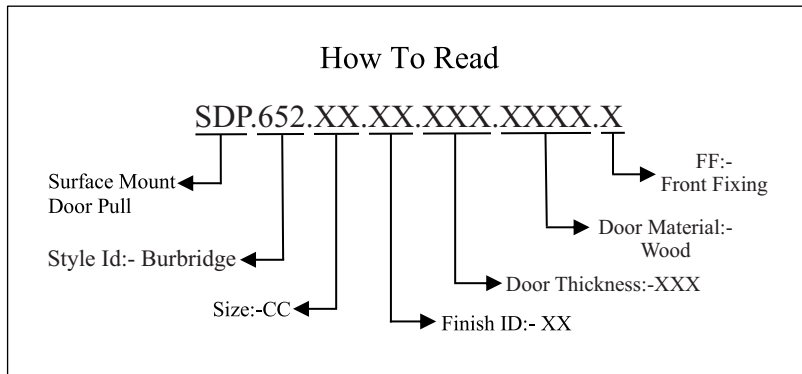
**SURFACE MOUNT FRONT FIXING
HANDLE ILLUSTRATED**



Required Tools



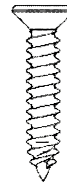
Step Wise Packing List			
S. No.	Part Number	Qty.	Steps
1	SDP.652.XX.XX.XXX.XXXX.X	1x	1
2	SDP.FFPIN	2x	3
3	WSSCSKPFH.XX	2x	3
4	LNKY. 2.5	1x	4
5	Manual	1x	-



SDP.652.XX.XX.XXX.XXXX.X



SDP.FFPIN

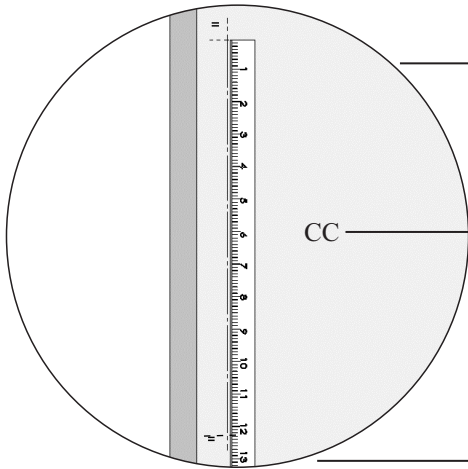
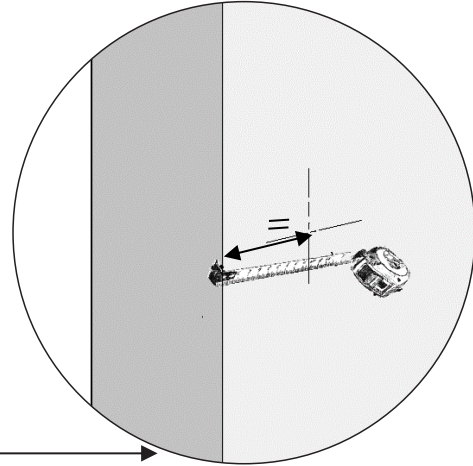
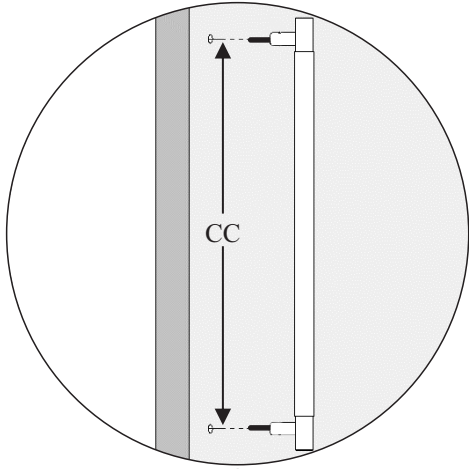


WSSCSKPFH.XX



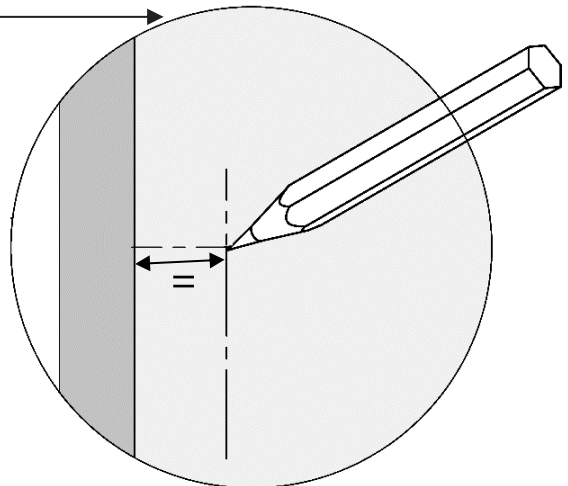
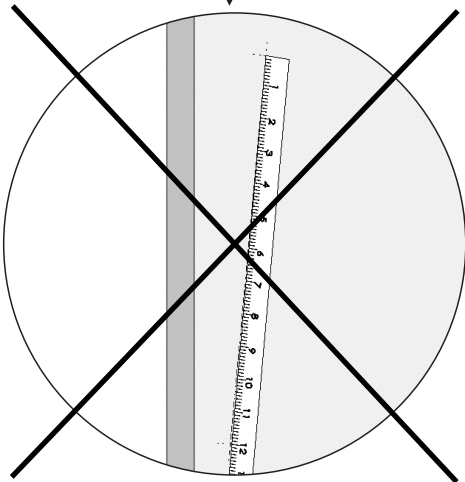
LNKY. 2.5

STEP-1

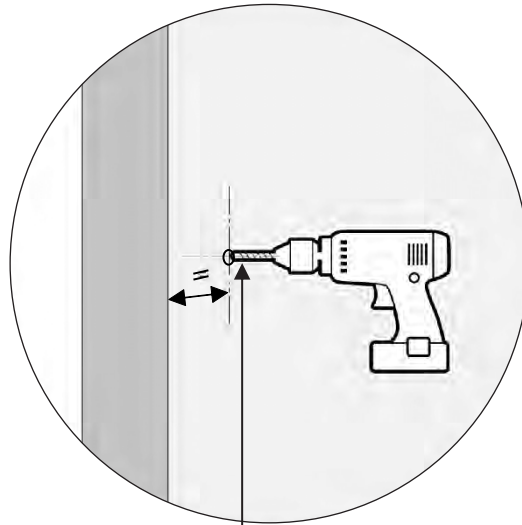
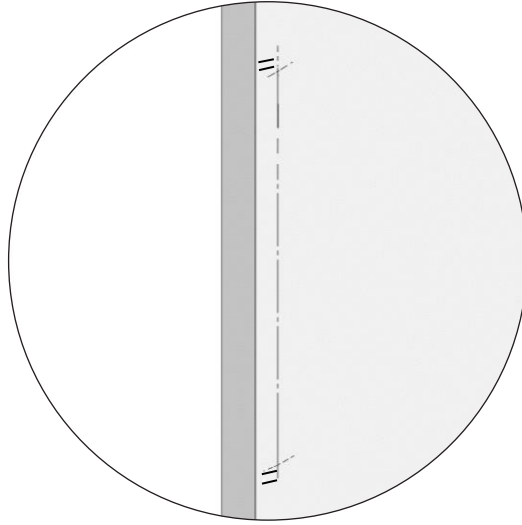


SDP.652.XX.XX.XXX.XXXX.X

Size:-CC
↓
12"
18"



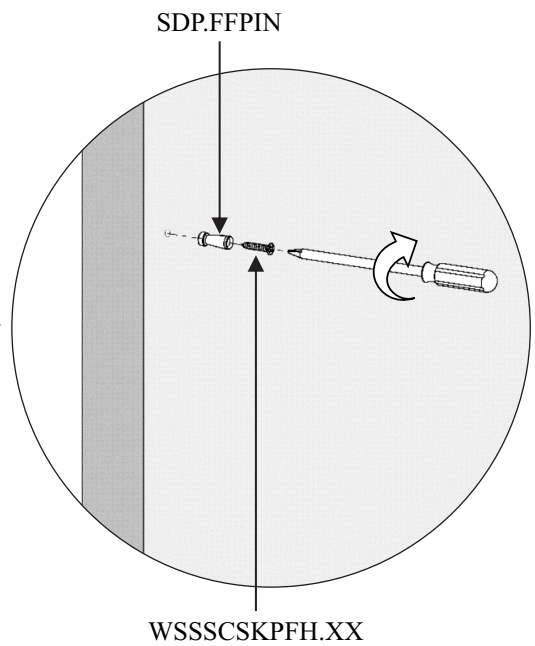
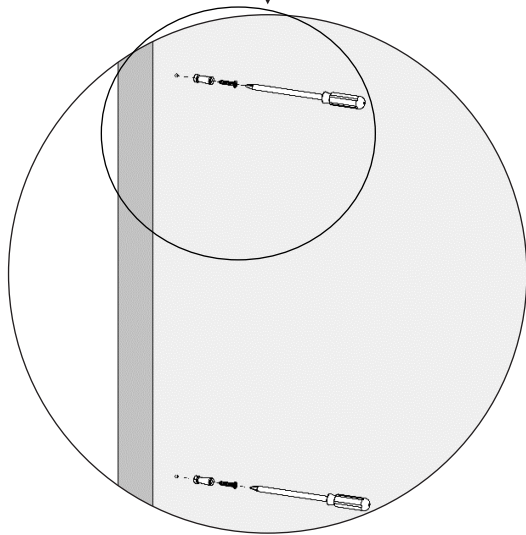
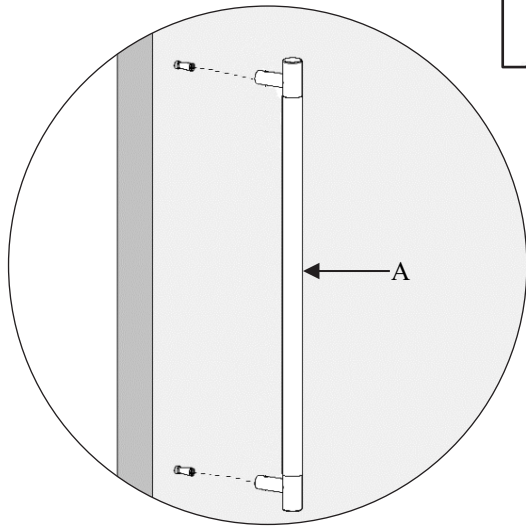
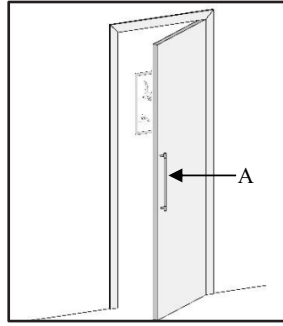
STEP-2



DRILL SIZE			
	Glass	Wood	Metal
SDP FF	N/A	1/10" (2.5mm)	N/A

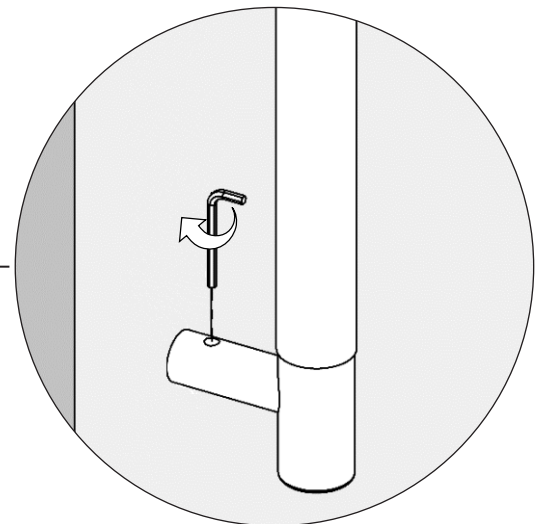
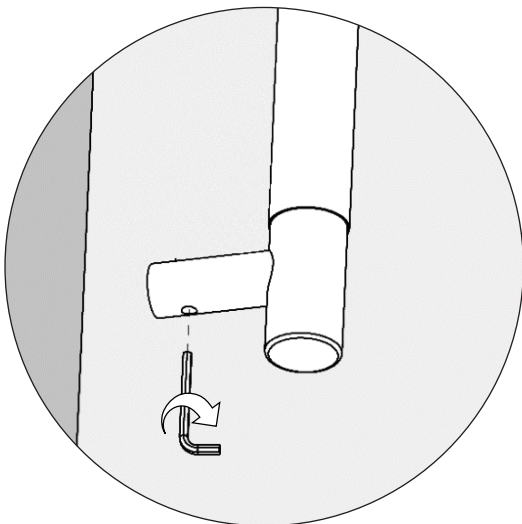
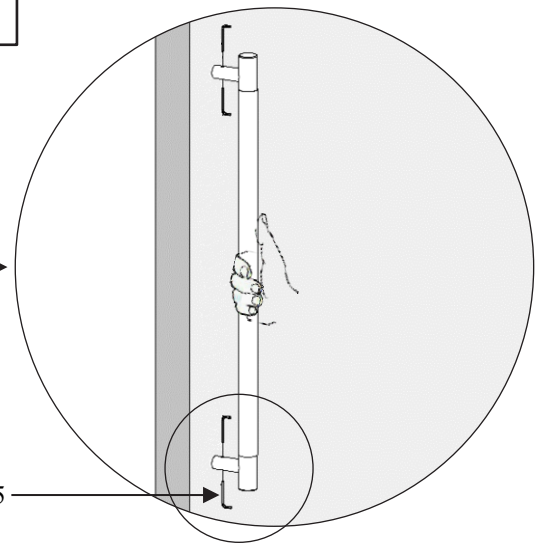
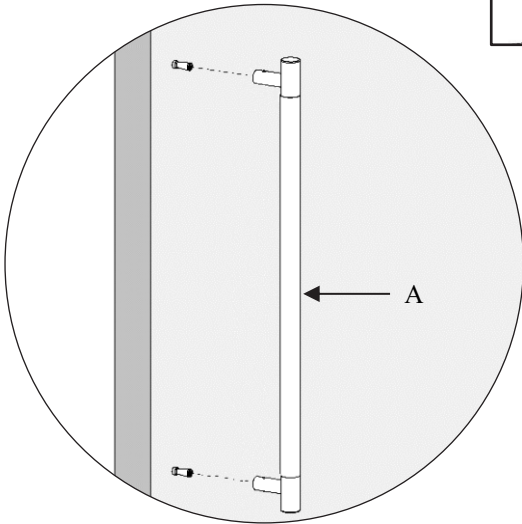
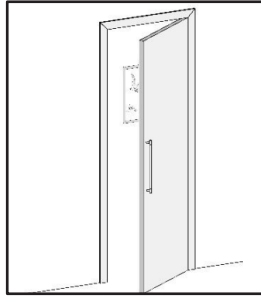
STEP-3

Step Wise Packing List			
S. No.	Part Number	Qty.	Steps
2	SDP.FFPIN	2x	3
3	WSSCSKPFH.XX	2x	3

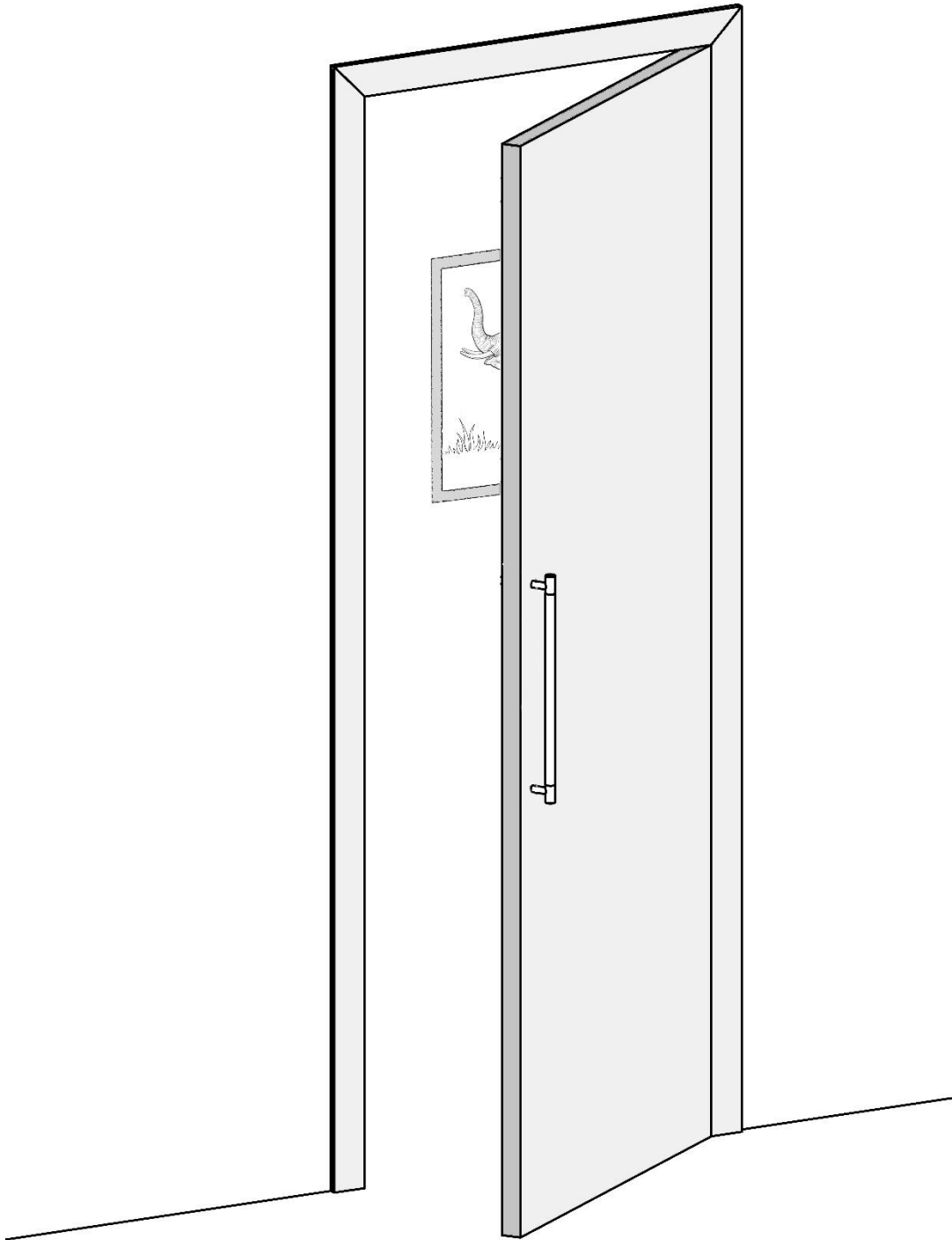


STEP-4

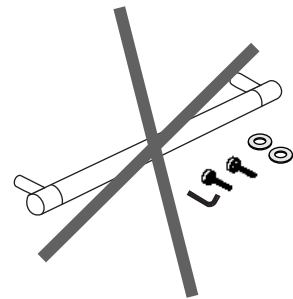
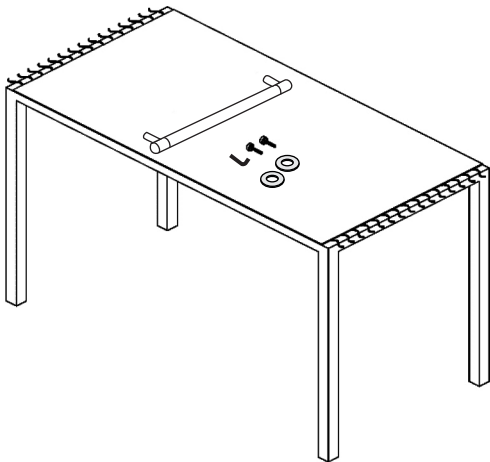
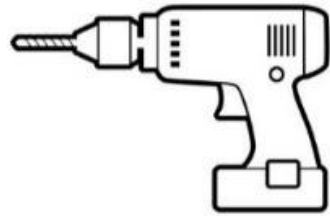
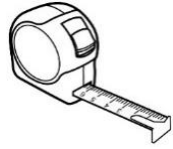
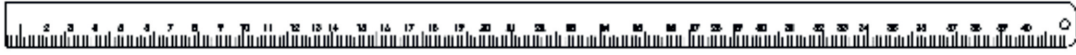
Step Wise Packing List			
S. No.	Part Number	Qty.	Steps
4	LNKY. 2.5	1x	4



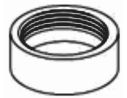
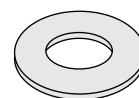
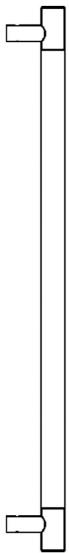
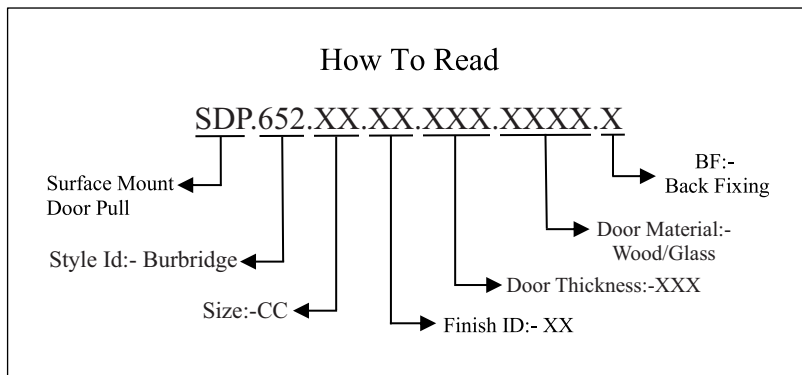
**SURFACE MOUNT BACK FIXING
HANDLE ILLUSTRATED**



Required Tools



Step Wise Packing List			
S. No.	Part Number	Qty.	Steps
1	SDP.652.XX.XX.XXX.XXXX.X	1x	1
2	SLEEVE	1x	3
3	MSCCSKPH.XX	2x	3
4	SDP.BUSH	2x	3
5	LNKY.4	1x	3
6	WASHER	2x	3
7	SDP.CAP	2x	4
8	Manual	1x	-



SDP.652.XX.XX.XXX.XXXX.X

MSCCSKPH.XX

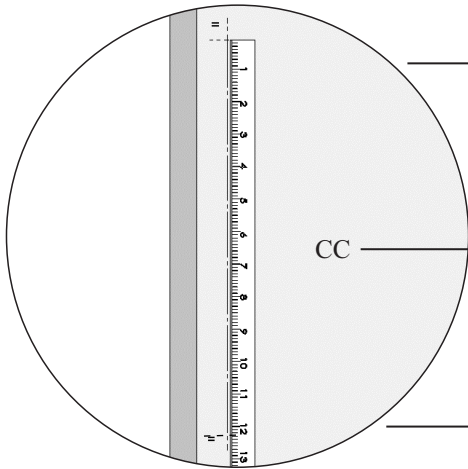
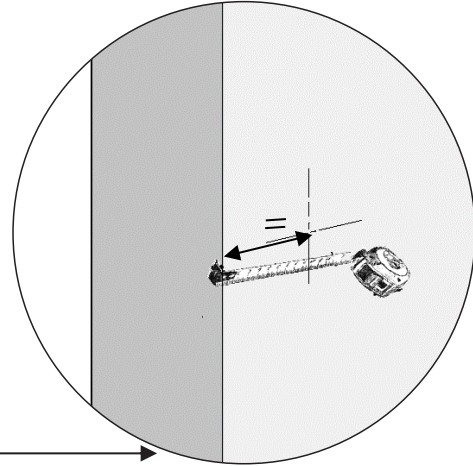
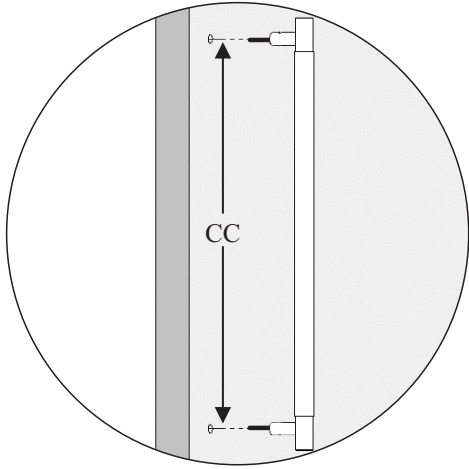
SDP.BUSH

LNKY 4

WASHER

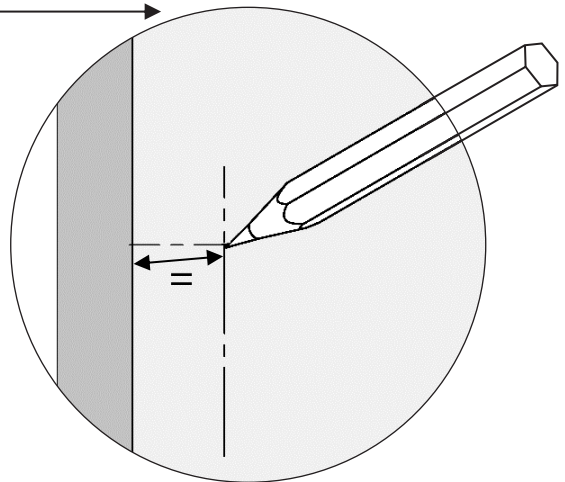
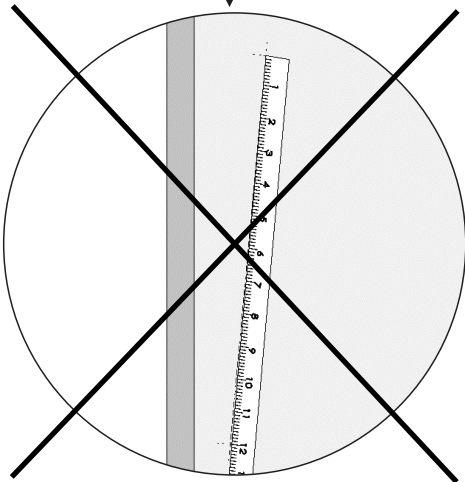
SDP.CAP

STEP-1

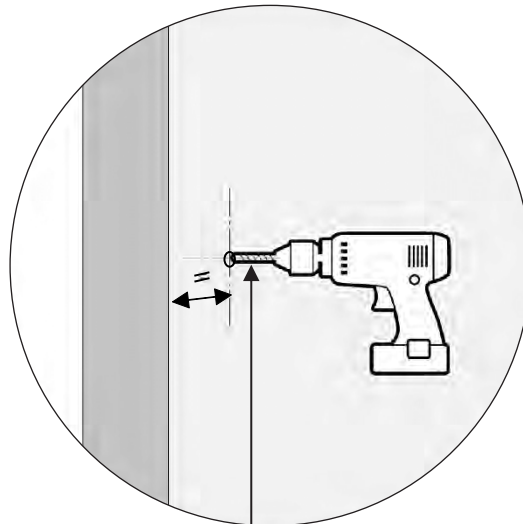
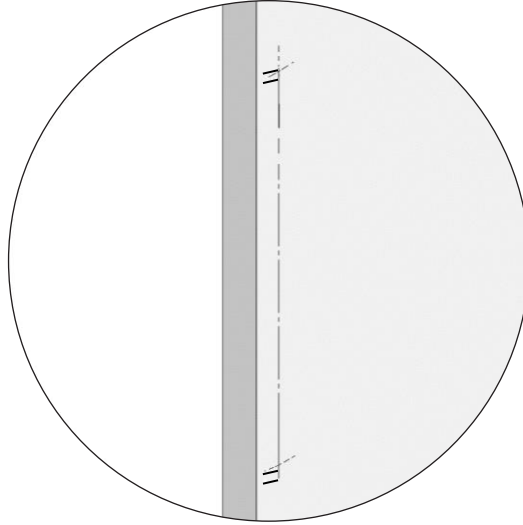


SDP.652.XX.XX.XXX.XXXX.X

Size:-CC
↓
12"
18"



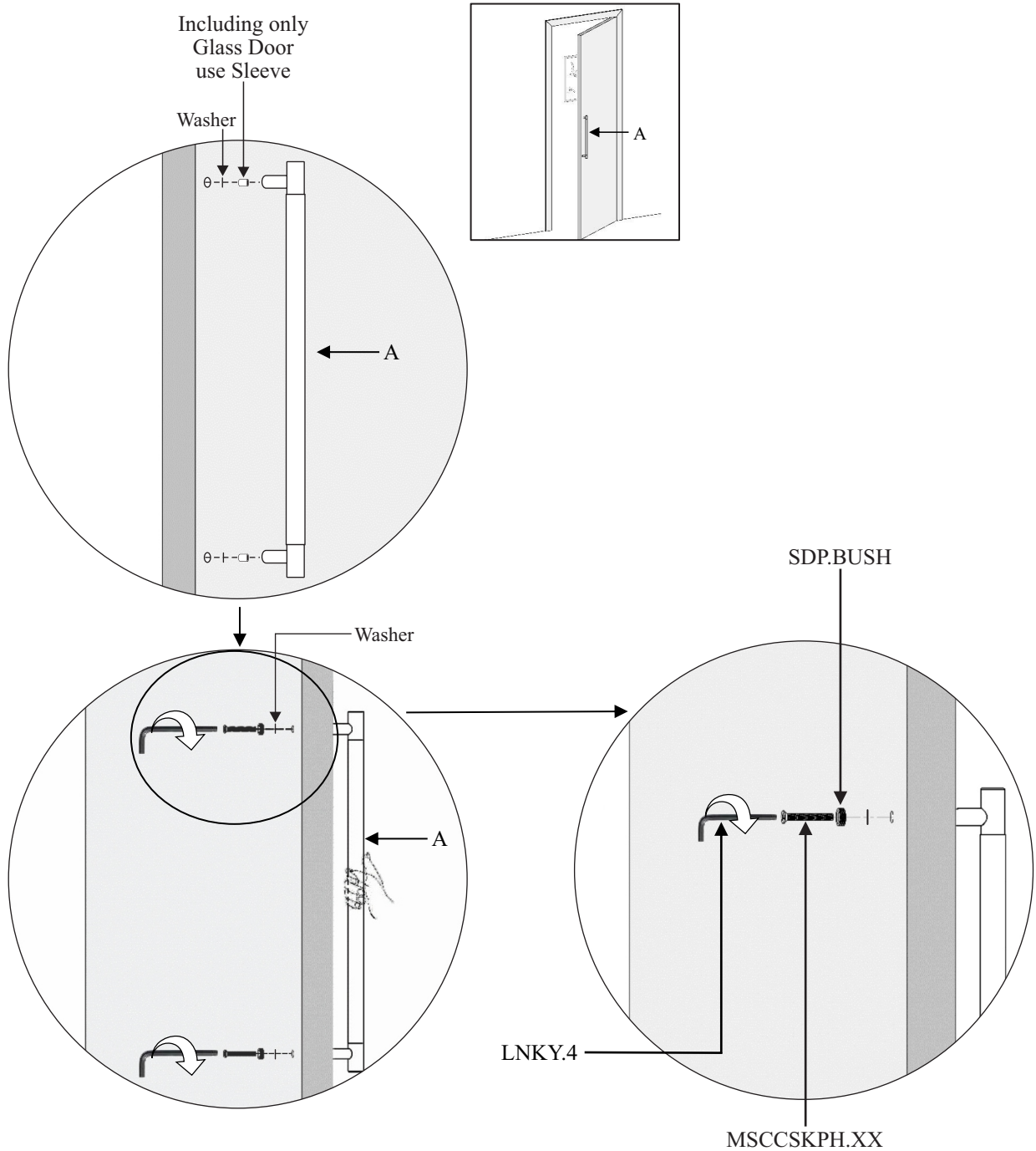
STEP-2



DRILL SIZE			
	Glass	Wood	Metal
SDP BF	3/8" (9.5mm)	1/4" (6.4mm)	1/4" (6.4mm)

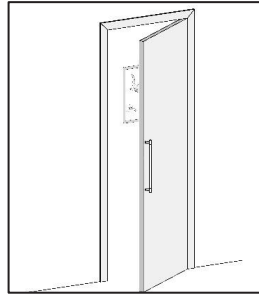
STEP-3

Step Wise Packing List			
S.No.	Part Number	Qty	Steps
2	SLEEVE	1x	3
3	MSCCSKPH.XX	2x	3
4	SDP.BUSH	2x	3
5	LNKY .4	1x	3
6	WASHER	2x	3



STEP-4

Step Wise Packing List			
S.No.	Part Number	Qty	Steps
7	SDP.CAP	2x	4



SDP.CAP

