



Matte Black (Finish ID:19)

HEXAD SURFACE MOUNT DOOR PULL

“Hexad again seeks inspiration from nature, bees form the bedrock of all civilization. They choose the six sided hexagon as the most effective shape to store honey in their hives as they fit together perfectly”.

	Item Code	Size (mm & Inches)	Material	Size (Inches)				Fig.
				A	B	C	D	
1	SDP.643.12".XX.XXX.XXXX.X	304.8mm (12")	Brass	15	0.87	12	2.4	1
2	SDP.643.18".XX.XXX.XXXX.X	457.2mm (18")	Brass	21	0.87	18	2.4	1
3	SDP.643.24".XX.XXX.XXXX.X	609.6mm (24")	Brass	27	0.87	24	2.4	1
4	SDP.643.36".XX.XXX.XXXX.X	914.4mm (36")	Brass	39	0.87	36	2.4	1
5	SDP.643.12".XX.XXX.XXXX.X	304.8mm (12")	Bronze	15	0.87	12	2.4	1
6	SDP.643.18".XX.XXX.XXXX.X	457.2mm (18")	Bronze	21	0.87	18	2.4	1
7	SDP.643.24".XX.XXX.XXXX.X	609.6mm (24")	Bronze	27	0.87	24	2.4	1
8	SDP.643.36".XX.XXX.XXXX.X	914.4mm (36")	Bronze	39	0.87	36	2.4	1

"XX" in item code denotes Finish ID.
 "XXX" in item code denotes Door Thickness.
 "XXXX" in item code denotes Door Material.
 "X" in item code denotes Front Fix or Back Fix.

This product is Supplied with Based on Front Fix or Back Fix Order.

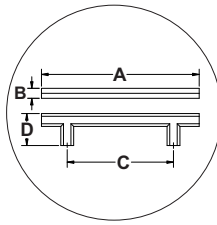


FIG. 1

How to Order

SDP.643.12".19.WOOD.1 3/4".BF

SURFACE MOUNT DOOR PULL ——— STYLE : HEXAD ——— SIZE : CC 12 INCH ——— FINISH ID : 19 ——— DOOR MATERIAL : WOOD ——— DOOR THICKNESS : 1 3/4 INCH ——— BF : BACK FIX

Hexad Surface Mount Door Pull Finish Options

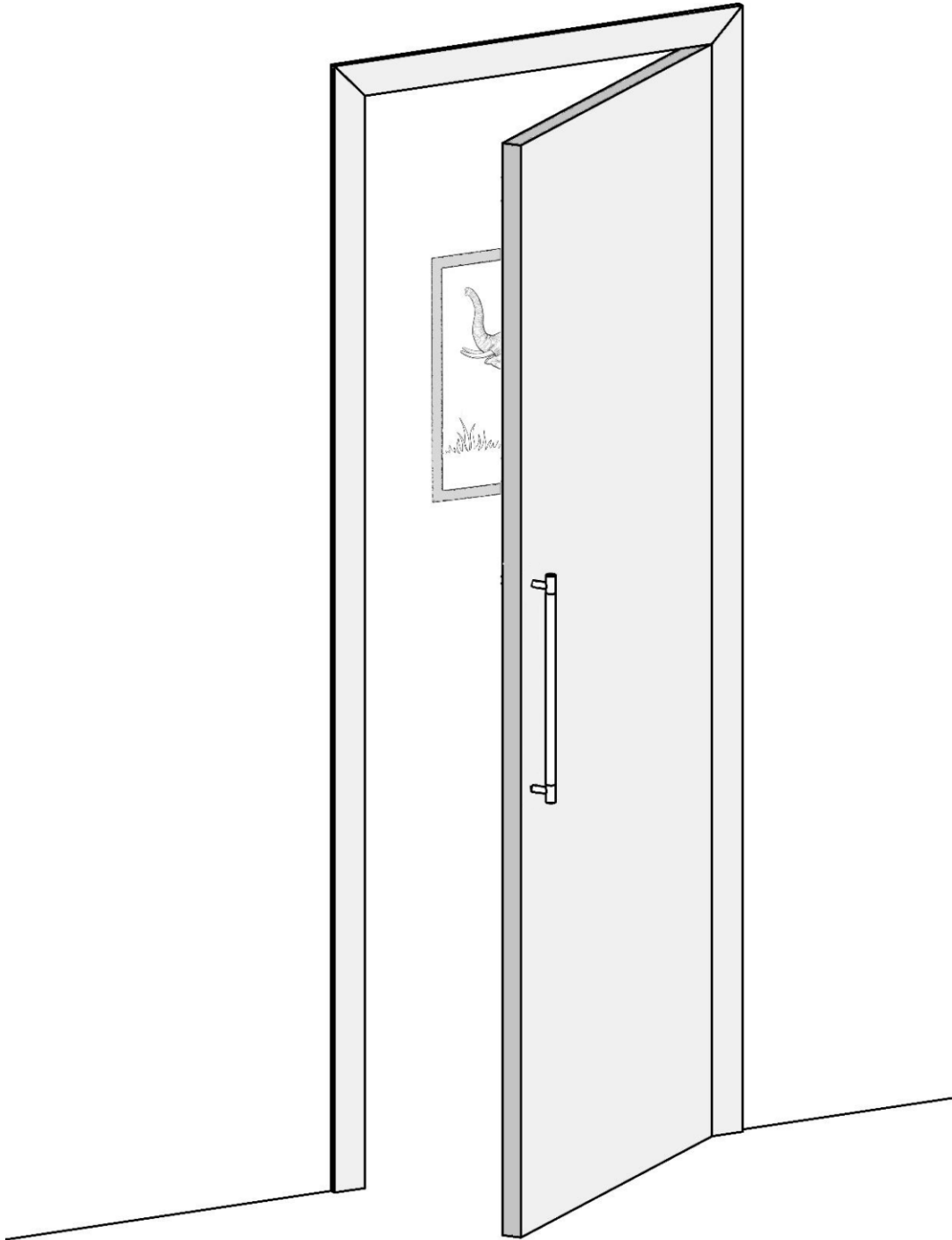
Base Material : Brass	Standard Finishes (2-3 Weeks Delivery)
	<p><small>Bright Chrome (Finish ID:2) Brush Nickel (Finish ID:3) Aged Brass (Finish ID:4) Unlacquered Polished Brass (Finish ID:7U) Polished Nickel (Finish ID:8) Satin Brass (Finish ID:13)</small></p>
Base Material : Brass	Custom Finishes (3-4 Weeks Delivery)*
	<p><small>Lacquered Polished Brass (Finish ID:7L) Matte Black (Finish ID:19) Satin Chrome (Finish ID:24) Graphite (Finish ID:61) Titanium (Finish ID:79) Ombre (Finish ID:92) Brush Chrome (Finish ID:95)</small></p>
Base Material : Bronze	Custom Finishes (3-4 Weeks Delivery)*
	<p><small>Silicon Bronze Light (Finish ID:53) Silicon Bronze Dark (Finish ID:53D) White Bronze (Finish ID:54)</small></p>

- Custom finishes cannot be returned or refunded. We are unable to accept cancellations for custom finish order unless within 48 hours of the order being placed.
- We have uniform pricing for all non-hammered finishes listed above as long as base material and size is same.
- Contact us for customized finishes, refer pages F1, F2, F3 & F4 for finish glossary.

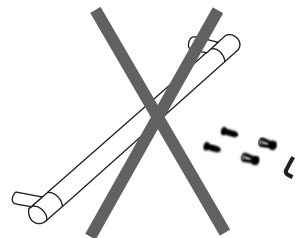
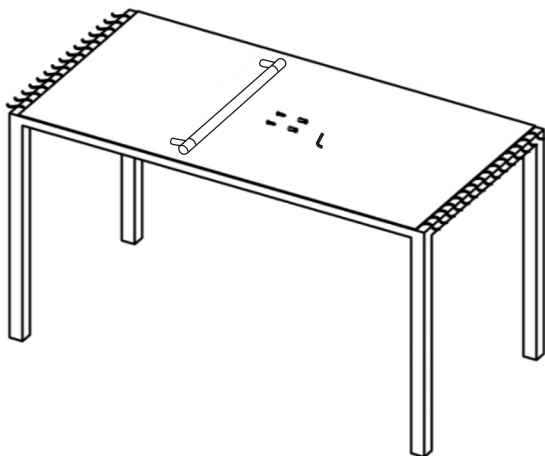
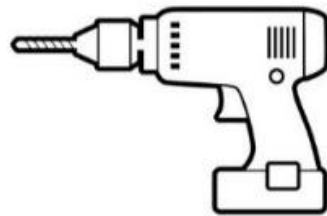
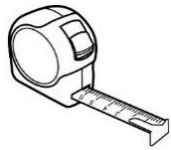
Front Fix (FF)	
Door Material	Door Thickness
1. Wood	1", 1 1/4", 1 1/2", 1 3/4", 2", 2 1/4", 2 1/2"
2. Metal	1", 1 1/4", 1 1/2", 1 3/4", 2", 2 1/4", 2 1/2"
Back Fix (BF)	
Door Material	Door Thickness
1. Wood	5/16", 3/8", 1/2", 3/4", 1", 1 1/4", 1 1/2", 1 3/4", 2", 2 1/4", 2 1/2"
2. Metal	5/16", 3/8", 1/2", 3/4", 1", 1 1/4", 1 1/2", 1 3/4", 2", 2 1/4", 2 1/2"
3. Glass	5/16", 3/8", 1/2", 3/4", 1"

- Custom finishes cannot be returned or refunded. We are unable to accept cancellations for custom finish order unless within 48 hours of the order being placed.
- We have uniform pricing for all non-hammered finishes listed above as long as base material and size is same.
- Contact us for customized finishes, refer pages F1, F2, F3 & F4 for finish glossary.

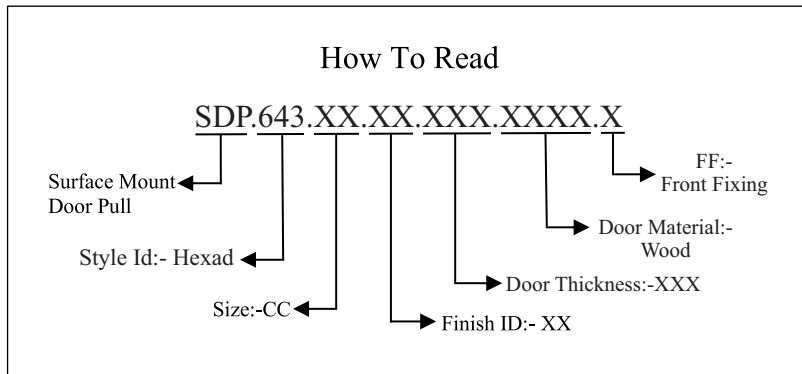
**SURFACE MOUNT FRONT FIXING
HANDLE ILLUSTRATED**



Required Tools



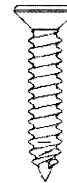
Step Wise Packing List			
S. No.	Part Number	Qty.	Steps
1	SDP.643.XX.XX.XXX.XXXX.X	1x	1
2	SDP.FFPIN	2x	3
3	WSSSCSKPFH.XX	2x	3
4	LNKY. 2.5	1x	4
5	Manual	1x	-



SDP.643.XX.XX.XXX.XXXX.X



SDP.FFPIN

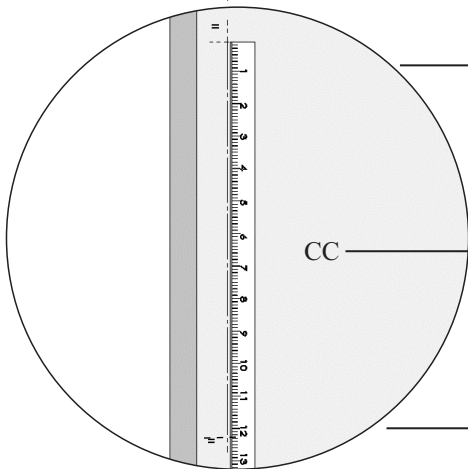
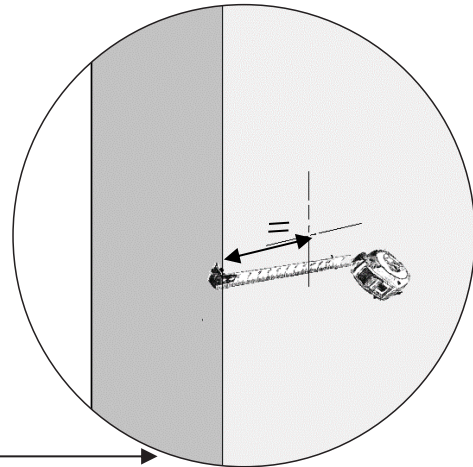
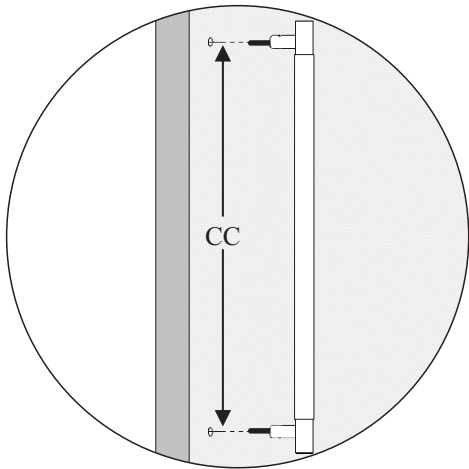


WSSSCSKPFH.XX



LNKY. 2.5

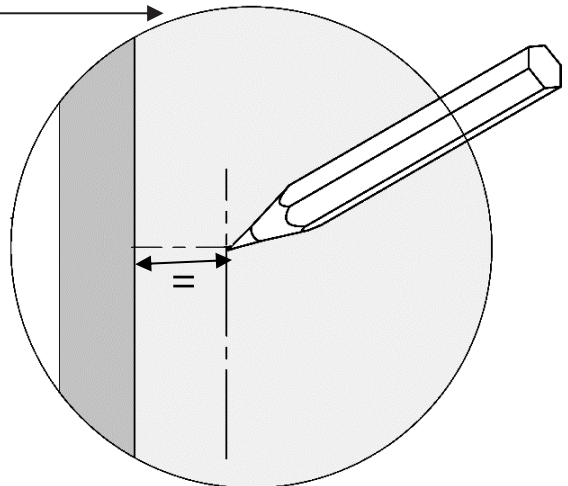
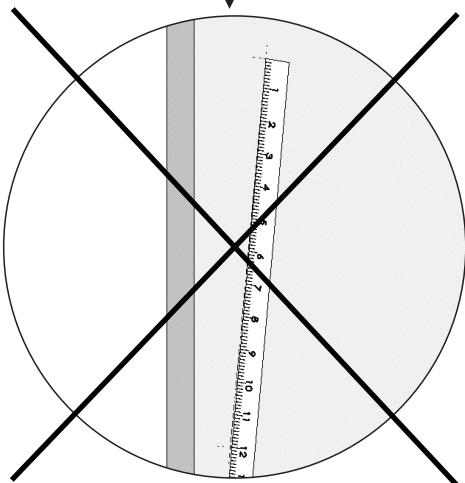
STEP-1



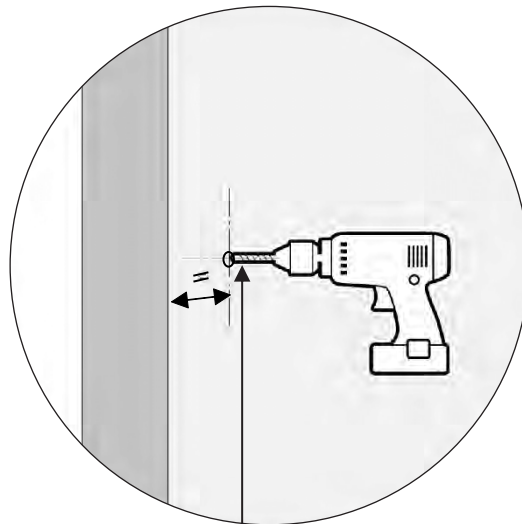
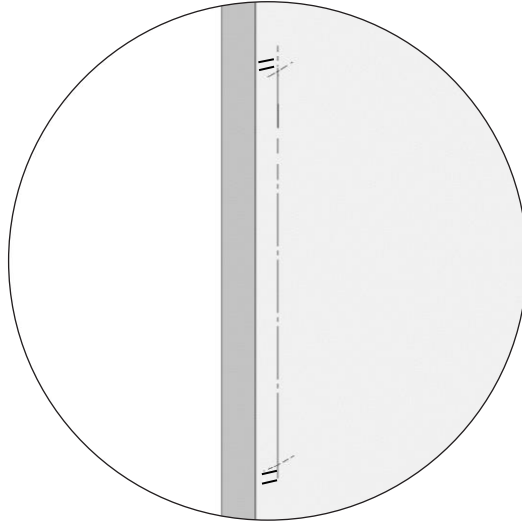
SDP.643.XX.XX.XXX.XXXX.X

Size:-CC

- 12"
- 18"
- 24"
- 36"



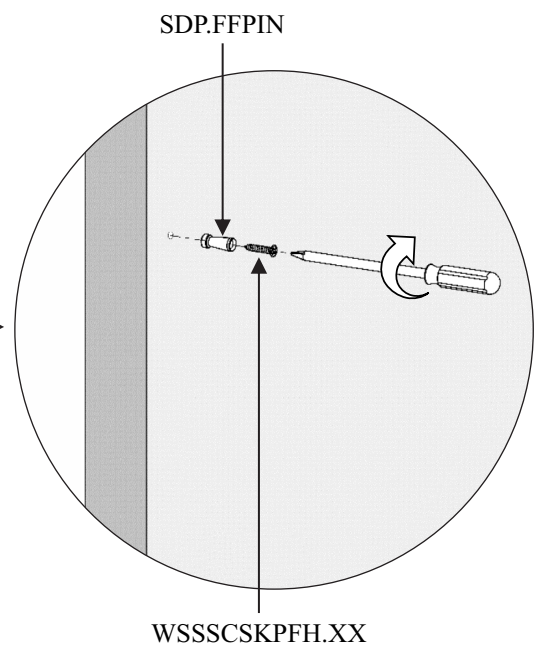
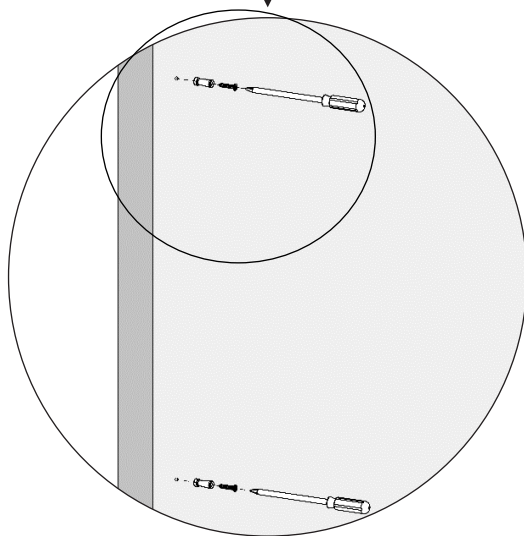
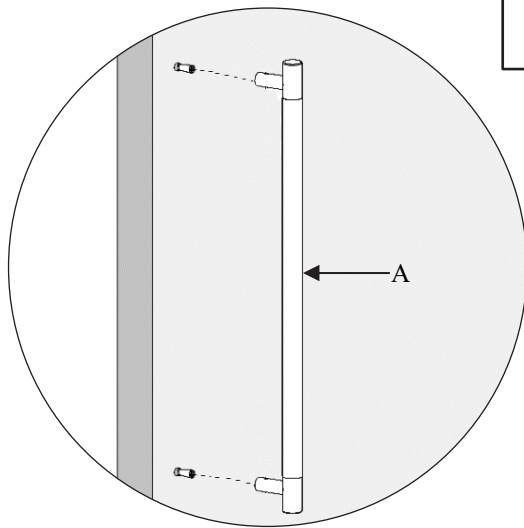
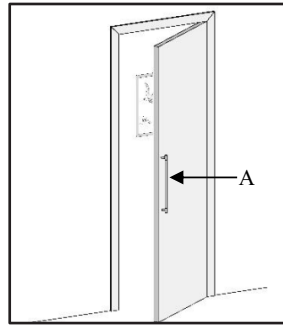
STEP-2



DRILL SIZE			
	Glass	Wood	Metal
SDP FF	N/A	1/10" (2.5mm)	N/A

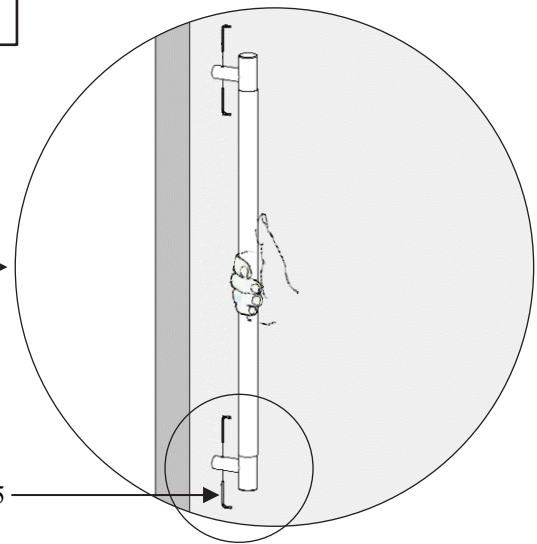
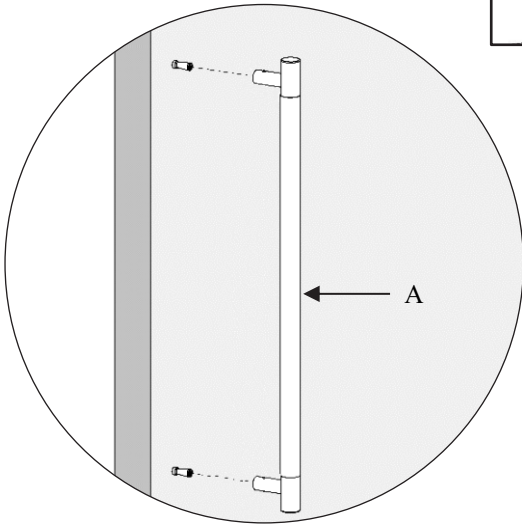
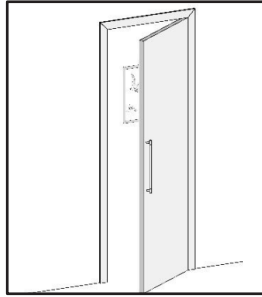
STEP-3

Step Wise Packing List			
S. No.	Part Number	Qty.	Steps
2	SDP.FFPIN	2x	3
3	WSSCSKPFH.XX	2x	3

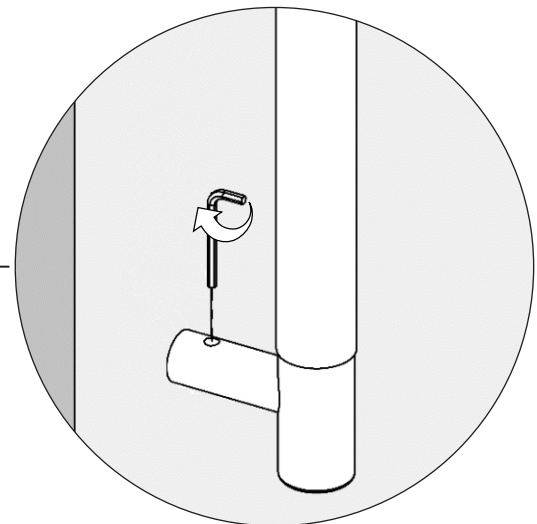
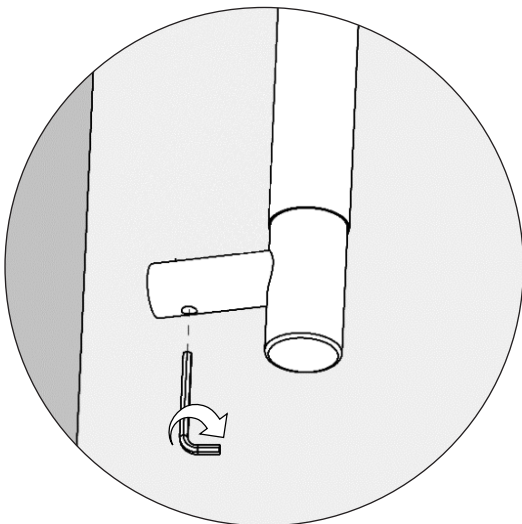


STEP-4

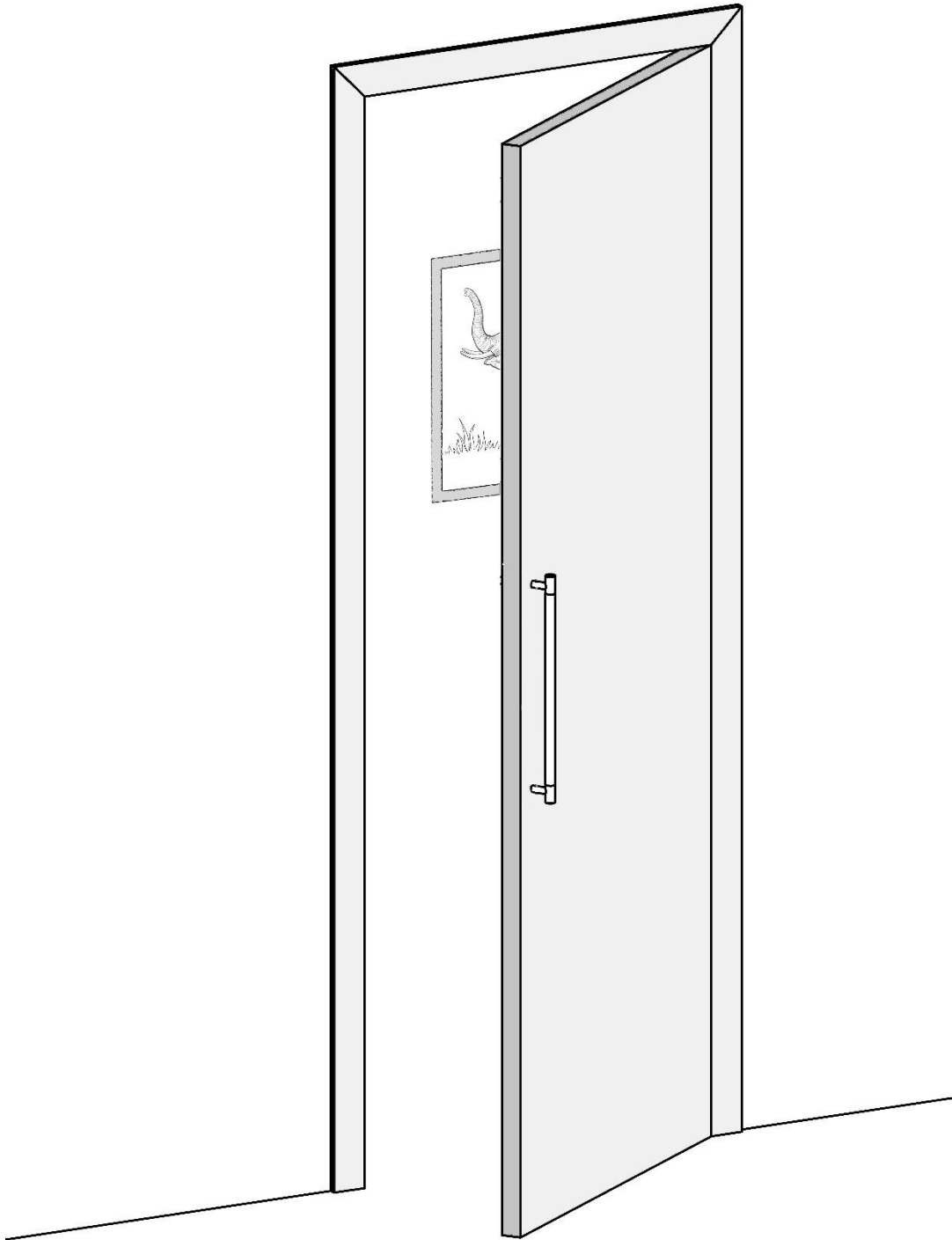
Step Wise Packing List			
S. No.	Part Number	Qty.	Steps
4	LNKY. 2.5	1x	4



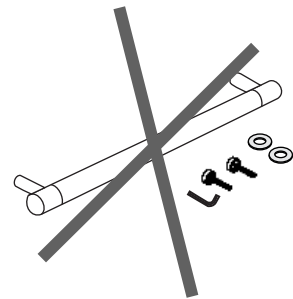
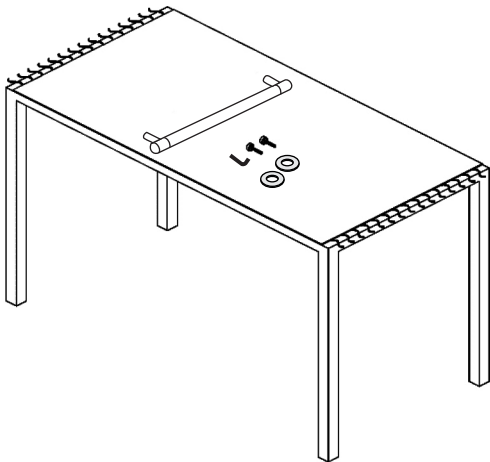
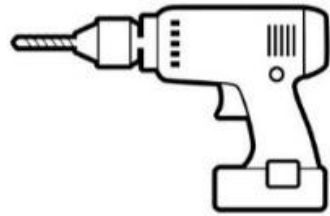
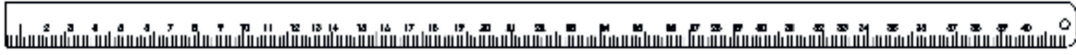
LNKY.2.5



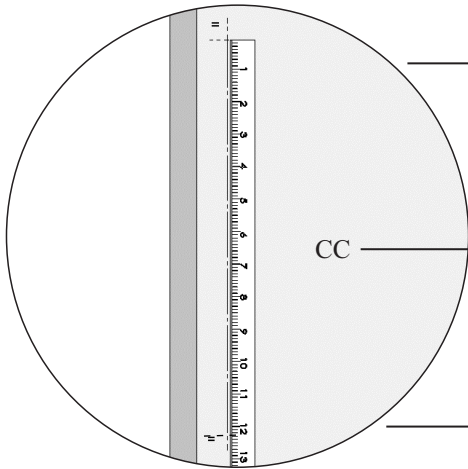
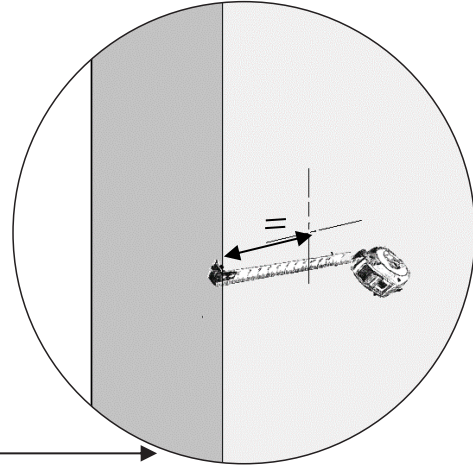
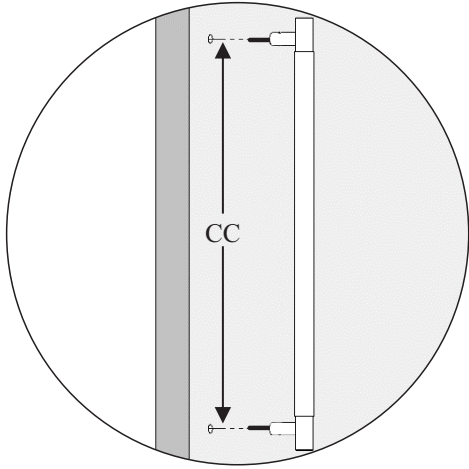
**SURFACE MOUNT BACK FIXING
HANDLE ILLUSTRATED**



Required Tools



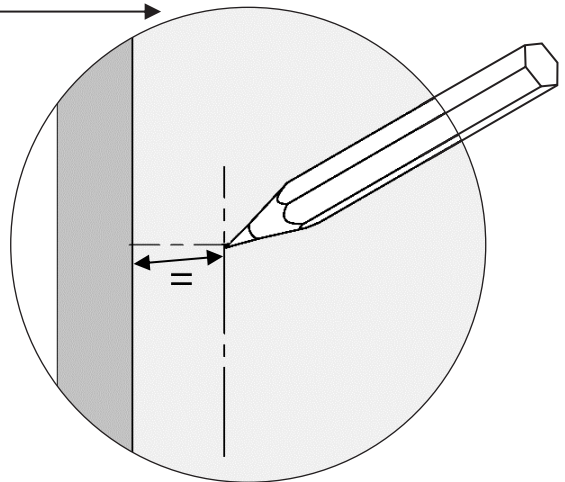
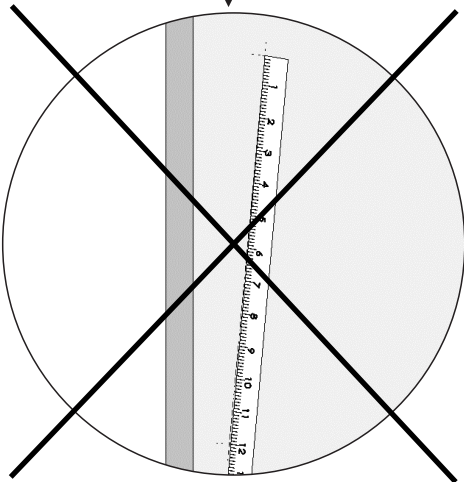
STEP-1



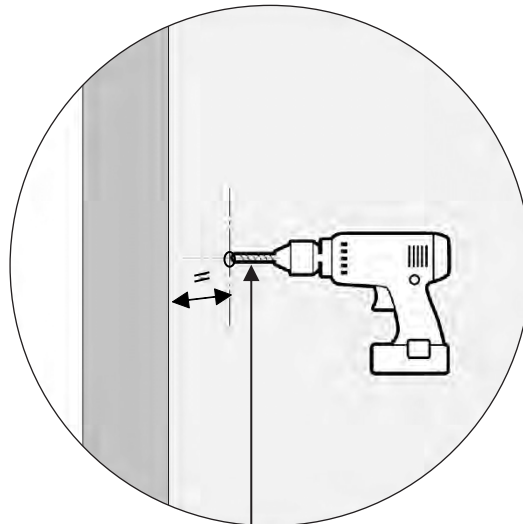
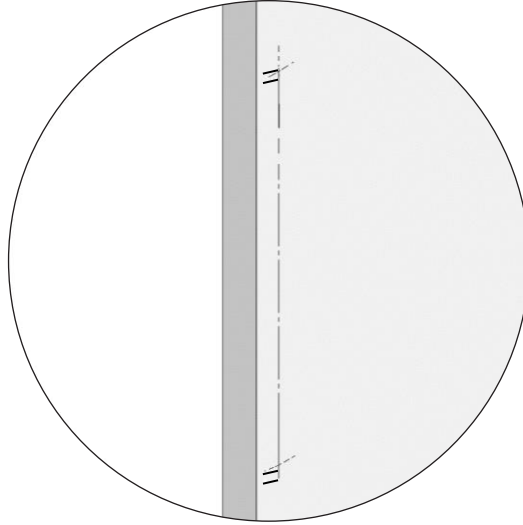
SDP.643.XX.XX.XXX.XXXX.X

Size:-CC

- 12"
- 18"
- 24"
- 36"



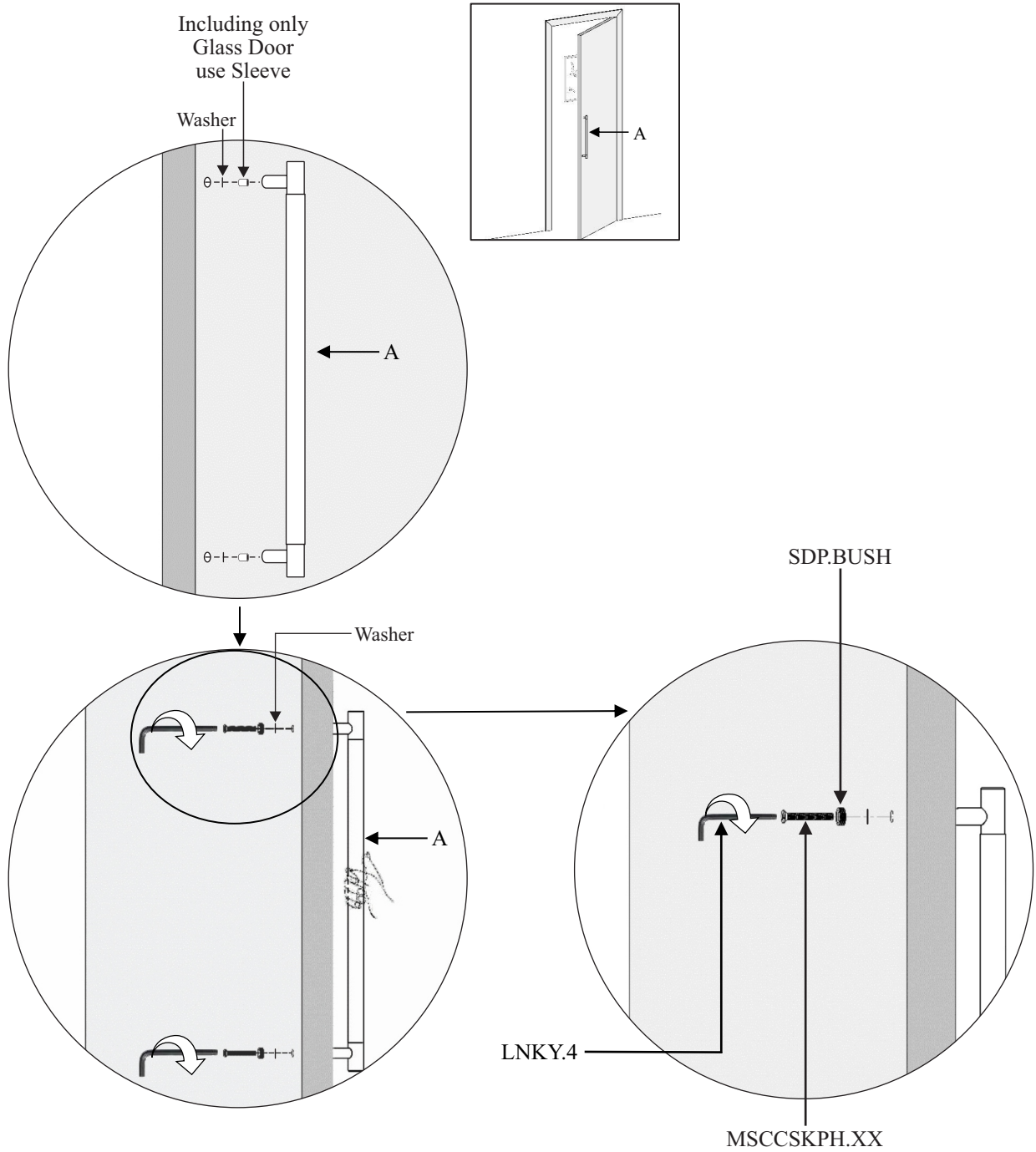
STEP-2



DRILL SIZE			
	Glass	Wood	Metal
SDP BF	3/8" (9.5mm)	1/4" (6.4mm)	1/4" (6.4mm)

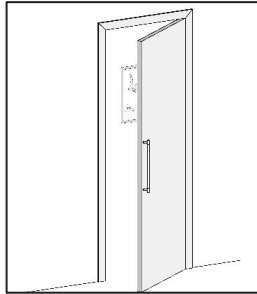
STEP-3

Step Wise Packing List			
S.No.	Part Number	Qty	Steps
2	SLEEVE	1x	3
3	MSCCSKPH.XX	2x	3
4	SDP.BUSH	2x	3
5	LNKY .4	1x	3
6	WASHER	2x	3



STEP-4

Step Wise Packing List			
S.No.	Part Number	Qty	Steps
7	SDP.CAP	2x	4



SDP.CAP

