

Polished Nickel (Finish ID:8)

HERITAGE SURFACE MOUNT DOOR PULL

“Stepped concentric circles of the end posts transition onto the curvilinear bar, classic clean lines can be further enhanced with tactile leather finished with exquisitely detailed saddle stitch.”

	Item Code	Size (mm & Inches)	Material	Size (Inches)				Fig.
				A	B	C	D	
1	SDP.626.12".XX.XXX.XXXX.X	304.8mm (12")	Brass	12.86	0.79	12	1.75	1
2	SDP.626.18".XX.XXX.XXXX.X	457.2mm (18")	Brass	18.86	0.79	18	1.75	1
3	SDP.626.24".XX.XXX.XXXX.X	609.6mm (24")	Brass	24.98	0.91	24	2.06	1
4	SDP.626.12".XX.XXX.XXXX.X	304.8mm (12")	Leather over Brass	12.86	0.79	12	1.75	1
5	SDP.626.18".XX.XXX.XXXX.X	457.2mm (18")	Leather over Brass	18.86	0.79	18	1.75	1
6	SDP.626.24".XX.XXX.XXXX.X	609.6mm (24")	Leather over Brass	24.98	0.91	24	2.06	1

“XX” in item code denotes Finish ID.

“XXX” in item code denotes Door Thickness.

“XXXX” in item code denotes Door Material.

“X” in item code denotes Front Fix or Back Fix.

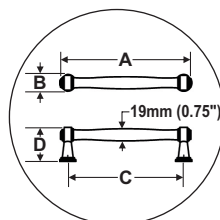
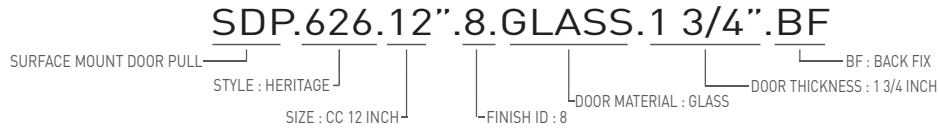


FIG. 1

This product is Supplied with Based on Front Fix or Back Fix Order.

How to Order



Heritage Surface Mount Door Pull Finish Options

Base Material : Brass	Standard Finishes (2-3 Weeks Delivery)							
 Brush Nickel (Finish ID:3)	 Unlacquered Polished Brass (Finish ID:7U)	 Polished Nickel (Finish ID:8)						
Base Material : Brass	Custom Finishes (3-4 Weeks Delivery)*							
 Lacquered Polished Brass (Finish ID:7L)	 Antique Copper (Finish ID:15)	 Matte Black (Finish ID:19)	 Split Black and Polished Nickel (Finish ID:48)	 Split Black and Satin Brass (Finish ID:49)	 Split Satin Brass and White (Finish ID:50)	 Satin Copper (Finish ID:58)		
 Split Black And Chrome (Finish ID:59)	 Split Brush Nickel and Satin Brass (Finish ID:78)	 Split Graphite and Satin Brass (Finish ID:90)	 Split Graphite and Brush Chrome (Finish ID:91)	 Ombre (Finish ID:92)	 Split Graphite and Aged Brass (Finish ID:93)			
Base Material : Brass/Leather	Custom Finishes (3-4 Weeks Delivery)*							
 Split Unlacquered Polished Brass and Tan Leather (Finish ID:62)	 Split Aged Brass and Tan Leather (Finish ID:63)	 Split Satin Brass and Tan Leather (Finish ID:64)	 Split Polished Nickel and Tan Leather (Finish ID:66)	 Split Bright Chrome and Black Leather (Finish ID:67)	 Split Polished Nickel and Pewter Leather (Finish ID:68)	 Split Unlacquered Polished Brass and Pewter Leather (Finish ID:69)		
 Split Brush Nickel and Tan Leather (Finish ID:70)	 Split Grey Leather And Black (Finish ID:88)	 Split White Distress Leather And Black (Finish ID:89)	 Split Polished Nickel And Light Grey Leather (Finish ID:94)					

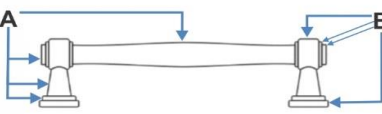
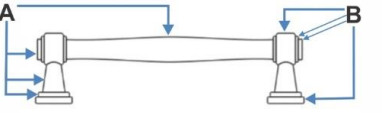
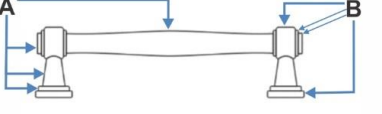
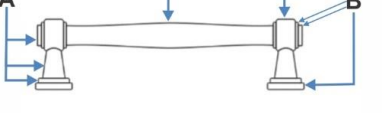
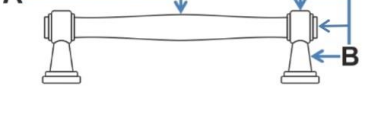
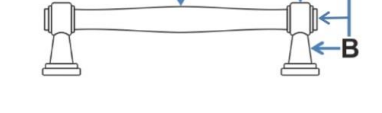


- Custom finishes cannot be returned or refunded. We are unable to accept cancellations for custom finish order unless within 48 hours of the order being placed.
- We have uniform pricing for all non-hammered finishes listed above as long as base material and size is same.
- Contact us for customized finishes, refer pages F1, F2, F3 & F4 for finish glossary.

Front Fix (FF)	
Door Material	Door Thickness
1. Wood	1", 1 1/4", 1 1/2", 1 3/4", 2", 2 1/4", 2 1/2"
2. Metal	1", 1 1/4", 1 1/2", 1 3/4", 2", 2 1/4", 2 1/2"
Back Fix (BF)	
Door Material	Door Thickness
1. Wood	5/16", 3/8", 1/2", 3/4", 1", 1 1/4", 1 1/2", 1 3/4", 2", 2 1/4", 2 1/2"
2. Metal	5/16", 3/8", 1/2", 3/4", 1", 1 1/4", 1 1/2", 1 3/4", 2", 2 1/4", 2 1/2"
3. Glass	5/16", 3/8", 1/2", 3/4", 1"

- Custom finishes cannot be returned or refunded. We are unable to accept cancellations for custom finish order unless within 48 hours of the order being placed.
- We have uniform pricing for all non-hammered finishes listed above as long as base material and size is same.
- Contact us for customized finishes, refer pages F1, F2, F3 & F4 for finish glossary.

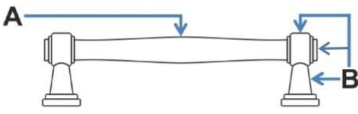
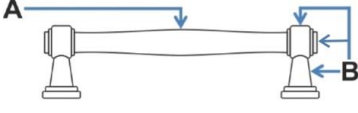
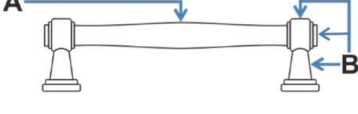
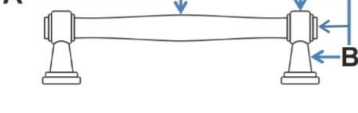
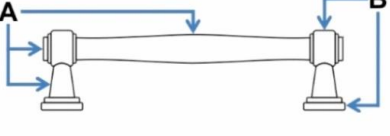


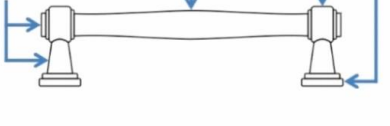
Heritage Surface Mount Door Pull Split Finish

SDP.626.XX.XX

FINISH CODE (XX)	FINISH NAME	LINE DRAWING	A	B
SDP.626.XX.48	Split Black and Polished Nickel		Matte Black	Polished Nickel
SDP.626.XX.49	Split Black and Satin Brass		Matte Black	Satin Brass
SDP.626.XX.50	Split Satin Brass and White		Satin Brass	White Epoxy
SDP.626.XX.59	Split Black And Chrome		Matte Black	Bright Chrome
SDP.626.XX.62	Split Unlacquered Polished Brass and Tan Leather		Tan Leather	Unlacquered Polished Brass
SDP.626.XX.63	Split Aged Brass and Tan Leather		Tan Leather	Aged Brass
SDP.626.XX.64	Split Satin Brass and Tan Leather		Tan Leather	Satin Brass
SDP.626.XX.66	Split Polished Nickel and Tan Leather		Tan Leather	Polished Nickel

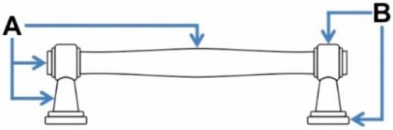
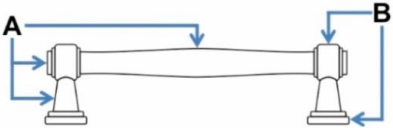
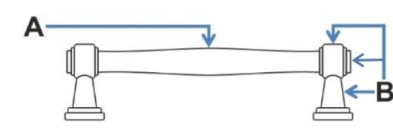
Heritage Surface Mount Door Pull Split Finish

SDP.626.XX.XX

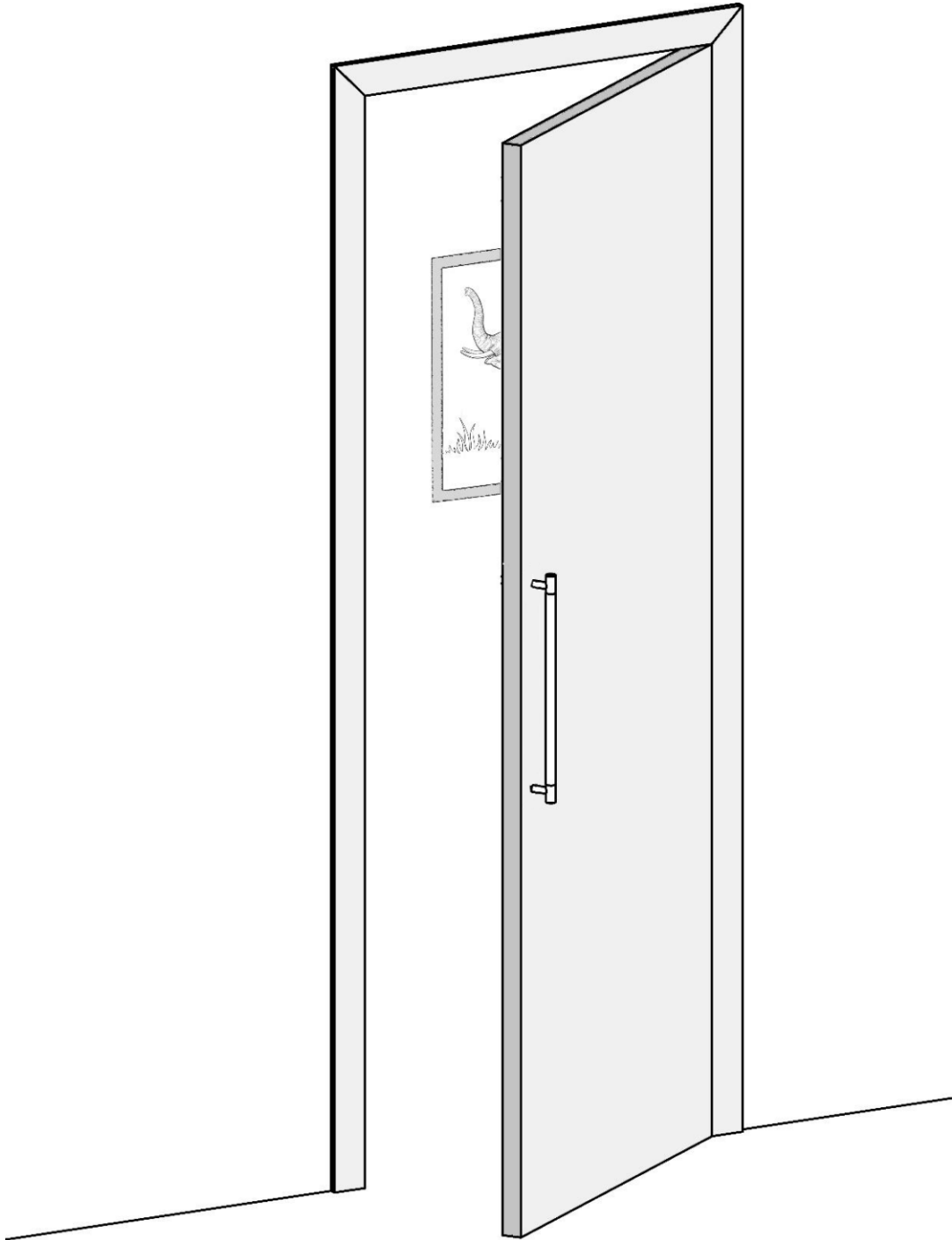
FINISH CODE (XX)	FINISH NAME	LINE DRAWING	A	B
SDP.626.XX.67	Split Bright Chrome and Black Leather		Black Leather	Bright Chrome
SDP.626.XX.68	Split Polished Nickel and Pewter Leather		Pewter Leather	Polished Nickel
SDP.626.XX.69	Split Unlacquered Polished Brass and Pewter Leather		Pewter Leather	Unlacquered Polished Brass
SDP.626.XX.70	Split Brush Nickel and Tan Leather		Tan Leather	Brush Nickel
SDP.626.XX.78	Split Brush Nickel and Satin Brass		Brush Nickel	Satin Brass
SDP.626.XX.88	Split Black and Dark Grey Leather		Dark Grey Leather	Matte Black
SDP.626.XX.89	Split Black and White Distress Leather		White Distress Leather	Matte Black
SDP.626.XX.90	Split Graphite and Satin Brass		Graphite	Satin Brass

Heritage Surface Mount Door Pull Split Finish

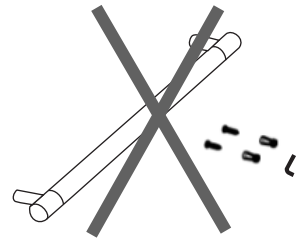
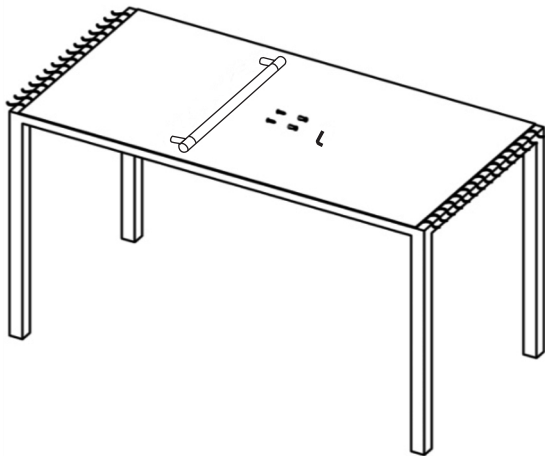
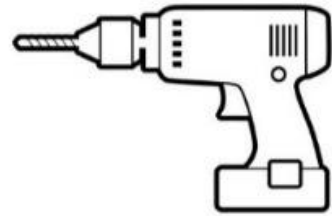
SDP.626.XX.XX

FINISH CODE (XX)	FINISH NAME	LINE DRAWING	A	B
SDP.626.XX.91	Split Graphite and Brush Chrome		Graphite	Brush Chrome
SDP.626.XX.93	Split Graphite and Aged Brass		Graphite	Aged Brass
SDP.626.XX.94	Split Polished Nickel and Light Grey Leather		Light Grey Leather	Polished Nickel

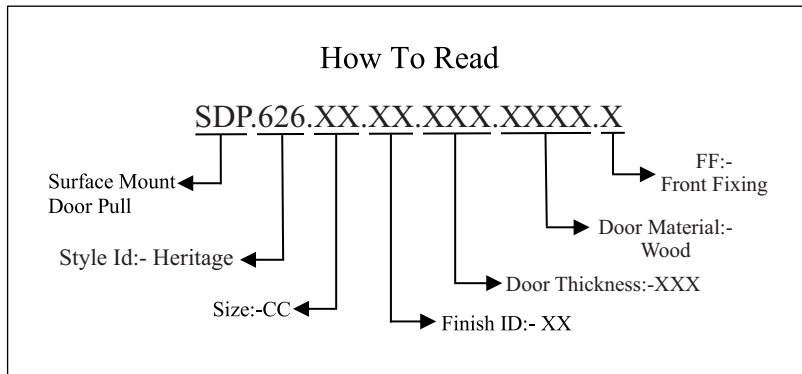
**SURFACE MOUNT FRONT FIXING
HANDLE ILLUSTRATED**



Required Tools



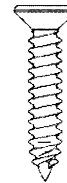
Step Wise Packing List			
S. No.	Part Number	Qty.	Steps
1	SDP.626.XX.XX.XXX.XXXX.X	1x	1
2	SDP.FFPIN	2x	3
3	WSSSCSKPFH.XX	2x	3
4	LNKY. 2.5	1x	4
5	Manual	1x	-



SDP.626.XX.XX.XXX.XXXX.X



SDP.FFPIN

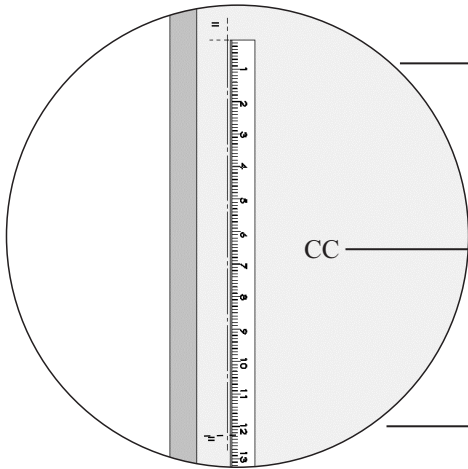
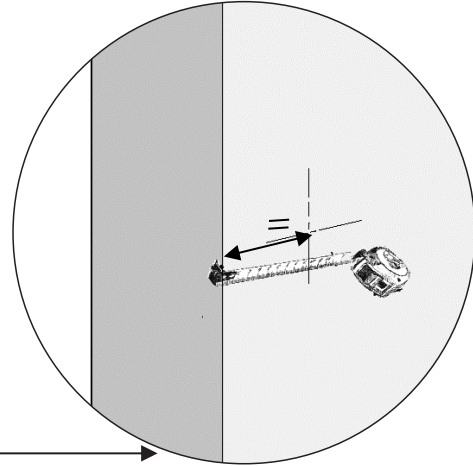
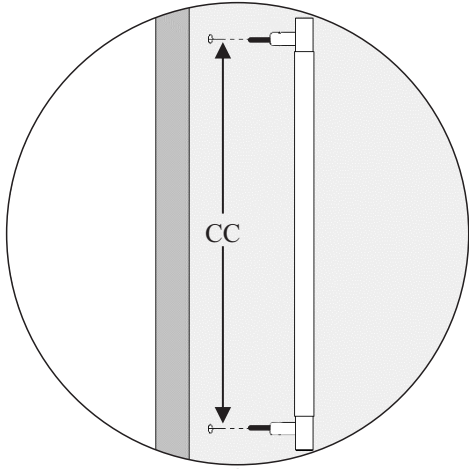


WSSSCSKPFH.XX



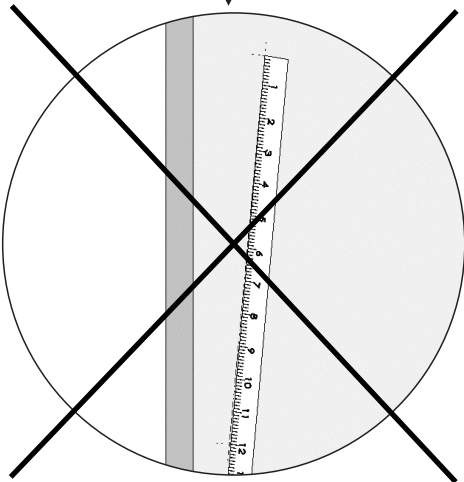
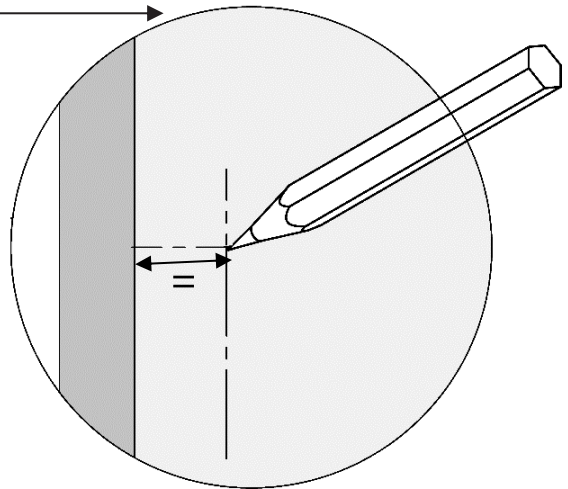
LNKY. 2.5

STEP-1

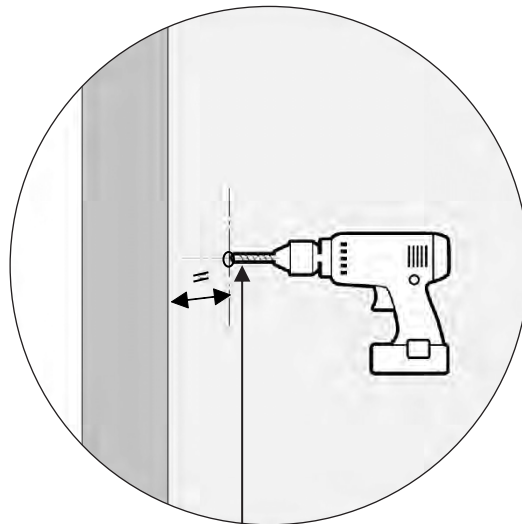
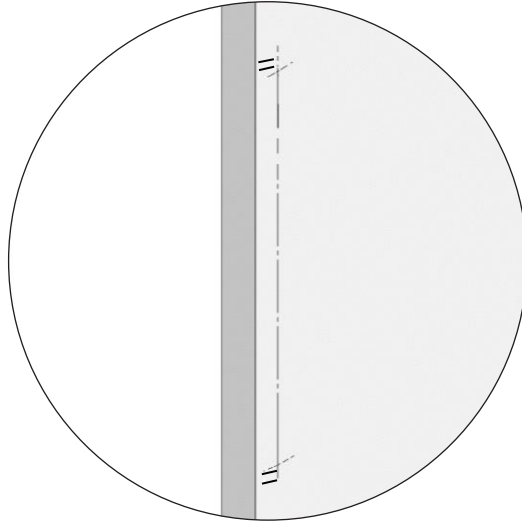


SDP.626.XX.XX.XXX.XXXX.X

Size:-CC
↓
12"
18"
24"



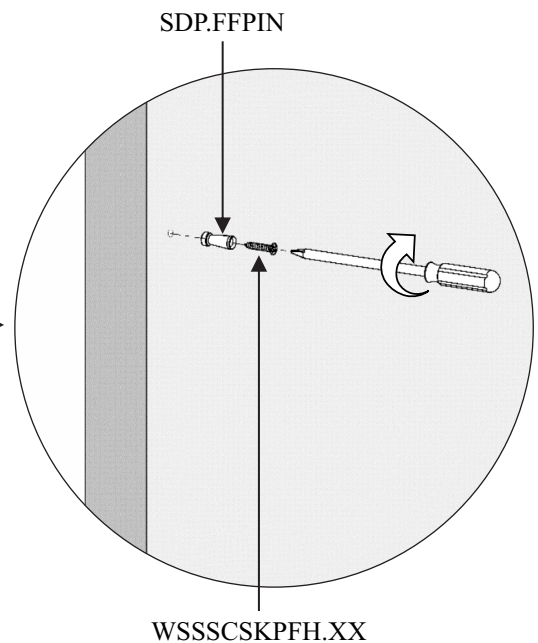
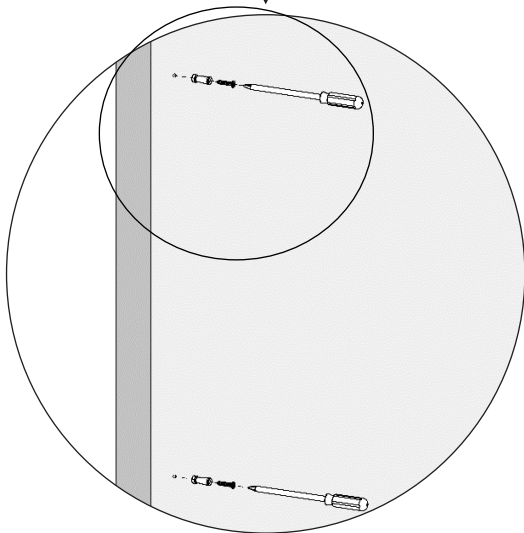
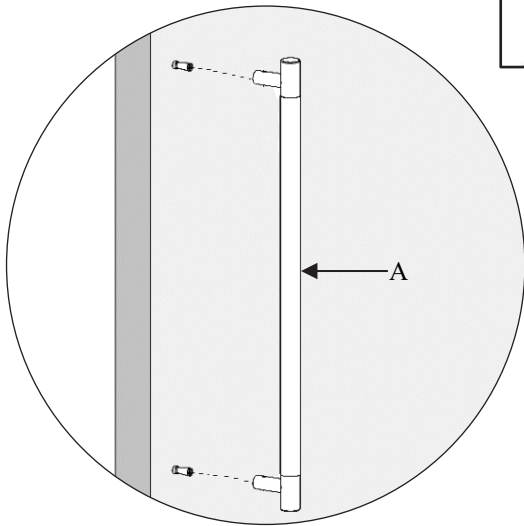
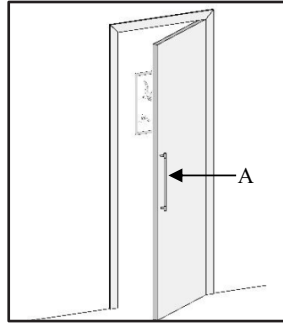
STEP-2



DRILL SIZE			
	Glass	Wood	Metal
SDP FF	N/A	1/10" (2.5mm)	N/A

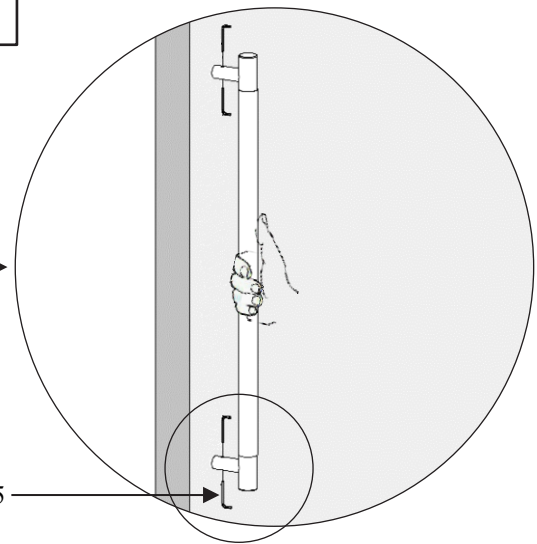
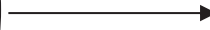
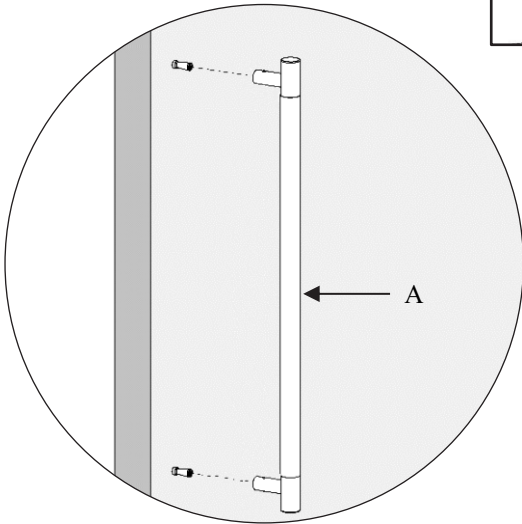
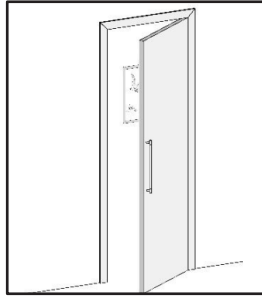
STEP-3

Step Wise Packing List			
S. No.	Part Number	Qty.	Steps
2	SDP.FFPIN	2x	3
3	WSSCSKPFH.XX	2x	3

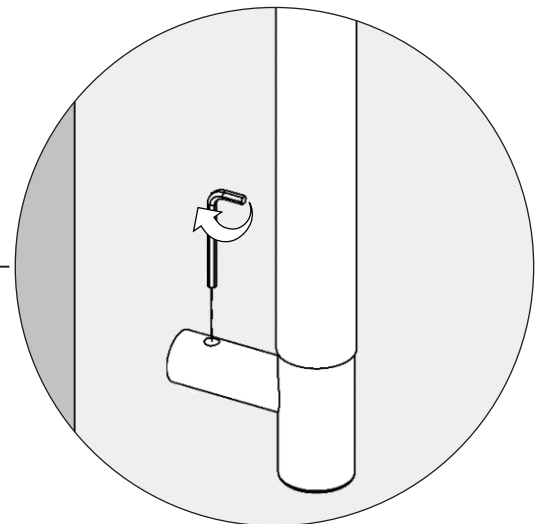
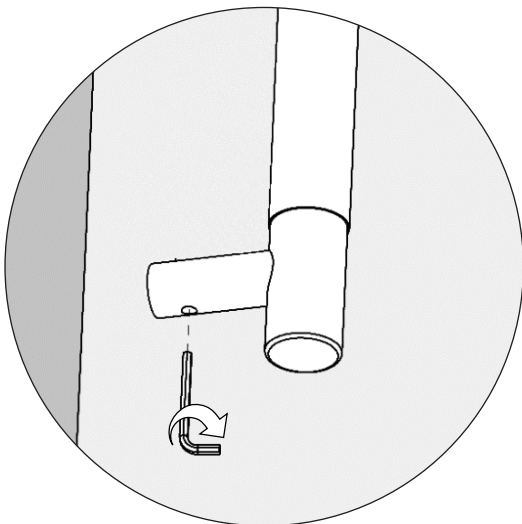


STEP-4

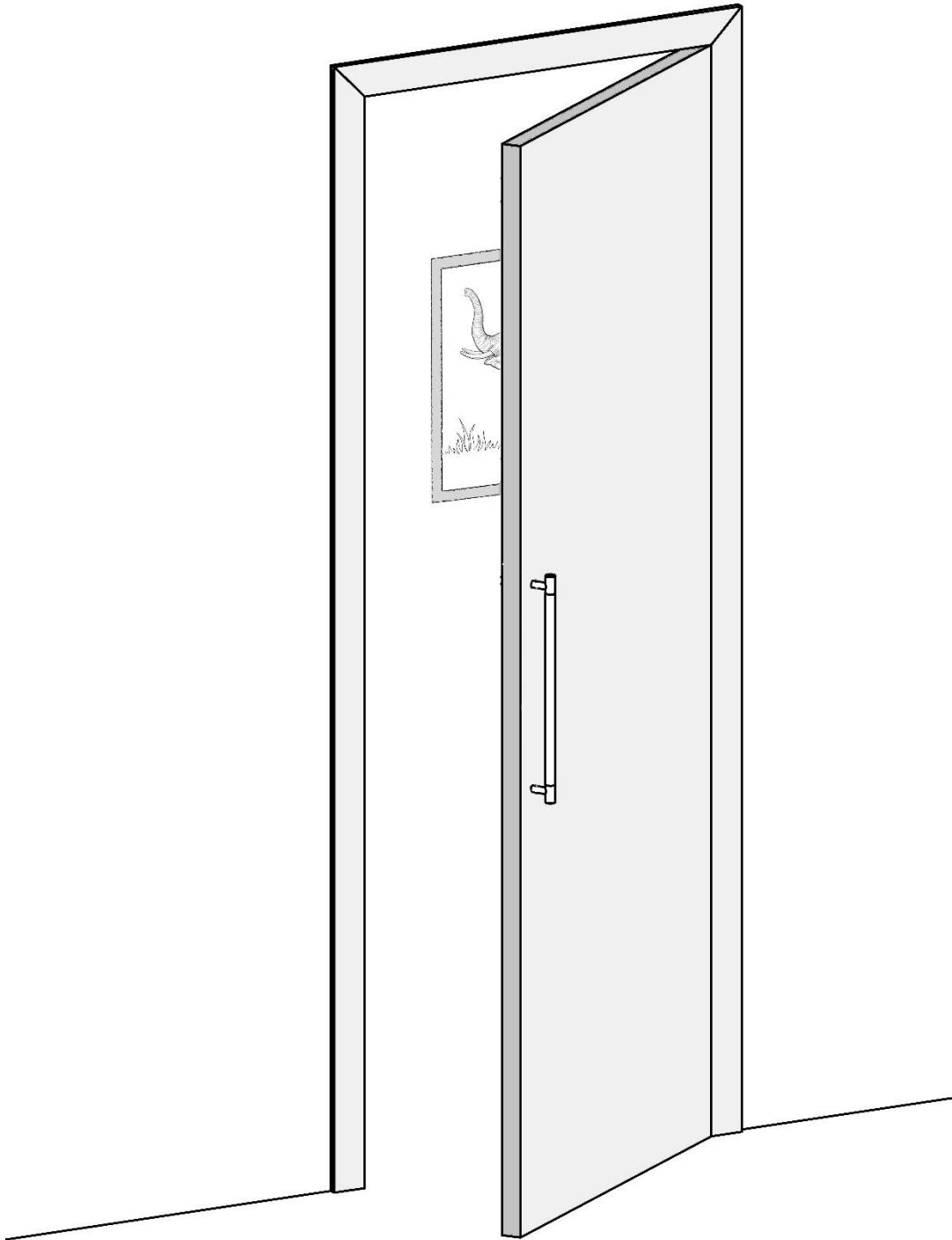
Step Wise Packing List			
S. No.	Part Number	Qty.	Steps
4	LNKY. 2.5	1x	4



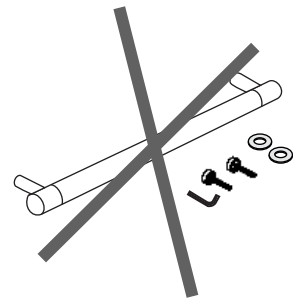
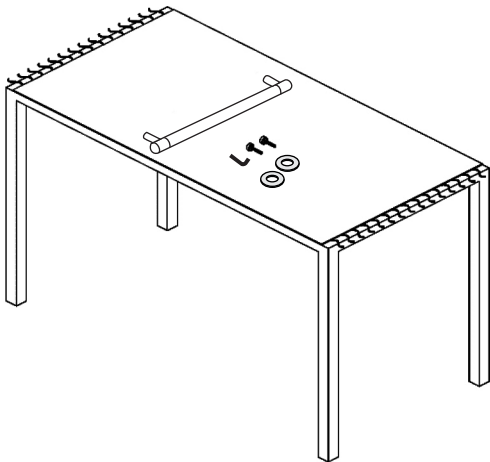
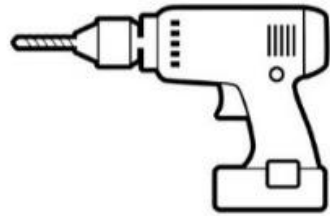
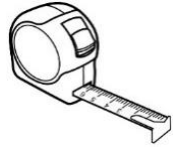
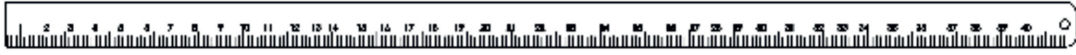
LNKY.2.5



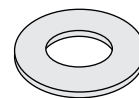
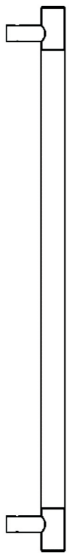
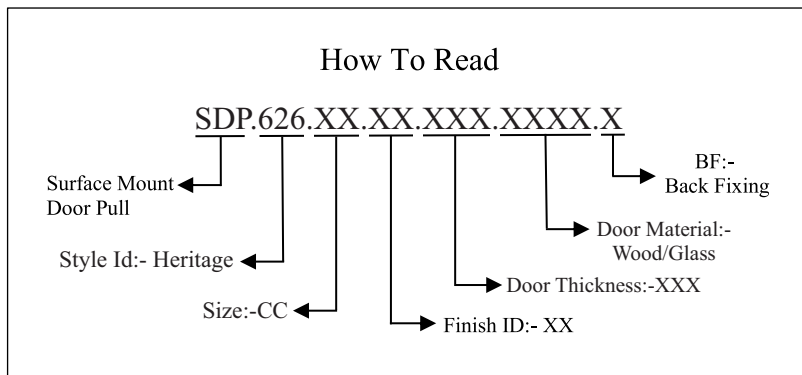
**SURFACE MOUNT BACK FIXING
HANDLE ILLUSTRATED**



Required Tools



Step Wise Packing List			
S. No.	Part Number	Qty.	Steps
1	SDP.626.XX.XX.XXX.XXXX.X	1x	1
2	SLEEVE	1x	3
3	MSCCSKPH.XX	2x	3
4	SDP.BUSH	2x	3
5	LNKY.4	1x	3
6	WASHER	2x	3
7	SDP.CAP	2x	4
8	Manual	1x	-



SDP.626.XX.XX.XXX.XXXX.X

MSCCSKPH.XX

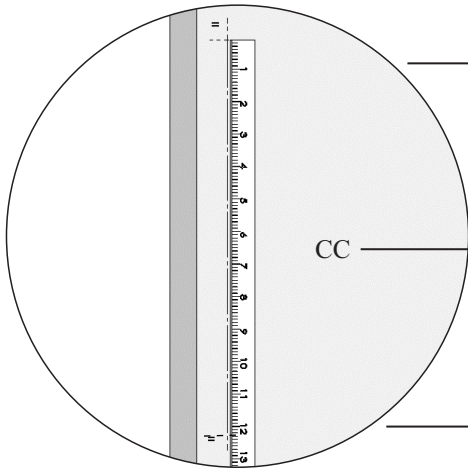
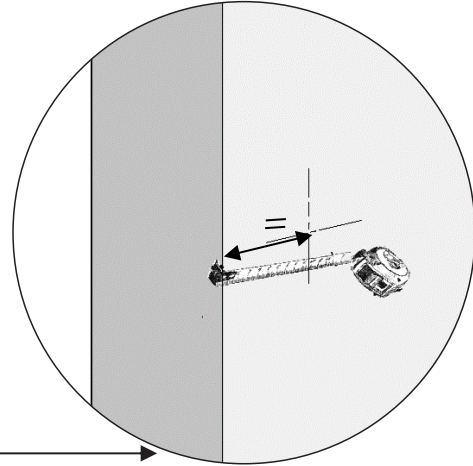
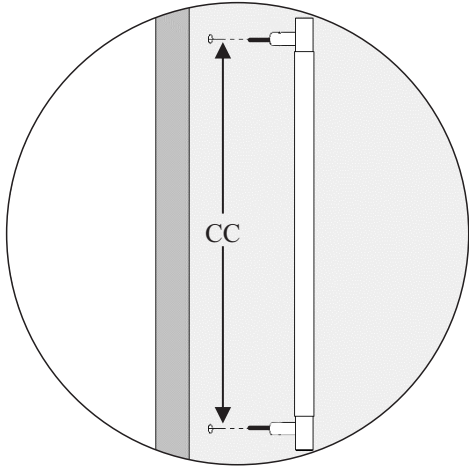
SDP.BUSH

LNKY 4

WASHER

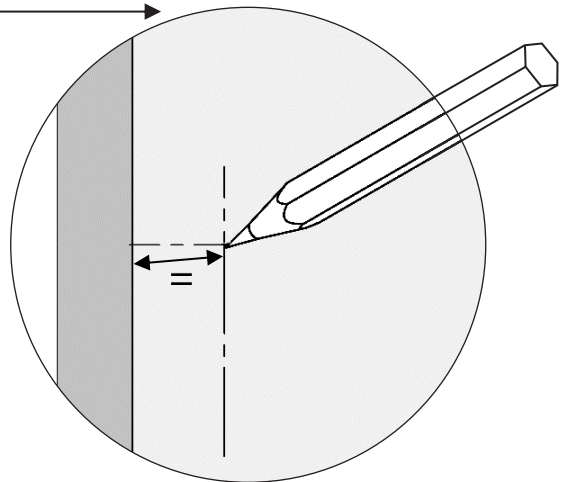
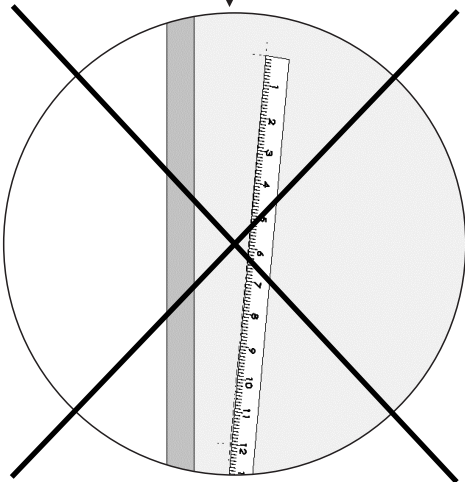
SDP.CAP

STEP-1

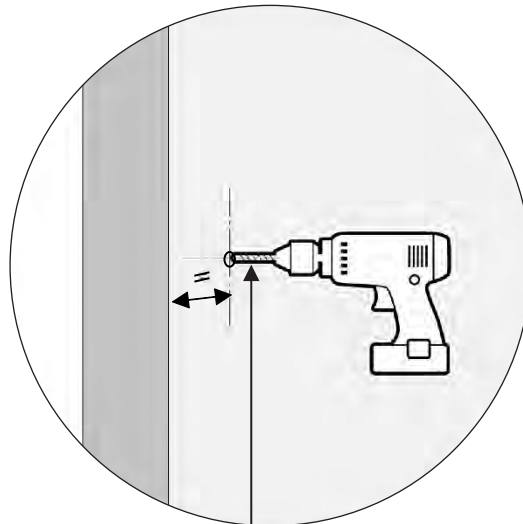
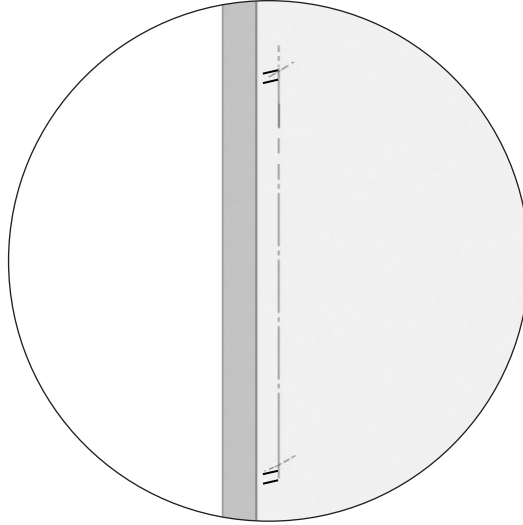


SDP.626.XX.XX.XXX.XXXX.X

Size:-CC
↓
12"
18"
24"



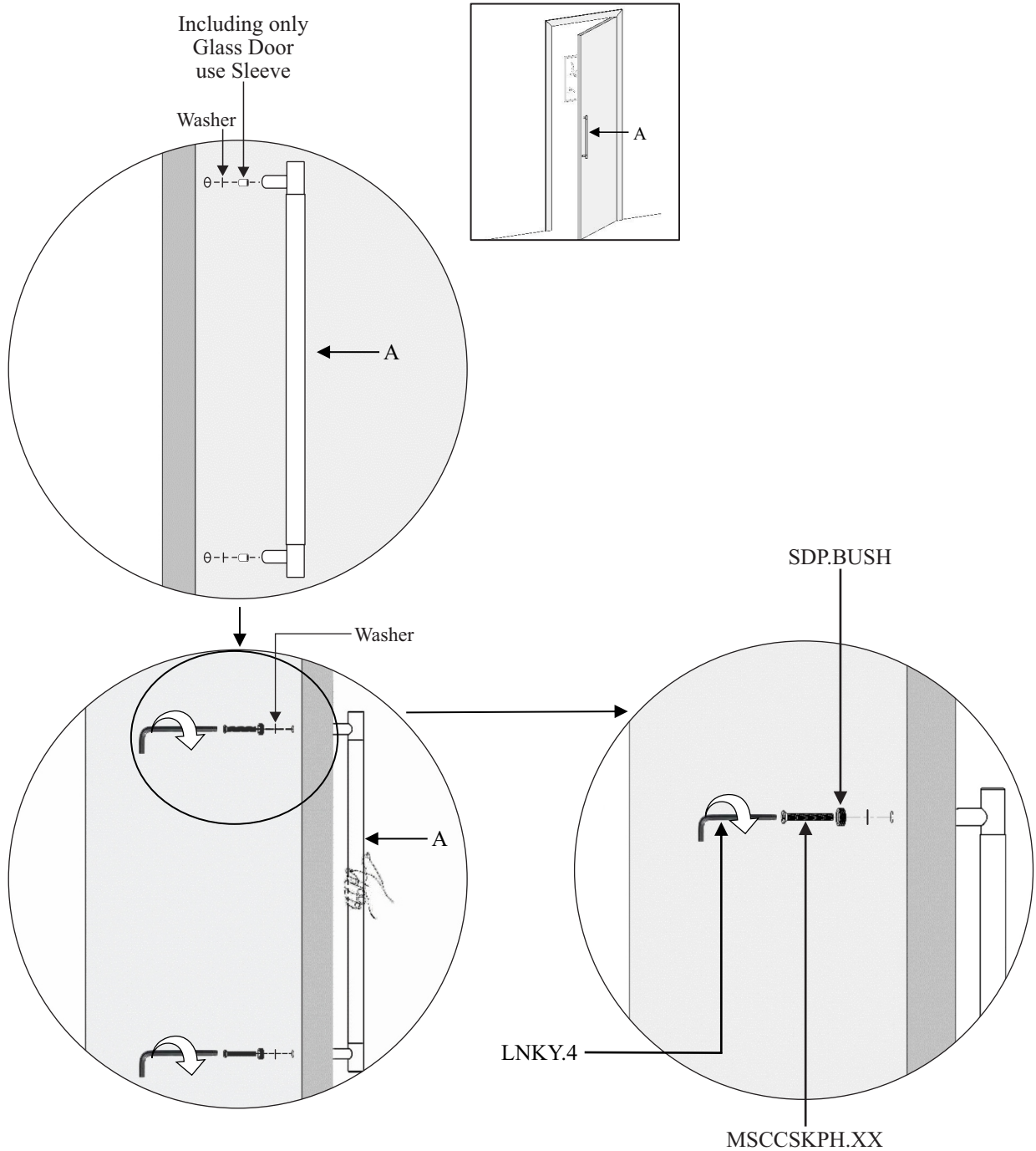
STEP-2



DRILL SIZE			
	Glass	Wood	Metal
SDP BF	3/8" (9.5mm)	1/4" (6.4mm)	1/4" (6.4mm)

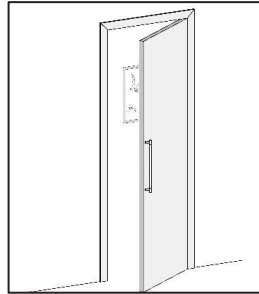
STEP-3

Step Wise Packing List			
S.No.	Part Number	Qty	Steps
2	SLEEVE	1x	3
3	MSCCSKPH.XX	2x	3
4	SDP.BUSH	2x	3
5	LNKY .4	1x	3
6	WASHER	2x	3



STEP-4

Step Wise Packing List			
S.No.	Part Number	Qty	Steps
7	SDP.CAP	2x	4



SDP.CAP

