



Brush Nickel (Finish ID:3)

HAUTE SURFACE MOUNT DOOR PULL

	Item Code	Size (mm & Inches)	Material	Size (Inches)				Fig.
				A	B	C	D	
1	SDP.614.12".XX.XXX.XXXX.X	304.8mm (12")	Brass	15.94	1.1	12	2.05	1
2	SDP.614.18".XX.XXX.XXXX.X	457.2mm (18")	Brass	21.93	1.1	18	2.05	1
3	SDP.614.24".XX.XXX.XXXX.X	609.6mm (24")	Brass	27.95	1.1	24	2.05	1
4	SDP.614.36".XX.XXX.XXXX.X	914.4mm (36")	Brass	39.96	1.1	36	2.05	1
5	SDP.614.12".XX.XXX.XXXX.X	304.8mm (12")	Hammered Over Brass	15.94	1.1	12	2.05	1
6	SDP.614.18".XX.XXX.XXXX.X	457.2mm (18")	Hammered Over Brass	21.93	1.1	18	2.05	1
7	SDP.614.24".XX.XXX.XXXX.X	609.6mm (24")	Hammered Over Brass	27.95	1.1	24	2.05	1
8	SDP.614.36".XX.XXX.XXXX.X	914.4mm (36")	Hammered Over Brass	39.96	1.1	36	2.05	1

"XX" in item code denotes Finish ID.

"XXX" in item code denotes Door Thickness.

"XXXX" in item code denotes Door Material.

"X" in item code denotes Front Fix or Back Fix.

This product is Supplied with Based on Front Fix or Back Fix Order.

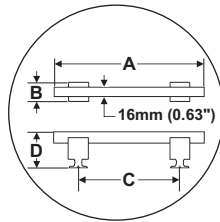


FIG. 1

How to Order

SDP.614.12".3.WOOD.1".BF



Haute Surface Mount Door Pull Finish Options

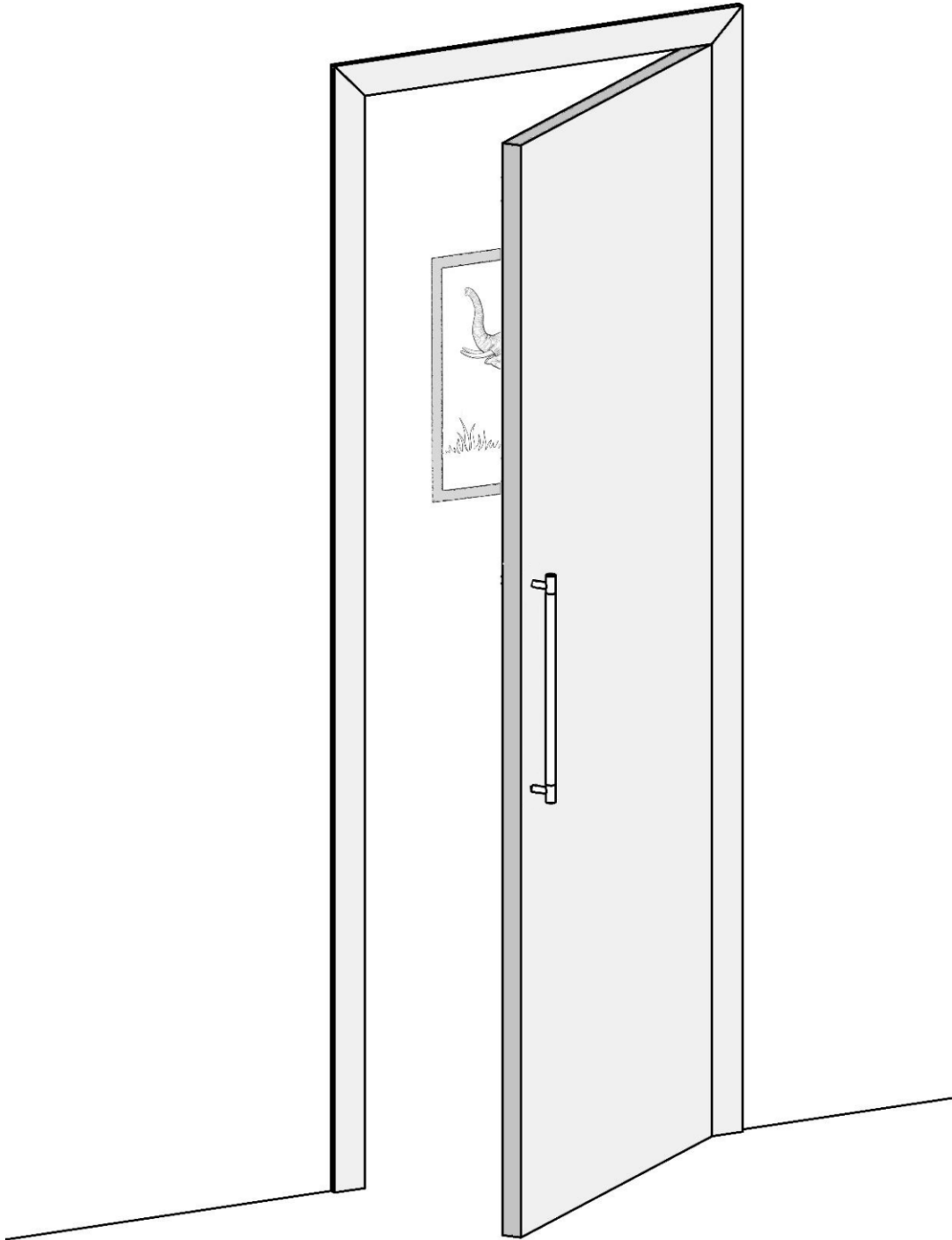
Base Material : Brass		Standard Finishes (2-3 Weeks Delivery)				
						
Bright Chrome (Finish ID:2)	Brush Nickel (Finish ID:3)	Aged Brass (Finish ID:4)	Unlacquered Polished Brass (Finish ID:7U)	Polished Nickel (Finish ID:8)	Satin Brass (Finish ID:13)	
Base Material : Brass		Custom Finishes (3-4 Weeks Delivery)				
						
Lacquered Polished Brass (Finish ID:7L)	Hammered over Brush Nickel (Finish ID:12-3)	Hammered over Aged Brass (Finish ID:12-4)	Hammered over Polished Nickel (Finish ID:12-8)	Hammered over Satin Brass (Finish ID:12-13)	Matte Black (Finish ID:19)	Graphite (Finish ID:61)
						
Titanium (Finish ID:79)	Ombre (Finish ID:92)	Brush Chrome (Finish ID:95)				

- Custom finishes cannot be returned or refunded. We are unable to accept cancellations for custom finish order unless within 48 hours of the order being placed.
- We have uniform pricing for all non-hammered finishes listed above as long as base material and size is same.
- Contact us for customized finishes, refer pages F1, F2, F3 & F4 for finish glossary.

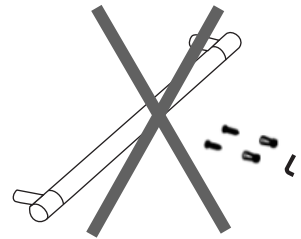
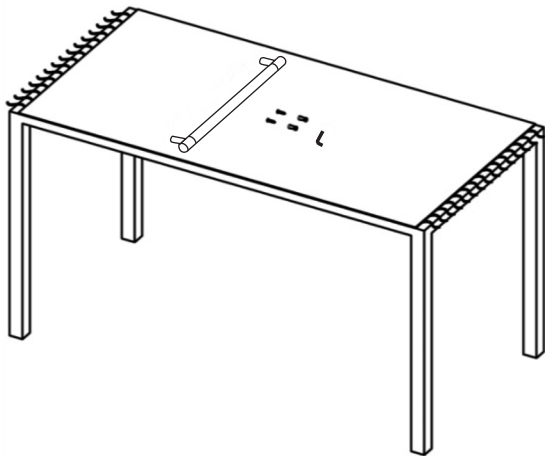
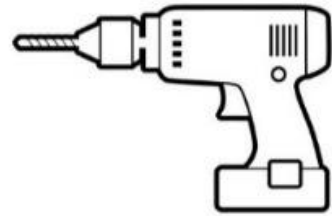
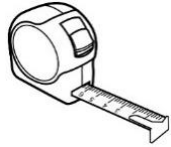
Front Fix (FF)	
Door Material	Door Thickness
1. Wood	1", 1 1/4", 1 1/2", 1 3/4", 2", 2 1/4", 2 1/2"
2. Metal	1", 1 1/4", 1 1/2", 1 3/4", 2", 2 1/4", 2 1/2"
Back Fix (BF)	
Door Material	Door Thickness
1. Wood	5/16", 3/8", 1/2", 3/4", 1", 1 1/4", 1 1/2", 1 3/4", 2", 2 1/4", 2 1/2"
2. Metal	5/16", 3/8", 1/2", 3/4", 1", 1 1/4", 1 1/2", 1 3/4", 2", 2 1/4", 2 1/2"
3. Glass	5/16", 3/8", 1/2", 3/4", 1"

- Custom finishes cannot be returned or refunded. We are unable to accept cancellations for custom finish order unless within 48 hours of the order being placed.
- We have uniform pricing for all non-hammered finishes listed above as long as base material and size is same.
- Contact us for customized finishes, refer pages F1, F2, F3 & F4 for finish glossary.

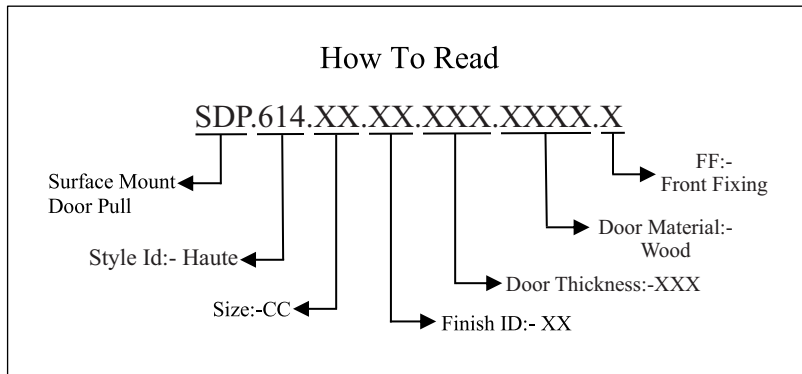
**SURFACE MOUNT FRONT FIXING
HANDLE ILLUSTRATED**



Required Tools



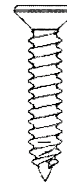
Step Wise Packing List			
S. No.	Part Number	Qty.	Steps
1	SDP.614.XX.XX.XXX.XXXX.X	1x	1
2	SDP.FFPIN	2x	3
3	WSSSCSKPFH.XX	2x	3
4	LNKY. 2.5	1x	4
5	Manual	1x	-



SDP.614.XX.XX.XXX.XXXX.X



SDP.FFPIN

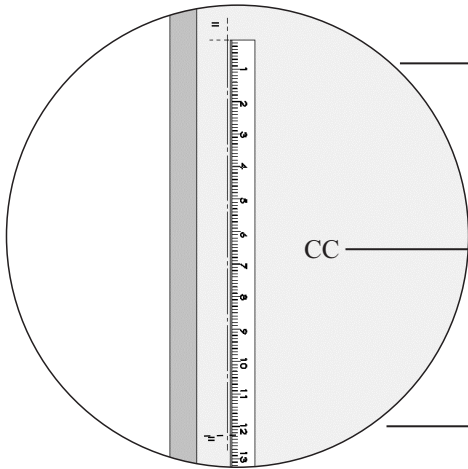
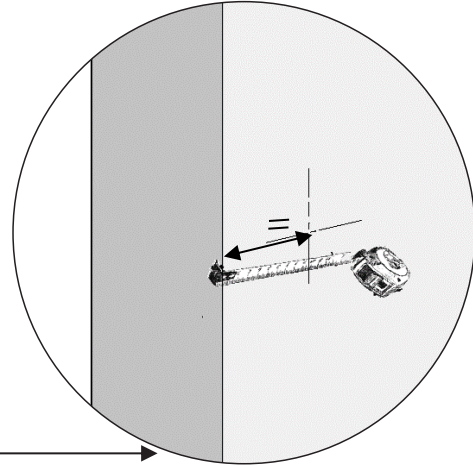
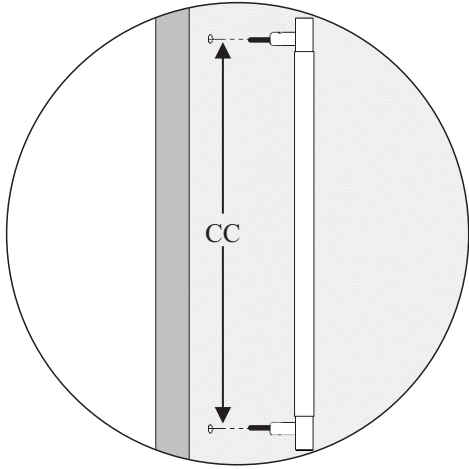


WSSSCSKPFH.XX



LNKY. 2.5

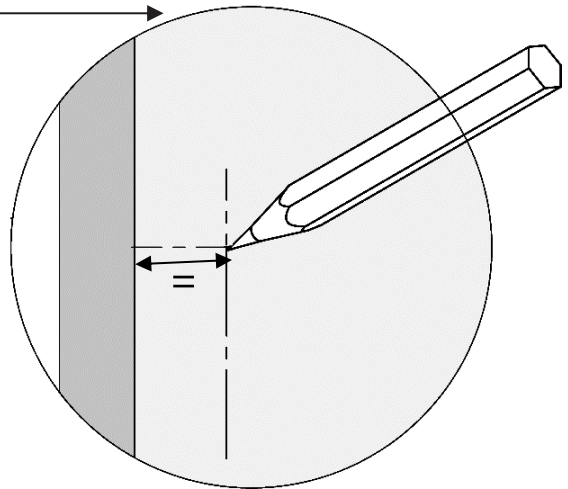
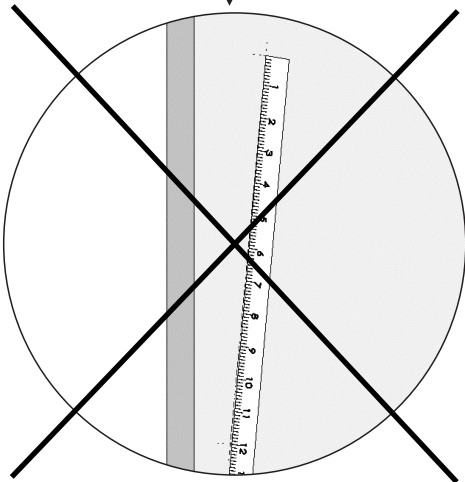
STEP-1



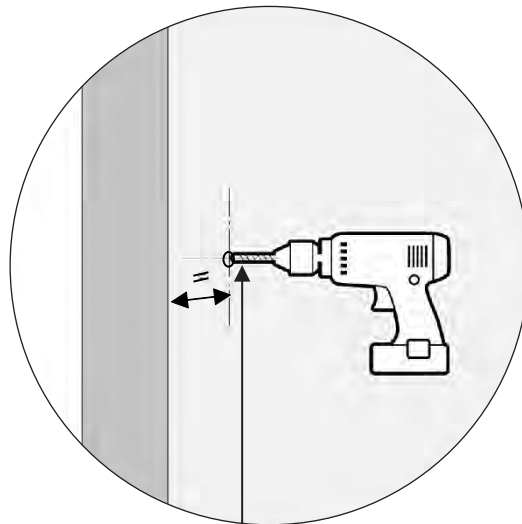
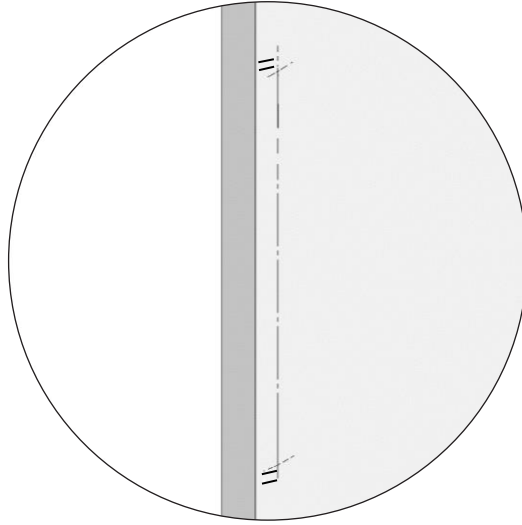
SDP.614.XX.XX.XXX.XXXX.X

Size:-CC

- 12"
- 18"
- 24"
- 36"



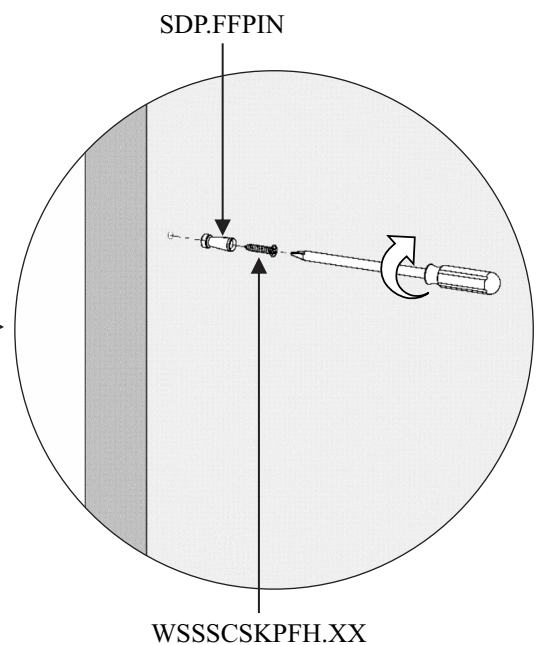
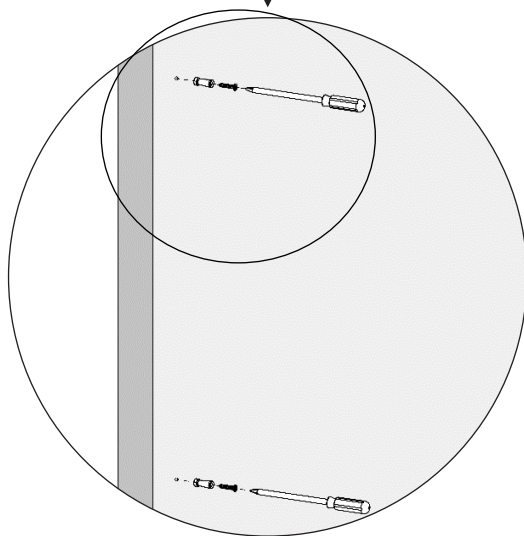
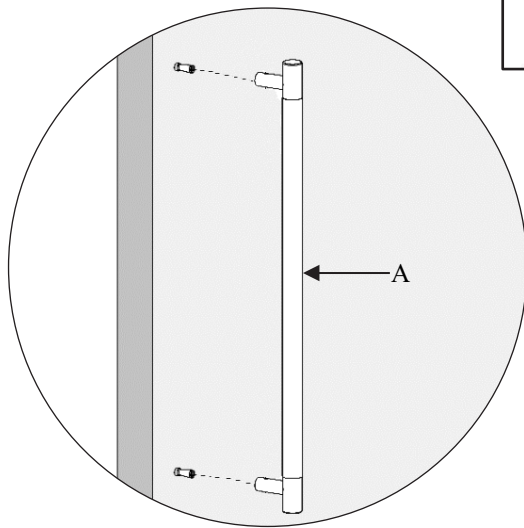
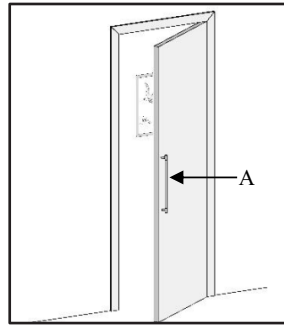
STEP-2



DRILL SIZE			
	Glass	Wood	Metal
SDP FF	N/A	1/10" (2.5mm)	N/A

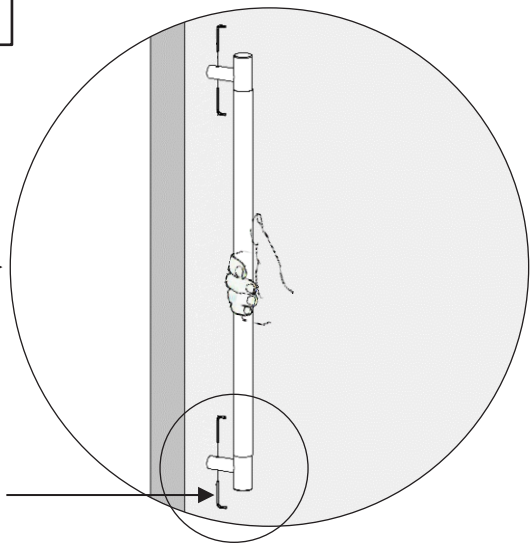
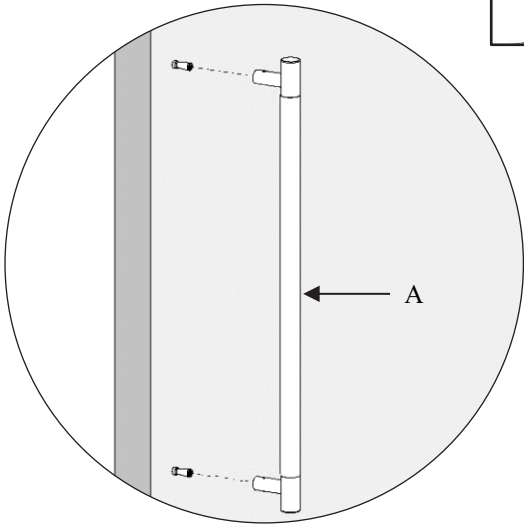
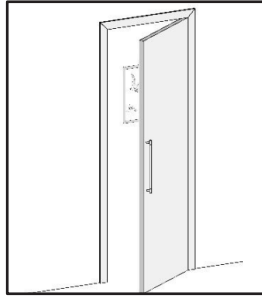
STEP-3

Step Wise Packing List			
S. No.	Part Number	Qty.	Steps
2	SDP.FFPIN	2x	3
3	WSSCSKPFH.XX	2x	3

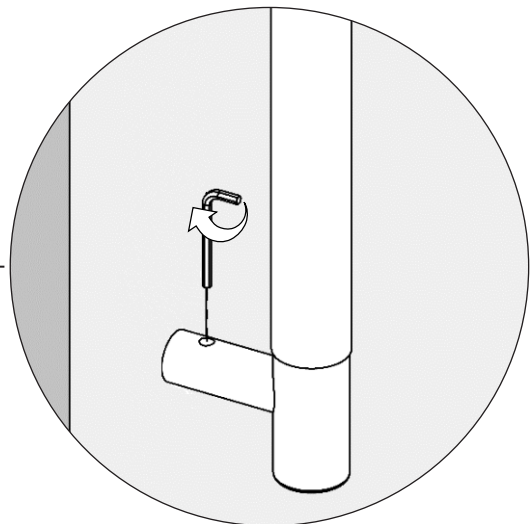
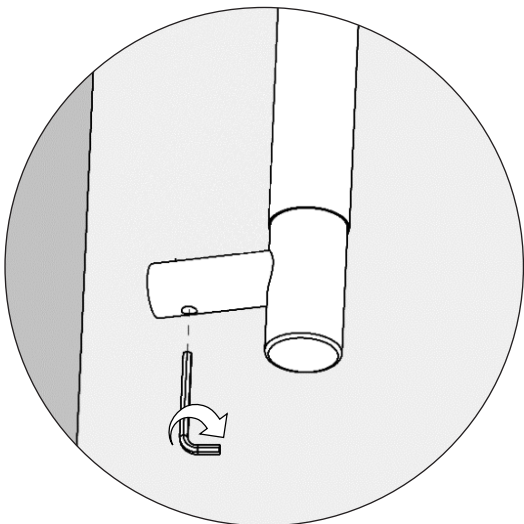


STEP-4

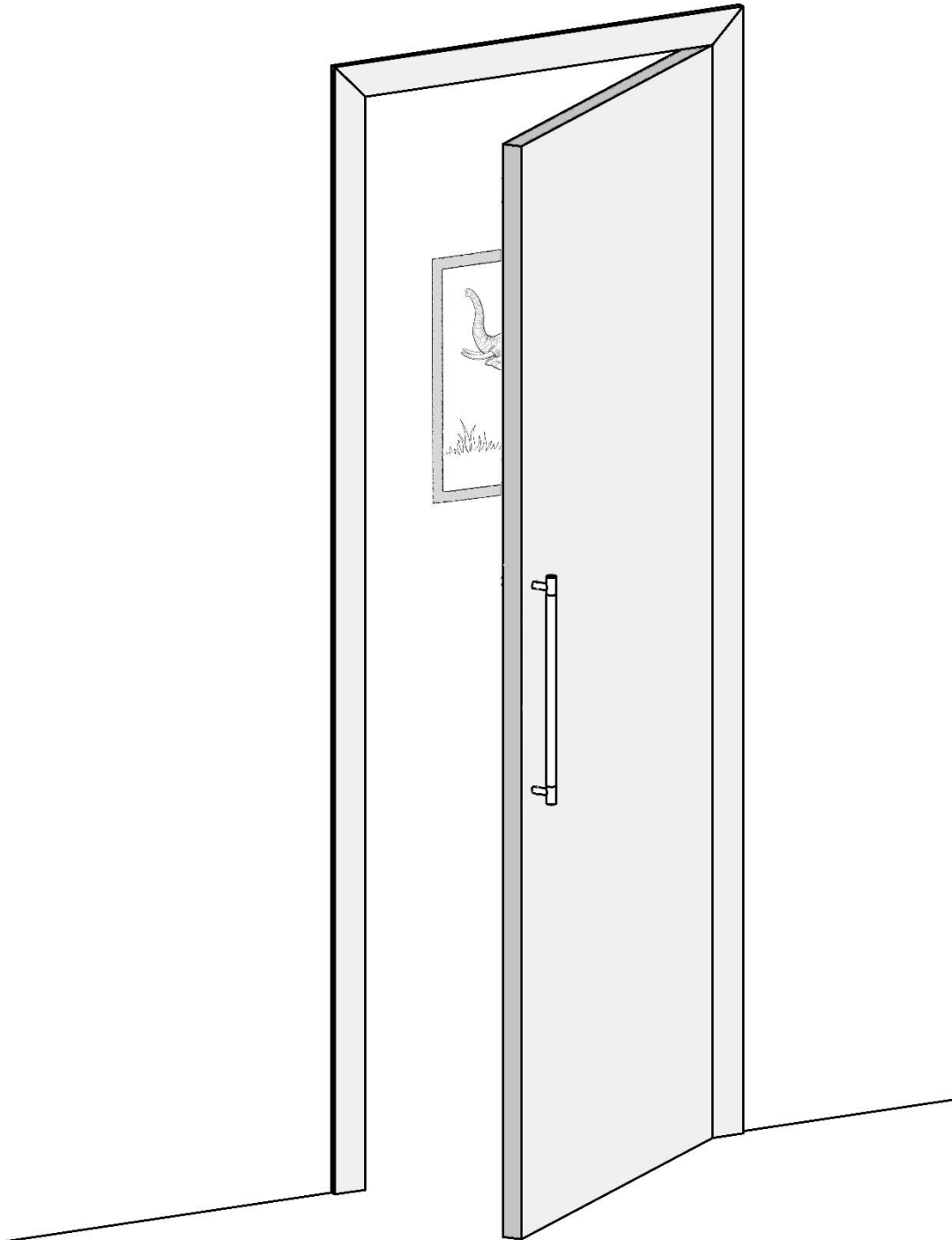
Step Wise Packing List			
S. No.	Part Number	Qty.	Steps
4	LNKY. 2.5	1x	4



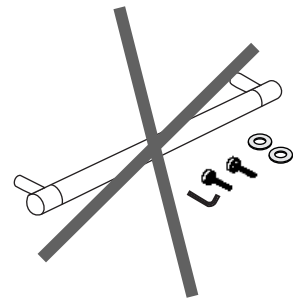
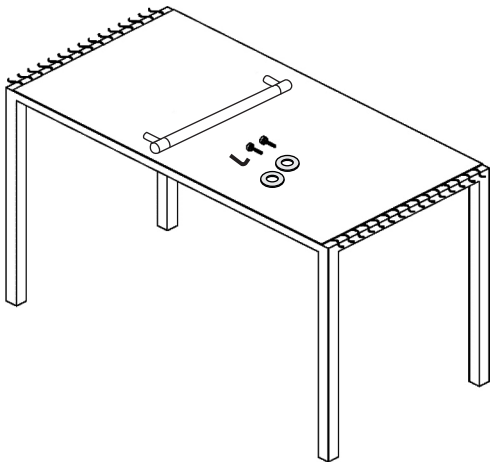
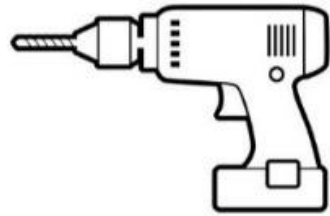
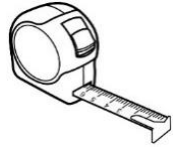
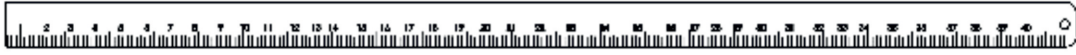
LNKY.2.5



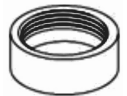
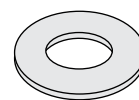
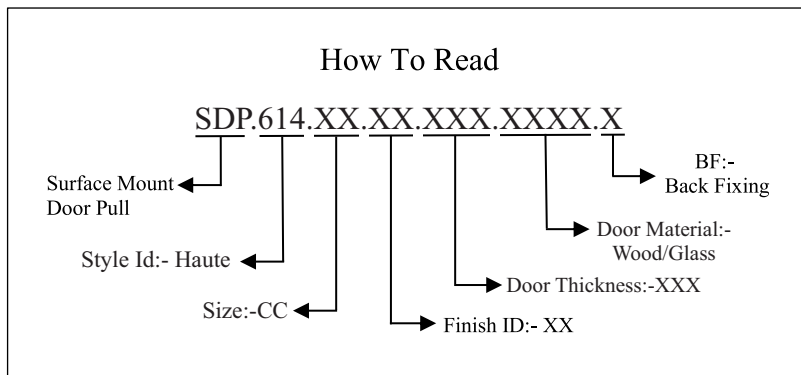
**SURFACE MOUNT BACK FIXING
HANDLE ILLUSTRATED**



Required Tools



Step Wise Packing List			
S. No.	Part Number	Qty.	Steps
1	SDP.614.XX.XX.XXX.XXXX.X	1x	1
2	SLEEVE	1x	3
3	MSCCSKPH.XX	2x	3
4	SDP.BUSH	2x	3
5	LNKY.4	1x	3
6	WASHER	2x	3
7	SDP.CAP	2x	4
8	Manual	1x	-



SDP.614.XX.XX.XXX.XXXX.X

MSCCSKPH.XX

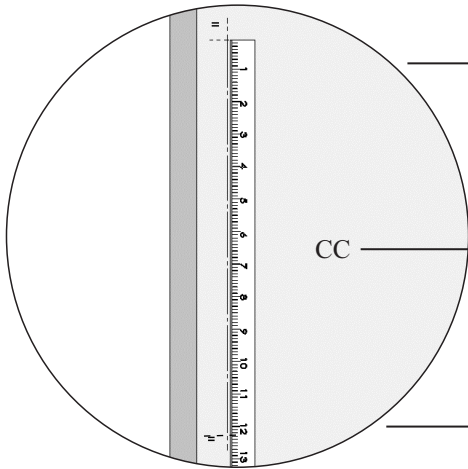
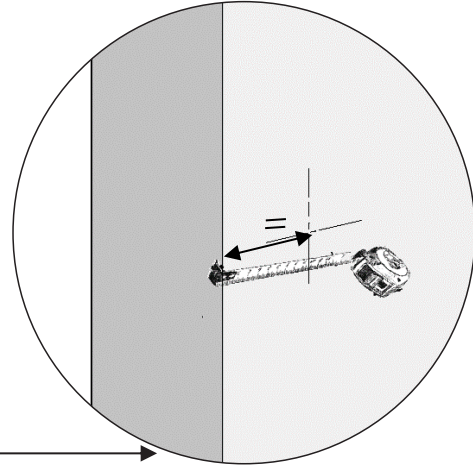
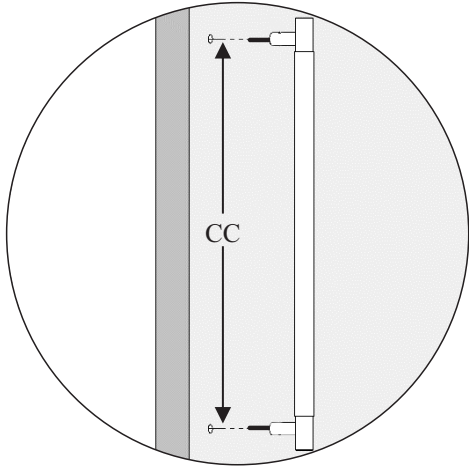
SDP.BUSH

LNKY 4

WASHER

SDP.CAP

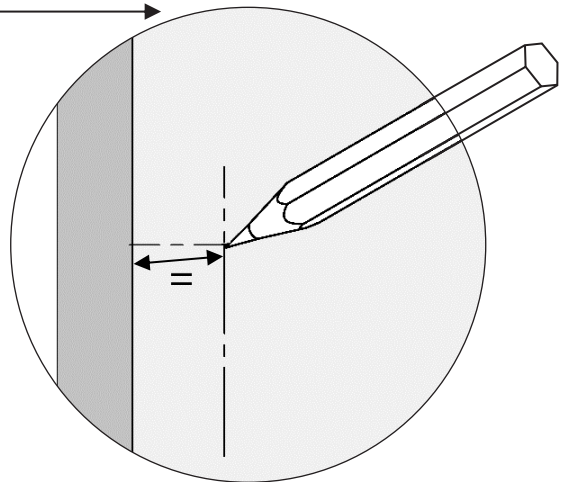
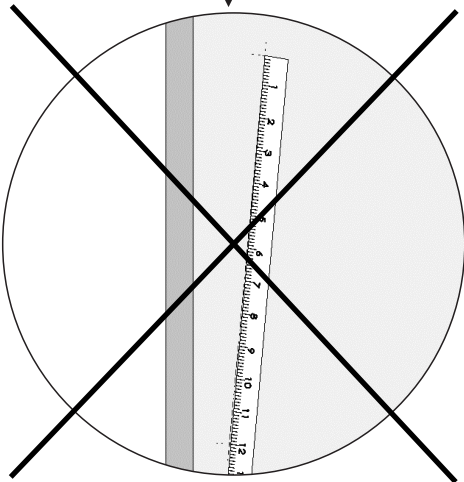
STEP-1



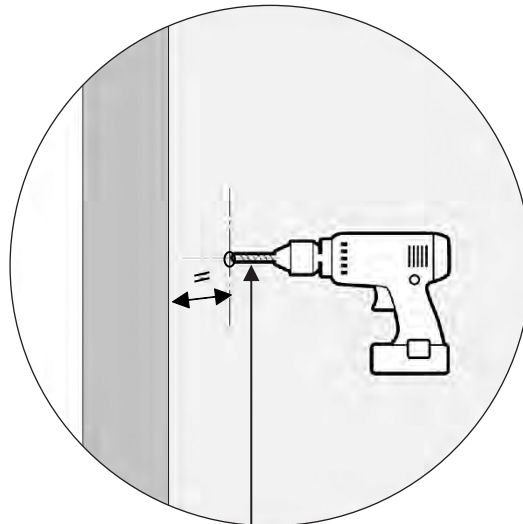
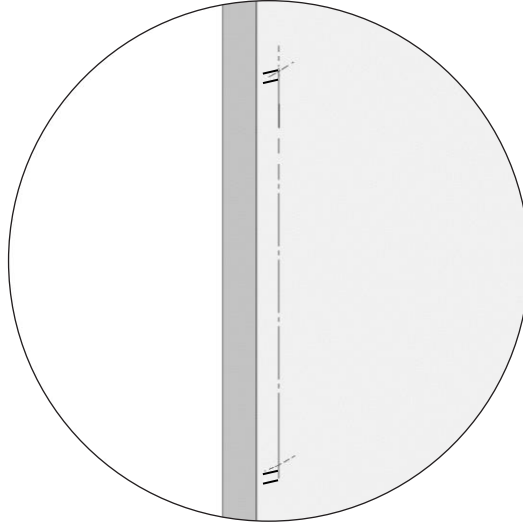
SDP.614.XX.XX.XXX.XXXX.X

Size:-CC

- 12"
- 18"
- 24"
- 36"



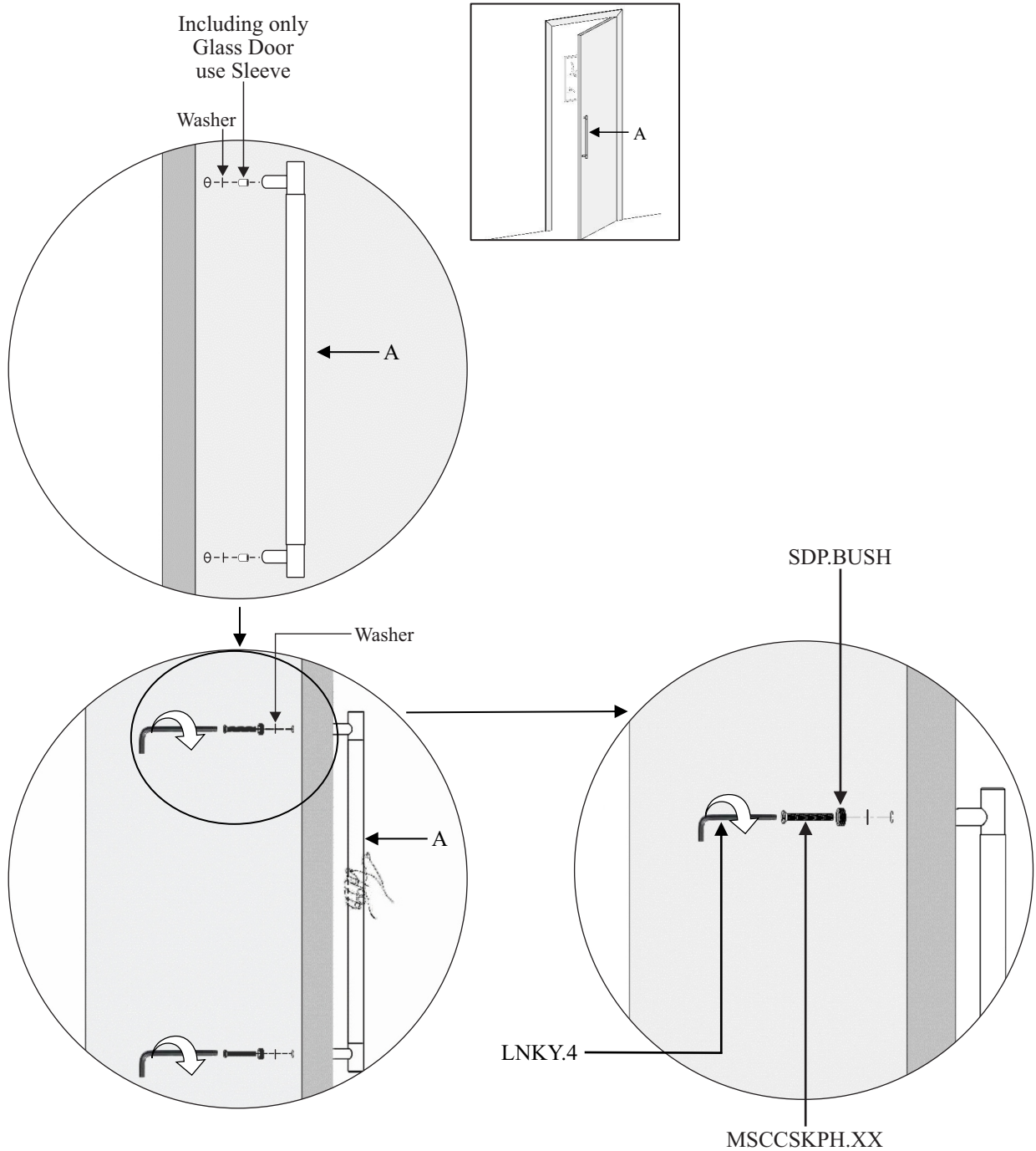
STEP-2



DRILL SIZE			
	Glass	Wood	Metal
SDP BF	3/8" (9.5mm)	1/4" (6.4mm)	1/4" (6.4mm)

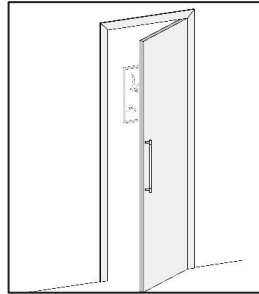
STEP-3

Step Wise Packing List			
S.No.	Part Number	Qty	Steps
2	SLEEVE	1x	3
3	MSCCSKPH.XX	2x	3
4	SDP.BUSH	2x	3
5	LNKY .4	1x	3
6	WASHER	2x	3



STEP-4

Step Wise Packing List			
S.No.	Part Number	Qty	Steps
7	SDP.CAP	2x	4



SDP.CAP

