

Satin Brass (Finish ID:13)

## BELGIAN SIDE BY SIDE SURFACE MOUNT DOOR PULL

Item Code	Size (mm & Inches)	Material	Size (Inches)				Fig.
			A	B	C	D	
1 SDP.1082.8".XX.XXX.XXXX.X	203.2mm (8")	Brass	8	4	7	1.14	1
2 SDP.1082.12".XX.XXX.XXXX.X	304.8mm (12")	Brass	12	6	11	1.38	1
3 SDP.1082.18".XX.XXX.XXXX.X	457.2mm (18")	Brass	18	9	17	1.5	1
4 SDP.1082.8".XX.XXX.XXXX.X	203.2mm (8")	Bronze	8	4	7	1.14	1
5 SDP.1082.12".XX.XXX.XXXX.X	304.8mm (12")	Bronze	12	6	11	1.38	1
6 SDP.1082.18".XX.XXX.XXXX.X	457.2mm (18")	Bronze	18	9	17	1.5	1
7 SDP.1082.8".XX.XXX.XXXX.X	203.2mm (8")	Leopard Hammered over Brass	8	4	7	1.14	1
8 SDP.1082.12".XX.XXX.XXXX.X	304.8mm (12")	Leopard Hammered over Brass	12	6	11	1.38	1
9 SDP.1082.18".XX.XXX.XXXX.X	457.2mm (18")	Leopard Hammered over Brass	18	9	17	1.5	1

"XX" in item code denotes Finish ID.

"XXX" in item code denotes Door Thickness.

"XXXX" in item code denotes Door Material.

"X" in item code denotes Front Fix or Back Fix.

This product is Supplied with Mounting Kit including with the Order.

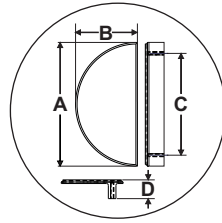


FIG. 1

## How to Order

**SDP.1082.8".13.GLASS.1".BF**

SIDE BY SIDE SURFACE MOUNT DOOR PULL ———— BF : BACK FIX  
 STYLE : BELGIAN SIDE BY SIDE ————  
 SIZE : OAL 8 INCH ———— FINISH ID : 13 ———— DOOR MATERIAL : GLASS  
 DOOR THICKNESS : 1 INCH

## Belgian Side By Side Surface Mount Door Pull Finish Options

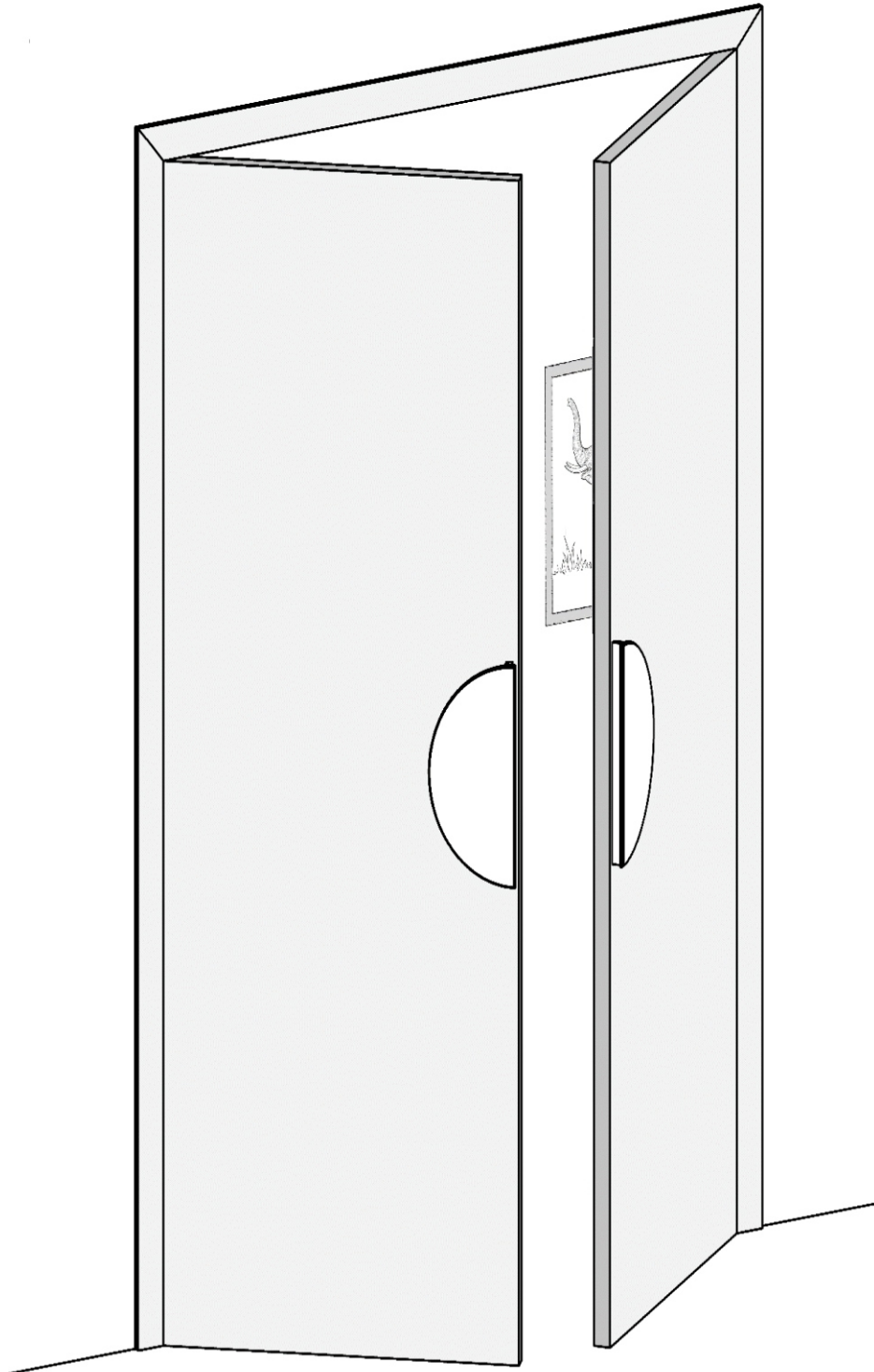
Base Material : Brass	Standard Finishes (2-3 Weeks Delivery)
<div style="display: flex; justify-content: space-around; align-items: center;"> <div style="text-align: center;">                       Brush Nickel (Finish ID:3)                 </div> <div style="text-align: center;">                       Aged Brass (Finish ID:4)                 </div> <div style="text-align: center;">                       Unlacquered Polished Brass (Finish ID:7U)                 </div> <div style="text-align: center;">                       Polished Nickel (Finish ID:8)                 </div> <div style="text-align: center;">                       Satin Brass (Finish ID:13)                 </div> </div>	
Base Material : Brass	Custom Finishes (3-4 Weeks Delivery)*
<div style="display: flex; flex-wrap: wrap; justify-content: space-around;"> <div style="text-align: center; width: 15%;">                       Matte Black (Finish ID:19)                 </div> <div style="text-align: center; width: 15%;">                       Graphite (Finish ID:61)                 </div> <div style="text-align: center; width: 15%;">                       Titanium (Finish ID:79)                 </div> <div style="text-align: center; width: 15%;">                       Ombre (Finish ID:92)                 </div> <div style="text-align: center; width: 15%;">                       Brush Chrome (Finish ID:95)                 </div> <div style="text-align: center; width: 15%;">                       Leopard Hammered over Brush Nickel (Finish ID:99-3)                 </div> <div style="text-align: center; width: 15%;">                       Leopard Hammered over Aged Brass (Finish ID:99-4)                 </div> </div> <div style="display: flex; flex-wrap: wrap; justify-content: space-around; margin-top: 10px;"> <div style="text-align: center; width: 15%;">                       Leopard Hammered over Polished Nickel (Finish ID:99-8)                 </div> <div style="text-align: center; width: 15%;">                       Leopard Hammered over Satin Brass (Finish ID:99-13)                 </div> </div>	
Base Material : Bronze	Custom Finishes (3-4 Weeks Delivery)*
<div style="display: flex; justify-content: space-around; align-items: center;"> <div style="text-align: center;">                       Silicon Bronze Light (Finish ID:53)                 </div> <div style="text-align: center;">                       Silicon Bronze Dark (Finish ID:53D)                 </div> <div style="text-align: center;">                       White Bronze (Finish ID:54)                 </div> </div>	

- Custom finishes cannot be returned or refunded. We are unable to accept cancellations for custom finish order unless within 48 hours of the order being placed.
- We have uniform pricing for all non-hammered finishes listed above as long as base material and size is same.
- Contact us for customized finishes, refer pages F1, F2, F3 & F4 for finish glossary.

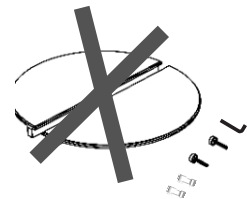
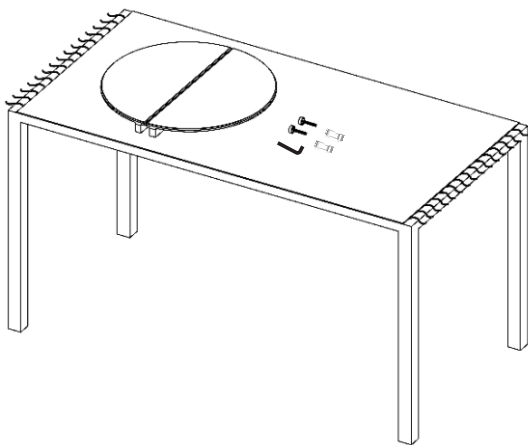
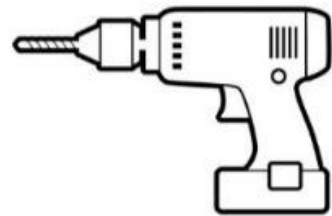
Front Fix (FF)	
Door Material	Door Thickness
1. Wood	1", 1 1/4", 1 1/2", 1 3/4", 2", 2 1/4", 2 1/2"
2. Metal	1", 1 1/4", 1 1/2", 1 3/4", 2", 2 1/4", 2 1/2"
Back Fix (BF)	
Door Material	Door Thickness
1. Wood	5/16", 3/8", 1/2", 3/4", 1", 1 1/4", 1 1/2", 1 3/4", 2", 2 1/4", 2 1/2"
2. Metal	5/16", 3/8", 1/2", 3/4", 1", 1 1/4", 1 1/2", 1 3/4", 2", 2 1/4", 2 1/2"
3. Glass	5/16", 3/8", 1/2", 3/4", 1"

- Custom finishes cannot be returned or refunded. We are unable to accept cancellations for custom finish order unless within 48 hours of the order being placed.
- We have uniform pricing for all non-hammered finishes listed above as long as base material and size is same.
- Contact us for customized finishes, refer pages F1, F2, F3 & F4 for finish glossary.

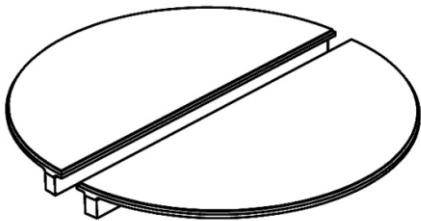
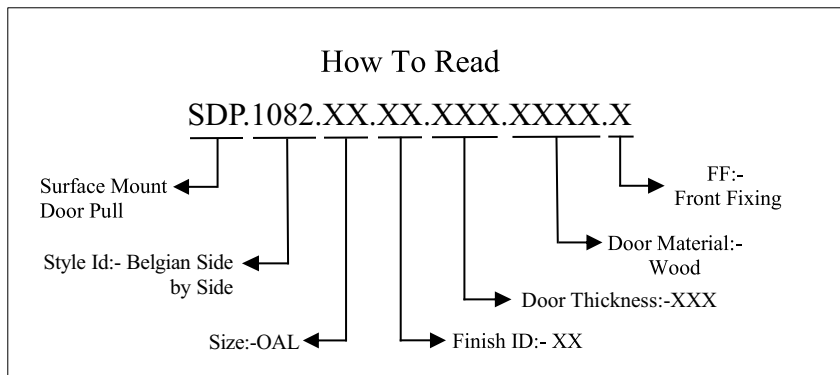
**SURFACE MOUNT FRONT FIXING  
HANDLE ILLUSTRATED**



Required Tools



Step Wise Packing List			
S. No.	Part Number	Qty.	Steps
1	SDP.1082.XX.XX.XXX.XXXX.X	1x	1
2	SDP.FFPIN	2x	3
3	WSSCSKPFH.XX	2x	3
4	LNKY. 2.5	1x	4
5	Manual	1x	-



SDP.1082.XX.XX.XXX.XXXX.X



SDP.FFPIN

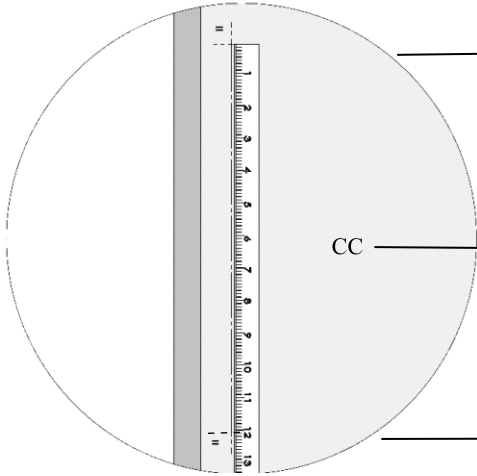
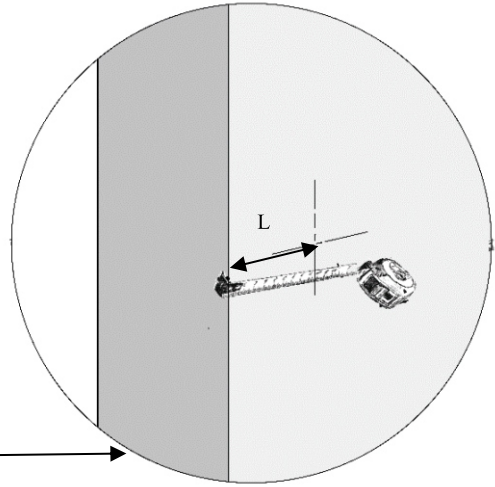
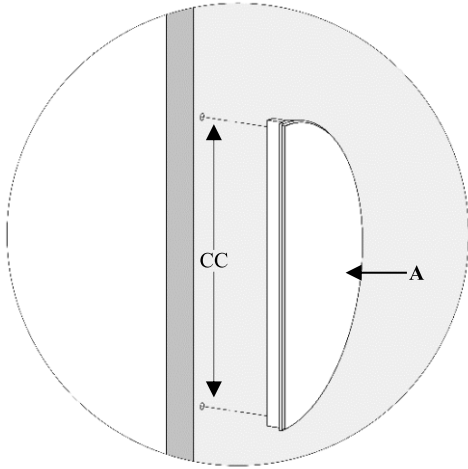


WSSCSKPFH.XX



LNKY. 2.5

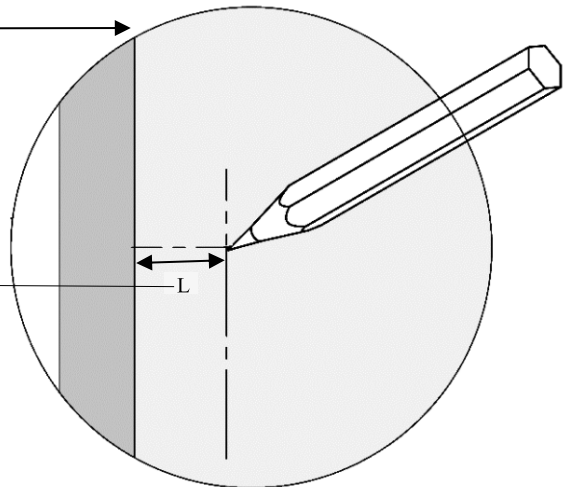
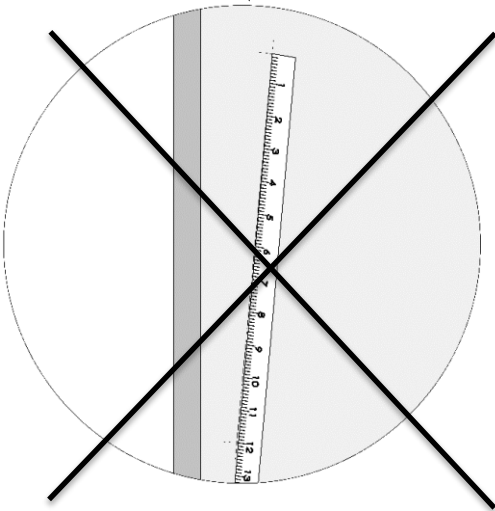
STEP-1



**SDP.1082.XX.XX.XXX.XXXX.X**

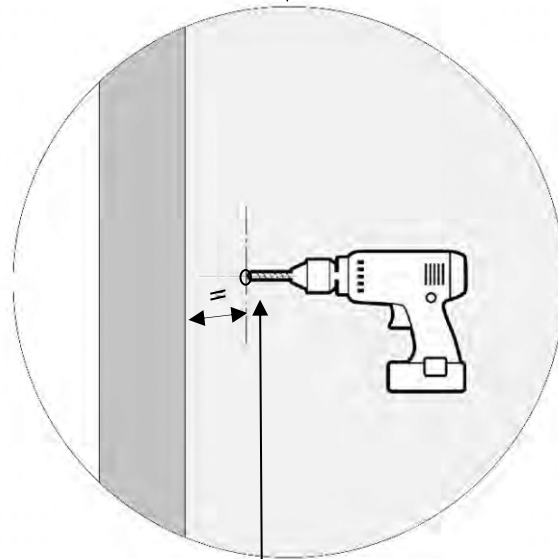
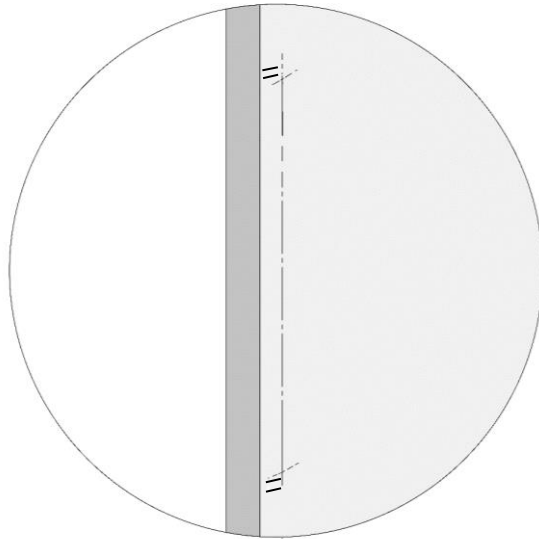
Size:- CC OAL

7"	8"
11"	12"
17"	18"



8"OAL=18mm  
12"OAL=20mm  
18"OAL=22mm

STEP-2

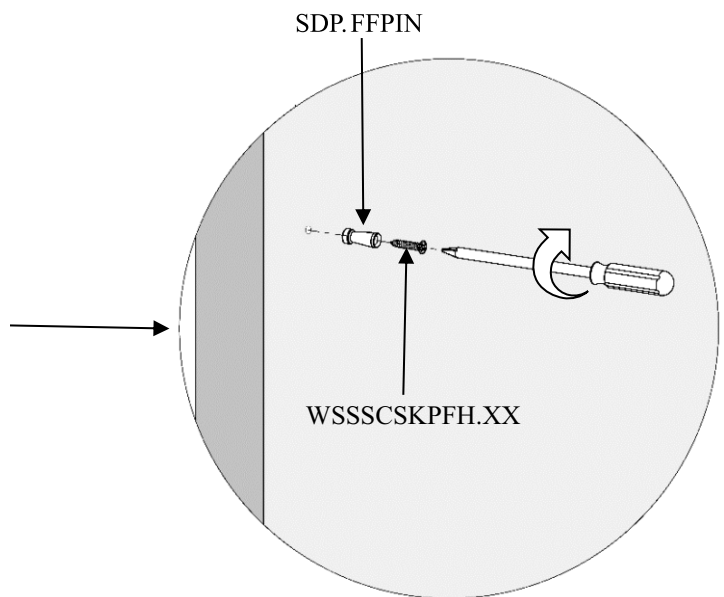
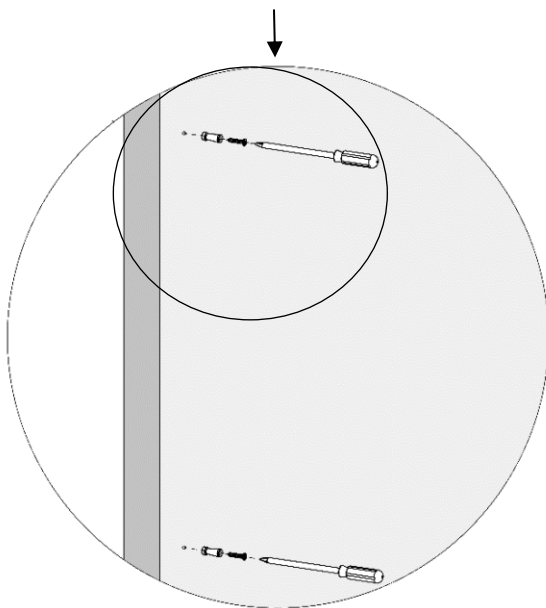
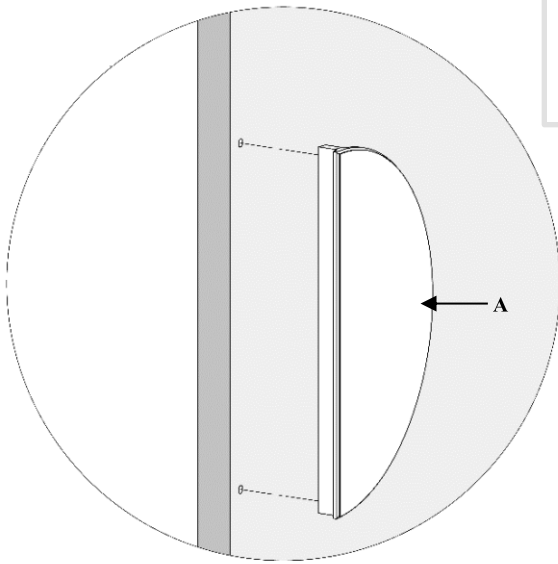
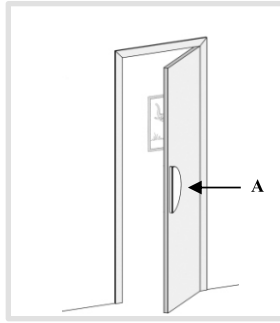


DRILL SIZE			
	Glass	Wood	Metal
SDP FF	N/A	1/10" (2.5mm)	N/A



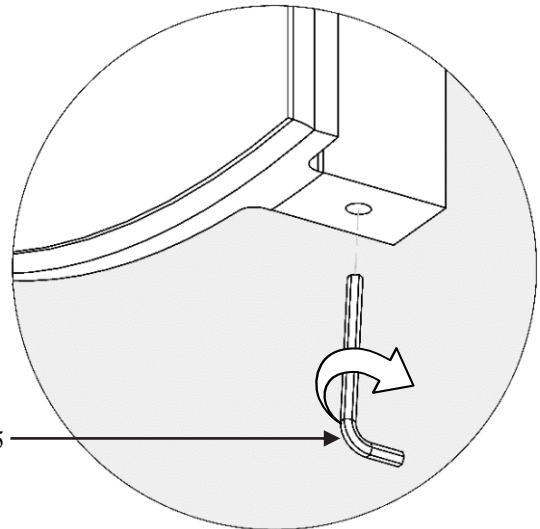
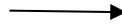
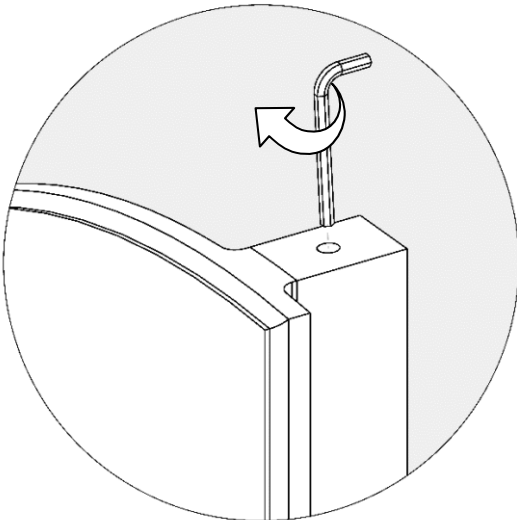
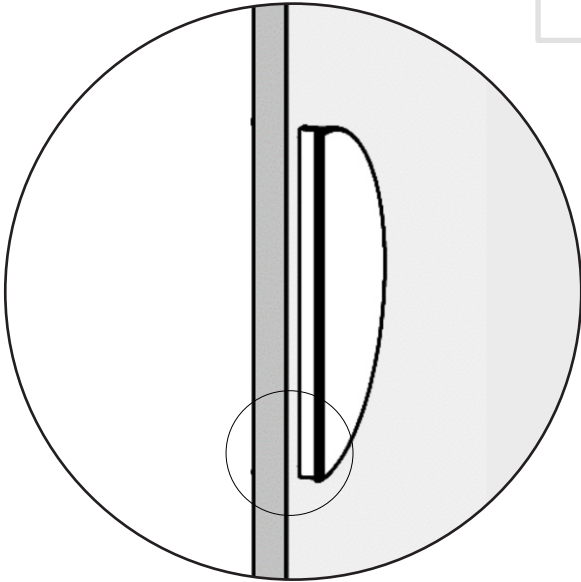
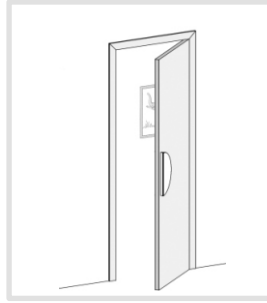
STEP-3

Step Wise Packing List			
S. No.	Part Number	Qty.	Steps
2	SDP.FFPIN	2x	3
3	WSSSCSKPFH.XX	2x	3

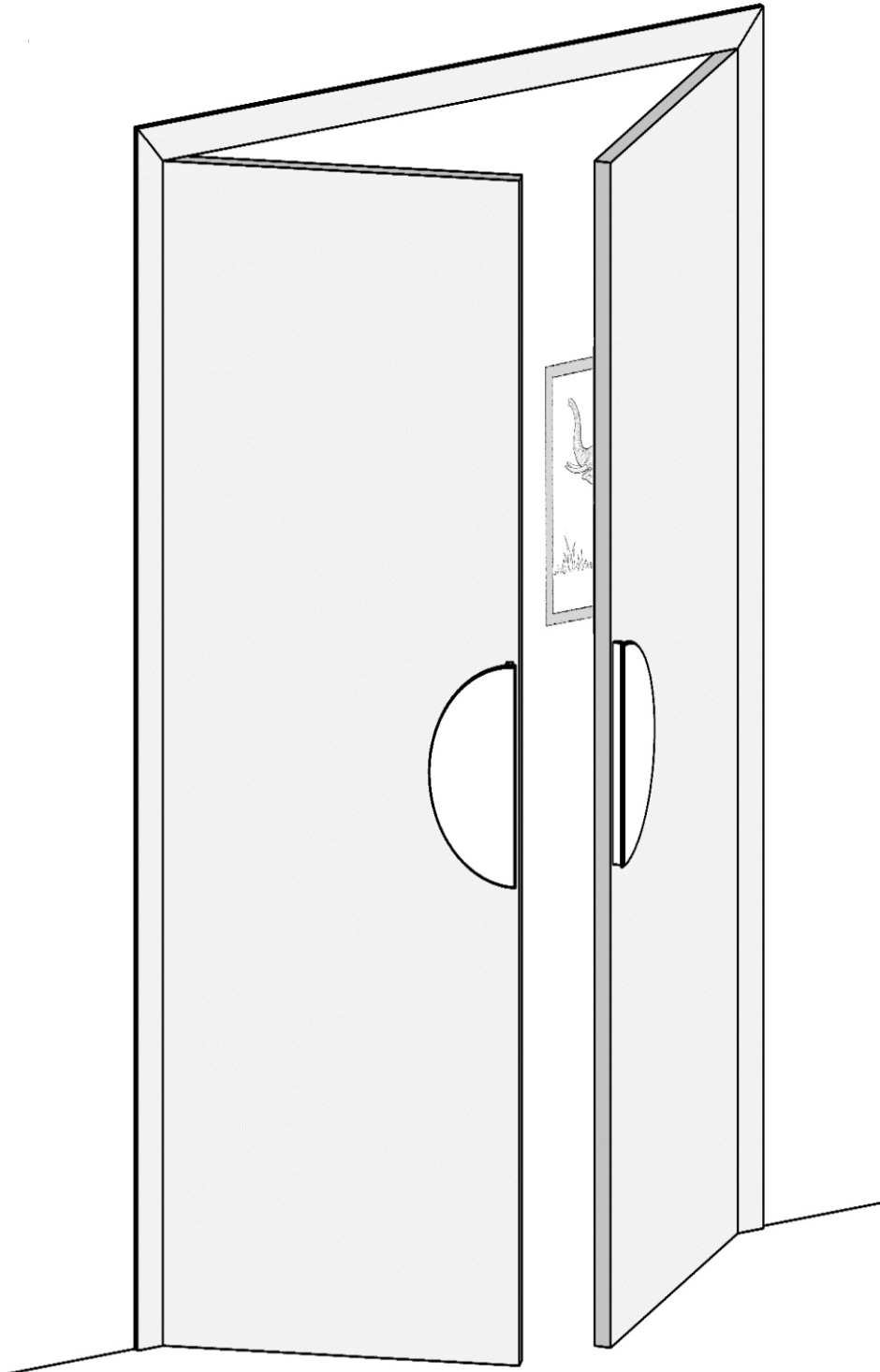


STEP-4

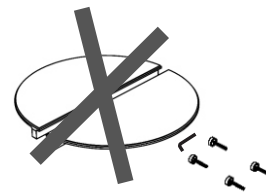
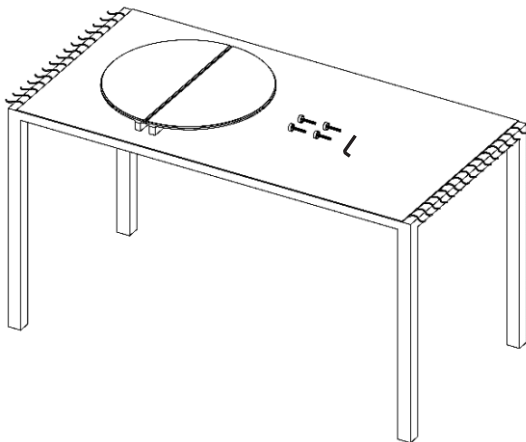
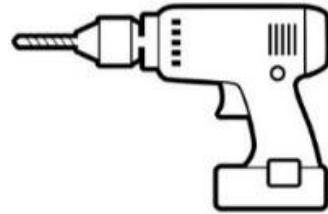
Step Wise Packing List			
S. No.	Part Number	Qty.	Steps
4	LNKY. 2.5	1x	4x



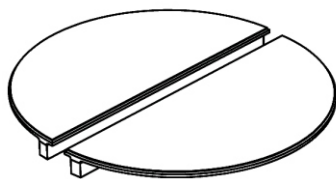
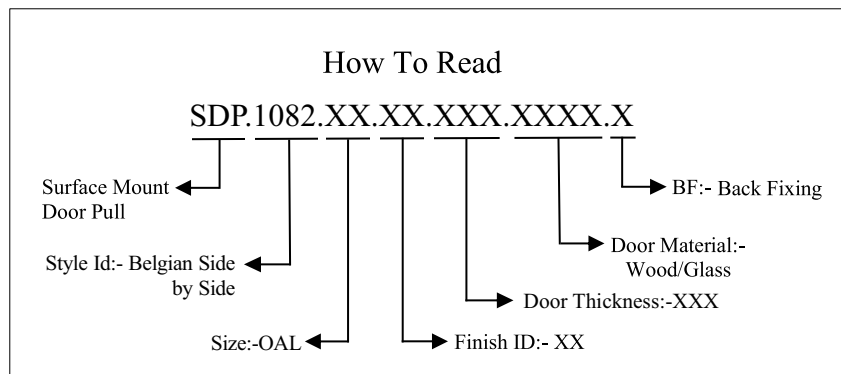
**SURFACE MOUNT BACK FIXING  
SIDE BY SIDE HANDLE ILLUSTRATED**



Required Tools



Step Wise Packing List			
S.No.	Part Number	Qty	Steps
1	SDP.1082.XX.XX.XXX.XXXX.X	1x	1
2	MSCCSKPH.XX	4x	3
3	SDP.BUSH	4x	3
4	LNKY.4	1x	3
5	SDP.CAP	4x	4
6	Manual	1x	-



SDP.1082.XX.XX.XXX.XXXX.X



MSCCSKPH.XX



SDP.BUSH

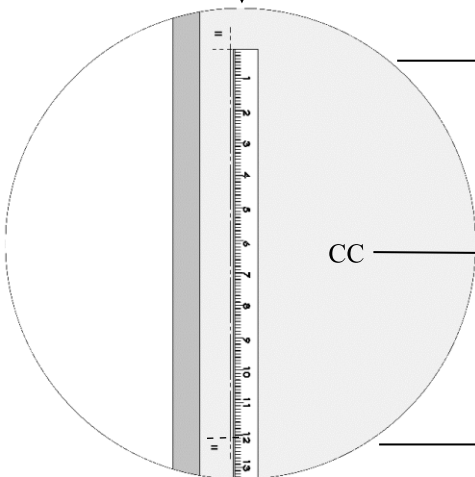
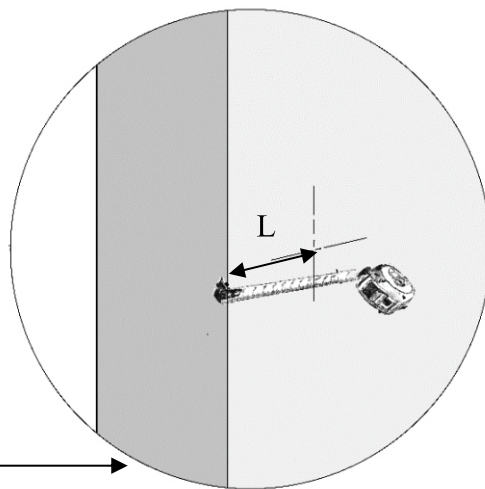
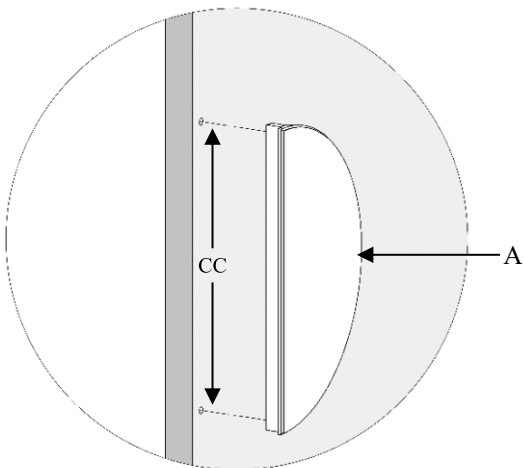


LNKY.4



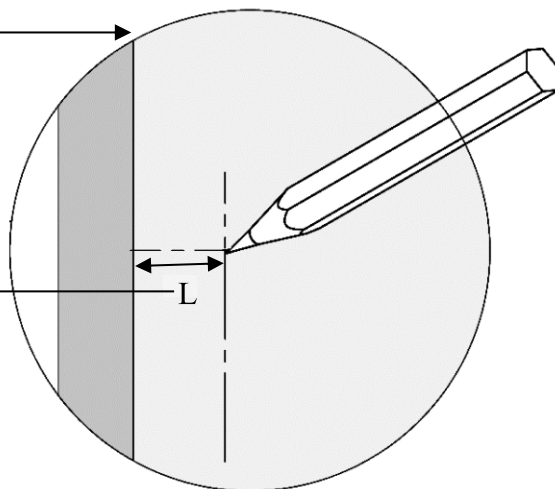
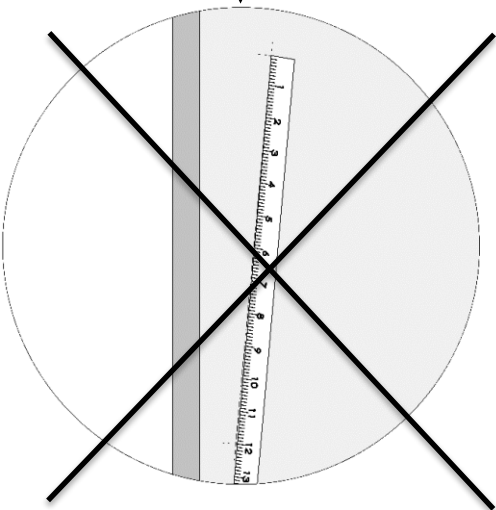
SDP.CAP

STEP-1



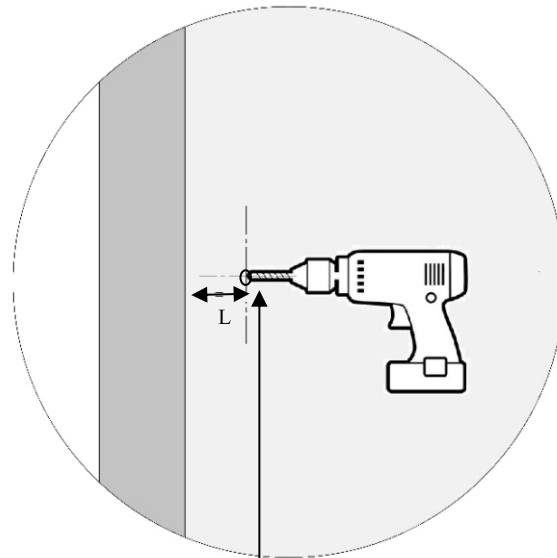
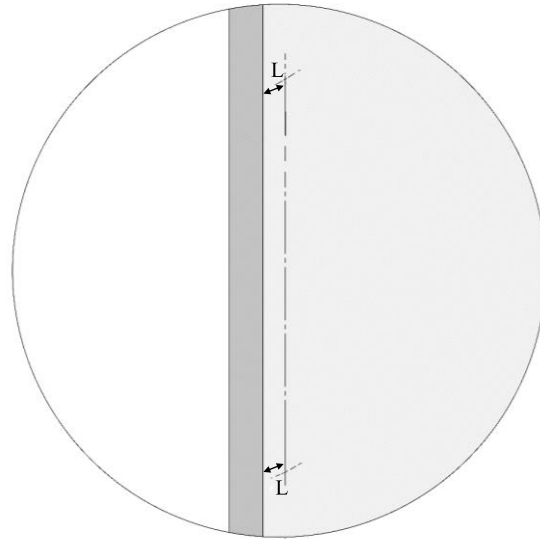
SDP.1082.XX.XX.XXX.XXXX.X

Size:- CC OAL  
 ↓ ↓  
 7" 8"  
 11" 12"  
 17" 18"



L ↓  
 8"OAL=18mm  
 12"OAL=20mm  
 18"OAL=22mm

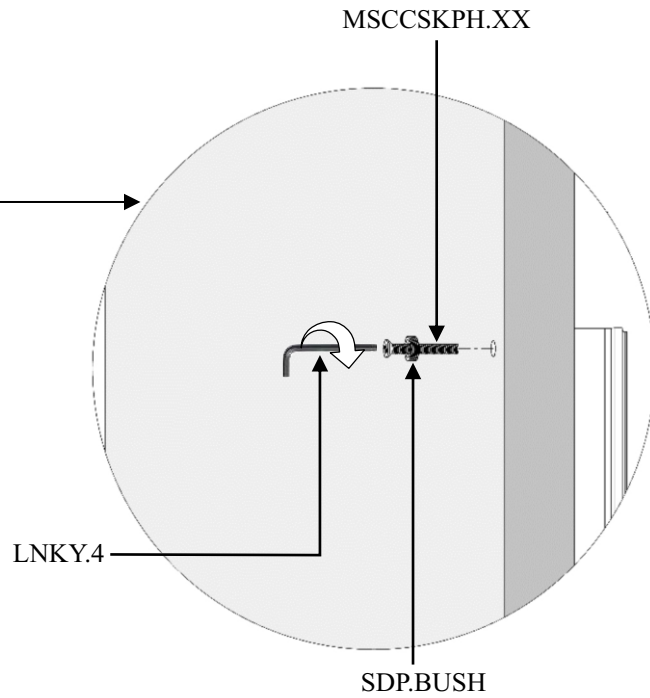
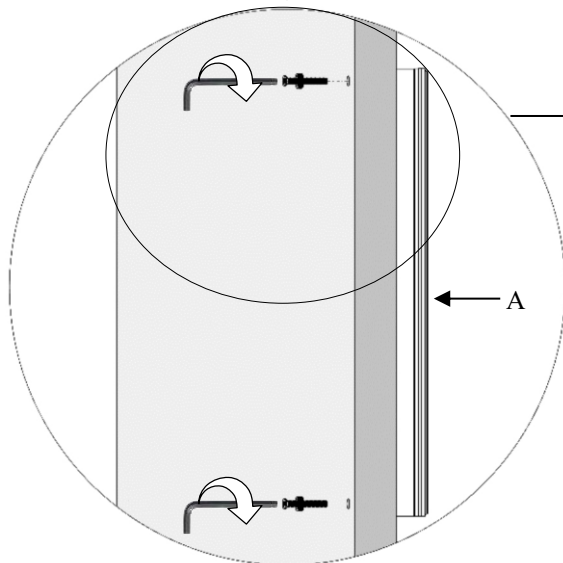
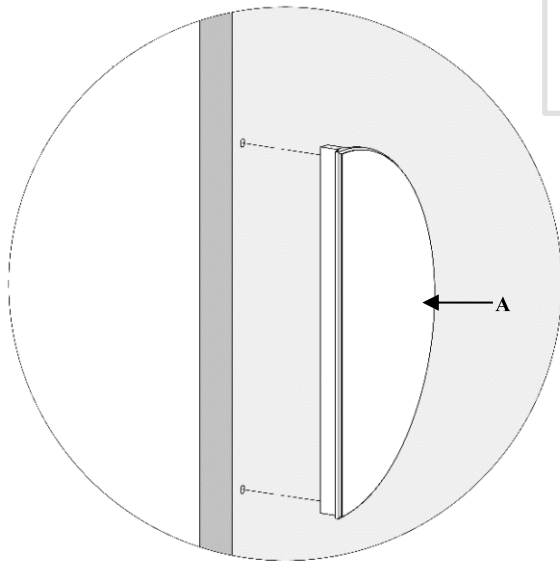
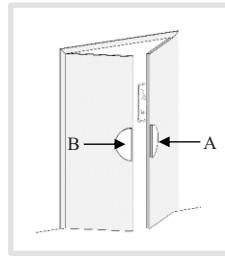
STEP-2



DRILL SIZE			
	Glass	Wood	Metal
<b>SDP BF</b>	3/8" (9.5mm)	1/4" (6.4mm)	1/4" (6.4mm)

STEP-3

Step Wise Packing List			
S.No.	Part Number	Qty	Steps
2	MSCCSKPH.XX	4x	3
3	SDP.BUSH	4x	3
4	LNKY.4	1x	3





STEP-4

Step Wise Packing List			
S.No.	Part Number	Qty	Steps
5	SDP.CAP	4x	4

