

Satin Brass (Finish ID:13)

## VENDOME SURFACE MOUNT SINGLE SIDED DOOR PULL

	Item Code	Size (mm & Inches)	Material	Size (Inches)				Fig.
				A	B	C	D	
1	SDP.1058.8".XX.XXX.XXXX.X	203.2mm (8")	Brass	8	3.96	7	1.73	1
2	SDP.1058.12".XX.XXX.XXXX.X	304.8mm (12")	Brass	12	5.96	11	2.15	1
3	SDP.1058.16".XX.XXX.XXXX.X	406.4mm (16")	Brass	16	8	14.5	2.72	1
4	SDP.1058.18".XX.XXX.XXXX	457.2mm (18")	Brass	18	9	16.5	2.72	1

"XX" in item code denotes Finish ID.

"XXX" in item code denotes Door Thickness.

"XXXX" in item code denotes Door Material.

"X" in item code denotes Front Fix or Back Fix.

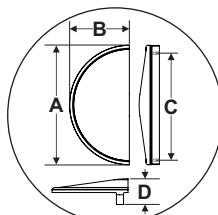
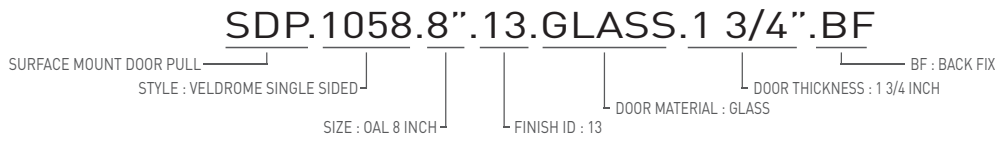


FIG. 1

This product is Supplied with Mounting Kit including with the Order.

## How to Order



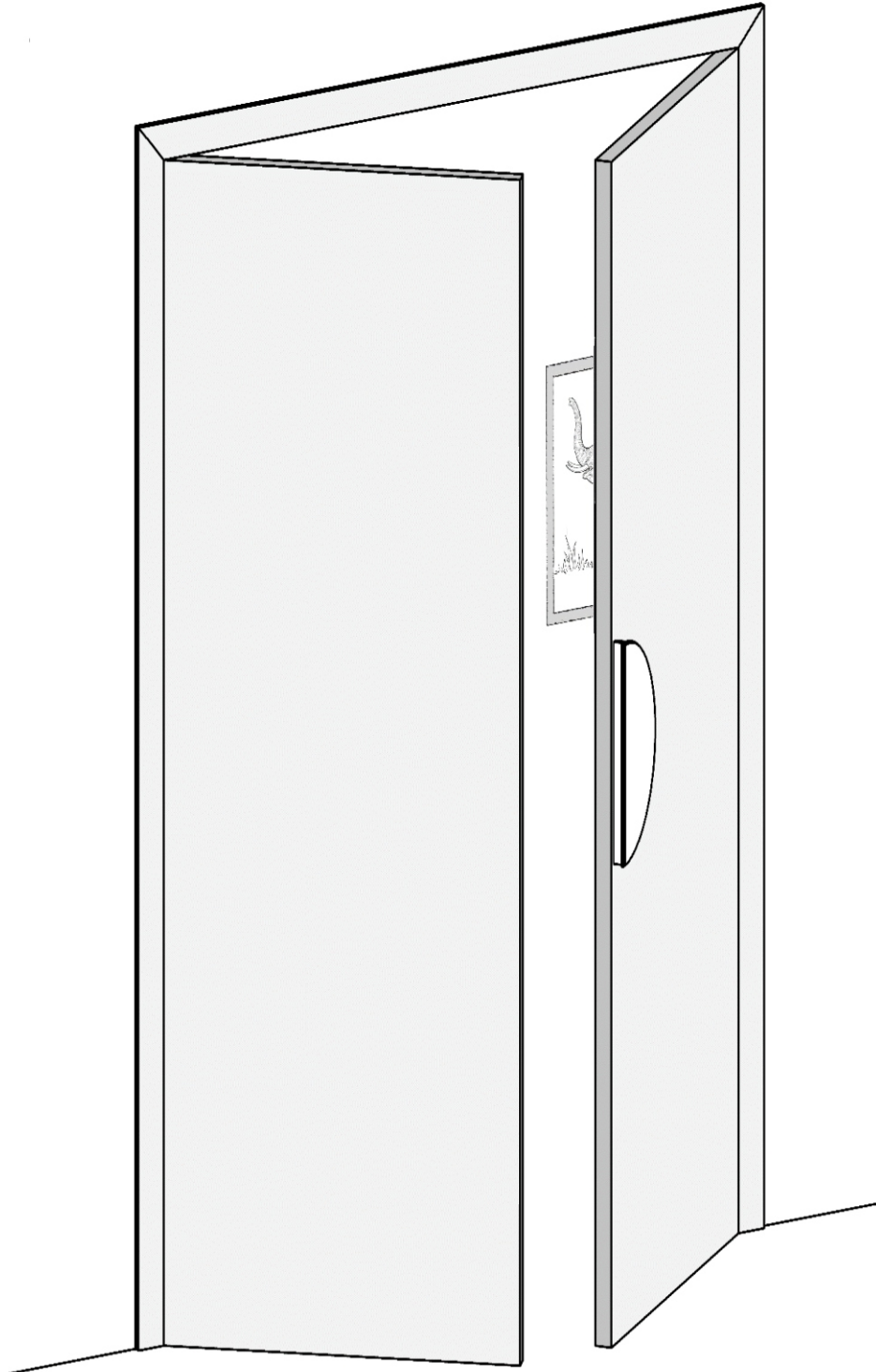
## Vendome Surface Mount Single Sided Door Pull Finish Options

Base Material : Brass	Standard Finishes (2-3 Weeks Delivery)
	
Base Material : Brass	Custom Finishes (3-4 Weeks Delivery)*
	
Base Material : Bronze	Custom Finishes (3-4 Weeks Delivery)*
	

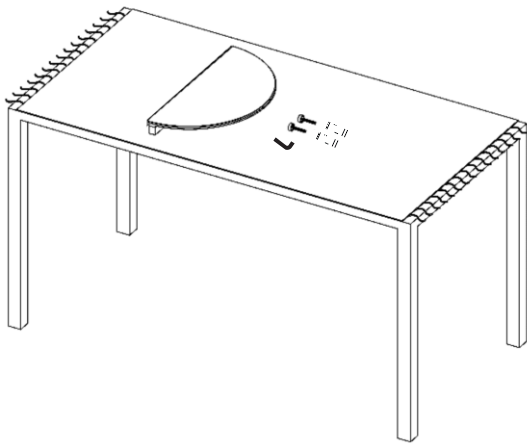
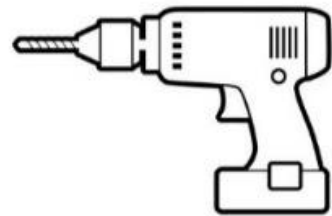
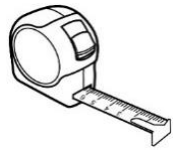
<b>Front Fix (FF)</b>	
Door Material	Door Thickness
1. Wood	1", 1 1/4", 1 1/2", 1 3/4", 2", 2 1/4", 2 1/2"
2. Metal	1", 1 1/4", 1 1/2", 1 3/4", 2", 2 1/4", 2 1/2"
<b>Back Fix (BF)</b>	
Door Material	Door Thickness
1. Wood	5/16", 3/8", 1/2", 3/4", 1", 1 1/4", 1 1/2", 1 3/4", 2", 2 1/4", 2 1/2"
2. Metal	5/16", 3/8", 1/2", 3/4", 1", 1 1/4", 1 1/2", 1 3/4", 2", 2 1/4", 2 1/2"
3. Glass	5/16", 3/8", 1/2", 3/4", 1"

- Custom finishes cannot be returned or refunded. We are unable to accept cancellations for custom finish order unless within 48 hours of the order being placed.
- We have uniform pricing for all non-hammered finishes listed above as long as base material and size is same.
- Contact us for customized finishes, refer pages F1, F2, F3 & F4 for finish glossary.

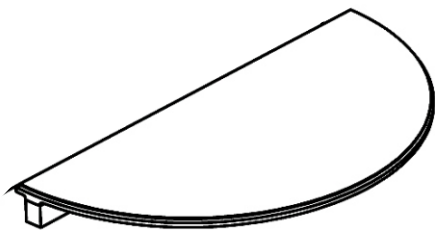
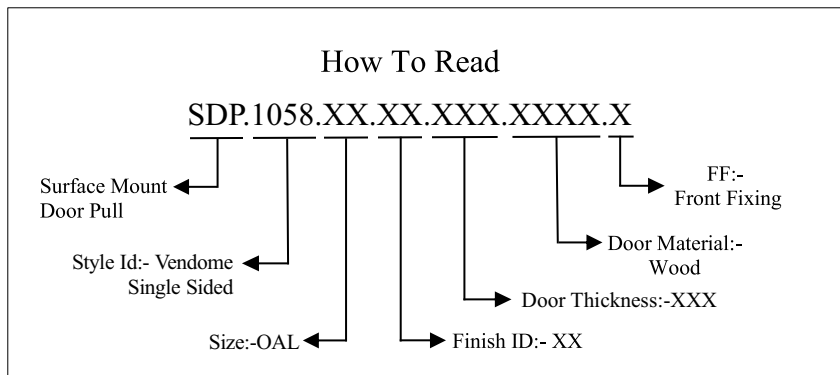
**SURFACE MOUNT FRONT FIXING  
HANDLE ILLUSTRATED**



Required Tools



Step Wise Packing List			
S. No.	Part Number	Qty.	Steps
1	SDP.1058.XX.XX.XXX.XXXX.X	1x	1
2	SDP.FFPIN	2x	3
3	WSSCSKPFH.XX	2x	3
4	LNKY. 2.5	1x	4
5	Manual	1x	-



SDP.1058.XX.XX.XXX.XXXX.X



SDP.FFPIN

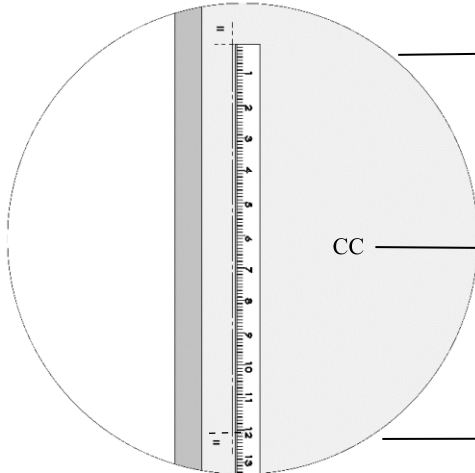
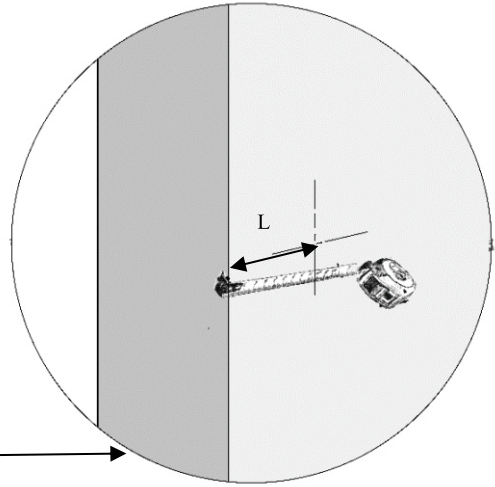
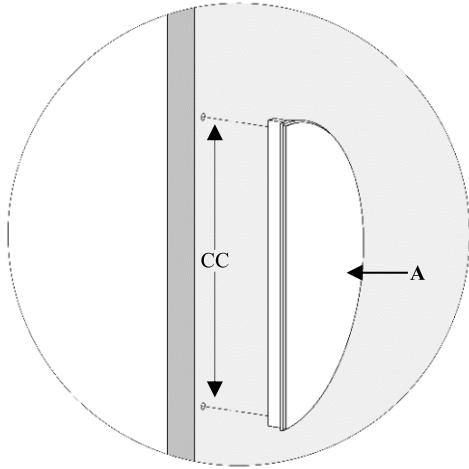


WSSCSKPFH.XX



LNKY. 2.5

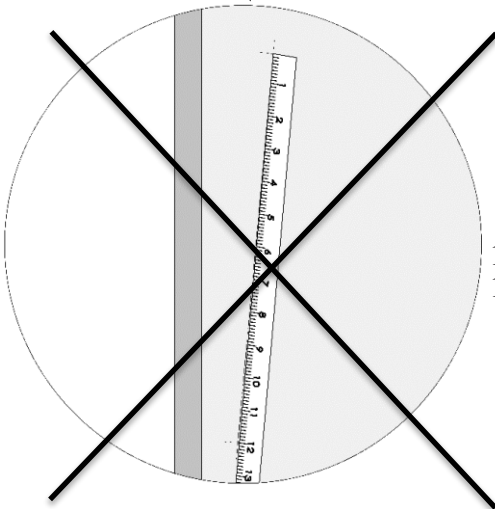
STEP-1



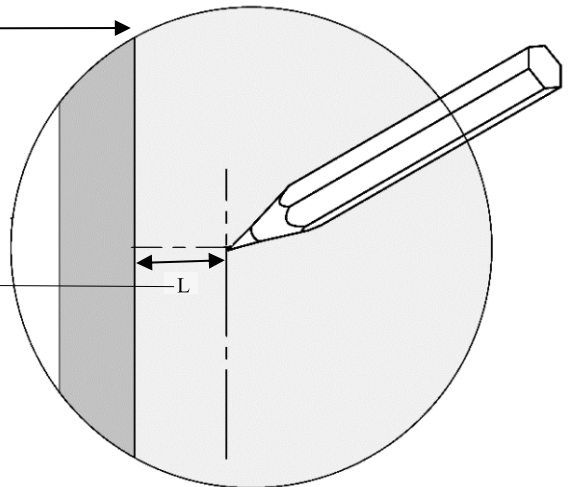
SDP.1058.XX.XX.XXX.XXXX.X

Size:- CC OAL

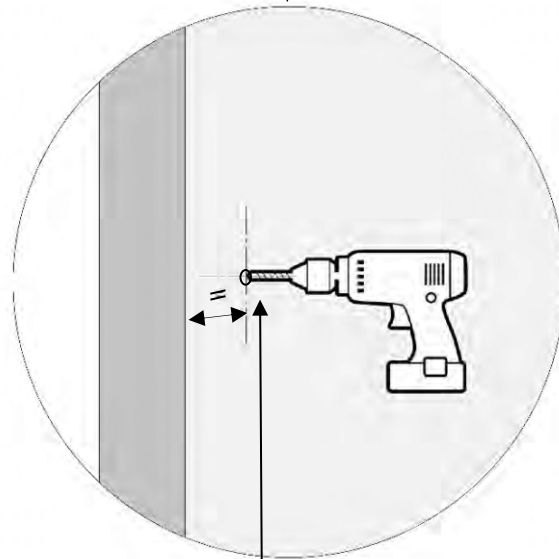
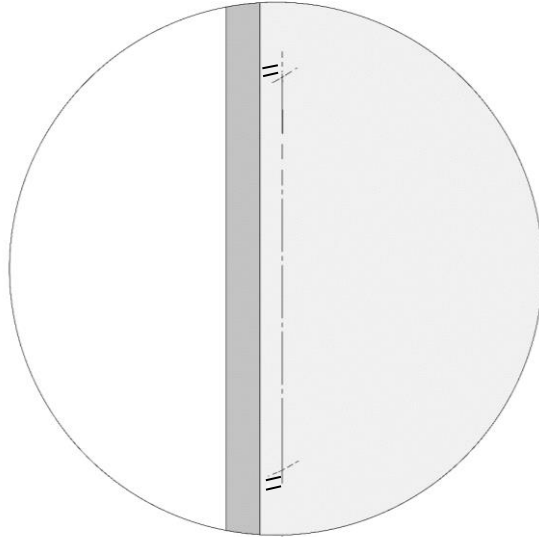
7"	8"
11"	12"
14.5"	16"



8" OAL = 20mm  
12" OAL = 20mm  
18" OAL = 25mm



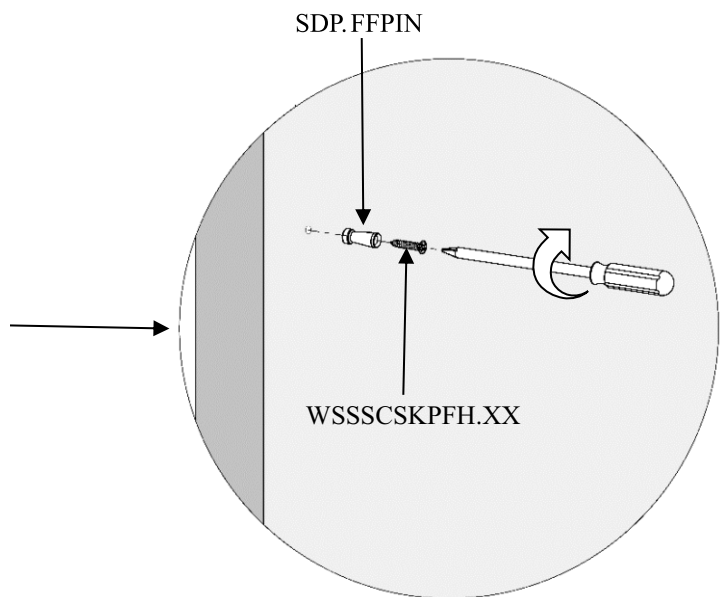
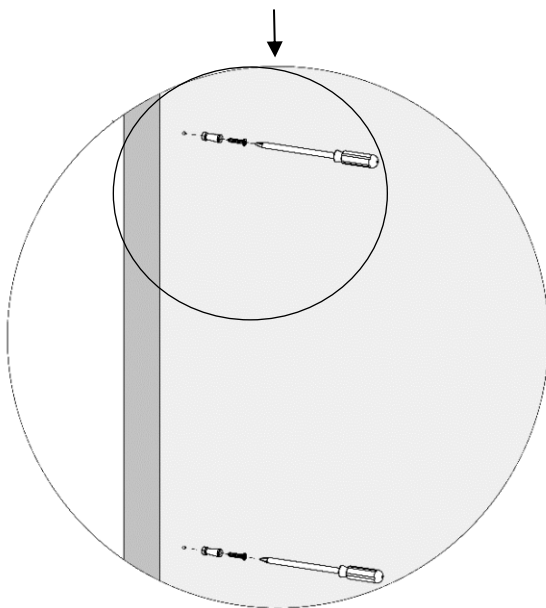
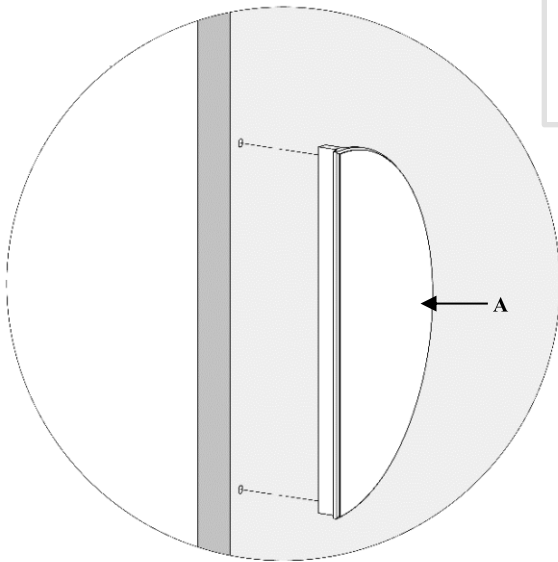
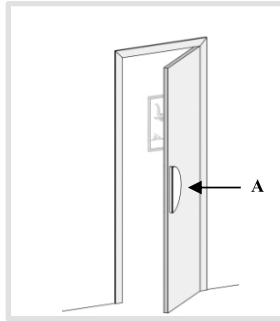
STEP-2



DRILL SIZE			
	Glass	Wood	Metal
SDP FF	N/A	1/10" (2.5mm)	N/A

STEP-3

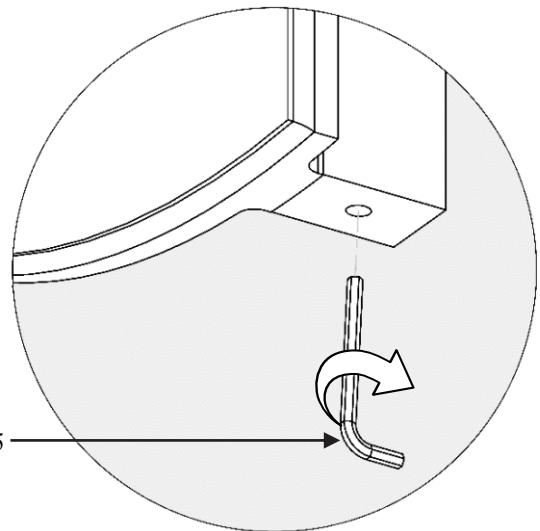
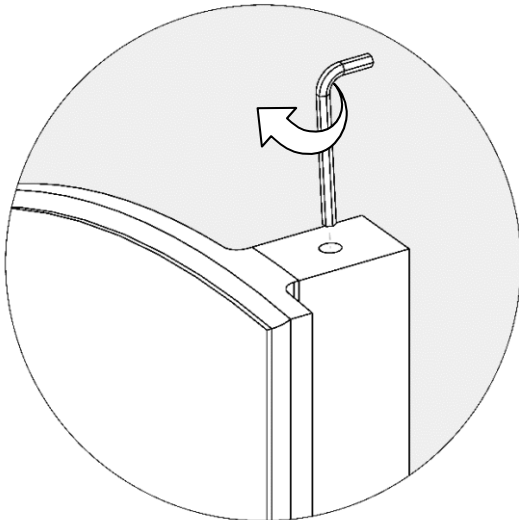
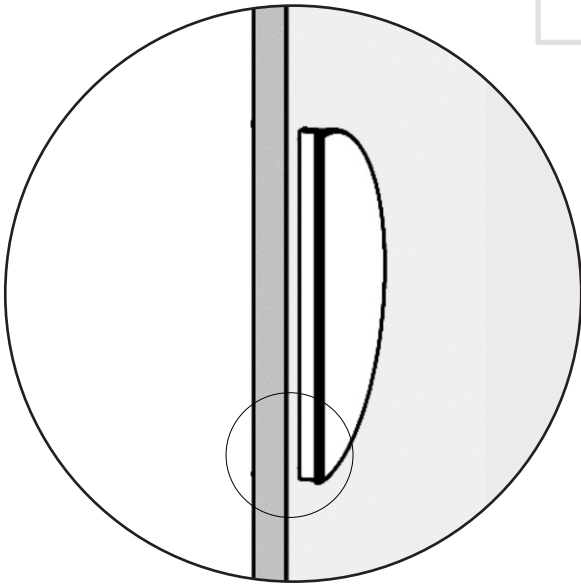
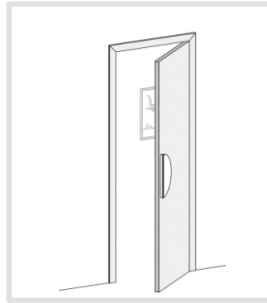
Step Wise Packing List			
S. No.	Part Number	Qty.	Steps
2	SDP.FFPIN	2x	3
3	WSSSCSKPFH.XX	2x	3



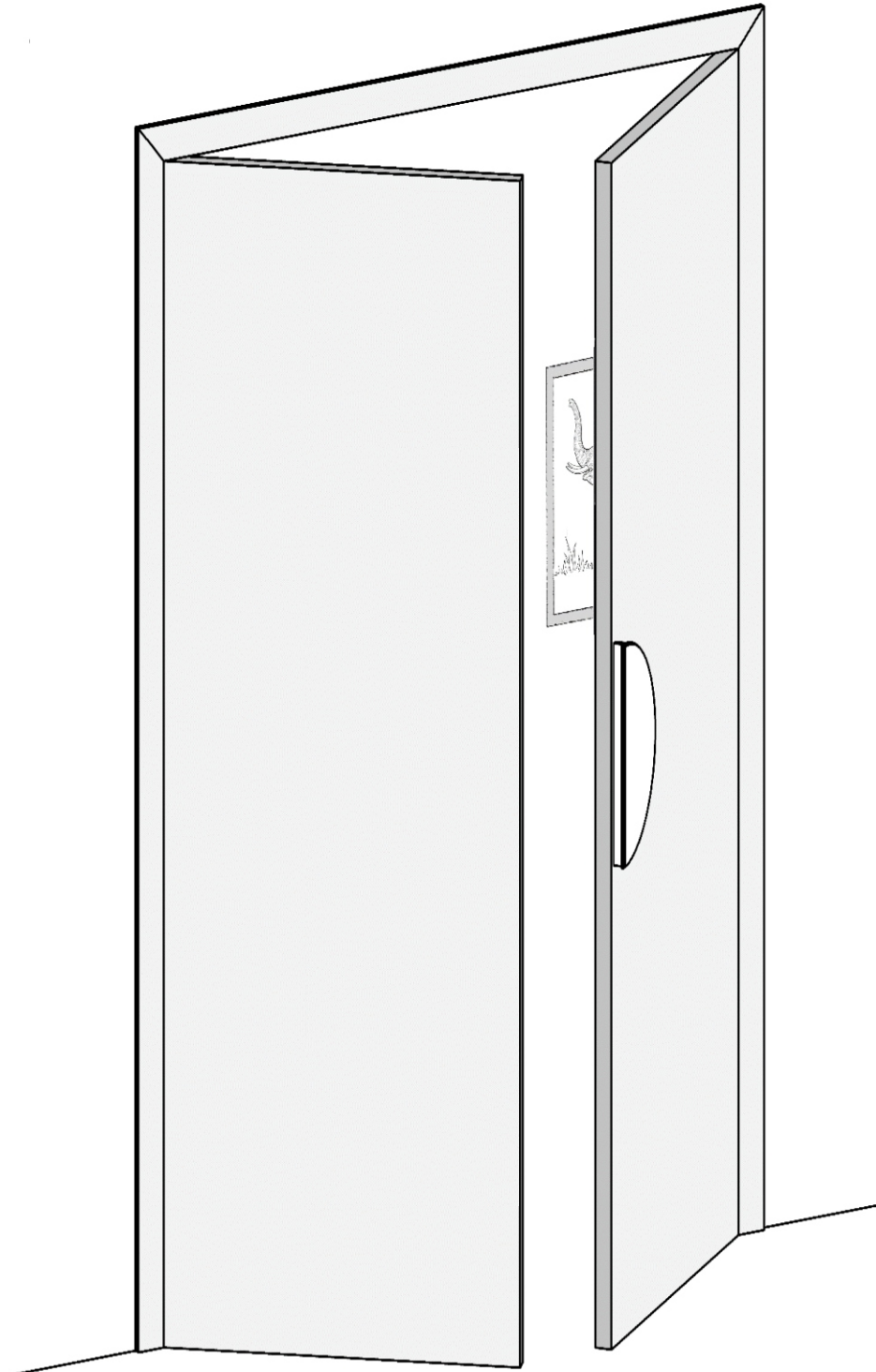


STEP-4

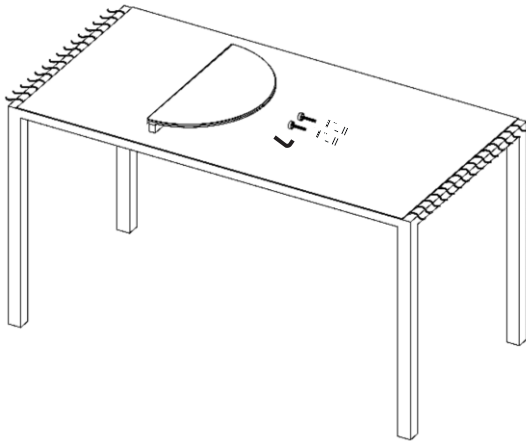
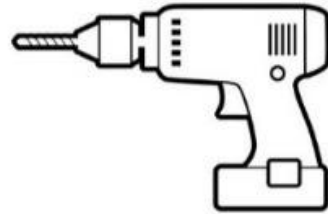
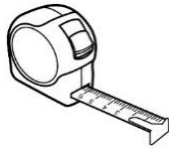
Step Wise Packing List			
S. No.	Part Number	Qty.	Steps
4	LNKY. 2.5	1x	4x



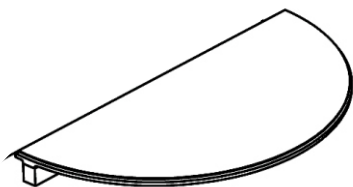
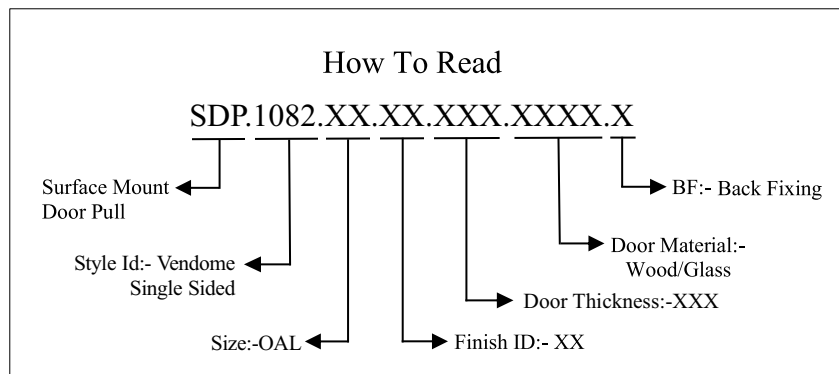
**SURFACE MOUNT BACK FIXING  
SIDE BY SIDE HANDLE ILLUSTRATED**



Required Tools



Step Wise Packing List			
S.No.	Part Number	Qty	Steps
1	SDP.1058.XX.XX.XXX.XXXX.X	1x	1
2	MSCCSKPH.XX	4x	3
3	SDP.BUSH	4x	3
4	LNKY.4	1x	3
5	SDP.CAP	4x	4
6	Manual	1x	-



SDP.1058.XX.XX.XXX.XXXX.X



MSCCSKPH.XX



SDP.BUSH

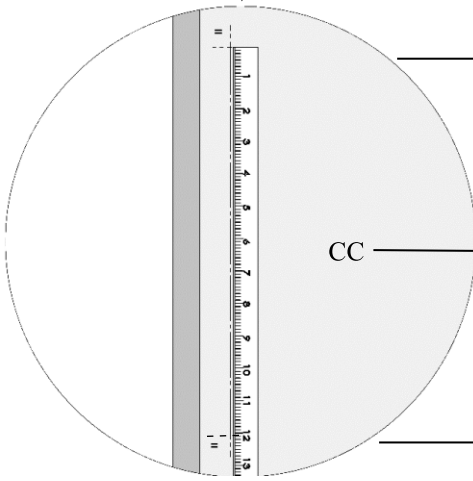
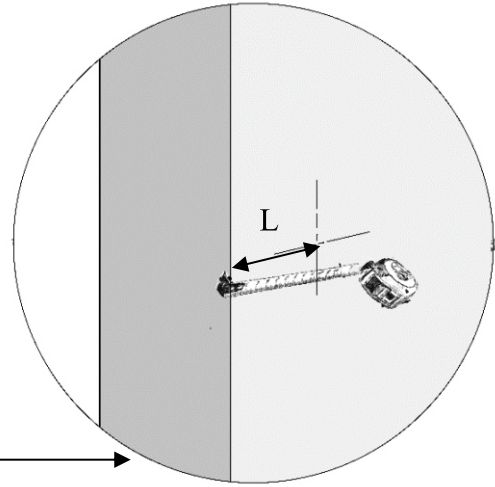
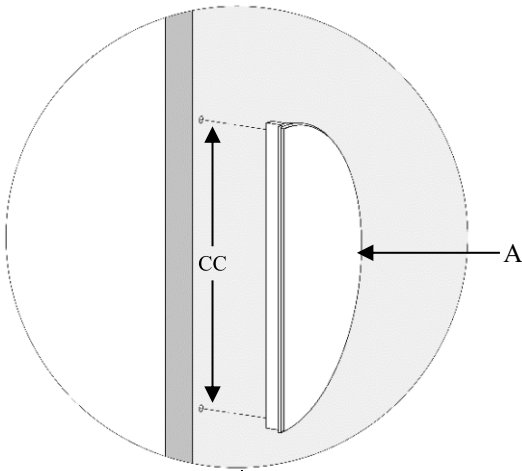


LNKY.4



SDP.CAP

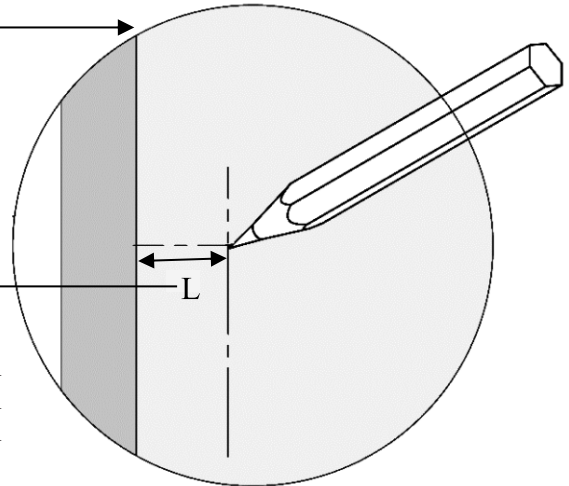
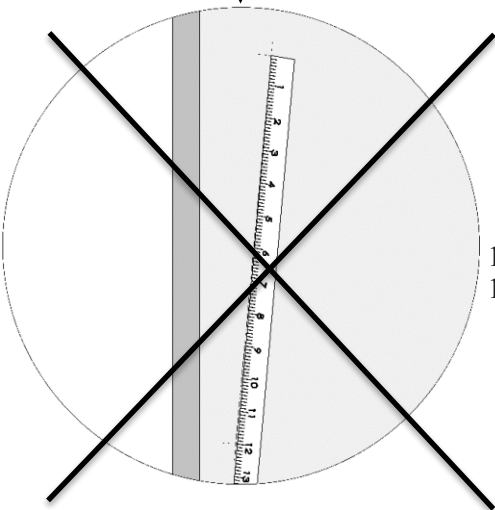
STEP-1



SDP.1058.XX.XX.XXXX.XXXX.X

Size:- CC OAL

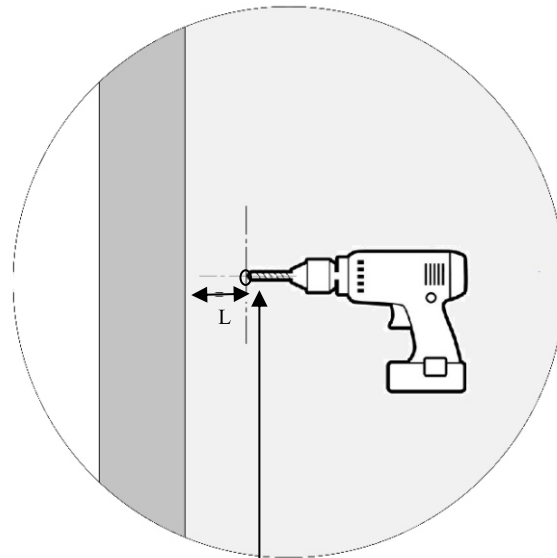
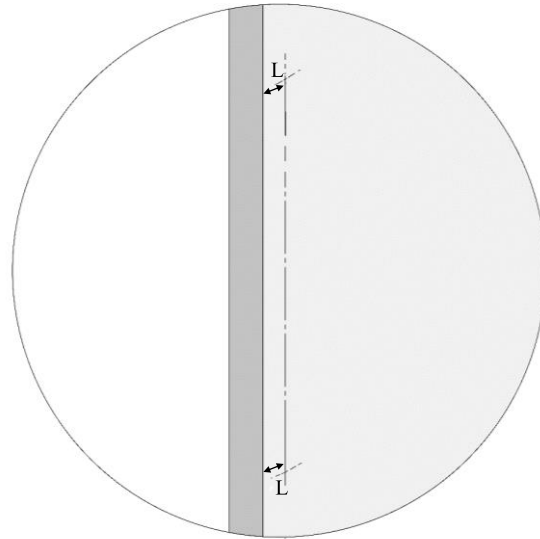
7"	8"
11"	12"
14.5"	16"



L

8" OAL = 20mm
12" OAL = 20mm
18" OAL = 25mm

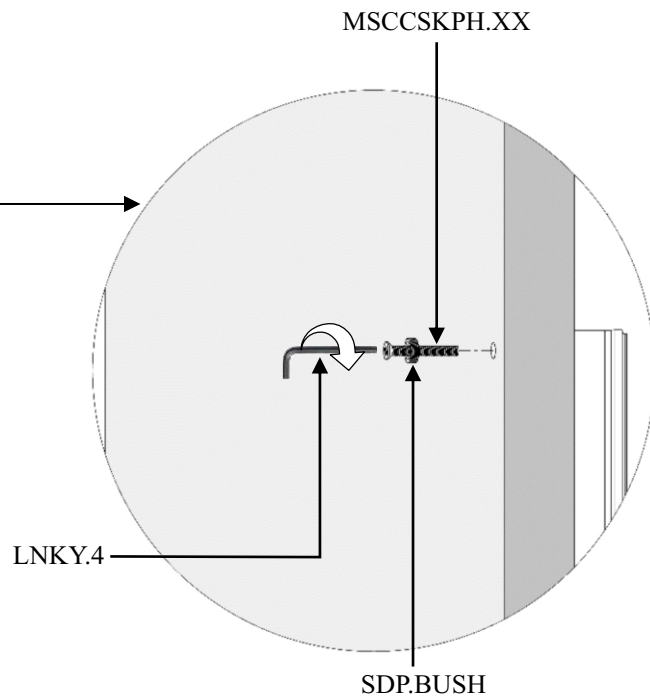
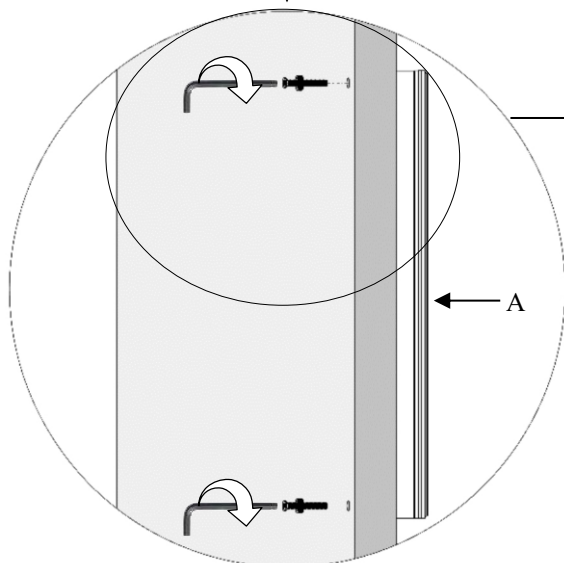
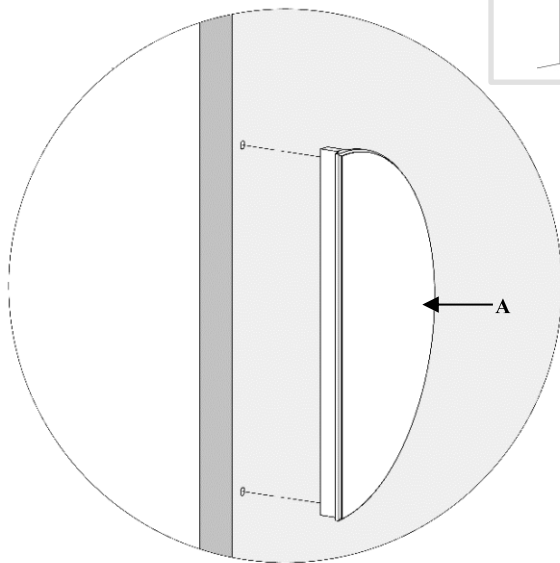
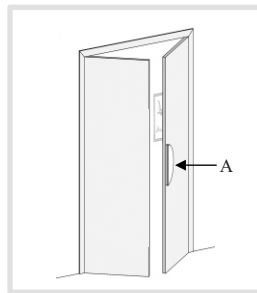
STEP-2



DRILL SIZE			
	Glass	Wood	Metal
<b>SDP BF</b>	3/8" (9.5mm)	1/4" (6.4mm)	1/4" (6.4mm)

STEP-3

Step Wise Packing List			
S.No.	Part Number	Qty	Steps
2	MSCCSKPH.XX	4x	3
3	SDP.BUSH	4x	3
4	LNKY.4	1x	3



STEP-4

Step Wise Packing List			
S.No.	Part Number	Qty	Steps
5	SDP.CAP	4x	4

