



Satin Brass (Finish ID:13)

BELVEDERE SURFACE MOUNT DOOR PULL

	Item Code	Size (mm & Inches)	Material	Size (Inches)				Fig.
				A	B	C	D	
1	SDP.1053.12".XX.XXX.XXXX.X	304.8mm (12")	Brass	13.65	1.06	12	2.28	1
2	SDP.1053.18".XX.XXX.XXXX.X	457.2mm (18")	Brass	19.65	1.06	18	2.28	1
3	SDP.1053.24".XX.XXX.XXXX.X	609.6mm (24")	Brass	25.65	1.06	24	2.28	1
4	SDP.1053.36".XX.XXX.XXXX.X	914.4mm (36")	Brass	37.67	1.06	36	2.28	1
5	SDP.1053.48".XX.XXX.XXXX.X	1219.2mm (48")	Brass	49.67	1.06	48	2.28	1
6	SDP.1053.12".XX.XXX.XXXX.X	304.8mm (12")	Wood over Brass	13.65	1.06	12	2.28	1
7	SDP.1053.18".XX.XXX.XXXX.X	457.2mm (18")	Wood over Brass	19.65	1.06	18	2.28	1

"XX" in item code denotes Finish ID.

"XXX" in item code denotes Door Thickness.

"XXXX" in item code denotes Door Material.

"X" in item code denotes Front Fix or Back Fix.

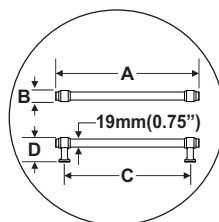
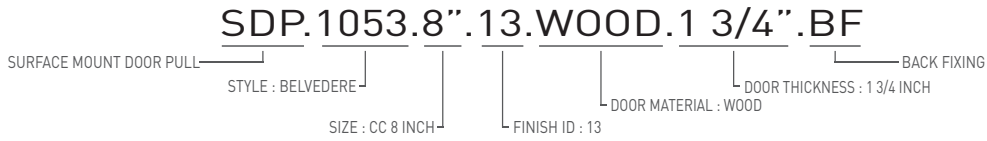


FIG. 1

This product is Supplied with Based on Front Fix or Back Fix Order.

How to Order



Belvedere Surface Mount Door Pull Finish Options

Base Material : Brass	Standard Finishes (2-3 Weeks Delivery)						
Brush Nickel (Finish ID:3)	Aged Brass (Finish ID:4)	Unlacquered Polished Brass (Finish ID:7U)	Polished Nickel (Finish ID:8)	Satin Brass (Finish ID:13)			
Base Material : Brass	Custom Finishes (3-4 Weeks Delivery)*						
Lacquered Polished Brass (Finish ID:7L)	Matte Black (Finish ID:19)	Split Black and Polished Nickel (Finish ID:48)	Split Black and Satin Brass (Finish ID:49)	Graphite (Finish ID:61)	Split Graphite and Satin Brass (Finish ID:90)	Split Graphite and Aged Brass (Finish ID:93)	
Base Material : Brass/Wood	Custom Finishes (3-4 Weeks Delivery)*						
Walnut Wood and Black (Finish ID:100)	Walnut Wood and Satin Brass (Finish ID:101)	Walnut Wood and Aged Brass (Finish ID:102)	Walnut Wood and Polished Nickel (Finish ID:103)	Walnut Wood and Brushed Nickel (Finish ID:104)	Beech Wood and Black (Finish ID:106)	Beech Wood and Satin Brass (Finish ID:107)	
Beech Wood and Aged Brass (Finish ID:108)	Beech Wood and Polished Nickel (Finish ID:109)	Beech Wood and Brushed Nickel (Finish ID:110)					









- Custom finishes cannot be returned or refunded. We are unable to accept cancellations for custom finish order unless within 48 hours of the order being placed.
- We have uniform pricing for all non-hammered finishes listed above as long as base material and size is same.
- Contact us for customized finishes, refer pages F1, F2, F3 & F4 for finish glossary.

Front Fix (FF)	
Door Material	Door Thickness
1. Wood	1", 1 1/4", 1 1/2", 1 3/4", 2", 2 1/4", 2 1/2"
2. Metal	1", 1 1/4", 1 1/2", 1 3/4", 2", 2 1/4", 2 1/2"
Back Fix (BF)	
Door Material	Door Thickness
1. Wood	5/16", 3/8", 1/2", 3/4", 1", 1 1/4", 1 1/2", 1 3/4", 2", 2 1/4", 2 1/2"
2. Metal	5/16", 3/8", 1/2", 3/4", 1", 1 1/4", 1 1/2", 1 3/4", 2", 2 1/4", 2 1/2"
3. Glass	5/16", 3/8", 1/2", 3/4", 1"

- Custom finishes cannot be returned or refunded. We are unable to accept cancellations for custom finish order unless within 48 hours of the order being placed.
- We have uniform pricing for all non-hammered finishes listed above as long as base material and size is same.
- Contact us for customized finishes, refer pages F1, F2, F3 & F4 for finish glossary.







Belvedere Surface Mount Door Pull Split Finish

SDP.1053.XX.XX

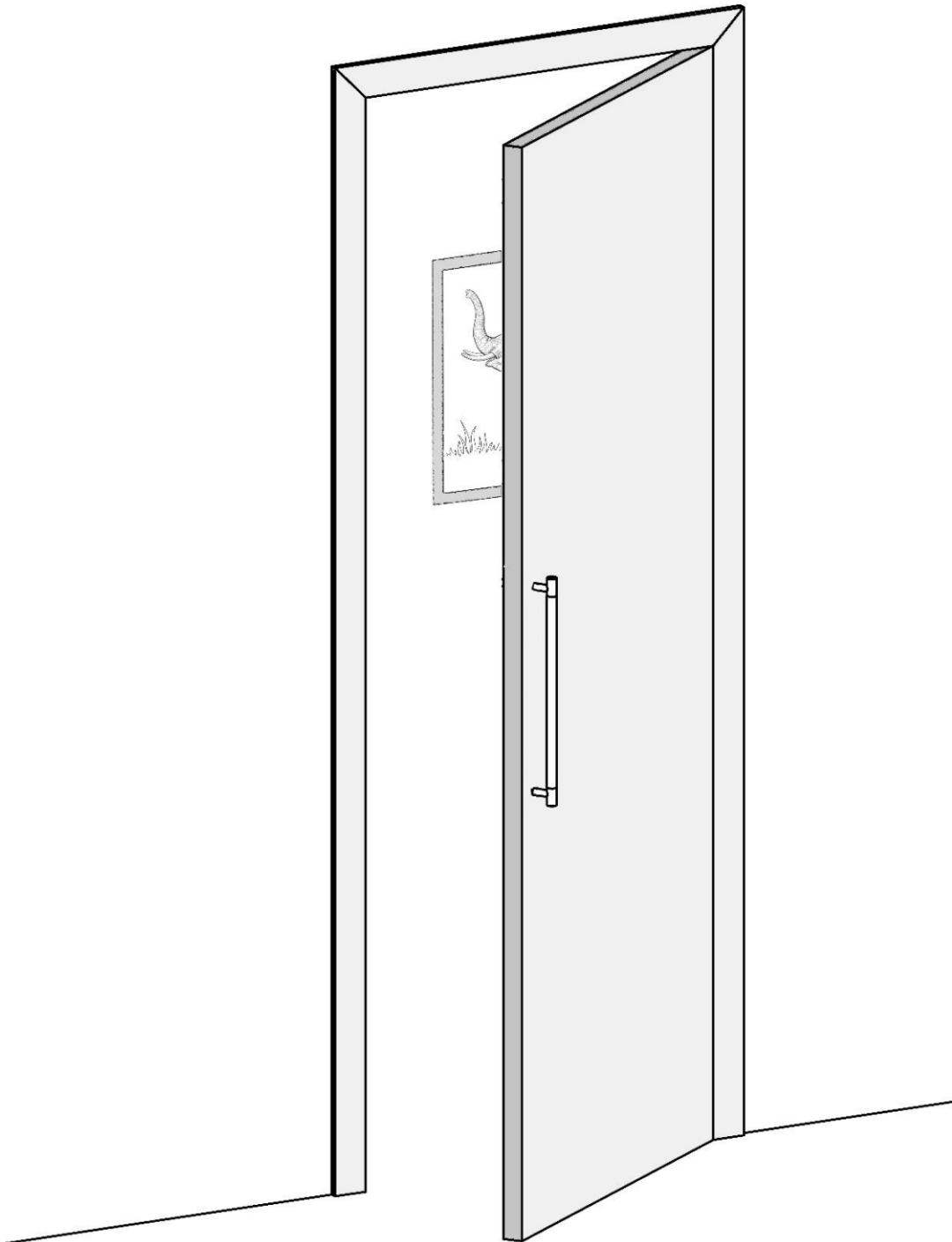
FINISH CODE (XX)	FINISH NAME	LINE DRAWING	A	B
SDP.1053.XX.48	Split Black and Polished Nickel		Matte Black	Polished Nickel
SDP.1053.XX.49	Split Black and Satin Brass		Matte Black	Satin Brass
SDP.1053.XX.90	Split Graphite and Satin Brass		Graphite	Satin Brass
SDP.1053.XX.93	Split Graphite and Aged Brass		Graphite	Aged Brass
SDP.1053.XX.100	Walnut Wood and Black		Walnut Wood	Matte Black
SDP.1053.XX.101	Walnut Wood and Satin Brass		Walnut Wood	Satin Brass
SDP.1053.XX.102	Walnut Wood and Aged Brass		Walnut Wood	Aged Brass
SDP.1053.XX.103	Walnut Wood and Polished Nickel		Walnut Wood	Polished Nickel

Belvedere Surface Mount Door Pull Split Finish

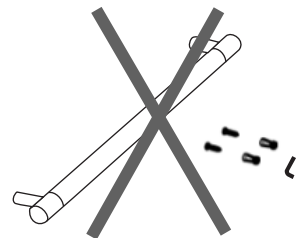
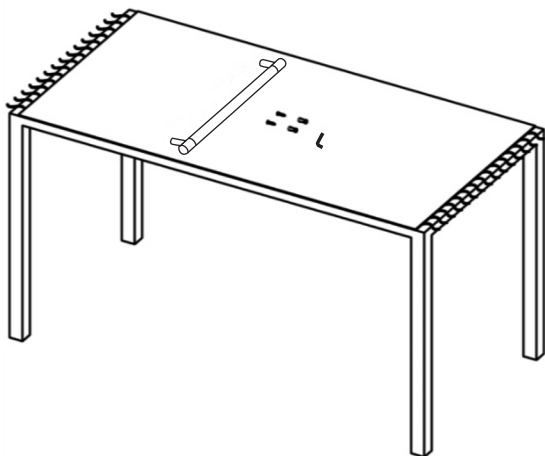
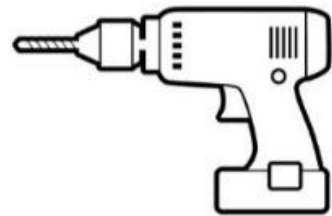
SDP.1053.XX.XX

FINISH CODE (XX)	FINISH NAME	LINE DRAWING	A	B
SDP.1053.XX.104	Walnut Wood and Brushed Nickel		Walnut Wood	Brushed Nickel
SDP.1053.XX.106	Beech Wood and Black		Beech Wood	Matte Black
SDP.1053.XX.107	Beech Wood and Satin Brass		Beech Wood	Satin Brass
SDP.1053.XX.108	Beech Wood and Aged Brass		Beech Wood	Aged Brass
SDP.1053.XX.109	Beech Wood and Polished Nickel		Beech Wood	Polished Nickel
SDP.1053.XX.110	Beech Wood and Brushed Nickel		Beech Wood	Brushed Nickel

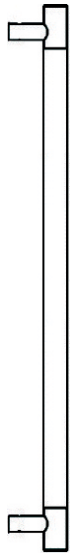
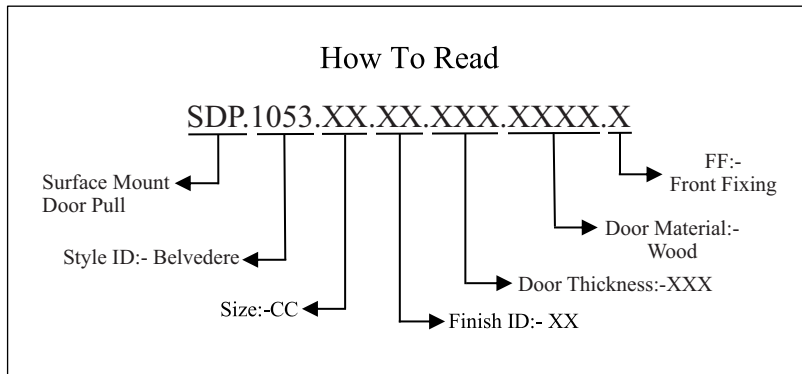
**SURFACE MOUNT FRONT FIXING
HANDLE ILLUSTRATED**



Required Tools



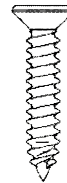
Step Wise Packing List			
S. No.	Part Number	Qty.	Steps
1	SDP.1053.XX.XX.XXX.XXXX.X	1x	1
2	SDP.FFPIN	2x	3
3	WSSCSKPFH.XX	2x	3
4	LNKY. 2.5	1x	4
5	Manual	1x	-



SDP.1053.XX.XX.XXX.XXXX.X



SDP.FFPIN

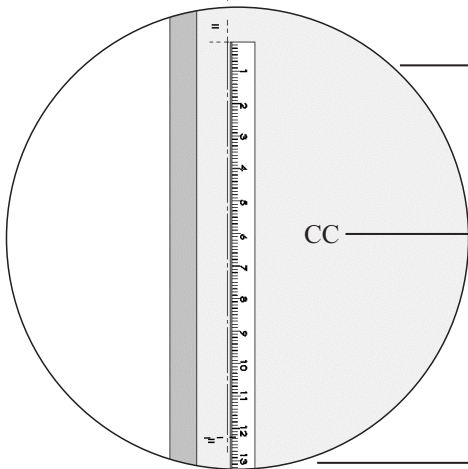
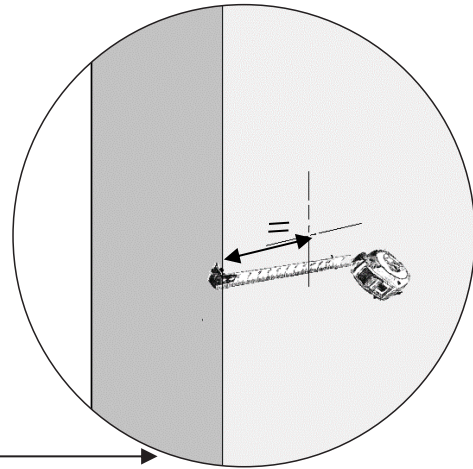
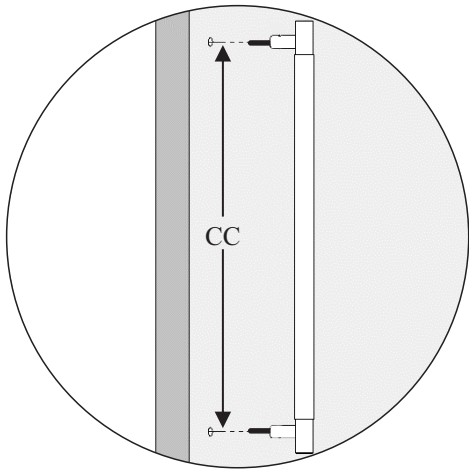


WSSCSKPFH.XX



LNKY. 2.5

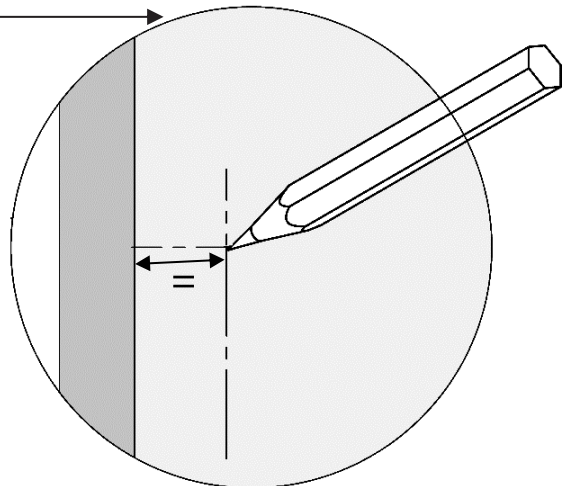
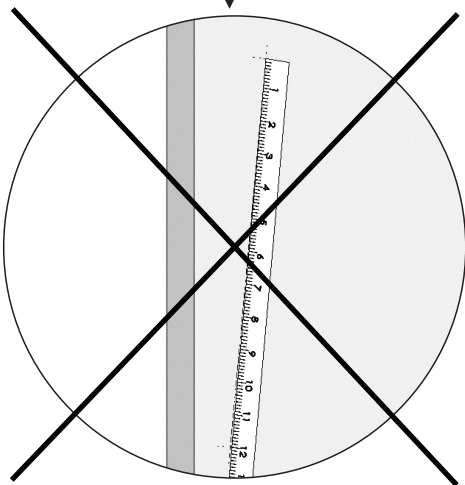
STEP-1



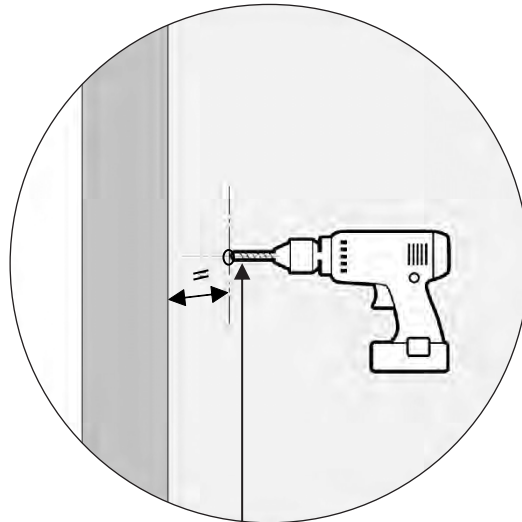
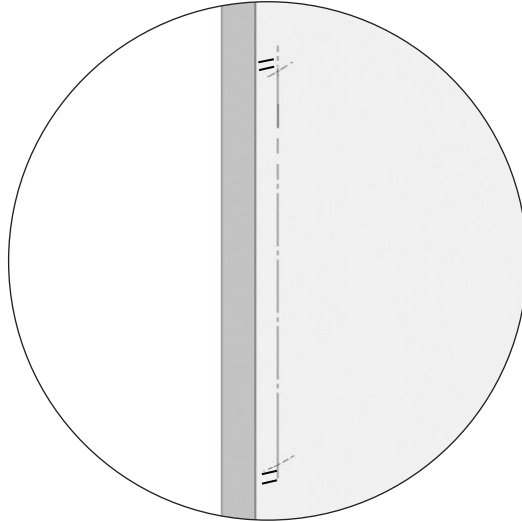
SDP.1053.XX.XX.XXX.XXXX.X

Size:-CC

- 12"
- 18"
- 24"
- 36"
- 48"



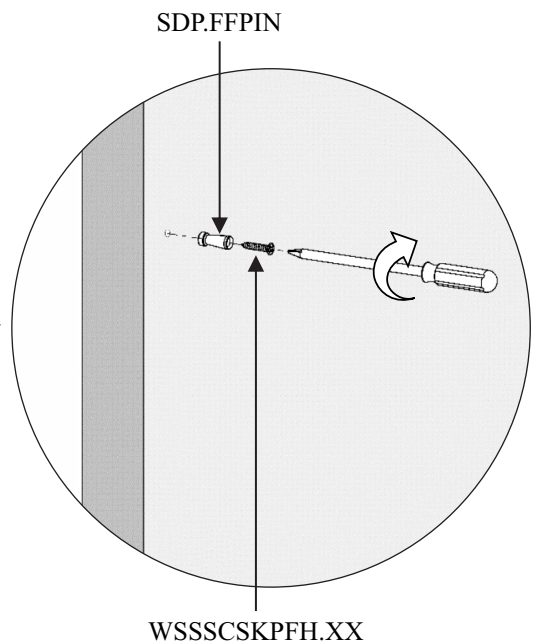
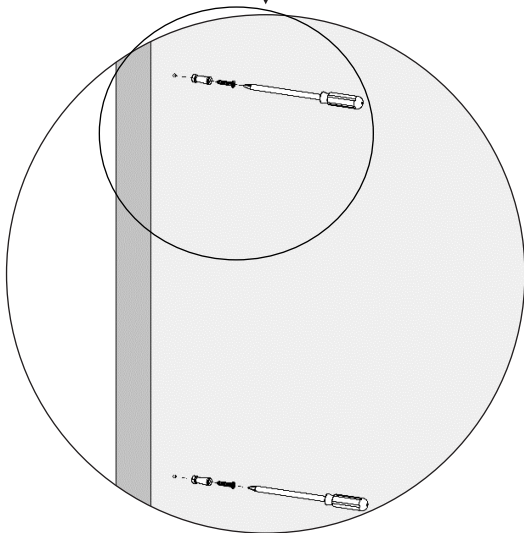
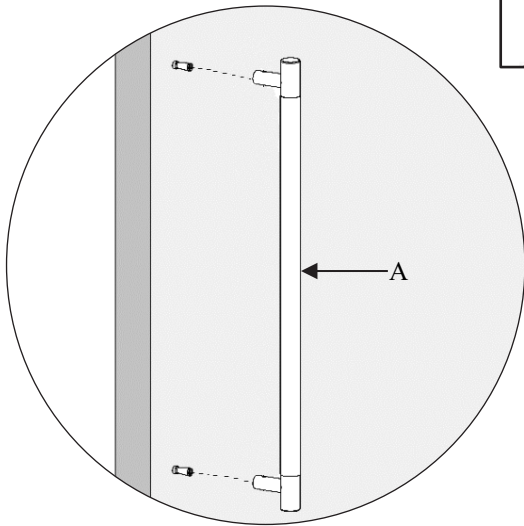
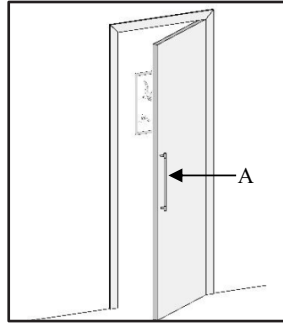
STEP-2



DRILL SIZE			
	Glass	Wood	Metal
SDP FF	N/A	1/10" (2.5mm)	N/A

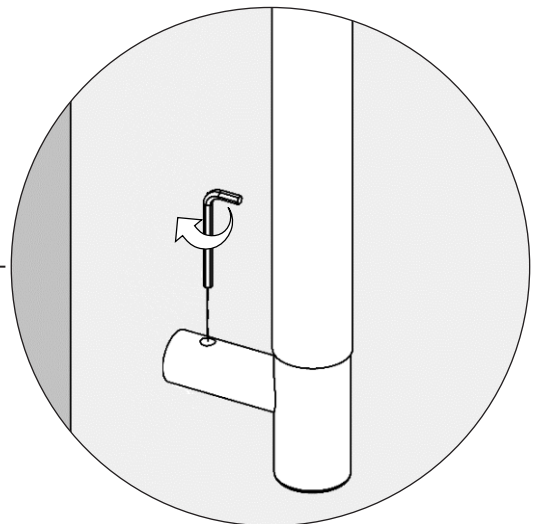
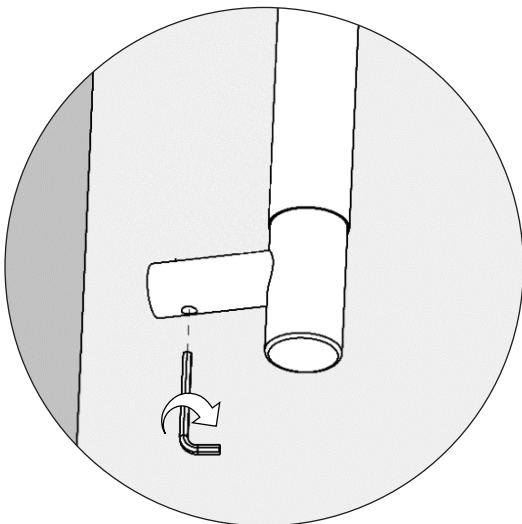
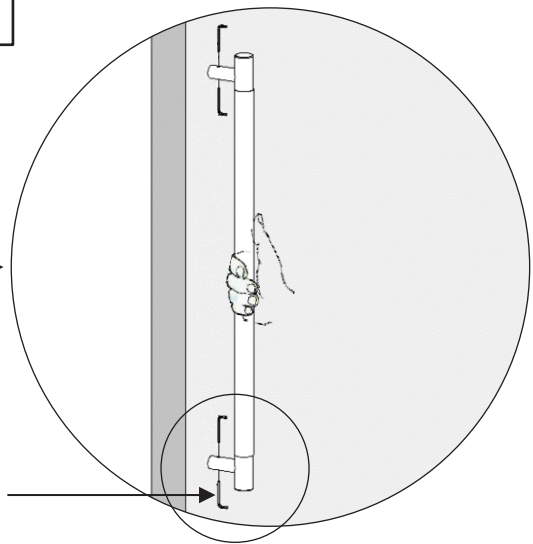
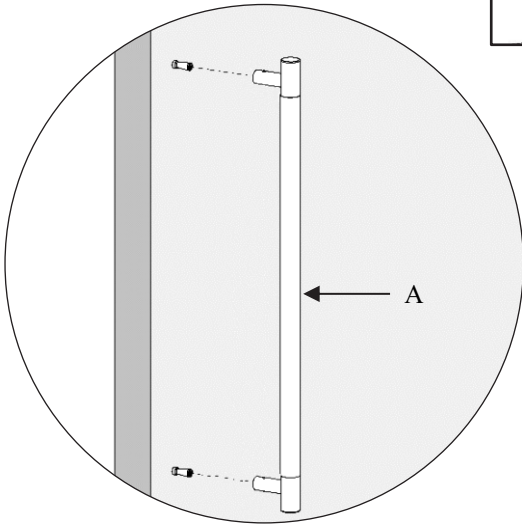
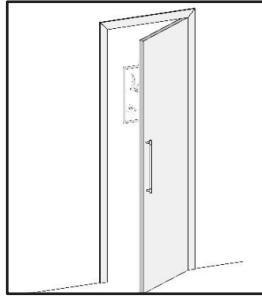
STEP-3

Step Wise Packing List			
S. No.	Part Number	Qty.	Steps
2	SDP.FFPIN	2x	3
3	WSSCSKPFH.XX	2x	3

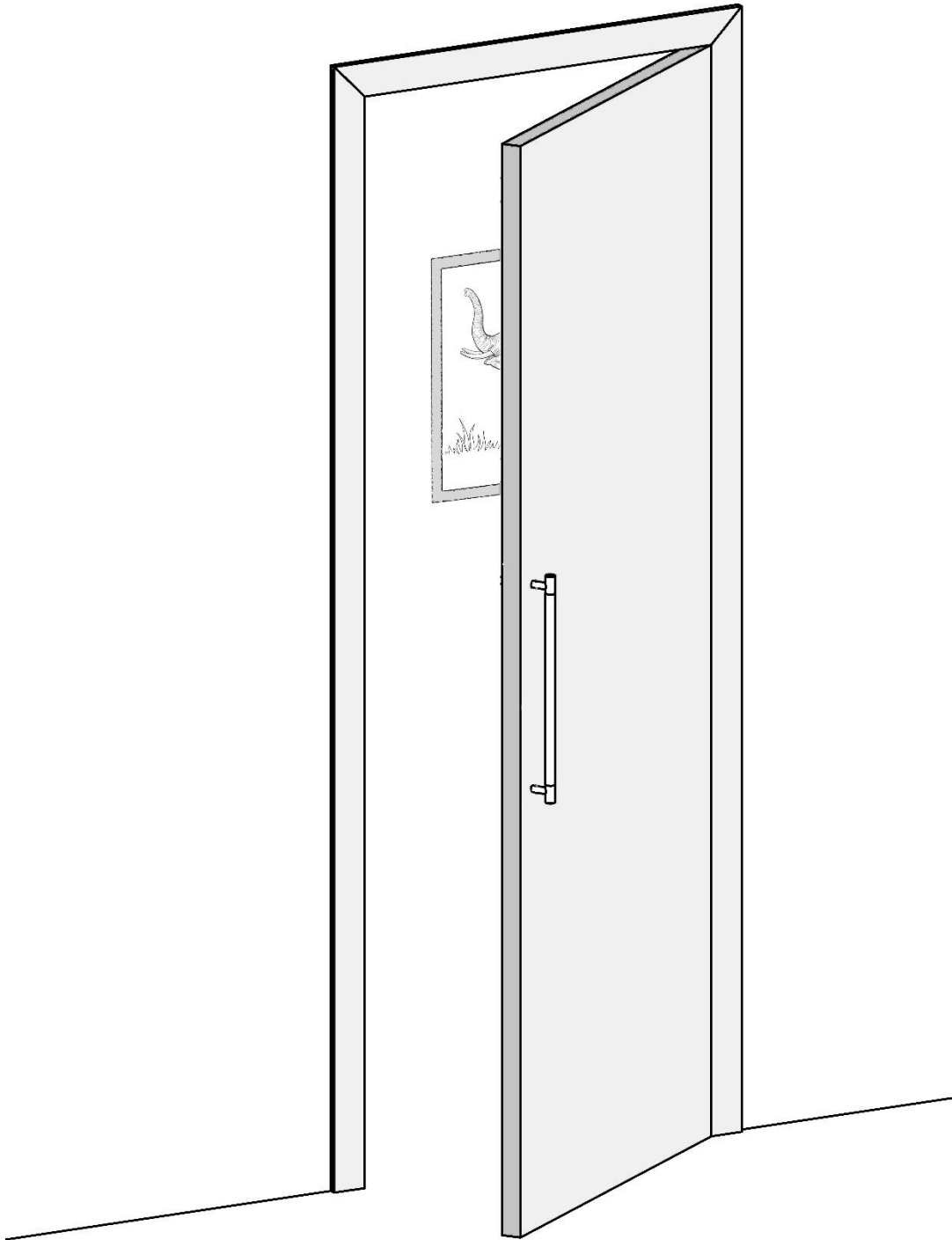


STEP-4

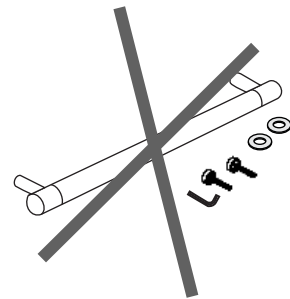
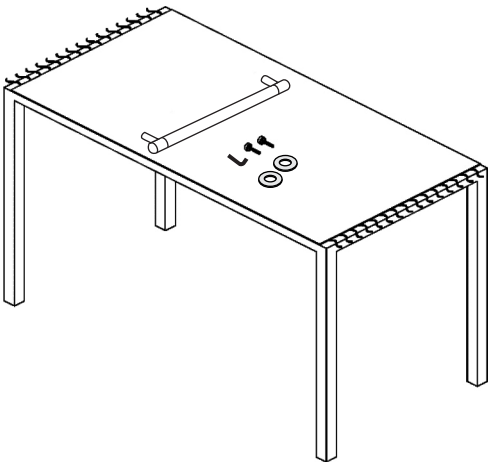
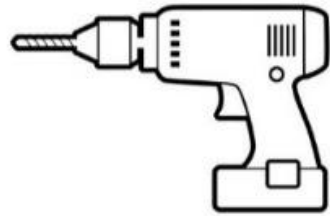
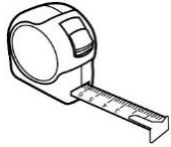
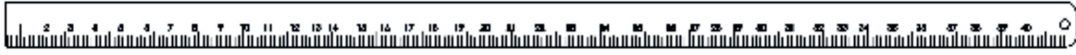
Step Wise Packing List			
S. No.	Part Number	Qty.	Steps
4	LNKY. 2.5	1x	4



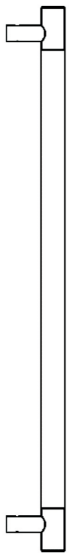
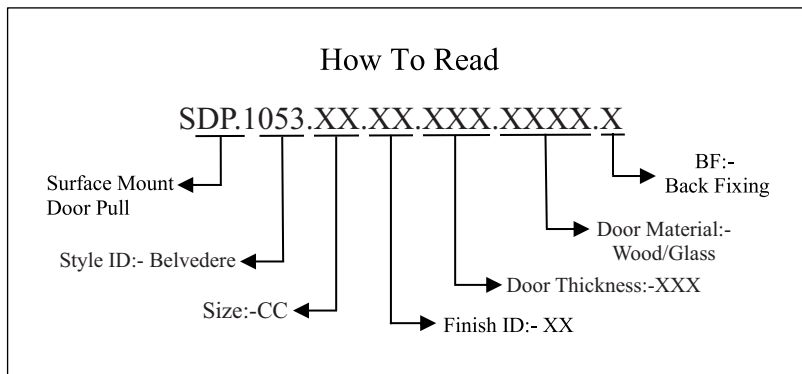
**SURFACE MOUNT BACK FIXING
HANDLE ILLUSTRATED**



Required Tools



Step Wise Packing List			
S. No.	Part Number	Qty.	Steps
1	SDP.1053.XX.XX.XXX.XXXX.X	1x	1
2	SLEEVE	1x	3
3	MSCCSKPH.XX	2x	3
4	SDP.BUSH	2x	3
5	LNKY.4	1x	3
6	WASHER	2x	3
7	SDP.CAP	2x	4
8	Manual	1x	-



SDP.1053.XX.XX.XXX.XXXX.X



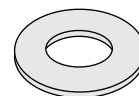
MSCCSKPH.XX



SDP.BUSH



LNKY.4



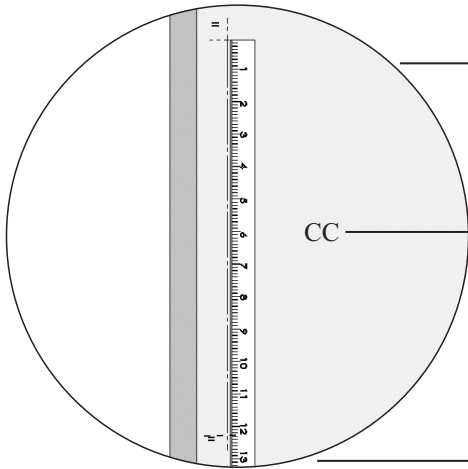
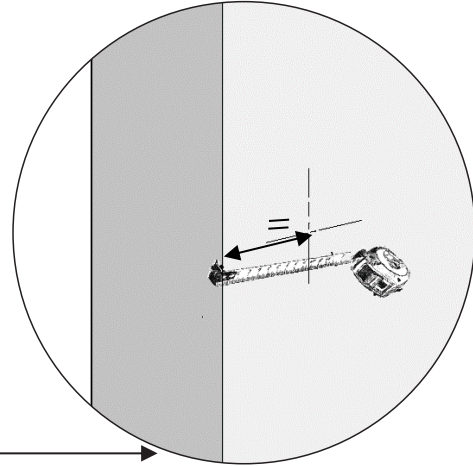
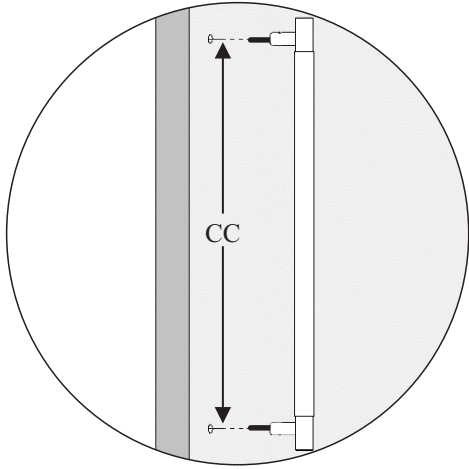
WASHER



SDP.CAP



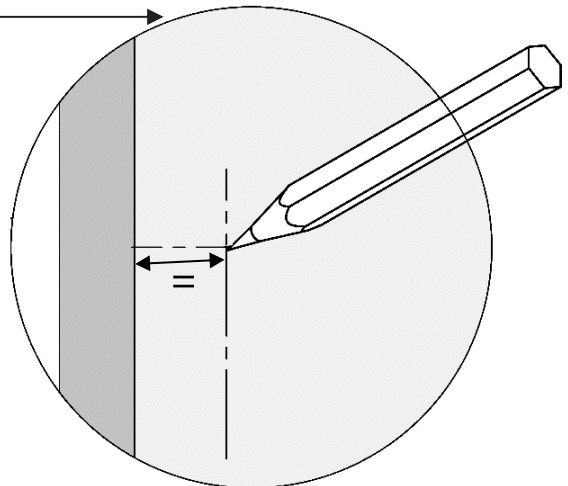
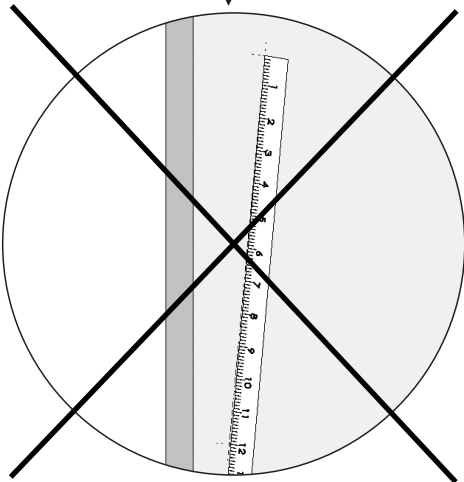
STEP-1



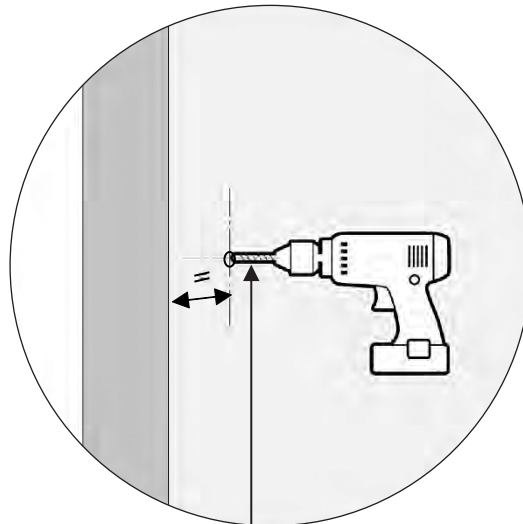
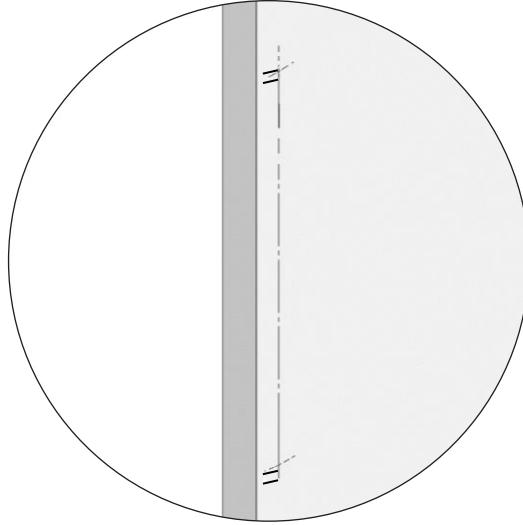
SDP.1053.XX.XX.XXX.XXXX.X

Size:-CC

- 12"
- 18"
- 24"
- 36"
- 48"



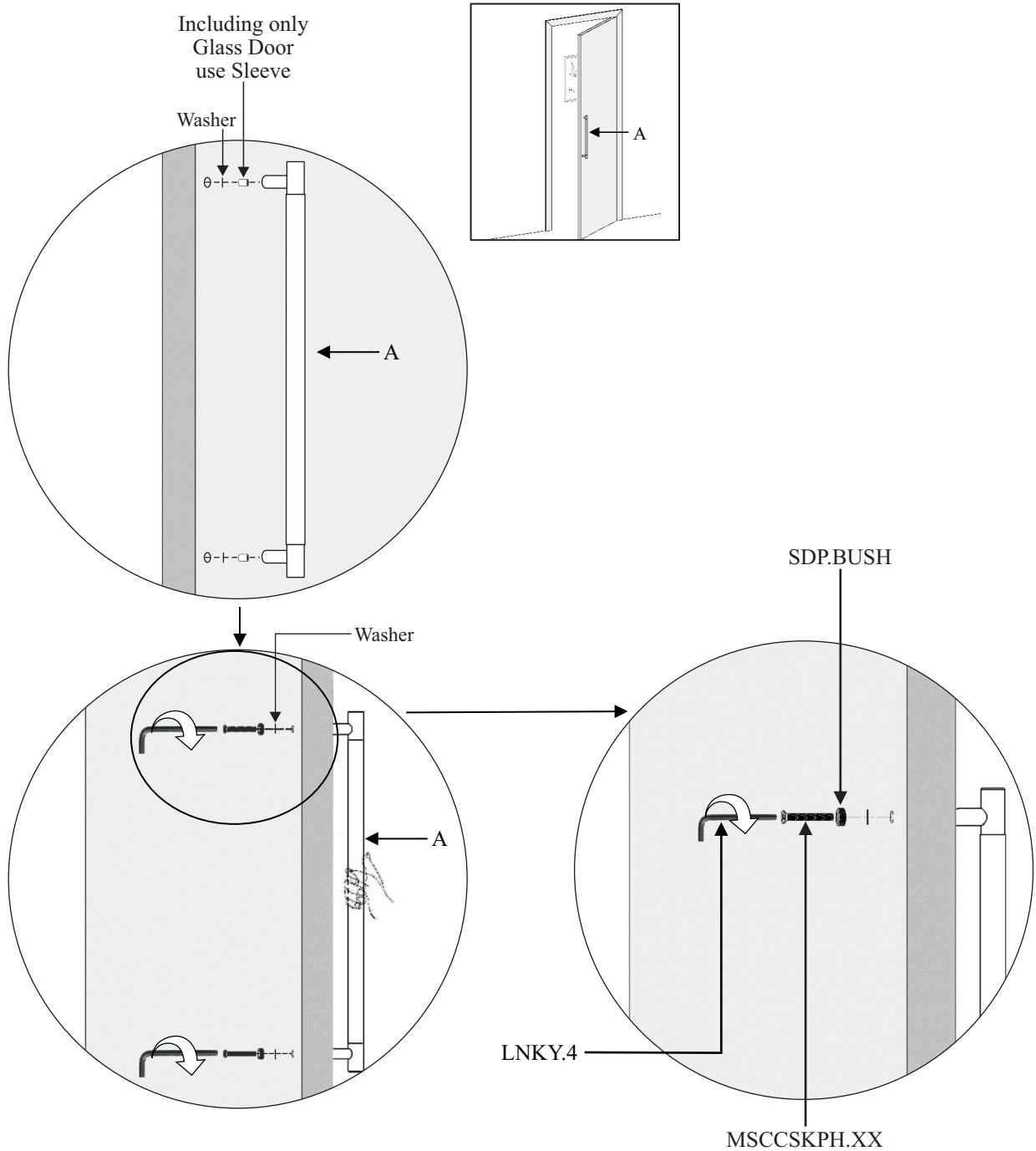
STEP-2



DRILL SIZE			
	Glass	Wood	Metal
SDP BF	3/8" (9.5mm)	1/4" (6.4mm)	1/4" (6.4mm)

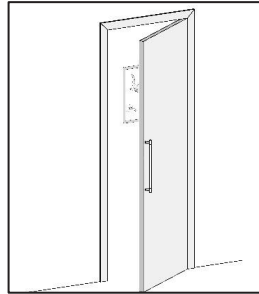
STEP-3

Step Wise Packing List			
S.No.	Part Number	Qty	Steps
2	SLEEVE	1x	3
3	MSCCSKPH.XX	2x	3
4	SDP.BUSH	2x	3
5	LNKY .4	1x	3
6	WASHER	2x	3



STEP-4

Step Wise Packing List			
S.No.	Part Number	Qty	Steps
7	SDP.CAP	2x	4



SDP.CAP

