



Satin Brass (Finish ID:13)

BOND SURFACE MOUNT DOOR PULL

Item Code	Size (mm & Inches)	Material	Size (Inches)				Fig.
			A	B	C	D	
1 SDP.1052.12".XX.XXX.XXXX.X	304.8mm (12")	Brass	16.5	0.87	12	2.09	1
2 SDP.1052.18".XX.XXX.XXXX.X	457.2mm (18")	Brass	22.5	0.87	18	2.09	1
3 SDP.1052.24".XX.XXX.XXXX.X	609.6mm (24")	Brass	28.5	0.87	24	20.9	1
4 SDP.1052.36".XX.XXX.XXXX.X	914.4mm (36")	Brass	40.5	0.87	36	2.09	1
5 SDP.1052.48".XX.XXX.XXXX.X	1219.2mm (48")	Brass	52.5	0.87	48	20.9	1

"XX" in item code denotes Finish ID.
 "XXX" in item code denotes Door Thickness.
 "XXXX" in item code denotes Door Material.
 "X" in item code denotes Front Fix or Back Fix.

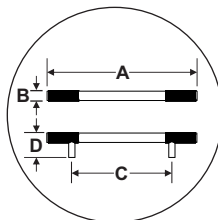
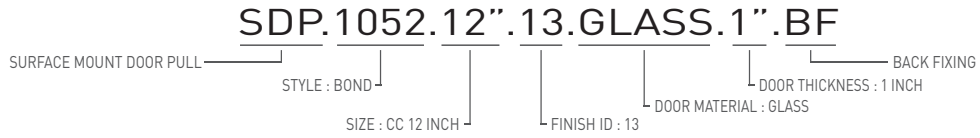


FIG. 1

This product is Supplied with Based on Front Fix or Back Fix Order.

How to Order



Bond Surface Mount Door Pull Finish Options

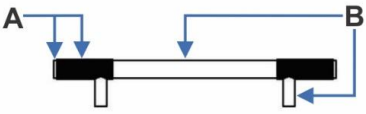
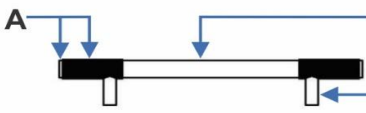
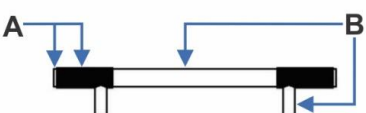
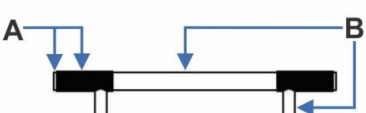
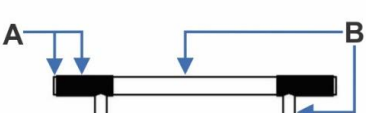
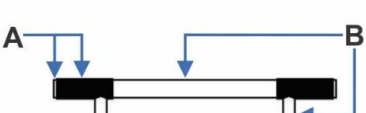
Base Material : Brass	Standard Finishes (2-3 Weeks Delivery)
Base Material : Brass	Custom Finishes (3-4 Weeks Delivery)*

Front Fix (FF)	
Door Material	Door Thickness
1. Wood	1", 1 1/4", 1 1/2", 1 3/4", 2", 2 1/4", 2 1/2"
2. Metal	1", 1 1/4", 1 1/2", 1 3/4", 2", 2 1/4", 2 1/2"
Back Fix (BF)	
Door Material	Door Thickness
1. Wood	5/16", 3/8", 1/2", 3/4", 1", 1 1/4", 1 1/2", 1 3/4", 2", 2 1/4", 2 1/2"
2. Metal	5/16", 3/8", 1/2", 3/4", 1", 1 1/4", 1 1/2", 1 3/4", 2", 2 1/4", 2 1/2"
3. Glass	5/16", 3/8", 1/2", 3/4", 1"

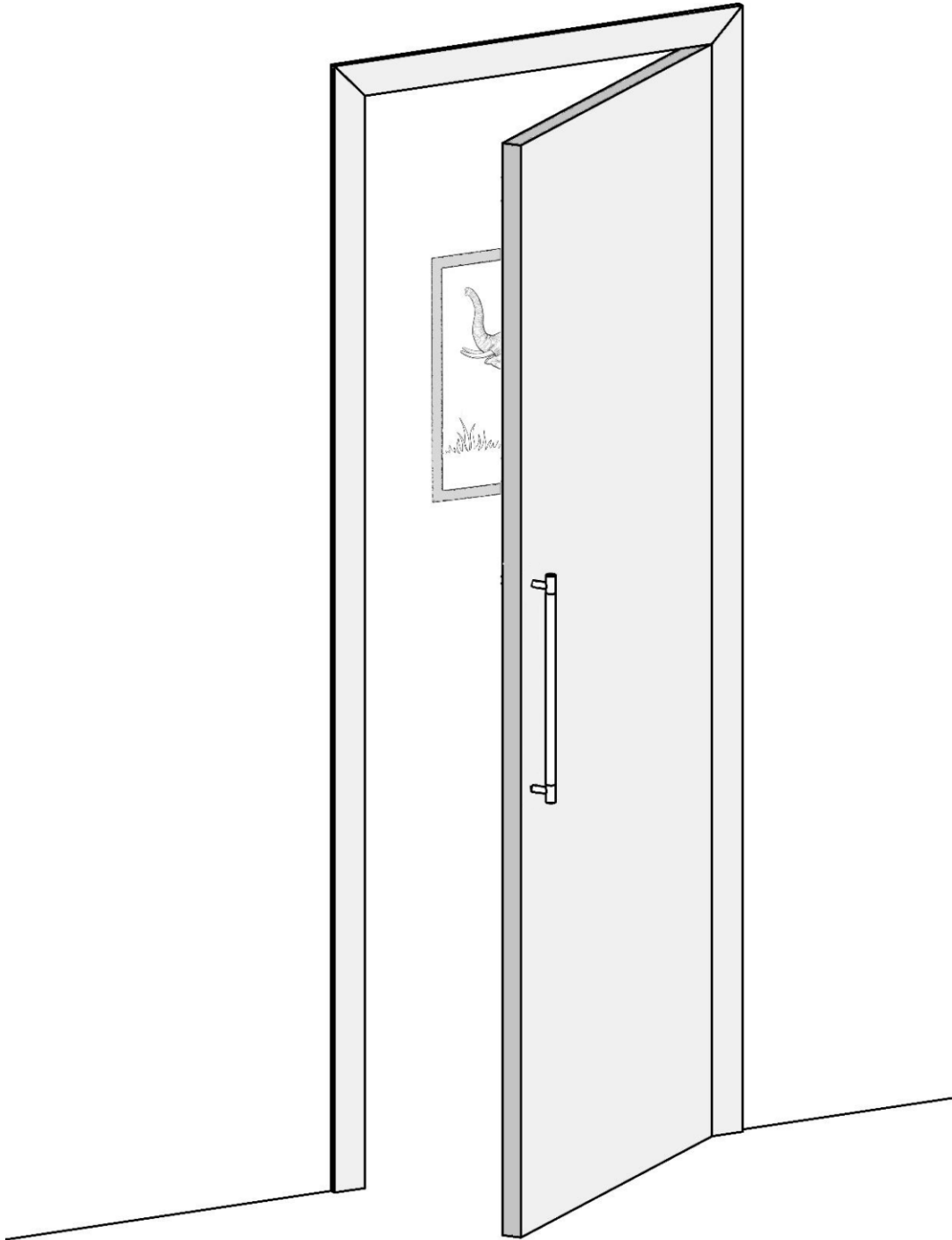
- Custom finishes cannot be returned or refunded. We are unable to accept cancellations for custom finish order unless within 48 hours of the order being placed.
- We have uniform pricing for all non-hammered finishes listed above as long as base material and size is same.
- Contact us for customized finishes, refer pages F1, F2, F3 & F4 for finish glossary.

Bond Surface Mount Door Pull Split Finish

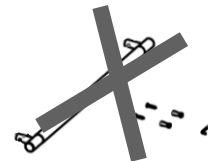
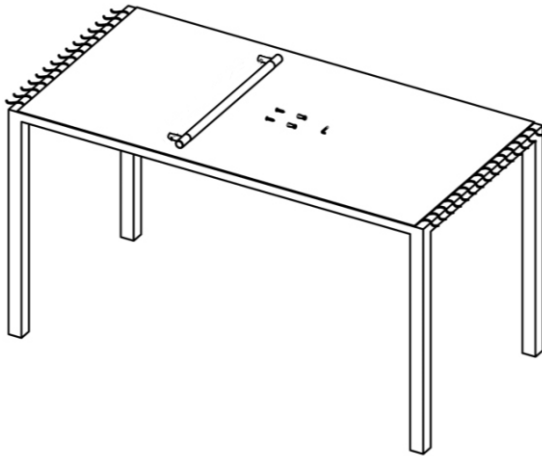
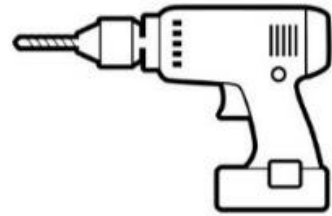
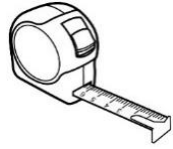
SDP.1052.XX.XX

FINISH CODE (XX)	FINISH NAME	LINE DRAWING	A	B
SDP.1052.XX.48	Split Black and Polished Nickel		Matte Black	Polished Nickel
SDP.1052.XX.49	Split Black and Satin Brass		Matte Black	Satin Brass
SDP.1052.XX.59	Split Black and Chrome		Matte Black	Bright Chrome
SDP.1052.XX.90	Split Graphite and Satin Brass		Graphite	Satin Brass
SDP.1052.XX.91	Split Graphite and Brush Chrome		Graphite	Brush Chrome
SDP.1052.XX.93	Split Graphite and Aged Brass		Graphite	Aged Brass

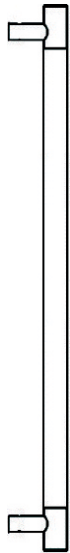
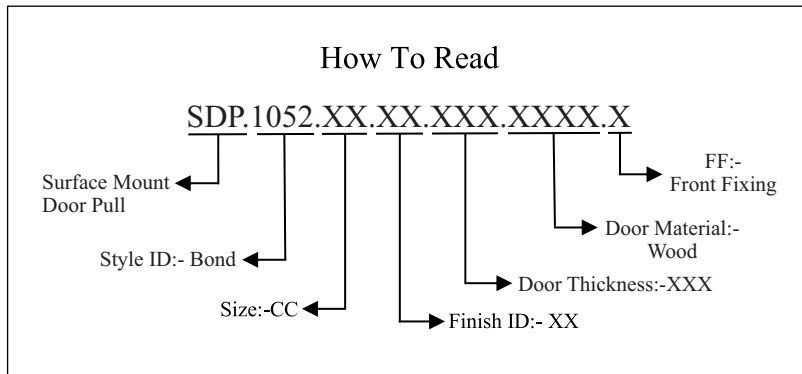
**SURFACE MOUNT FRONT FIXING
HANDLE ILLUSTRATED**



Required Tools



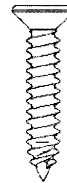
Step Wise Packing List			
S. No.	Part Number	Qty.	Steps
1	SDP.1052.XX.XX.XXX.XXXX.X	1x	1
2	SDP.FFPIN	2x	3
3	WSSCSKPFH.XX	2x	3
4	LNKY. 2.5	1x	4
5	Manual	1x	-



SDP.1052.XX.XX.XXX.XXXX.X



SDP.FFPIN

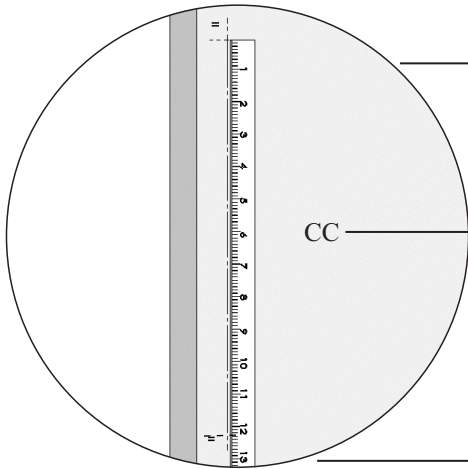
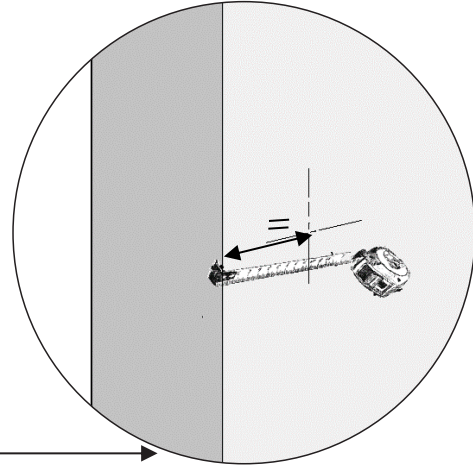
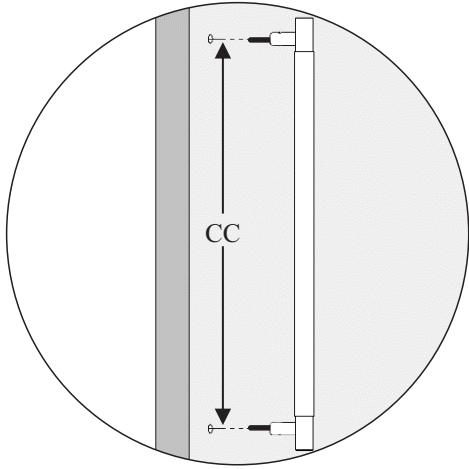


WSSCSKPFH.XX



LNKY. 2.5

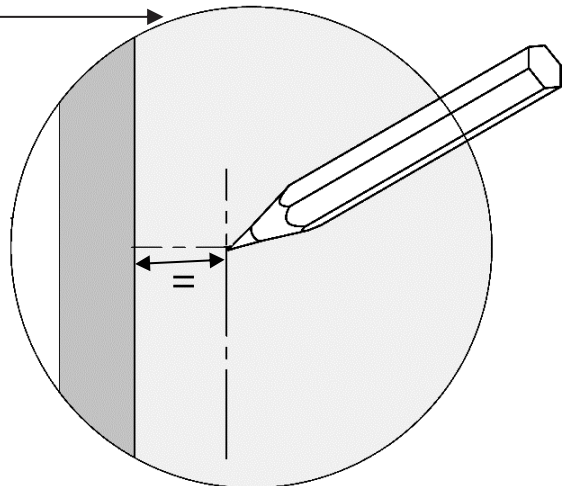
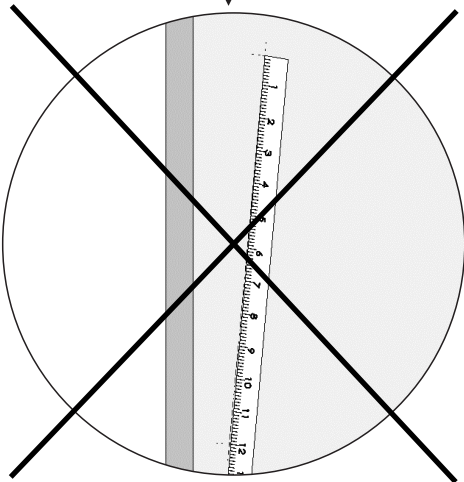
STEP-1



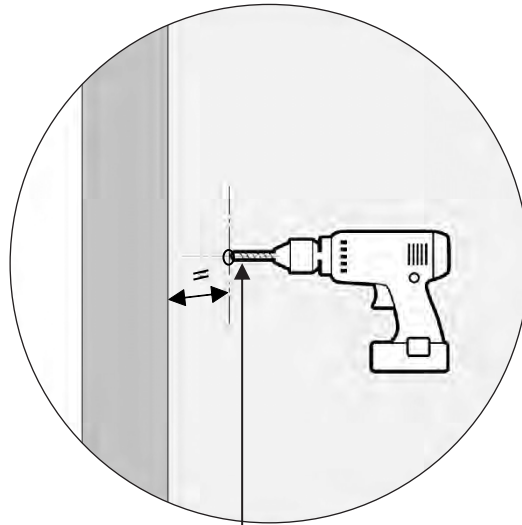
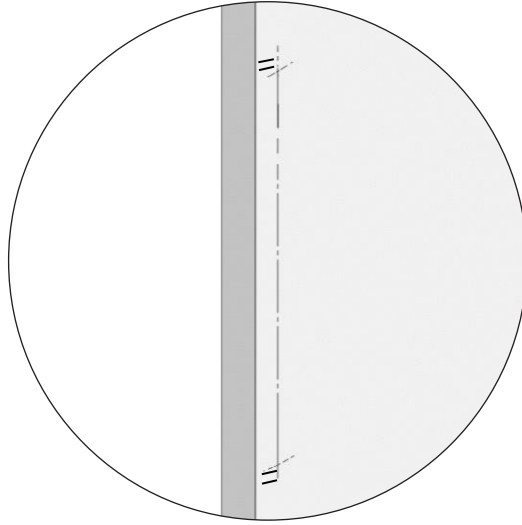
SDP.1052.XX.XX.XXX.XXXX.X

Size:-CC

- 12"
- 18"
- 24"
- 36"
- 48"



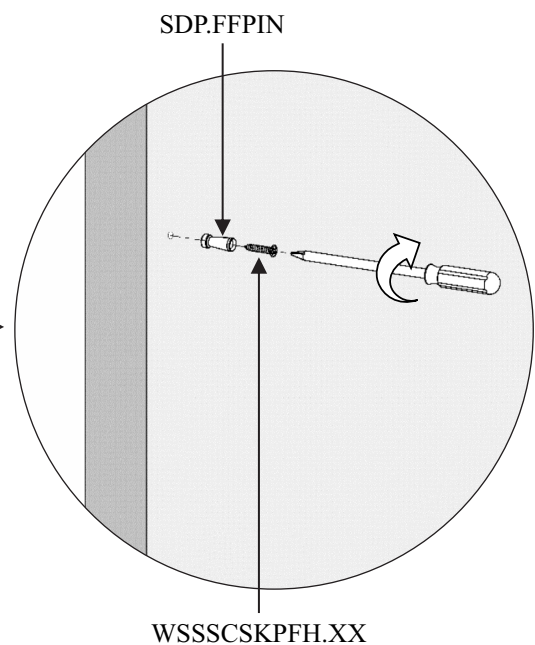
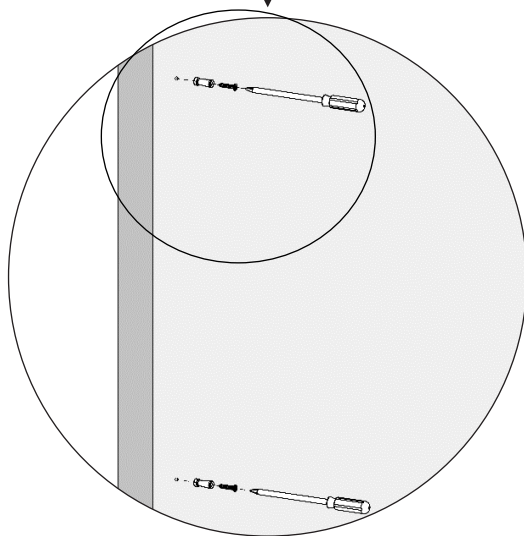
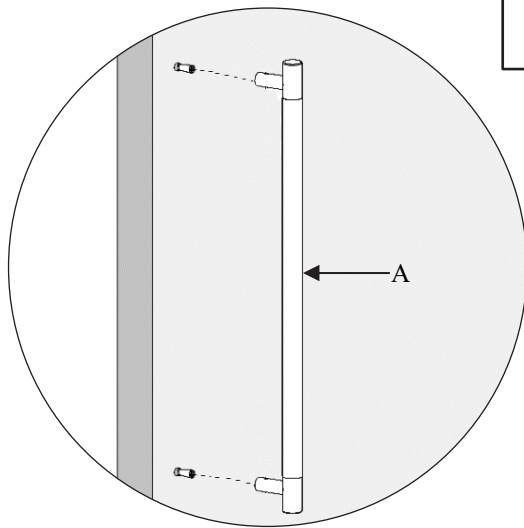
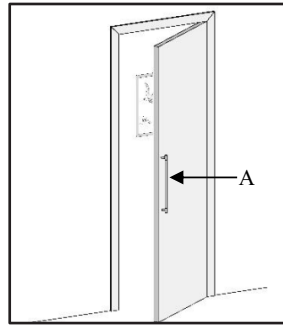
STEP-2



DRILL SIZE			
	Glass	Wood	Metal
SDP FF	N/A	1/10" (2.5mm)	N/A

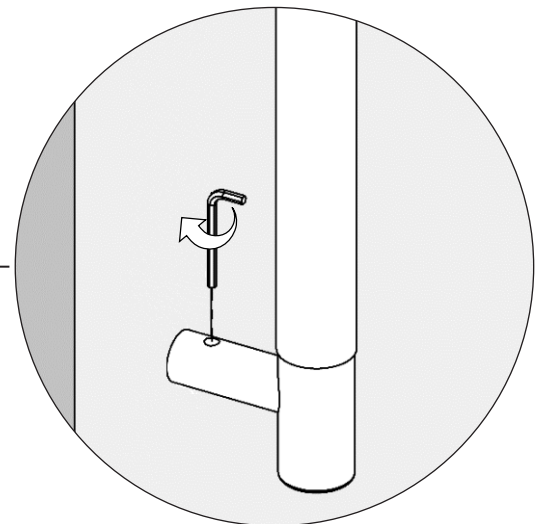
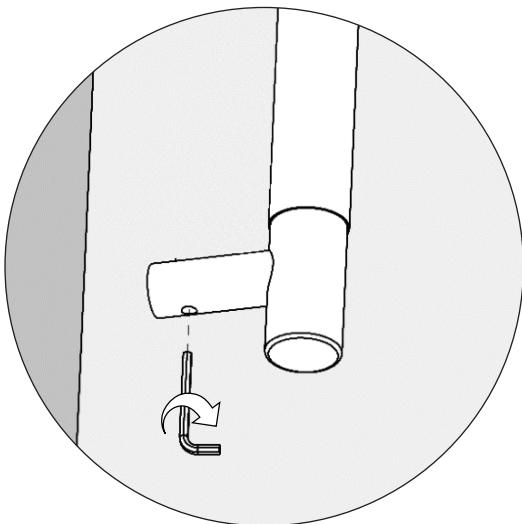
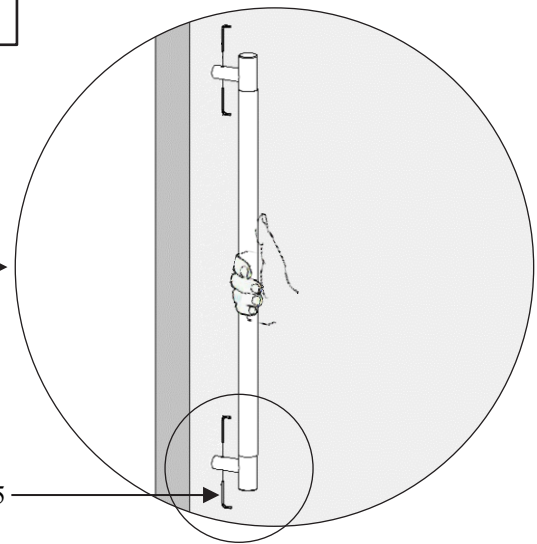
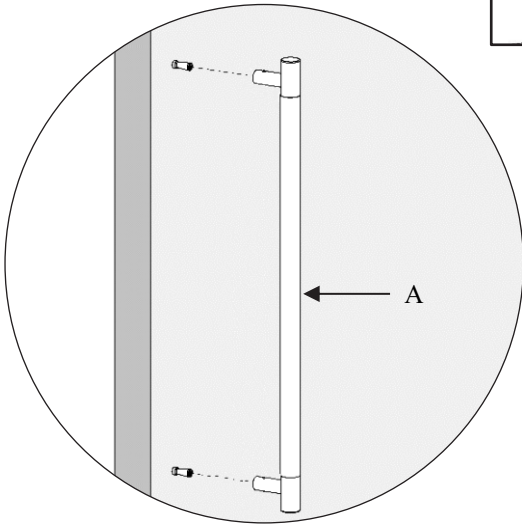
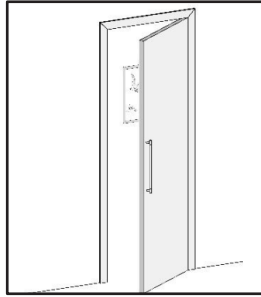
STEP-3

Step Wise Packing List			
S. No.	Part Number	Qty.	Steps
2	SDP.FFPIN	2x	3
3	WSSCSKPFH.XX	2x	3

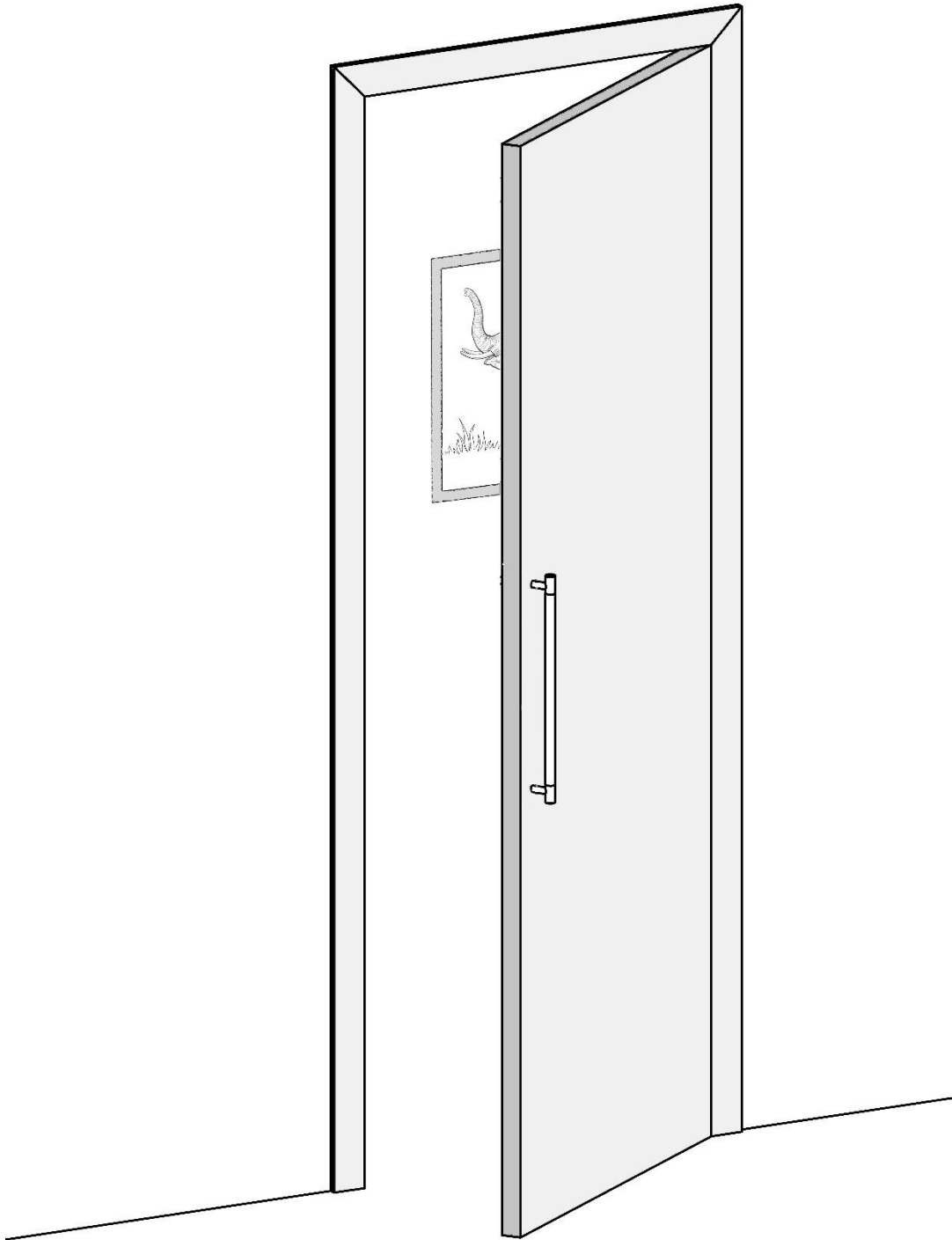


STEP-4

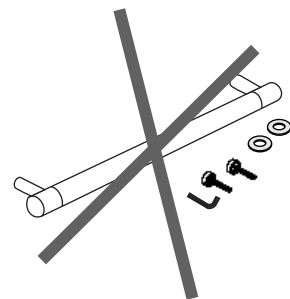
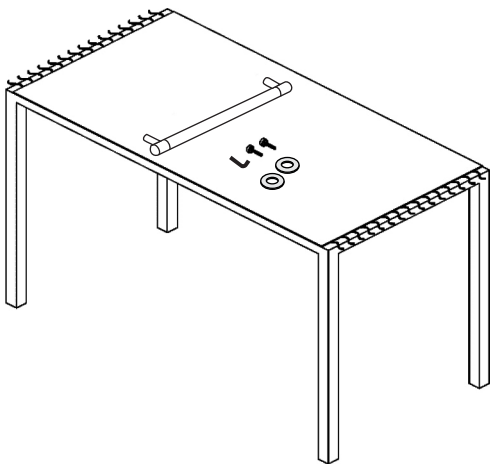
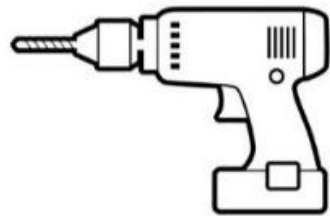
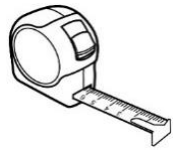
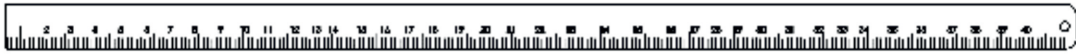
Step Wise Packing List			
S. No.	Part Number	Qty.	Steps
4	LNKY. 2.5	1x	4



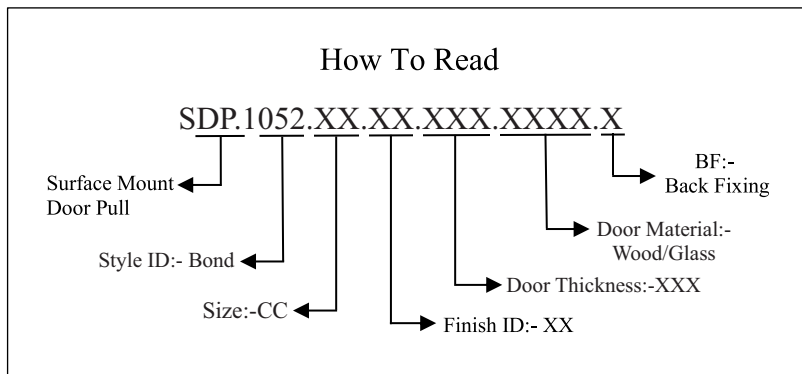
**SURFACE MOUNT BACK FIXING
HANDLE ILLUSTRATED**



Required Tools



Step Wise Packing List			
S. No.	Part Number	Qty.	Steps
1	SDP.1052.XX.XX.XXX.XXXX.X	1x	1
2	SLEEVE	1x	3
3	MSCCSKPH.XX	2x	3
4	SDP.BUSH	2x	3
5	LNKY.4	1x	3
6	WASHER	2x	3
7	SDP.CAP	2x	4
8	Manual	1x	-



SDP.1052.XX.XX.XXX.XXXX.X



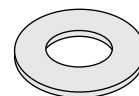
MSCCSKPH.XX



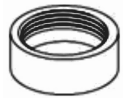
SDP.BUSH



LNKY 4



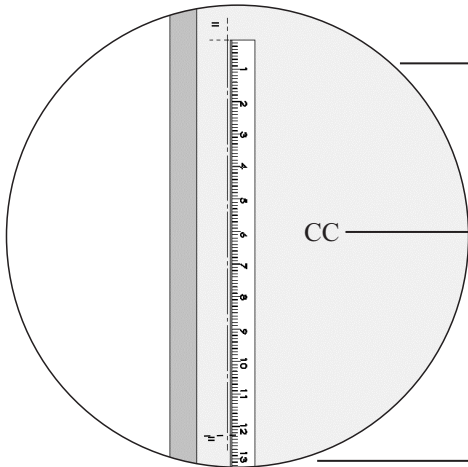
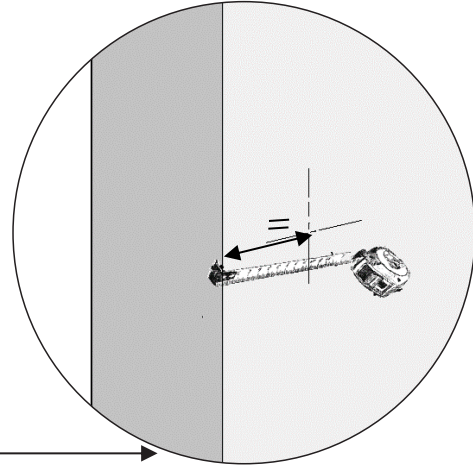
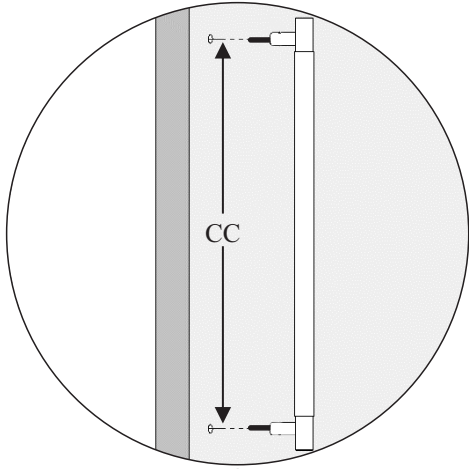
WASHER



SDP.CAP



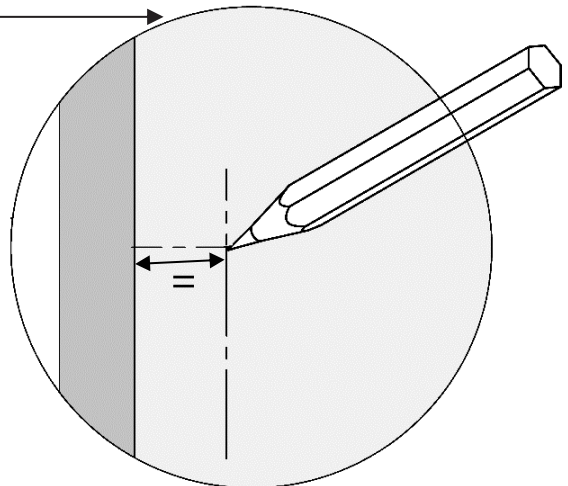
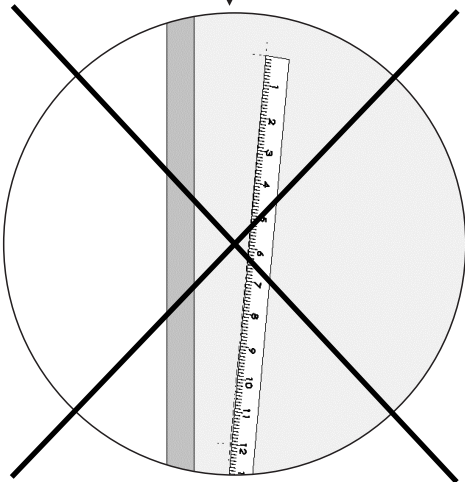
STEP-1



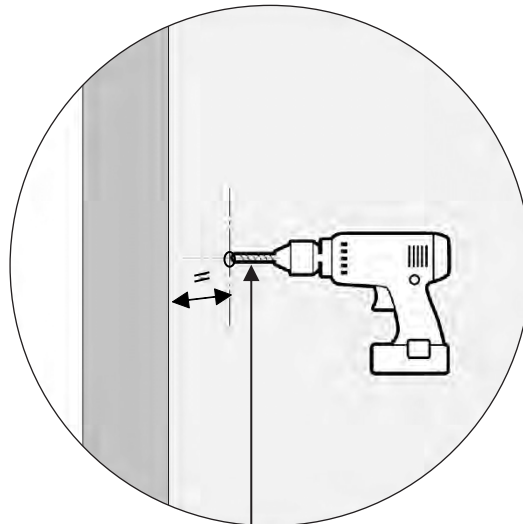
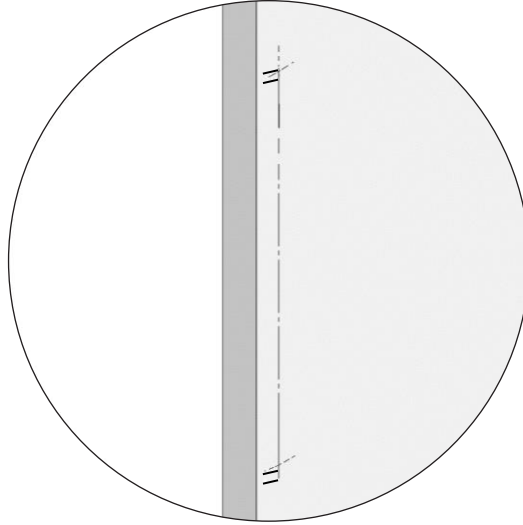
SDP.1052.XX.XX.XXX.XXXX.X

Size:-CC

- 12"
- 18"
- 24"
- 36"
- 48"



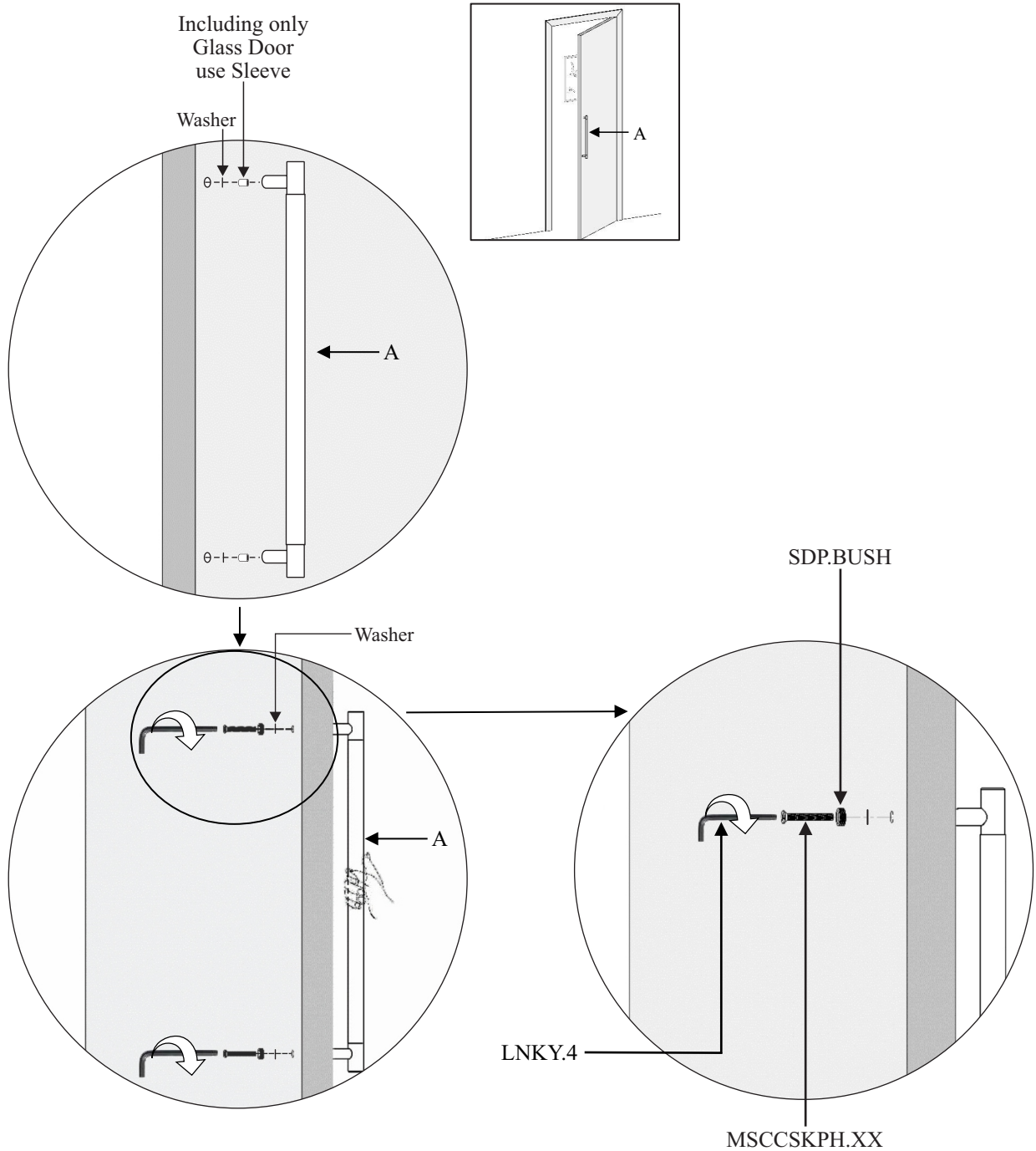
STEP-2



DRILL SIZE			
	Glass	Wood	Metal
SDP BF	3/8" (9.5mm)	1/4" (6.4mm)	1/4" (6.4mm)

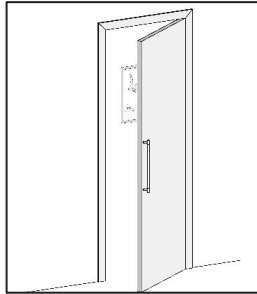
STEP-3

Step Wise Packing List			
S.No.	Part Number	Qty	Steps
2	SLEEVE	1x	3
3	MSCCSKPH.XX	2x	3
4	SDP.BUSH	2x	3
5	LNKY .4	1x	3
6	WASHER	2x	3



STEP-4

Step Wise Packing List			
S.No.	Part Number	Qty	Steps
7	SDP.CAP	2x	4



SDP.CAP

