



Aged Brass (Finish ID:4)

BELVEDERE SURFACE MOUNT DOOR PULL WITH BACK PLATE

	Item Code	Size (mm & Inches)	Material	Size (Inches)				Fig.
				A	B	C	D	
1	SDP.1042.12".XX.XXX.XXXX.X	304.8mm (12")	Brass	14	1.31	12	2.44	1
2	SDP.1042.18".XX.XXX.XXXX.X	457.2mm (18")	Brass	20	1.31	18	2.44	1
3	SDP.1042.24".XX.XXX.XXXX.X	609.6mm (24")	Brass	26	1.31	24	2.44	1
4	SDP.1042.36".XX.XXX.XXXX.X	914.4mm (36")	Brass	38	1.31	36	2.44	1
5	SDP.1042.48".XX.XXX.XXXX.X	1219.2mm (48")	Brass	50	1.31	48	2.44	1
6	SDP.1042.12".XX.XXX.XXXX.X	304.8mm (12")	Wood over Brass	14	1.31	12	2.44	1
7	SDP.1042.18".XX.XXX.XXXX.X	457.2mm (18")	Wood over Brass	20	1.31	18	2.44	1

"XX" in item code denotes Finish ID.

"XXX" in item code denotes Door Thickness.

"XXXX" in item code denotes Door Material.

"X" in item code denotes Front Fix or Back Fix.

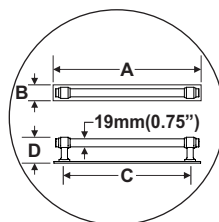
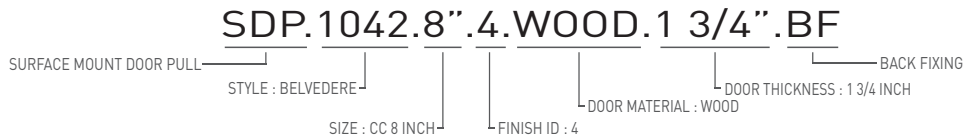


FIG. 1

This product is Supplied with Based on Front Fix or Back Fix Order.

How to Order



Belvedere Surface Mount Door Pull With Back Plate Finish Options

Base Material : Brass	Standard Finishes (2-3 Weeks Delivery)						
	Brush Nickel (Finish ID:3)	Aged Brass (Finish ID:4)	Unlacquered Polished Brass (Finish ID:7U)	Polished Nickel (Finish ID:8)	Satin Brass (Finish ID:13)		
Base Material : Brass	Custom Finishes (3-4 Weeks Delivery)*						
	Lacquered Polished Brass (Finish ID:7L)	Matte Black (Finish ID:19)	Split Black and Polished Nickel with Polished Nickel Back Plate (Finish ID:48A)	Split Black and Polished Nickel with Black Back Plate (Finish ID:48B)	Split Black and Satin Brass with Satin Brass Back Plate (Finish ID:49A)	Split Black and Satin Brass with Black Back Plate (Finish ID:49B)	Graphite (Finish ID:61)
	Split Graphite and Satin Brass with Satin Brass Back Plate (Finish ID:90A)	Split Graphite and Satin Brass with Graphite Back Plate (Finish ID:90B)	Split Graphite and Aged Brass with Graphite Back Plate (Finish ID:93A)	Split Graphite and Aged Brass with Aged Brass Back Plate (Finish ID:93B)			
Base Material : Brass/Wood	Custom Finishes (3-4 Weeks Delivery)*						
	Walnut Wood and Black (Finish ID:100)	Walnut Wood and Satin Brass (Finish ID:101)	Walnut Wood and Aged Brass (Finish ID:102)	Walnut Wood and Polished Nickel (Finish ID:103)	Walnut Wood and Brushed Nickel (Finish ID:104)	Beech Wood and Black (Finish ID:106)	Beech Wood and Satin Brass (Finish ID:107)
	Beech Wood and Aged Brass (Finish ID:108)	Beech Wood and Polished Nickel (Finish ID:109)	Beech Wood and Brushed Nickel (Finish ID:110)				


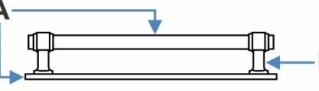
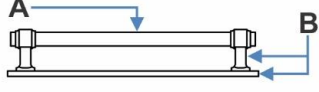
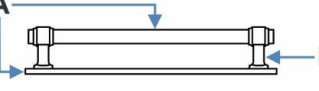


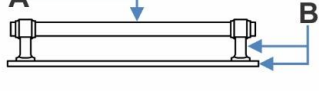
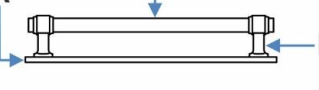
- Custom finishes cannot be returned or refunded. We are unable to accept cancellations for custom finish order unless within 48 hours of the order being placed.
- We have uniform pricing for all non-hammered finishes listed above as long as base material and size is same.
- Contact us for customized finishes, refer pages F1, F2, F3 & F4 for finish glossary.

Front Fix (FF)	
Door Material	Door Thickness
1. Wood	1", 1 1/4", 1 1/2", 1 3/4", 2", 2 1/4", 2 1/2"
2. Metal	1", 1 1/4", 1 1/2", 1 3/4", 2", 2 1/4", 2 1/2"
Back Fix (BF)	
Door Material	Door Thickness
1. Wood	5/16", 3/8", 1/2", 3/4", 1", 1 1/4", 1 1/2", 1 3/4", 2", 2 1/4", 2 1/2"
2. Metal	5/16", 3/8", 1/2", 3/4", 1", 1 1/4", 1 1/2", 1 3/4", 2", 2 1/4", 2 1/2"
3. Glass	5/16", 3/8", 1/2", 3/4", 1"

- Custom finishes cannot be returned or refunded. We are unable to accept cancellations for custom finish order unless within 48 hours of the order being placed.
- We have uniform pricing for all non-hammered finishes listed above as long as base material and size is same.
- Contact us for customized finishes, refer pages F1, F2, F3 & F4 for finish glossary.









Belvedere Surface Mount Door Pull With Back Plate Split Finish

SDP.1042.XX.XX

FINISH CODE (XX)	FINISH NAME	LINE DRAWING	A	B
SDP.1042.XX.48A	Split Black and Nickel with Polished Nickel Back Plate		Matte Black	Polished Nickel
SDP.1042.XX.48B	Split Black and Nickel with Black Back Plate		Matte Black	Polished Nickel
SDP.1042.XX.49A	Split Black and Satin Brass with Satin Brass Back Plate		Matte Black	Satin Brass
SDP.1042.XX.49B	Split Black and Satin Brass with Black Back Plate		Matte Black	Satin Brass
SDP.1042.XX.90A	Split Graphite and Satin Brass with Satin Brass Back Plate		Graphite	Satin Brass
SDP.1042.XX.90B	Split Graphite and Satin Brass with Graphite Back Plate		Graphite	Satin Brass
SDP.1042.XX.93A	Split Graphite and Aged Brass with Graphite Back Plate		Aged Brass	Graphite
SDP.1042.XX.93B	Split Graphite and Aged Brass with Aged Brass Back Plate		Aged Brass	Graphite



Belvedere Surface Mount Door Pull With Back Plate Split Finish

SDP.1042.XX.XX

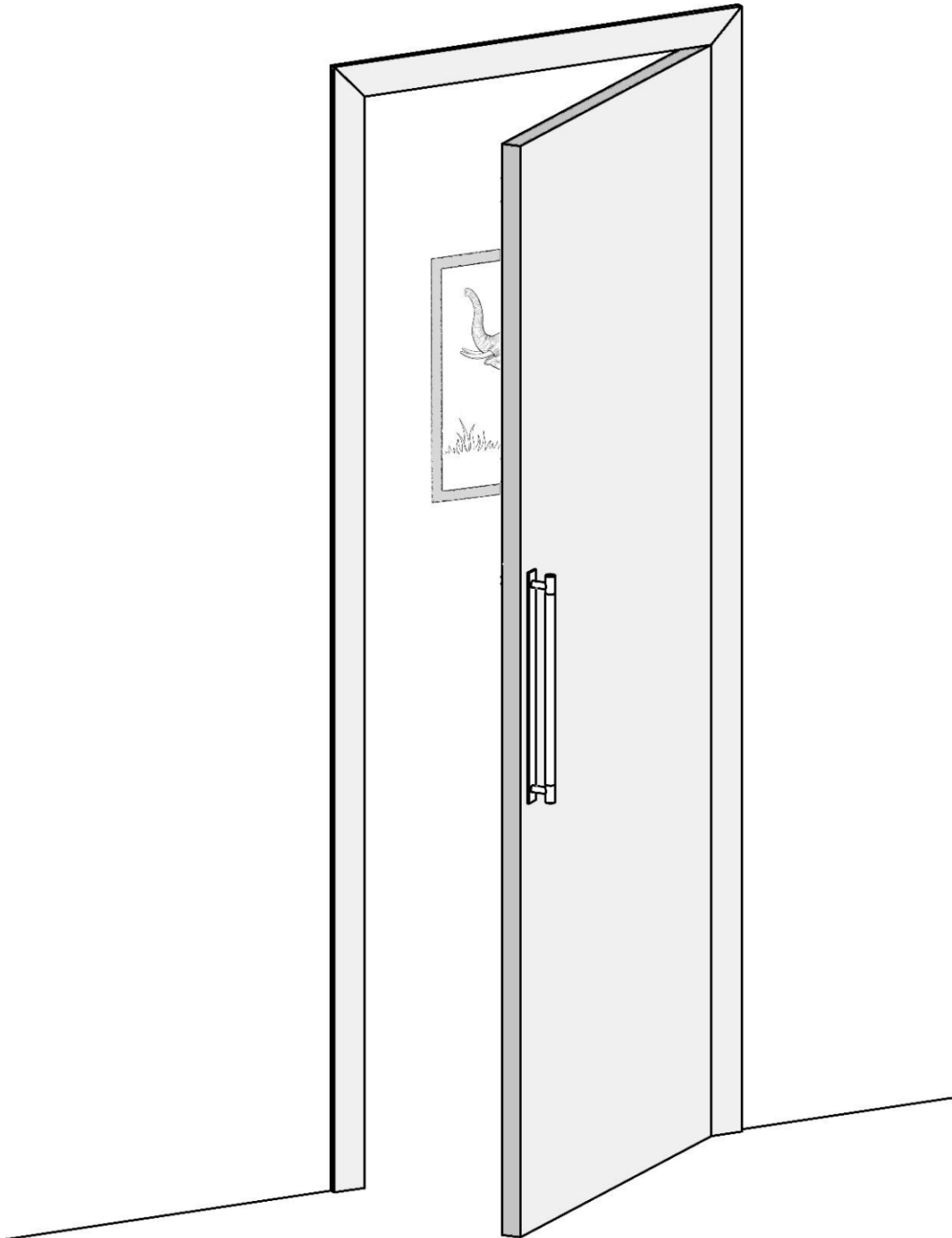
FINISH CODE (XX)	FINISH NAME	LINE DRAWING	A	B
SDP.1042.XX.100	Walnut Wood and Black		Walnut Wood	Matte Black
SDP.1042.XX.101	Walnut Wood and Satin Brass		Walnut Wood	Satin Brass
SDP.1042.XX.102	Walnut Wood and Aged Brass		Walnut Wood	Aged Brass
SDP.1042.XX.103	Walnut Wood and Polished Nickel		Walnut Wood	Polished Nickel
SDP.1042.XX.104	Walnut Wood and Brushed Nickel		Walnut Wood	Brushed Nickel
SDP.1042.XX.106	Beech Wood and Black		Beech Wood	Matte Black
SDP.1042.XX.107	Beech Wood and Satin Brass		Beech Wood	Satin Brass
SDP.1042.XX.108	Beech Wood and Aged Brass		Beech Wood	Aged Brass

Belvedere Surface Mount Door Pull With Back Plate Split Finish

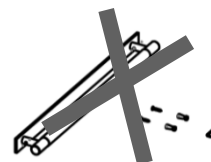
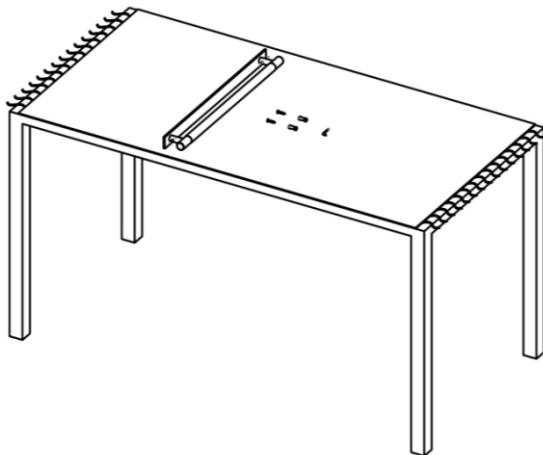
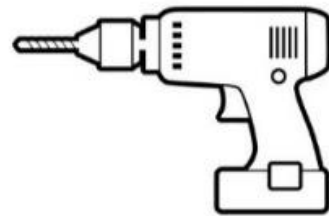
SDP.1042.XX.XX

FINISH CODE (XX)	FINISH NAME	LINE DRAWING	A	B
SDP.1042.XX.109	Beech Wood and Polished Nickel		Beech Wood	Polished Nickel
SDP.1042.XX.110	Beech Wood and Brushed Nickel		Beech Wood	Brushed Nickel

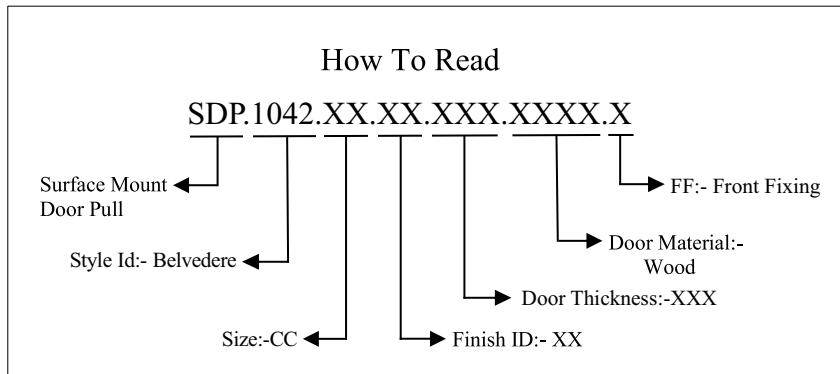
**SURFACE MOUNT FRONT FIXING
HANDLE ILLUSTRATED**



Required Tools



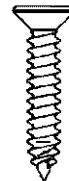
Step Wise Packing List			
S. No.	Part Number	Qty.	Steps
1	SDP.1042.XX.XX.XXX.XXXX.X	1x	1
2	SDP.FFPIN	2x	3
3	WSSSCSKPFH.XX	2x	3
4	LNKY. 2.5	1x	4
5	Manual	1x	-



SDP.1042.XX.XX.XXX.XXXX.X



SDP.FFPIN

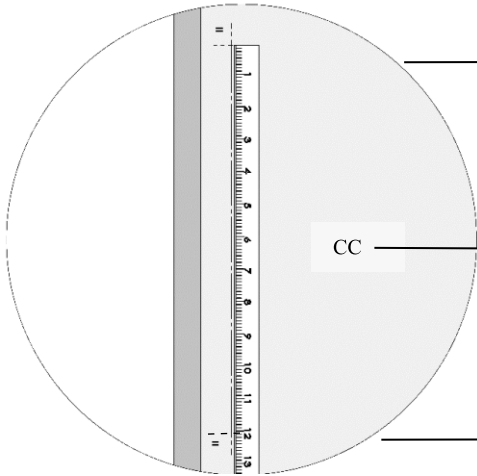
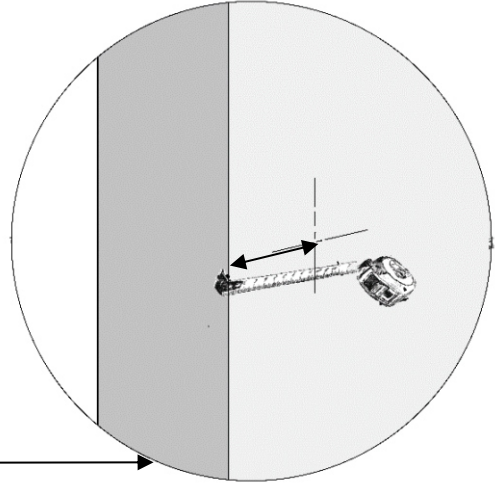
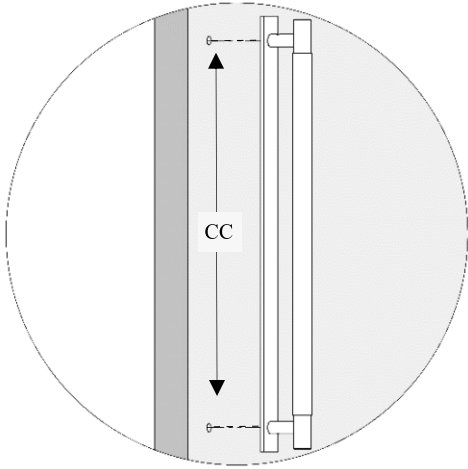


WSSSCSKPFH.XX



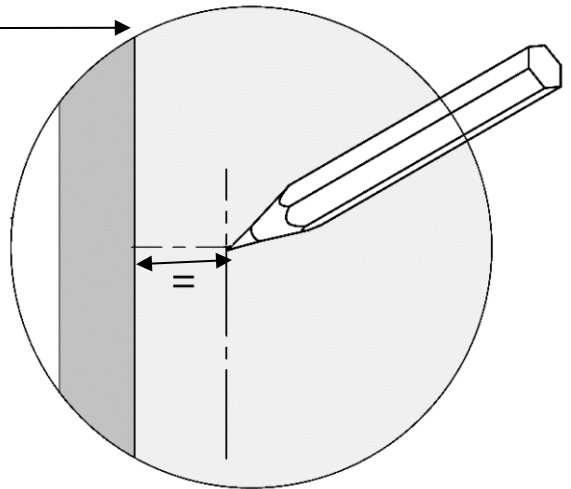
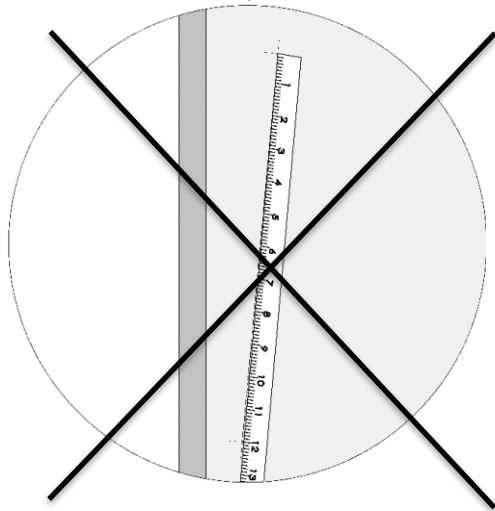
LNKY. 2.5

STEP-1

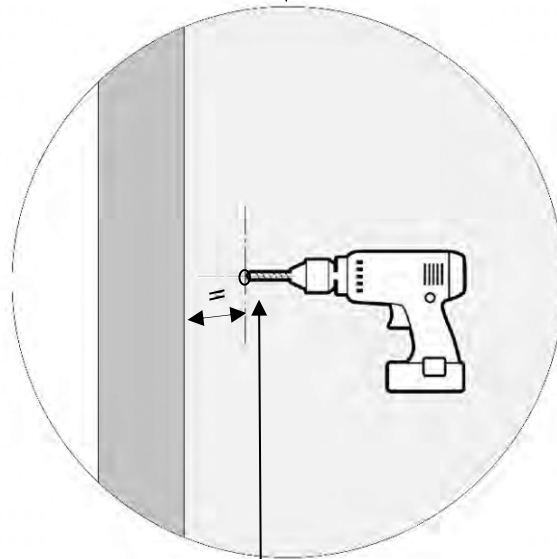
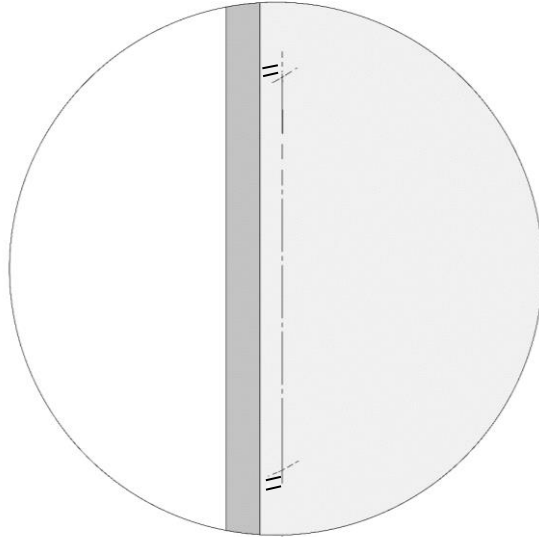


SDP.1042.XX.XX.XXX.XXXX.X

Size:-CC
12"
18"
24"
36"



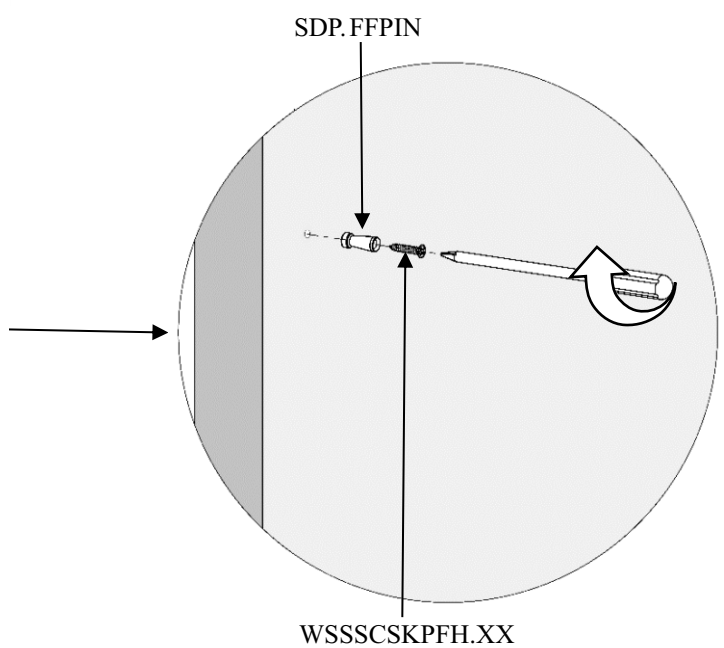
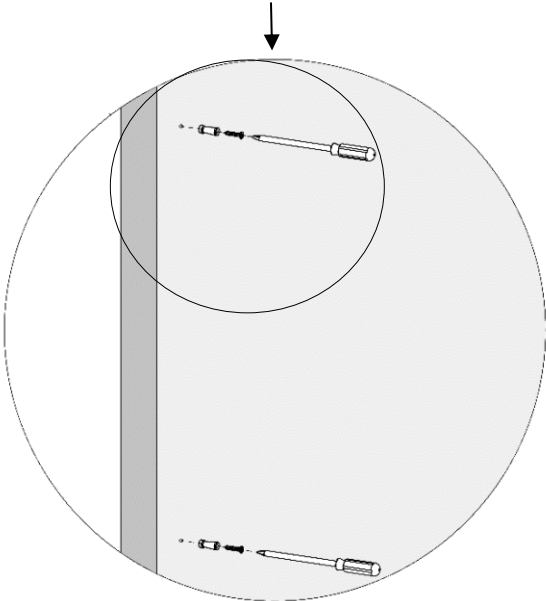
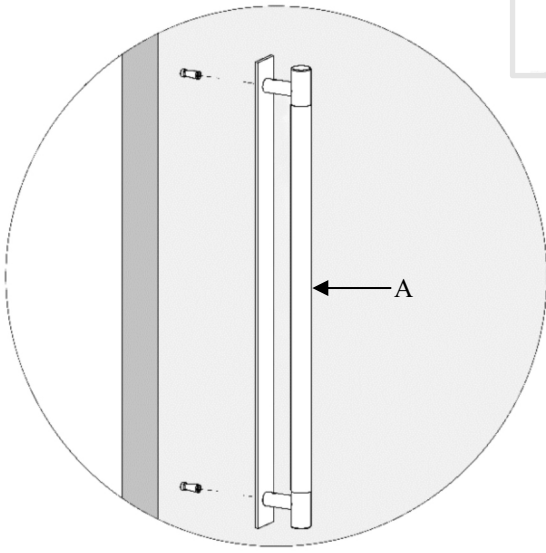
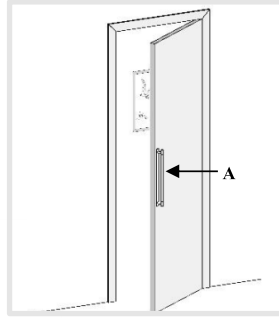
STEP-2



DRILL SIZE			
	Glass	Wood	Metal
SDP FF	N/A	1/10" (2.5mm)	N/A

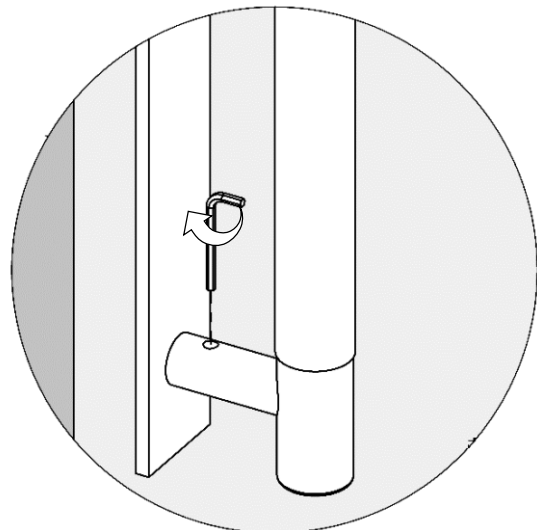
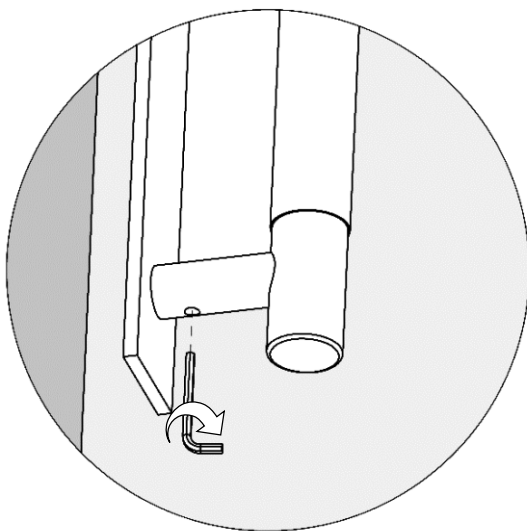
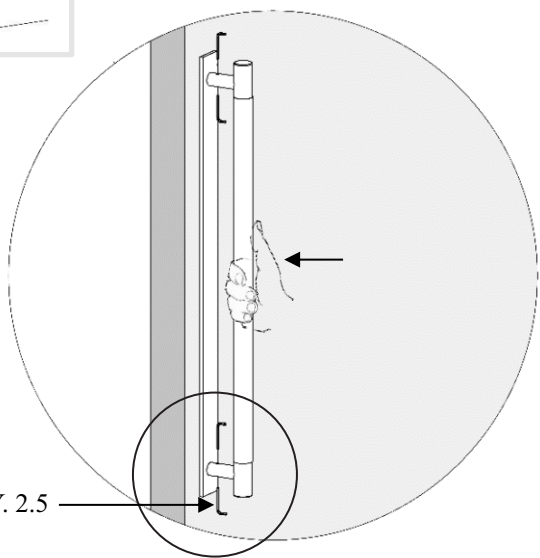
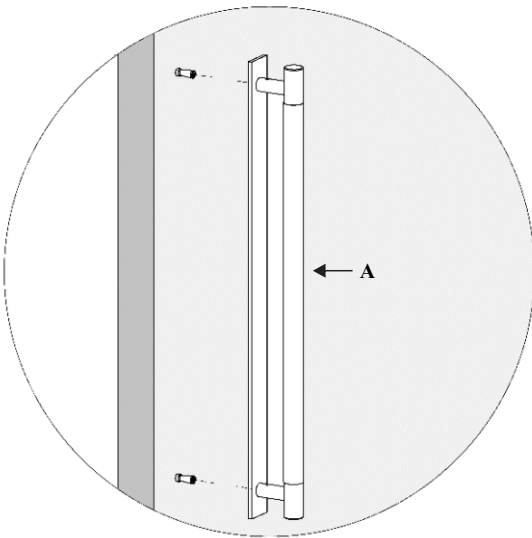
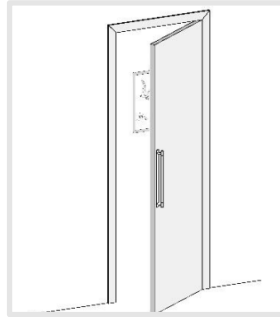
STEP-3

Step Wise Packing List			
S. No.	Part Number	Qty.	Steps
2	SDP.FFPIN	2x	3
3	WSSSCSKPFH.XX	2x	3

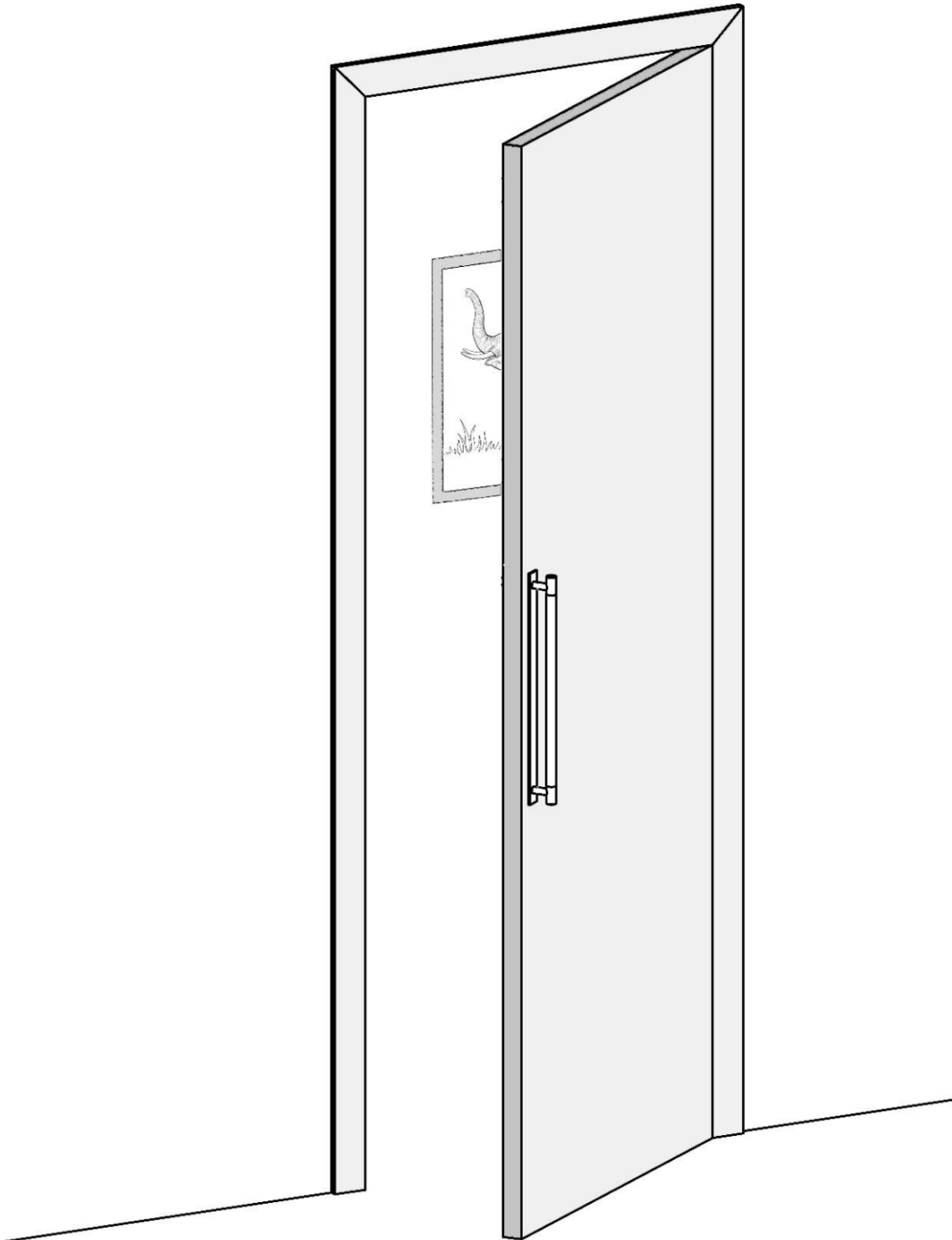


STEP-4

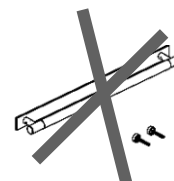
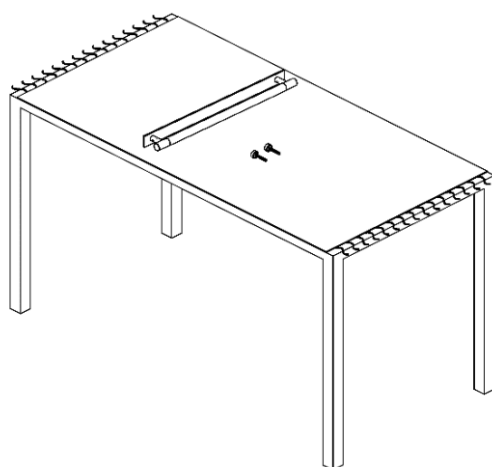
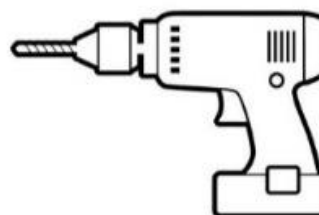
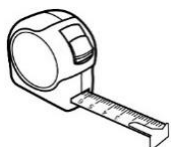
Step Wise Packing List			
S. No.	Part Number	Qty.	Steps
4	LNKY. 2.5	1x	4



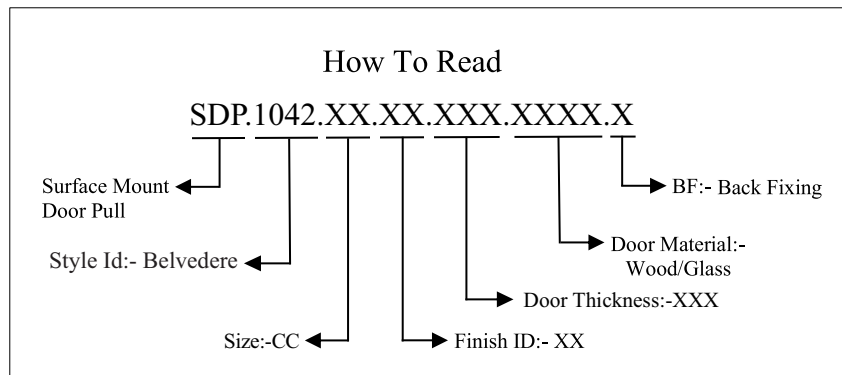
**SURFACE MOUNT BACK FIXING
HANDLE ILLUSTRATED**



Required Tools



Step Wise Packing List			
S.No.	Part Number	Qty	Steps
1	SDP.1042.XX.XX.XXX.XXXX.X	1x	1
2	SLEEVE	1x	3
3	MSCCSKPH.XX	2x	3
4	SDP.BUSH	2x	3
5	SDP.CAP	2x	4
6	LNKY. 4	1x	4
7	Manual	1x	-



SDP.1042.XX.XX.XXX.XXXX.X



MSCCSKPH.XX



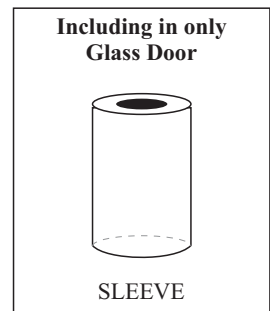
SDP.BUSH



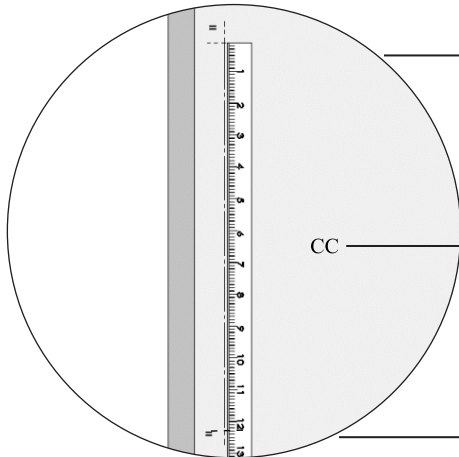
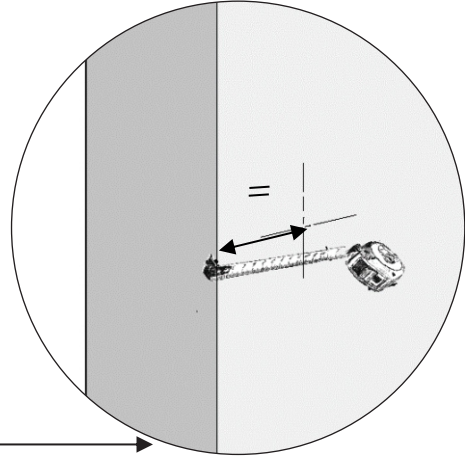
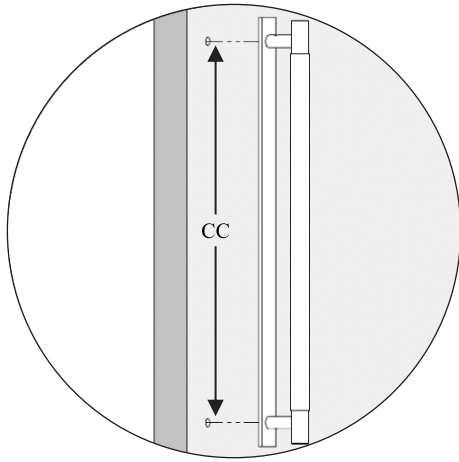
SDP.CAP



LNKY. 4

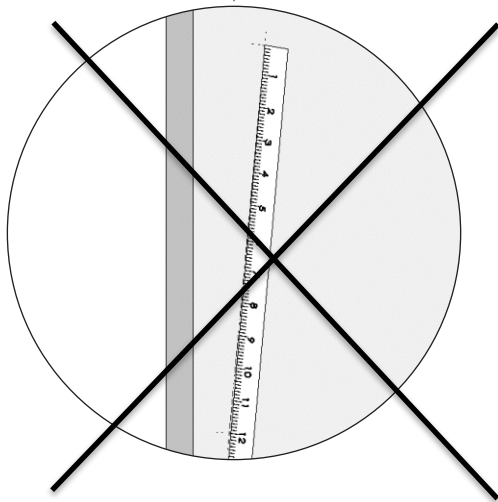
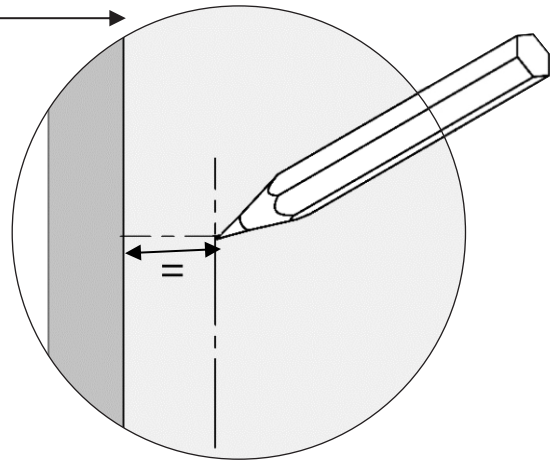


STEP-1

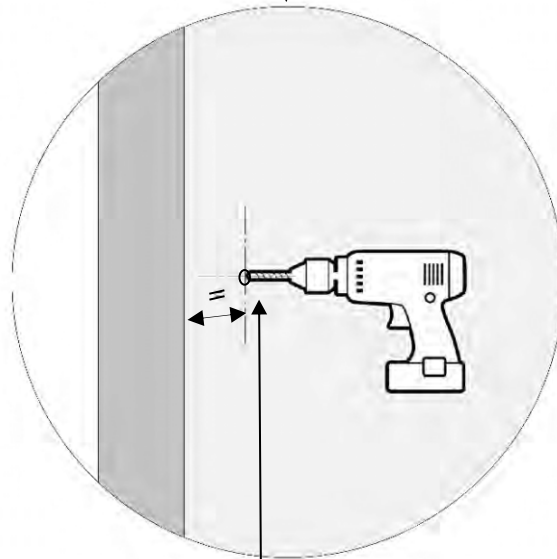
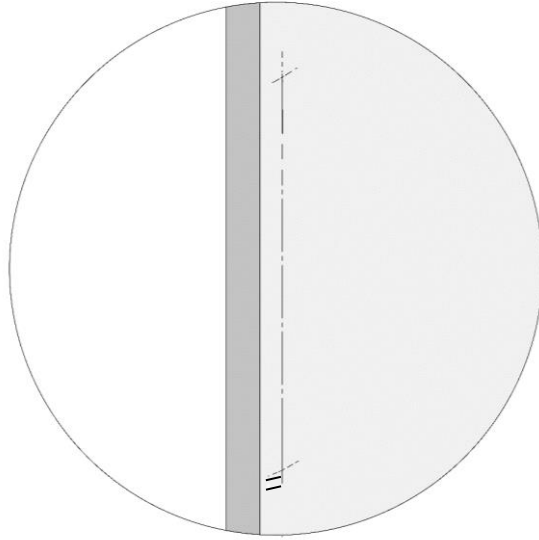


SDP.1042.XX.XX.XXX.XXXX.X

Size:-CC
12"
18"
24"
36"



STEP-2

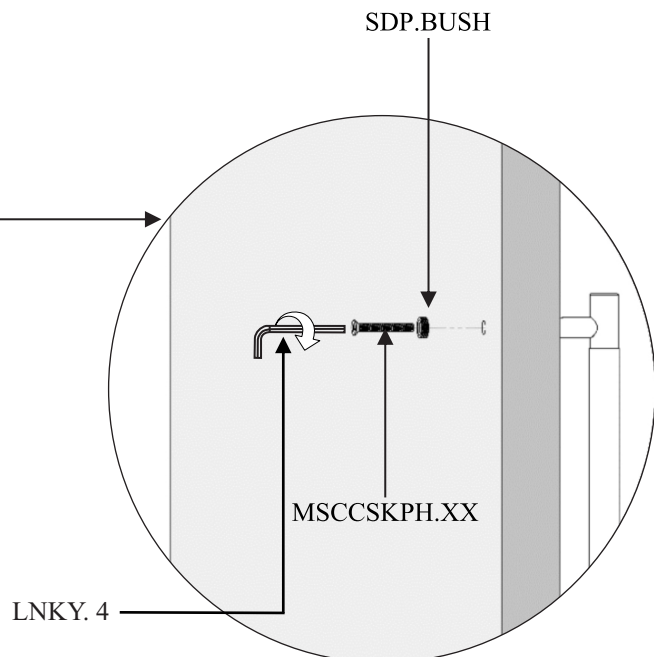
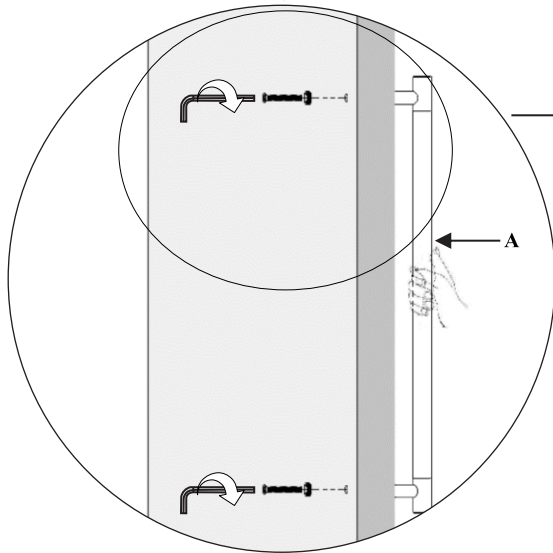
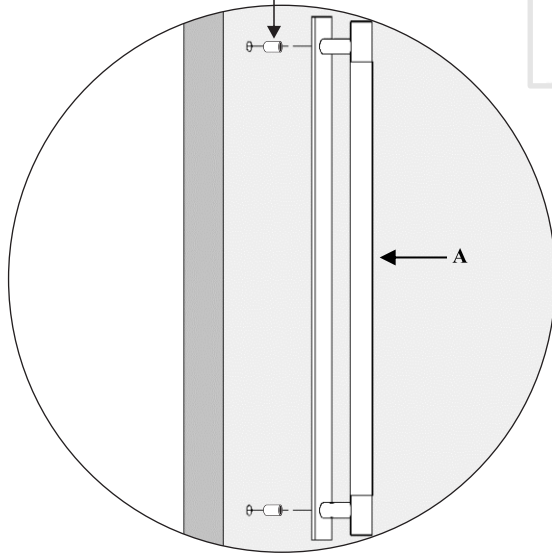
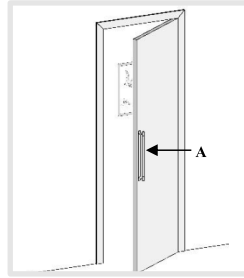


DRILL SIZE			
	Glass	Wood	Metal
SDP BF	3/8" (9.5mm)	1/4" (6.4mm)	1/4" (6.4mm)

STEP-3

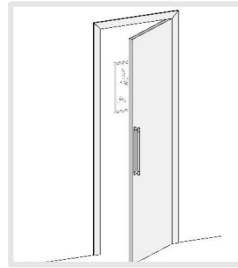
Step Wise Packing List			
S.No.	Part Number	Qty	Steps
2	SLEEVE	1x	3
3	MSCCSKPH.XX	2x	3
4	SDP.BUSH	2x	3
6	LNKY. 4	1x	3

Including only
Glass Door
use Sleeve



STEP-4

Step Wise Packing List			
S.No.	Part Number	Qty	Steps
5	SDP.CAP	2x	4



SDP.CAP

