



Satin Brass (Finish ID:13)

## MUSE SURFACE MOUNT SINGLE SIDED DOOR PULL

	Item Code	Size (mm & Inches)	Material	Size (Inches)				Fig.
				A	B	C	D	
1	SDP.1041.8".XX.XXX.XXXX.X	203.2mm (8")	Brass	8	4	7	1.15	1
2	SDP.1041.12".XX.XXX.XXXX.X	304.8mm (12")	Brass	12	6	11	1.38	1
3	SDP.1041.18".XX.XXX.XXXX.X	457.2mm (18")	Brass	18	9	17	1.50	1

"XX" in item code denotes Finish ID.

"XXX" in item code denotes Door Thickness.

"XXXX" in item code denotes Door Material.

"X" in item code denotes Front Fix or Back Fix.

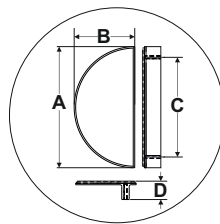


FIG. 1

This product is Supplied with Mounting Kit including with the Order.

## How to Order

**SDP.1041.8".13.WOOD.1 3/4".BF**



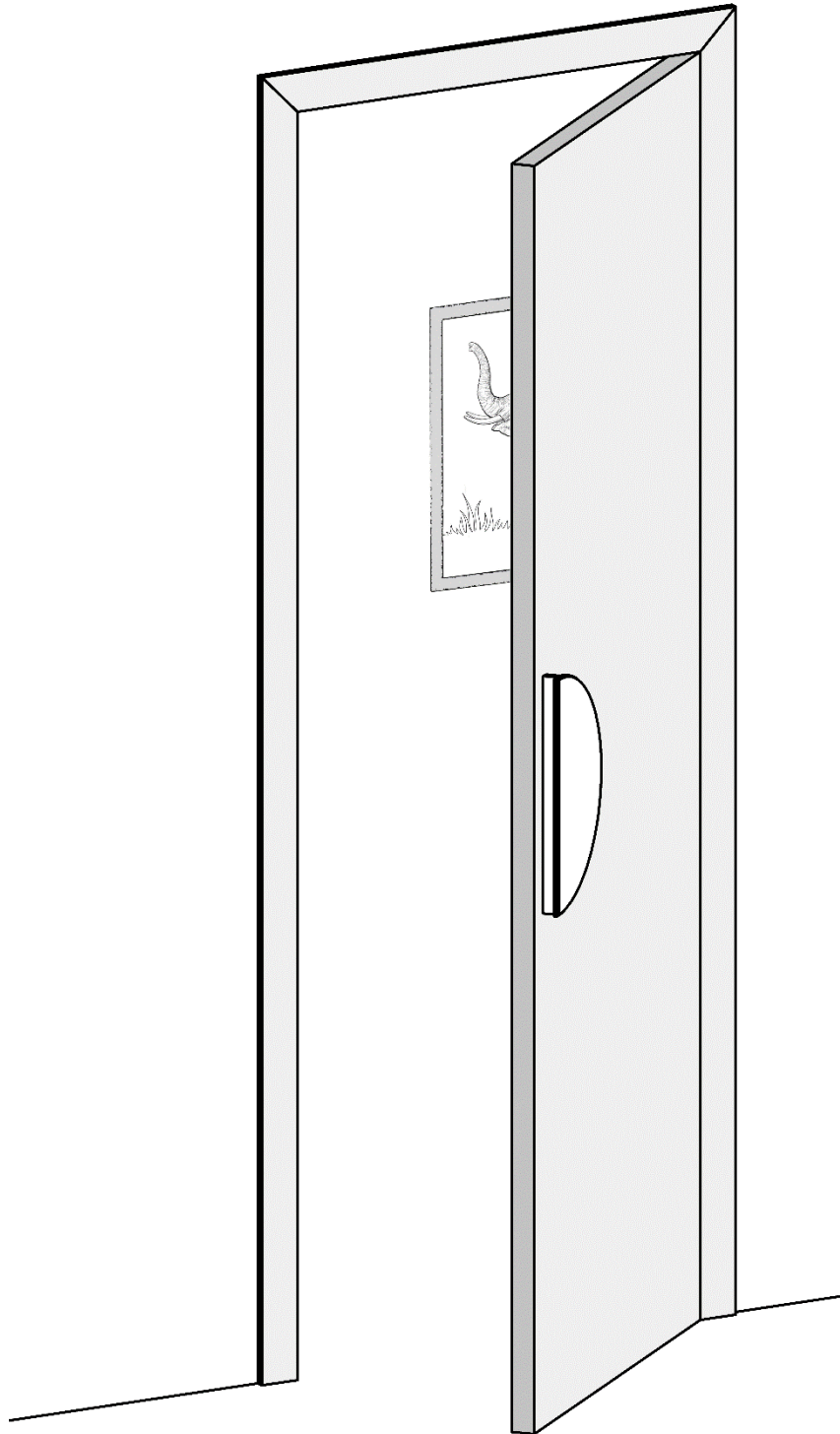
## Muse Surface Mount Single Sided Door Pull Finish Options

Base Material : Brass	Standard Finishes (2-3 Weeks Delivery)
<p>Brush Nickel (Finish ID:3)      Aged Brass (Finish ID:4)      Oil Rubbed Bronze (Finish ID:5)      Polished Nickel (Finish ID:8)      Satin Brass (Finish ID:13)</p>	
Base Material : Brass	Custom Finishes (3-4 Weeks Delivery)*
<p>Matte Black (Finish ID:19)      Rose Gold (Finish ID:33)      Graphite (Finish ID:61)      Titanium (Finish ID:79)      Ombre (Finish ID:92)      Brush Chrome (Finish ID:95)      Leopard Hammered over Brush Nickel (Finish ID:99-3)</p> <p>Leopard Hammered over Aged Brass (Finish ID:99-4)      Leopard Hammered over Oil Rubbed Bronze (Finish ID:99-5)      Leopard Hammered over Polished Nickel (Finish ID:99-8)      Leopard Hammered over Satin Brass (Finish ID:99-13)      Leopard Hammered over Rose Gold (Finish ID:99-33)</p>	
Base Material : Bronze	Custom Finishes (3-4 Weeks Delivery)*
<p>Silicon Bronze Light (Finish ID:53)      Silicon Bronze Dark (Finish ID:53D)      White Bronze (Finish ID:54)</p>	

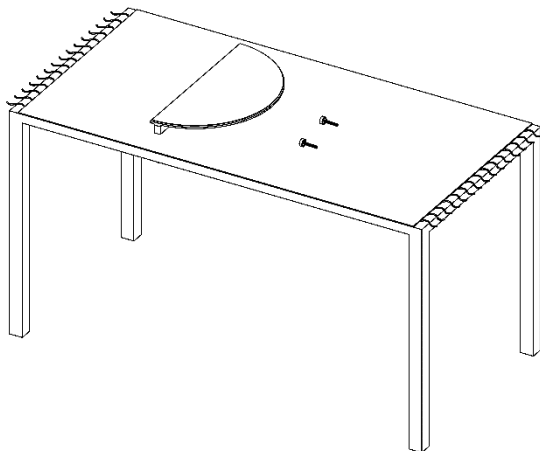
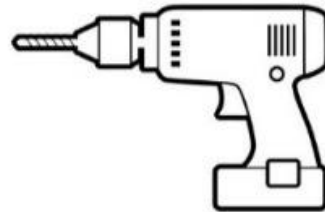
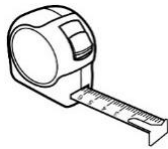
<b>Front Fix (FF)</b>	
Door Material	Door Thickness
1. Wood	1", 1 1/4", 1 1/2", 1 3/4", 2", 2 1/4", 2 1/2"
2. Metal	1", 1 1/4", 1 1/2", 1 3/4", 2", 2 1/4", 2 1/2"
<b>Back Fix (BF)</b>	
Door Material	Door Thickness
1. Wood	5/16", 3/8", 1/2", 3/4", 1", 1 1/4", 1 1/2", 1 3/4", 2", 2 1/4", 2 1/2"
2. Metal	5/16", 3/8", 1/2", 3/4", 1", 1 1/4", 1 1/2", 1 3/4", 2", 2 1/4", 2 1/2"
3. Glass	5/16", 3/8", 1/2", 3/4", 1"

- Custom finishes cannot be returned or refunded. We are unable to accept cancellations for custom finish order unless within 48 hours of the order being placed.
- We have uniform pricing for all non-hammered finishes listed above as long as base material and size is same.
- Contact us for customized finishes, refer pages F1, F2, F3 & F4 for finish glossary.

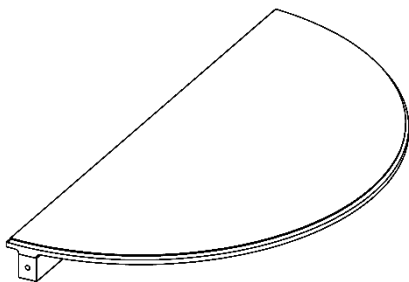
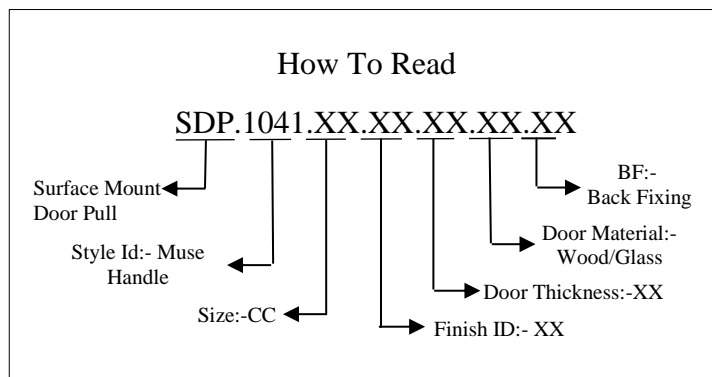
**SURFACE MOUNT BACK FIXING  
SINGLE SIDED HANDLE ILLUSTRATED**



### Required Tools



Step Wise Packing List			
S No	Part Number	Qty	Steps
1	SDP.1041.XX.XX.XX.XX.XX	1x	1
2	MSCCSKPH.XX	2x	3
3	SDP.BUSH	2x	3
4	SDP.CAP	2x	4
5	Manual	1x	-



SDP.1041.XX.XX.XX.XX.XX



MSCCSKPH.XX

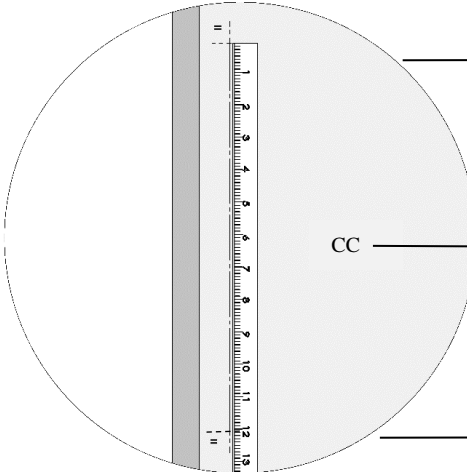
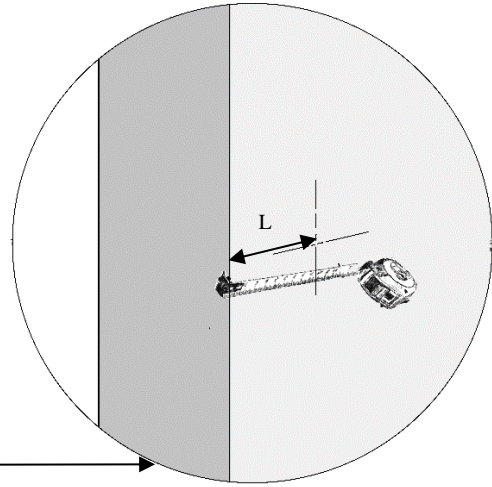
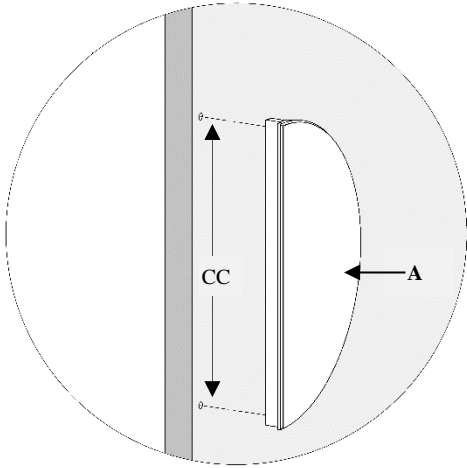


SDP.BUSH



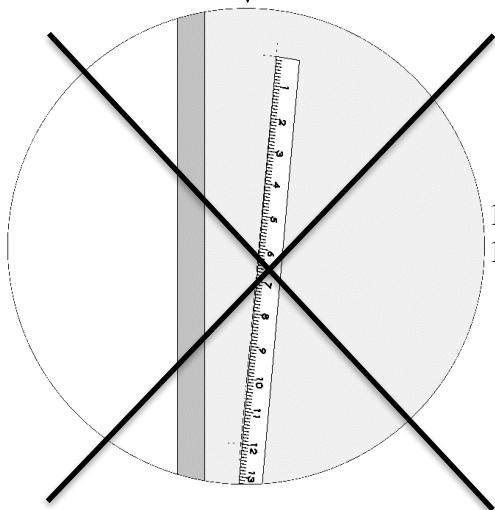
SDP.CAP

STEP-1

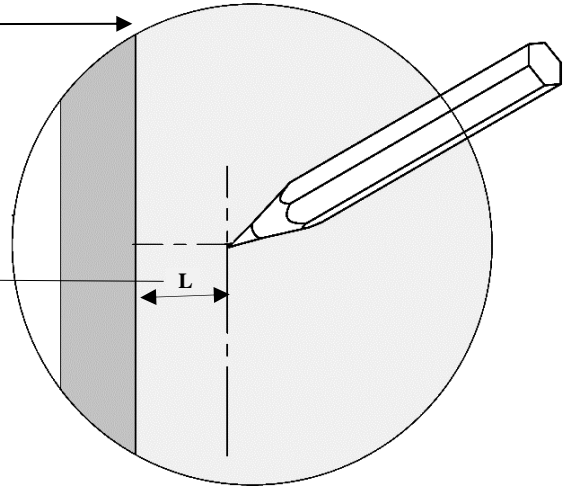


SDP.1041.XX.XX.XX.XX.XX

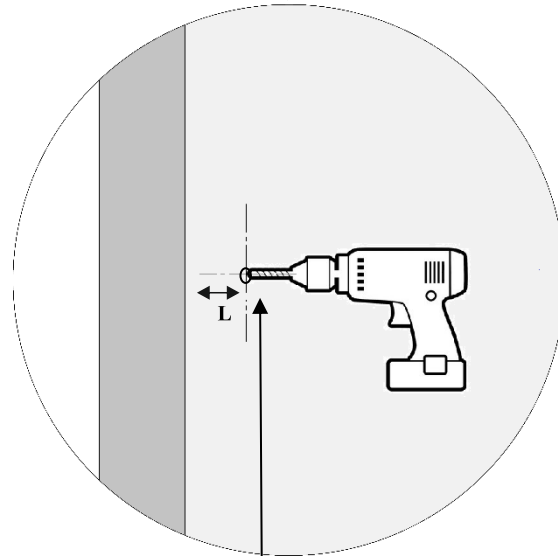
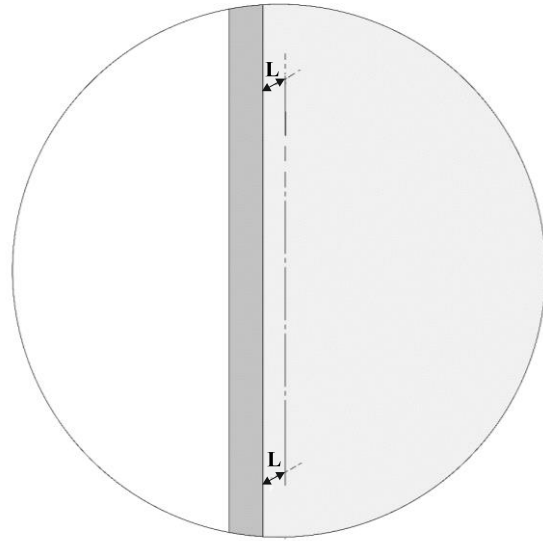
Size:-CC  
12"  
18"



12"cc = 20mm  
18"cc = 22mm



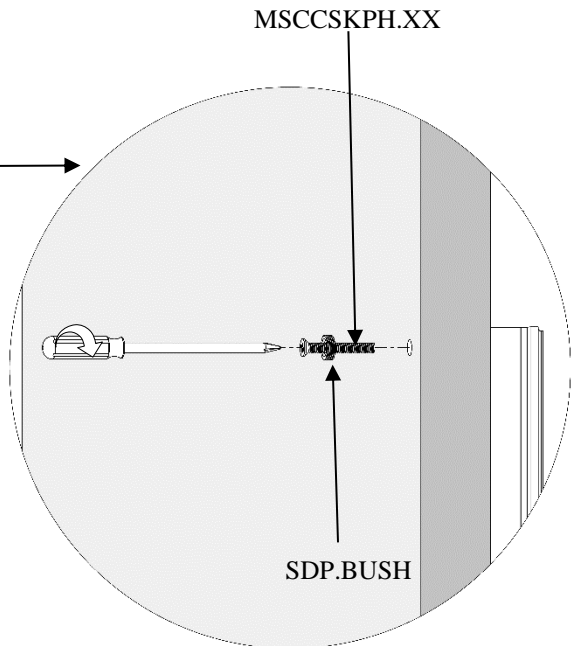
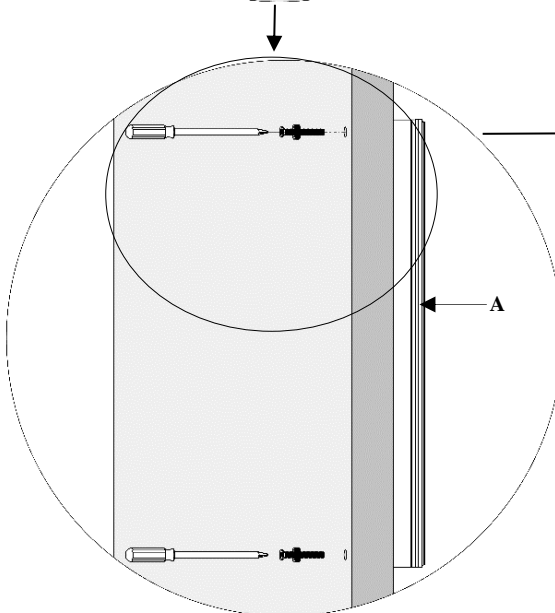
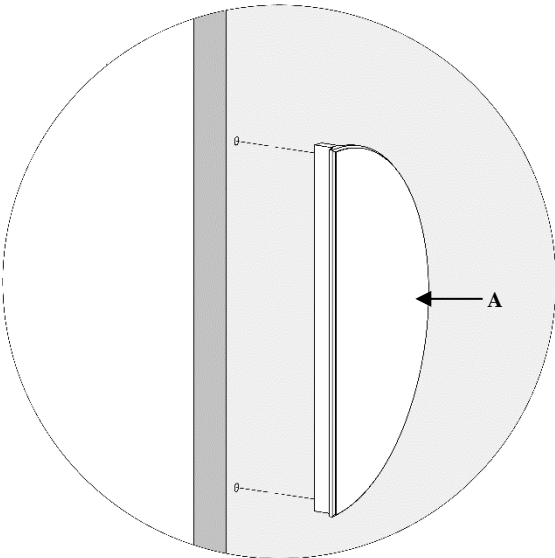
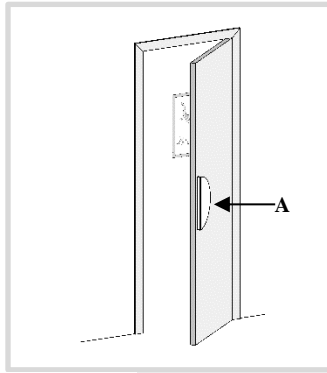
STEP-2



Drill  $\varnothing$  6.5 mm  $\frac{+0.40}{-0.00}$

$\frac{1}{4}$ "  $\frac{1/64"}{-0.00}$

STEP-3





STEP-4

