



Aged Brass (Finish ID:4)

THE GABBA SURFACE MOUNT DOOR PULL

Item Code	Size (mm & Inches)	Material	Size (Inches)				Fig.
			A	B	C	D	
1 SDP.1012.6".XX.XXX.XXXX.X	152.4mm (6")	Brass	6	0.65	2.36	1.48	1

"XX" in item code denotes Finish ID.

"XXX" in item code denotes Door Thickness.

"XXXX" in item code denotes Door Material.

"X" in item code denotes Front Fix or Back Fix.

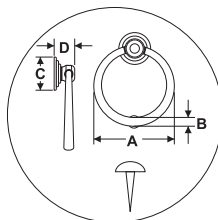
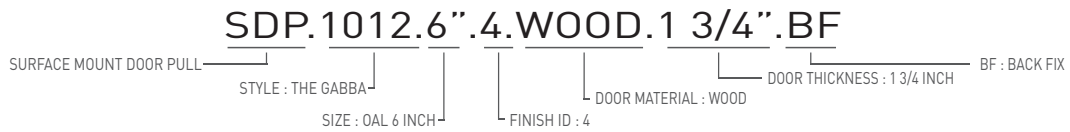


FIG. 1

This product is Supplied with Based on Front Fix or Back Fix Order.

How to Order



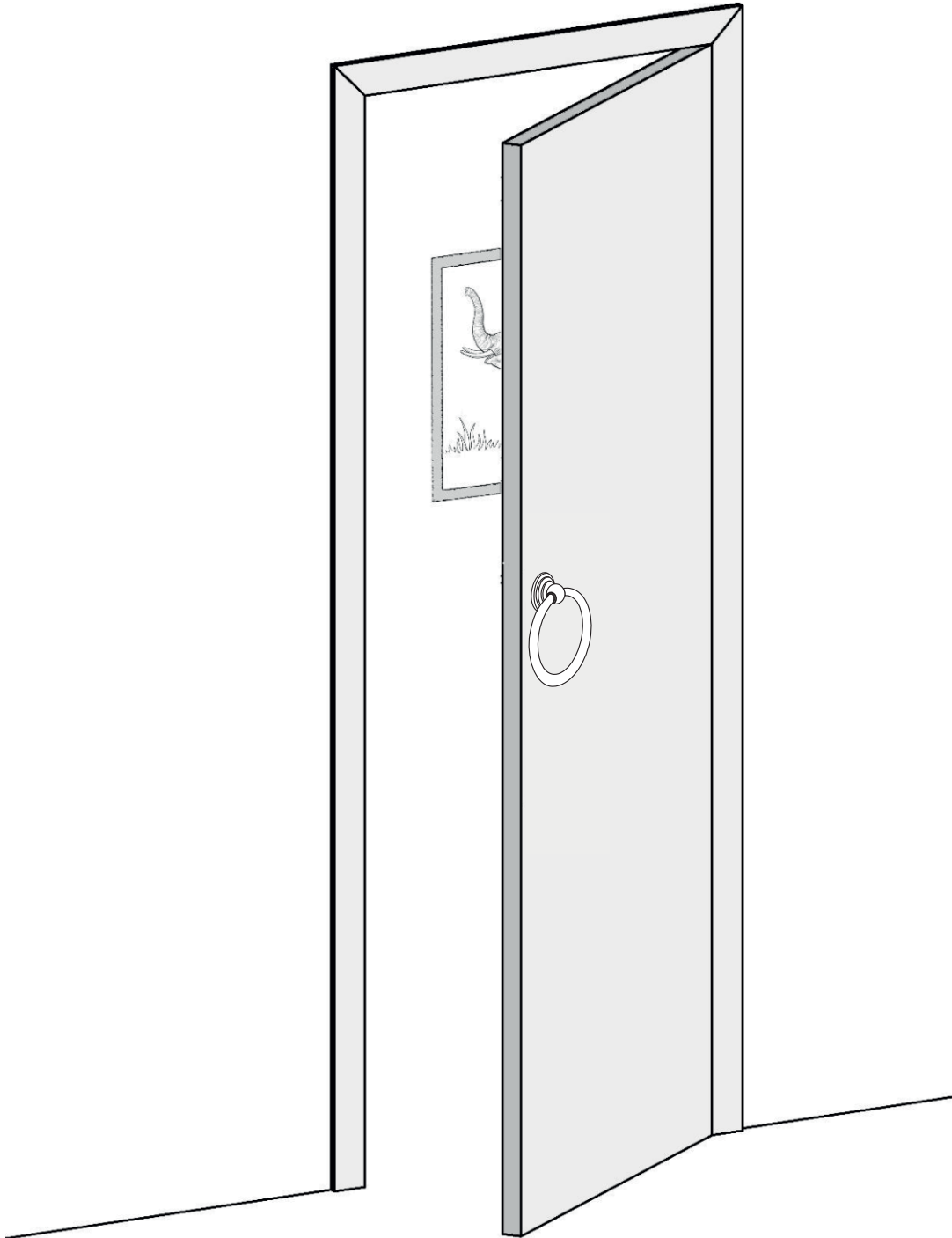
The Gabba Surface Mount Door Pull Finish Options

Base Material : Brass		Standard Finishes (2-3 Weeks Delivery)			
					
Bright Chrome (Finish ID:2)	Brush Nickel (Finish ID:3)	Aged Brass (Finish ID:4)	Unlacquered PB (Finish ID:7U)	Polished Nickel (Finish ID:8)	Satin Brass (Finish ID:13)
Base Material : Brass		Custom Finishes (3-4 Weeks Delivery)*			
					
Lacquered Polished Brass (Finish ID:7L)	Matte Black (Finish ID:19)	Graphite (Finish ID:61)	Ombre (Finish ID:92)	Brush Chrome (Finish ID:95)	

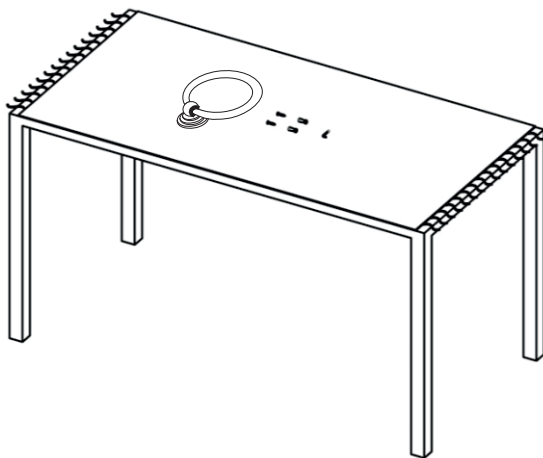
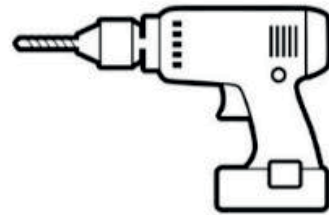
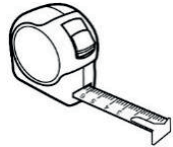
Front Fix (FF)	
Door Material	Door Thickness
1. Wood	1", 1 1/4", 1 1/2", 1 3/4", 2", 2 1/4", 2 1/2"
2. Metal	1", 1 1/4", 1 1/2", 1 3/4", 2", 2 1/4", 2 1/2"
Back Fix (BF)	
Door Material	Door Thickness
1. Wood	5/16", 3/8", 1/2", 3/4", 1", 1 1/4", 1 1/2", 1 3/4", 2", 2 1/4", 2 1/2"
2. Metal	5/16", 3/8", 1/2", 3/4", 1", 1 1/4", 1 1/2", 1 3/4", 2", 2 1/4", 2 1/2"
3. Glass	5/16", 3/8", 1/2", 3/4", 1"

- Custom finishes cannot be returned or refunded. We are unable to accept cancellations for custom finish order unless within 48 hours of the order being placed.
- We have uniform pricing for all non-hammered finishes listed above as long as base material and size is same.
- Contact us for customized finishes, refer pages F1, F2, F3 & F4 for finish glossary.

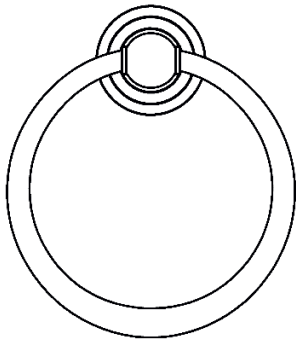
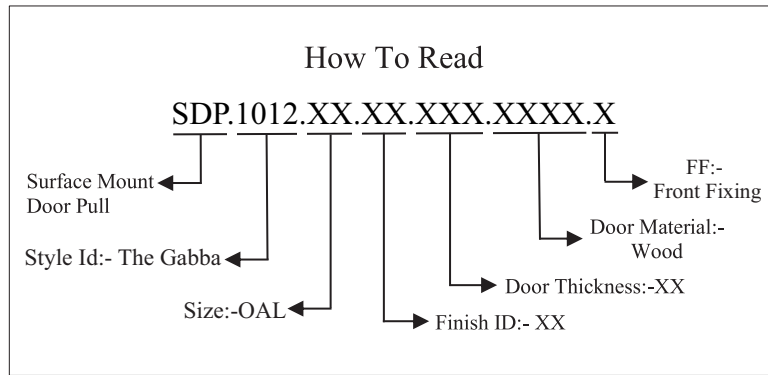
**SURFACE MOUNT FRONT FIXING
HANDLE ILLUSTRATED**



Required Tools



Step Wise Packing List			
S. No.	Part Number	Qty.	Steps
1	SDP.1012.XX.XX.XXX.XXXX.X	1x	1
2	MSCCSKPH.XX	1x	3
3	SDP.FFPIN	1x	3
4	LNKY.2.5	1x	3
5	RIVET	1x	4
6	Manual	1x	-



SDP.1012.XX.XX.XXX.XXXX.X



SDP.FFPIN



WSSCSKPFH.XX

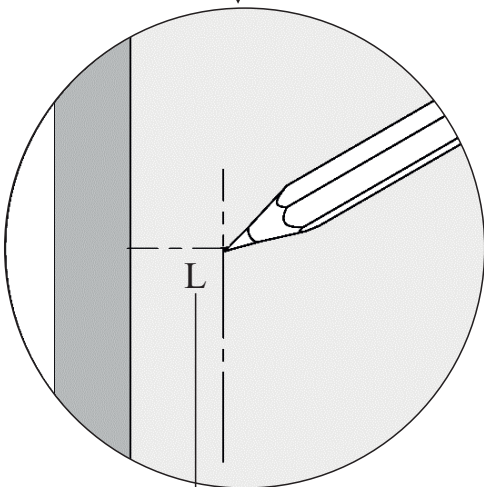
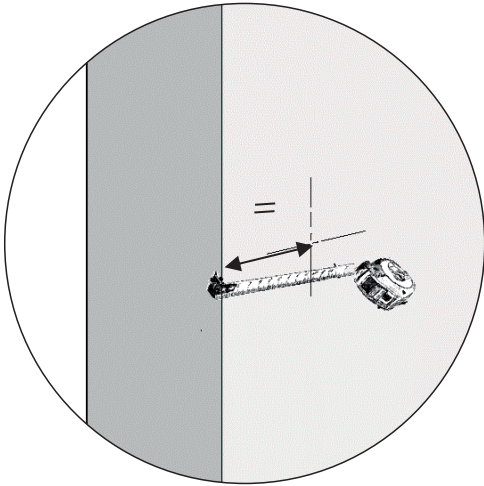


LNKY.2.5

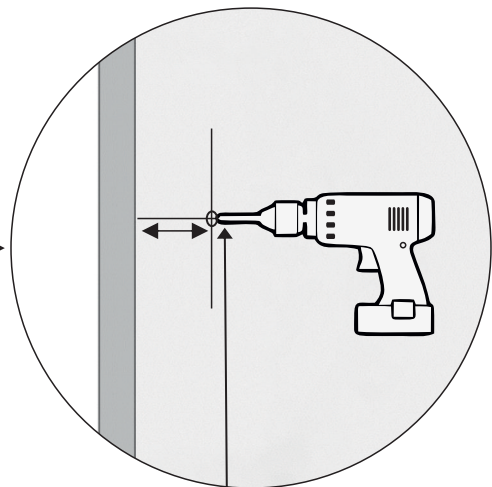


RIVET

STEP-1



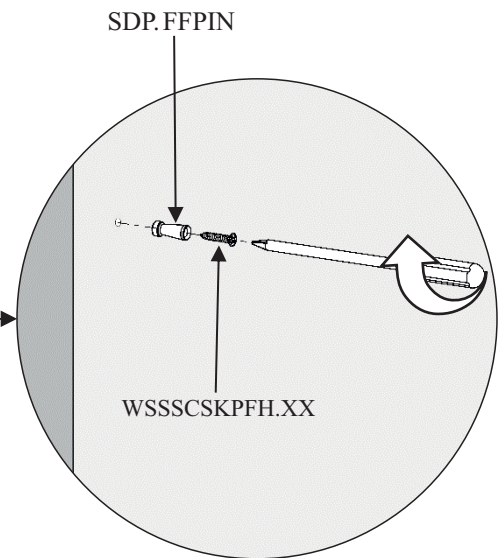
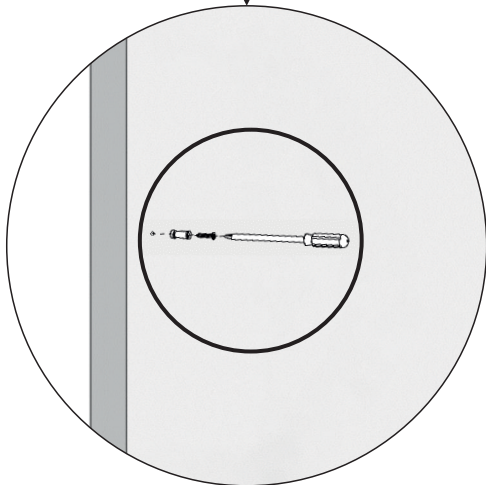
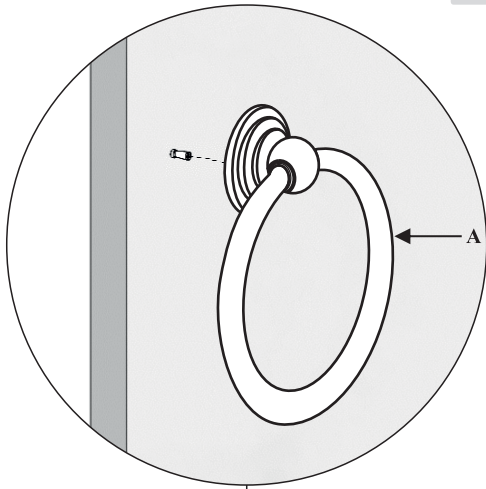
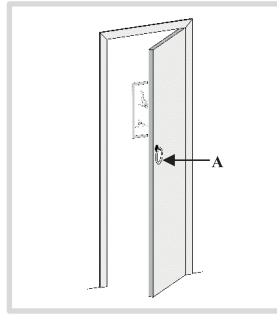
Size: OAL = L
 ↓ ↓
 6" 25mm



DRILL SIZE			
	Glass	Wood	Metal
SDP FF	N/A	1/10" (2.5mm)	N/A

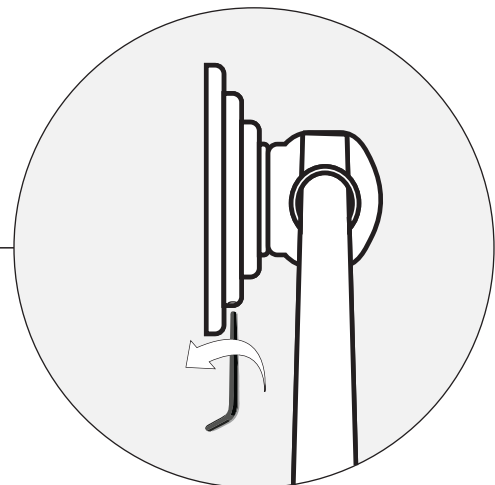
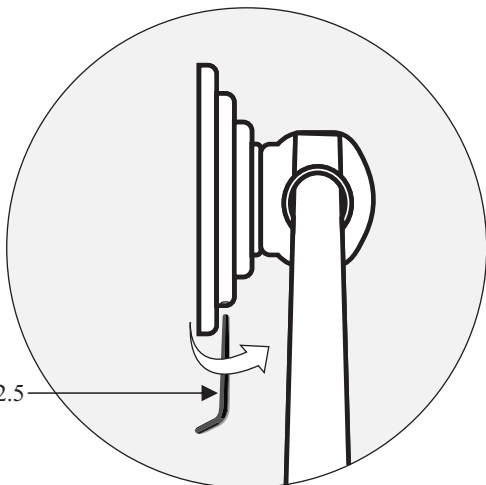
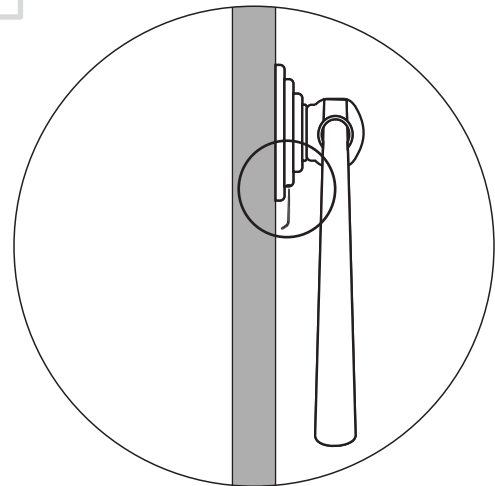
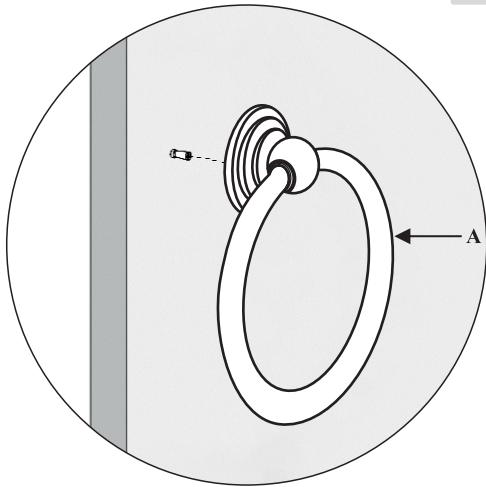
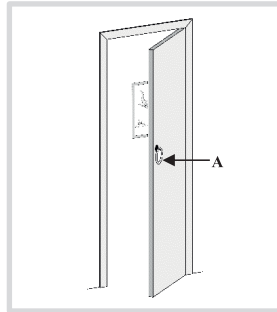
STEP-2

Step Wise Packing List			
S.No.	Part Number	Qty	Steps
2	WSSCSKPFH.XX	1x	2
3	SDP.FFPIN	1x	2



STEP-3

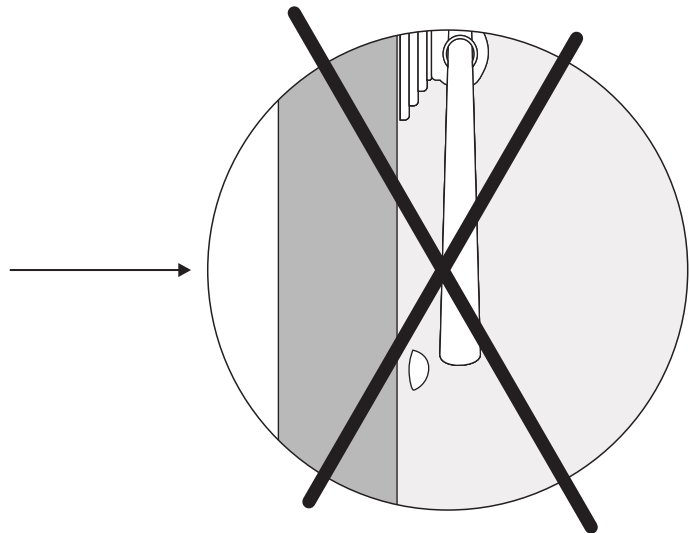
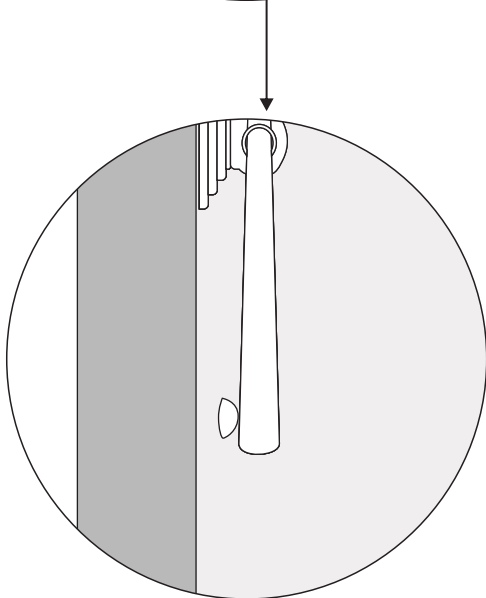
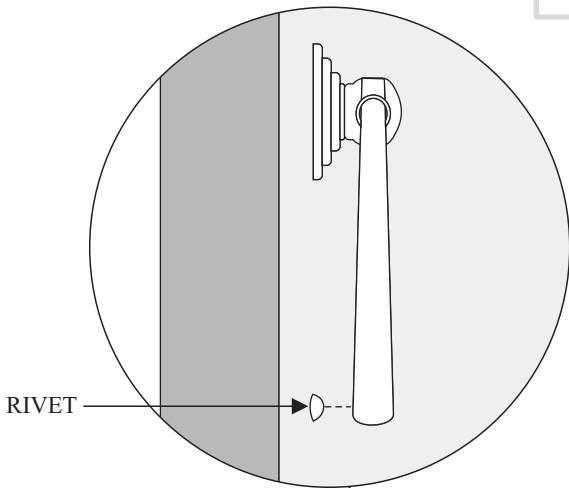
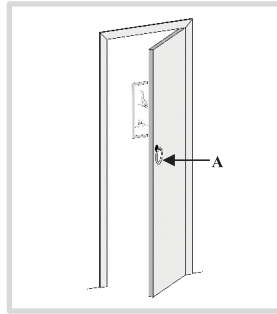
Step Wise Packing List			
S.No.	Part Number	Qty	Steps
4	LNKY .2.5	1x	3



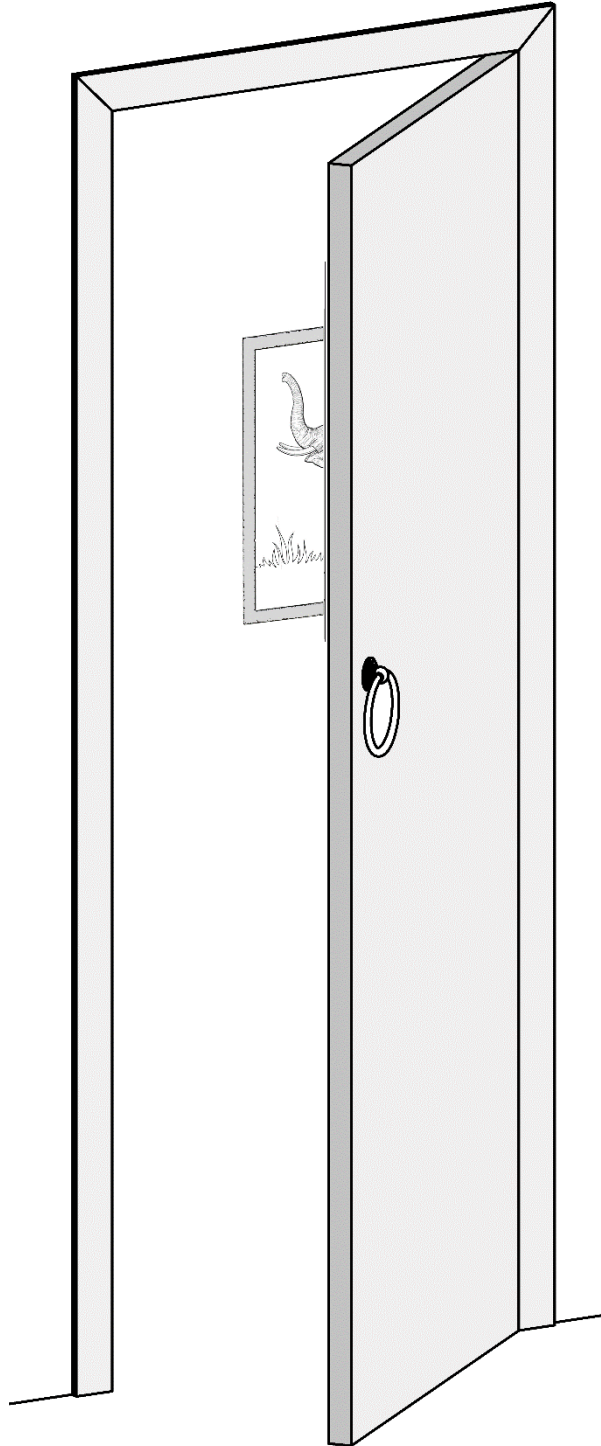
LNKY:- 2.5

STEP-4

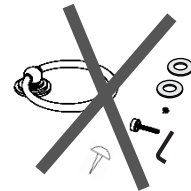
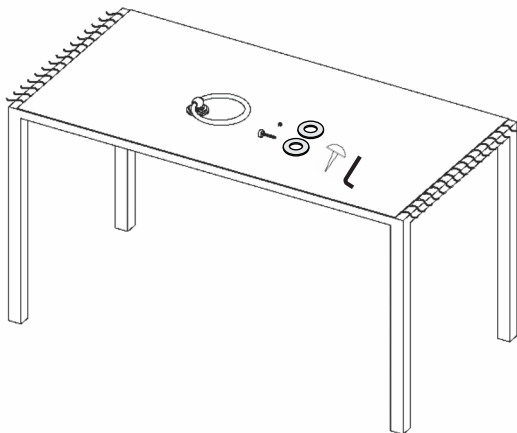
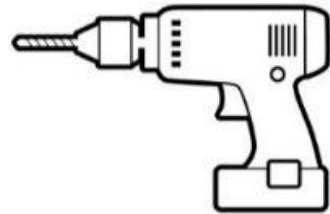
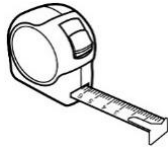
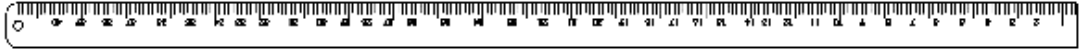
Step Wise Packing List			
S.No.	Part Number	Qty	Steps
5	RIVET	1x	4



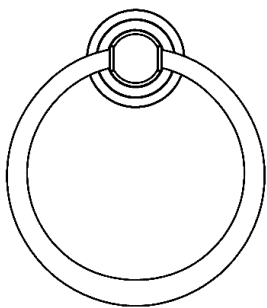
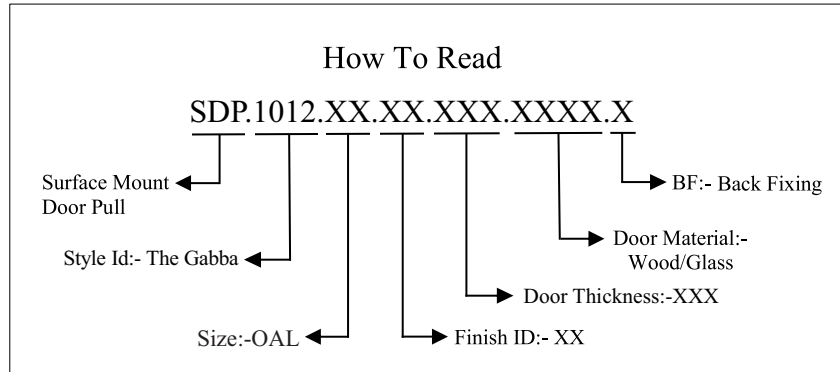
**SURFACE MOUNT BACK FIXING
HANDLE ILLUSTRATED**



Required Tools



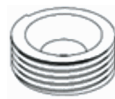
Step Wise Packing List			
S. No.	Part Number	Qty.	Steps
1	SDP.1012.XX.XX.XXX.XXXX.X	1x	1
2	SLEEVE	1x	3
3	MSCCSKPH.XX	1x	3
4	SDP.BUSH	1x	3
5	WASHER	2x	3
6	LNKY.3	1x	3
7	SDP.CAP	1x	4
8	RIVET	1x	5
9	Manual	1x	-



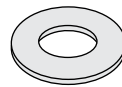
SDP.1012.XX.XX.XXX.XXXX.X



MSCCSKPH.XX



SDP.BUSH



WASHER



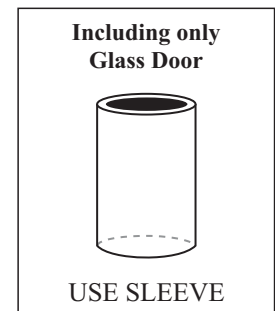
LNKY.4



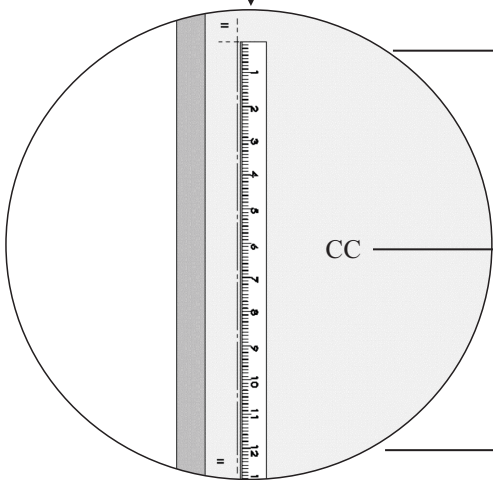
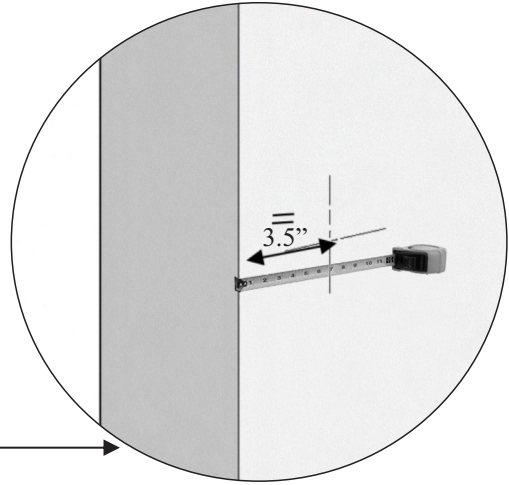
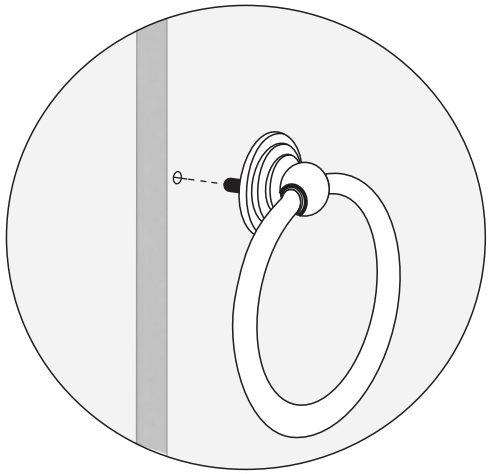
SDP.CAP



RIVET

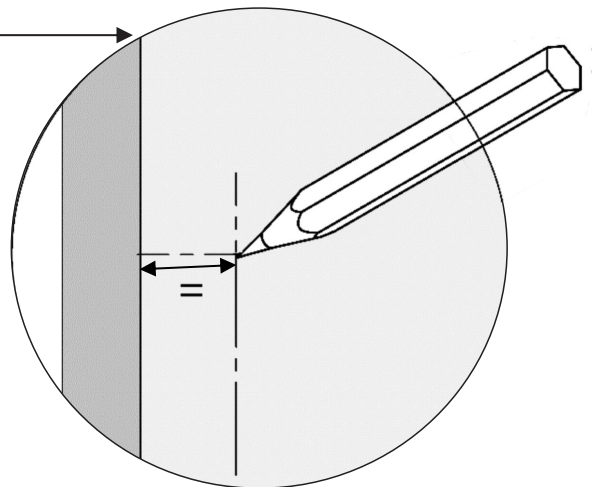
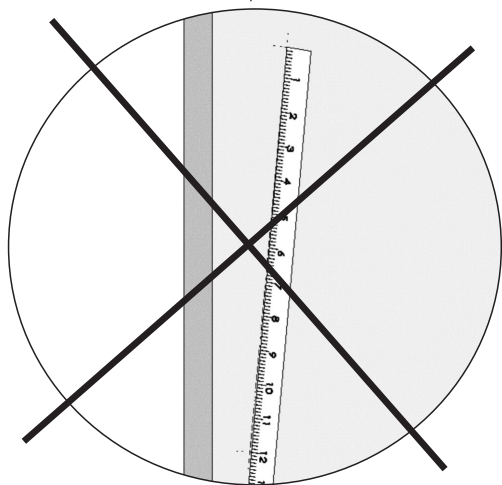


STEP-1

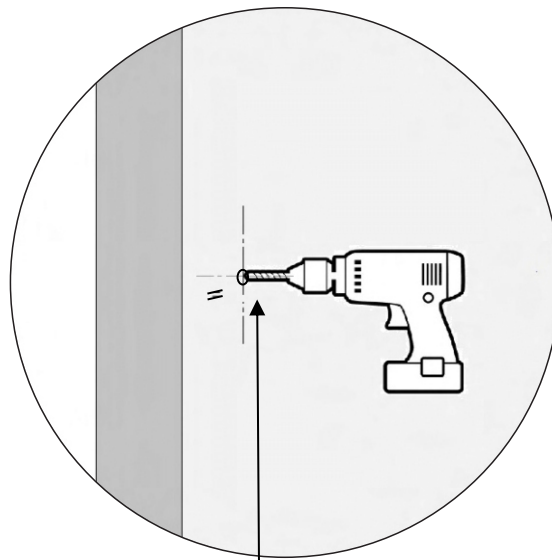
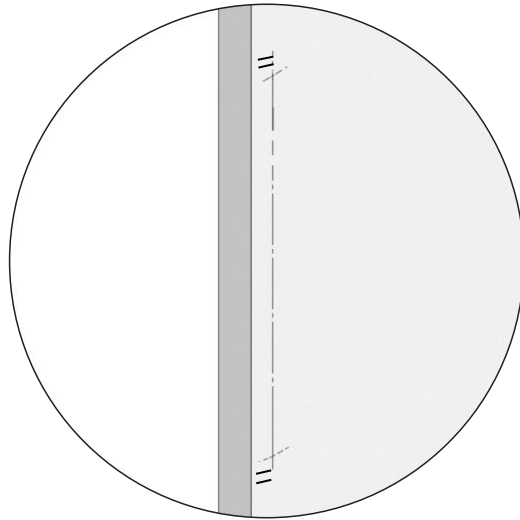


SDP.1012.XX.XX.XXX.XXXX.X

Size-OAL
6"



STEP-2



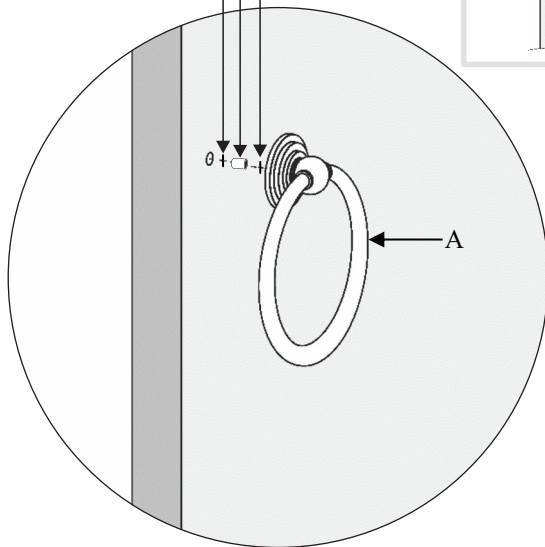
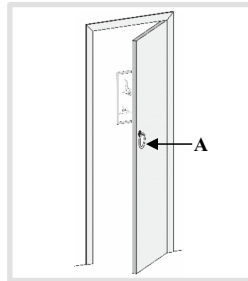
DRILL SIZE			
	Glass	Wood	Metal
SDP BF	3/8" (9.5mm)	1/4" (6.4mm)	1/4" (6.4mm)

STEP-3

Step Wise Packing List			
S.No.	Part Number	Qty	Steps
2	SLEEVE	1x	3
3	MSCCSKPH.XX	1x	3
4	SDP.BUSH	1x	3
5	WASHER	2x	3
6	LNKY.3	1x	3

Including only
Glass Door
use Sleeve

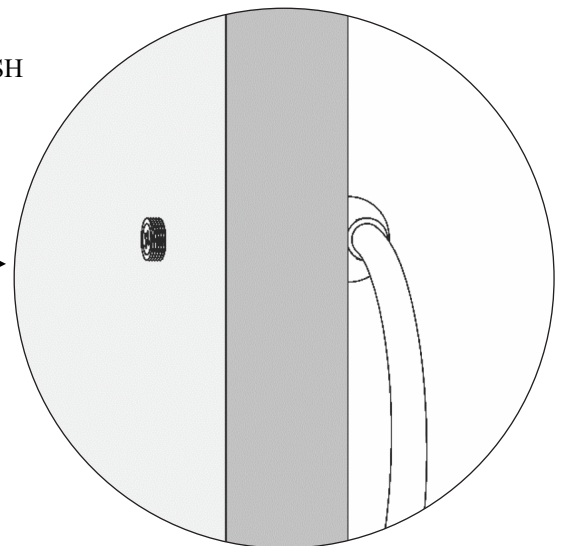
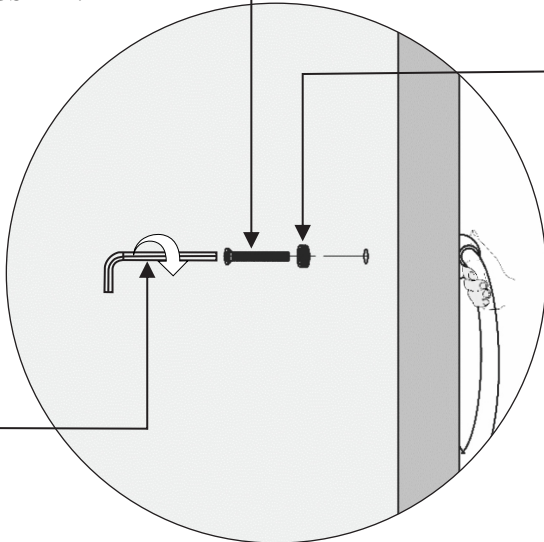
Washer Washer



MSCCSKPH.XX

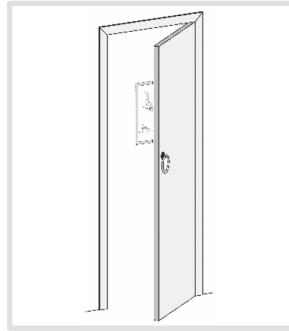
SDP.BUSH

LNKY.3

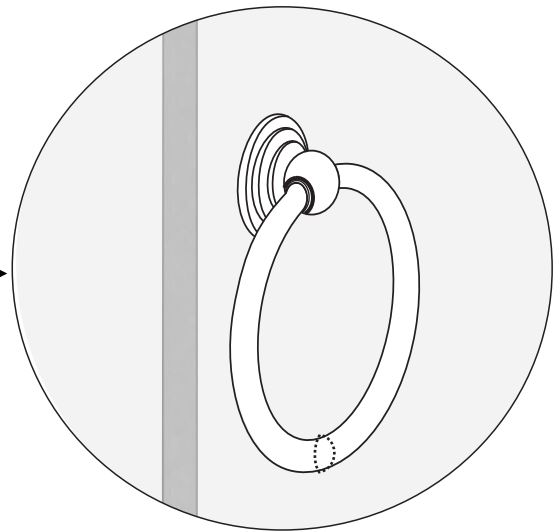
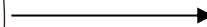
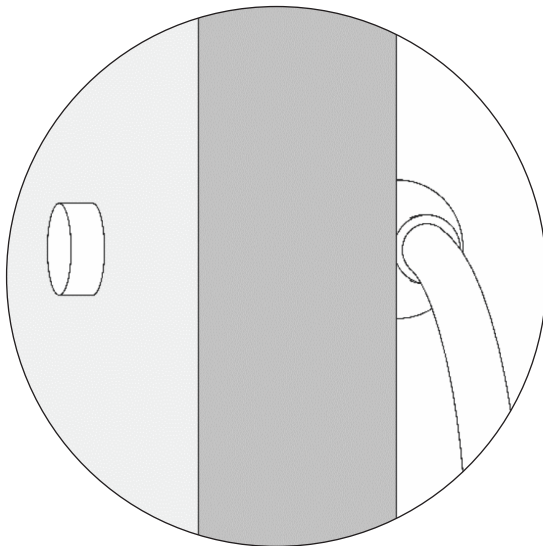
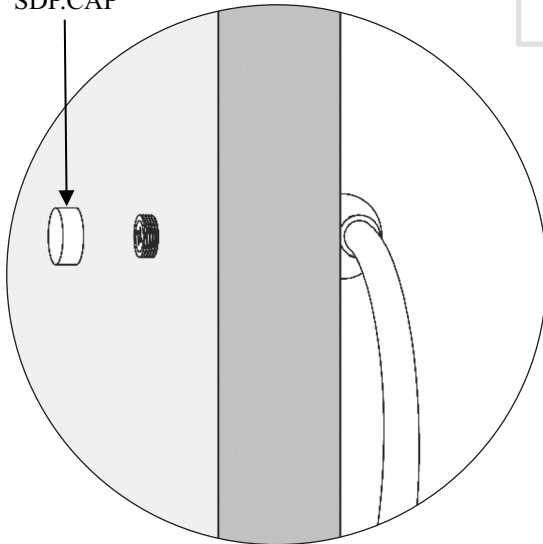


STEP-4

Step Wise Packing List			
S.No.	Part Number	Qty	Steps
7	SDP.CAP	1x	4



SDP.CAP



STEP-5

Step Wise Packing List			
S.No.	Part Number	Qty	Steps
8	RIVET	1x	5

