



Satin Brass (Finish ID:13)

OAKRIDGE SURFACE MOUNT SIDE BY SIDE DOOR PULL

	Item Code	Size (mm & Inches)	Material	Size (Inches)				Fig.
				A	B	C	D	
1	SDP.1008.9".XX.XXX.XXXX.X	228.6mm (9")	Brass	14	3	9	0.45	1
2	SDP.1008.9".XX.XXX.XXXX.X	228.6mm (9")	Bronze	14	3	9	0.45	1

"XX" in item code denotes Finish ID.

"XXX" in item code denotes Door Thickness.

"XXXX" in item code denotes Door Material.

"X" in item code denotes Front Fix or Back Fix.

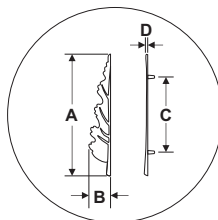


FIG. 1

This product is Supplied with Based on Front Fix or Back Fix Order.

How to Order

SDP.1008.9".13.WOOD.1 3/4".BF



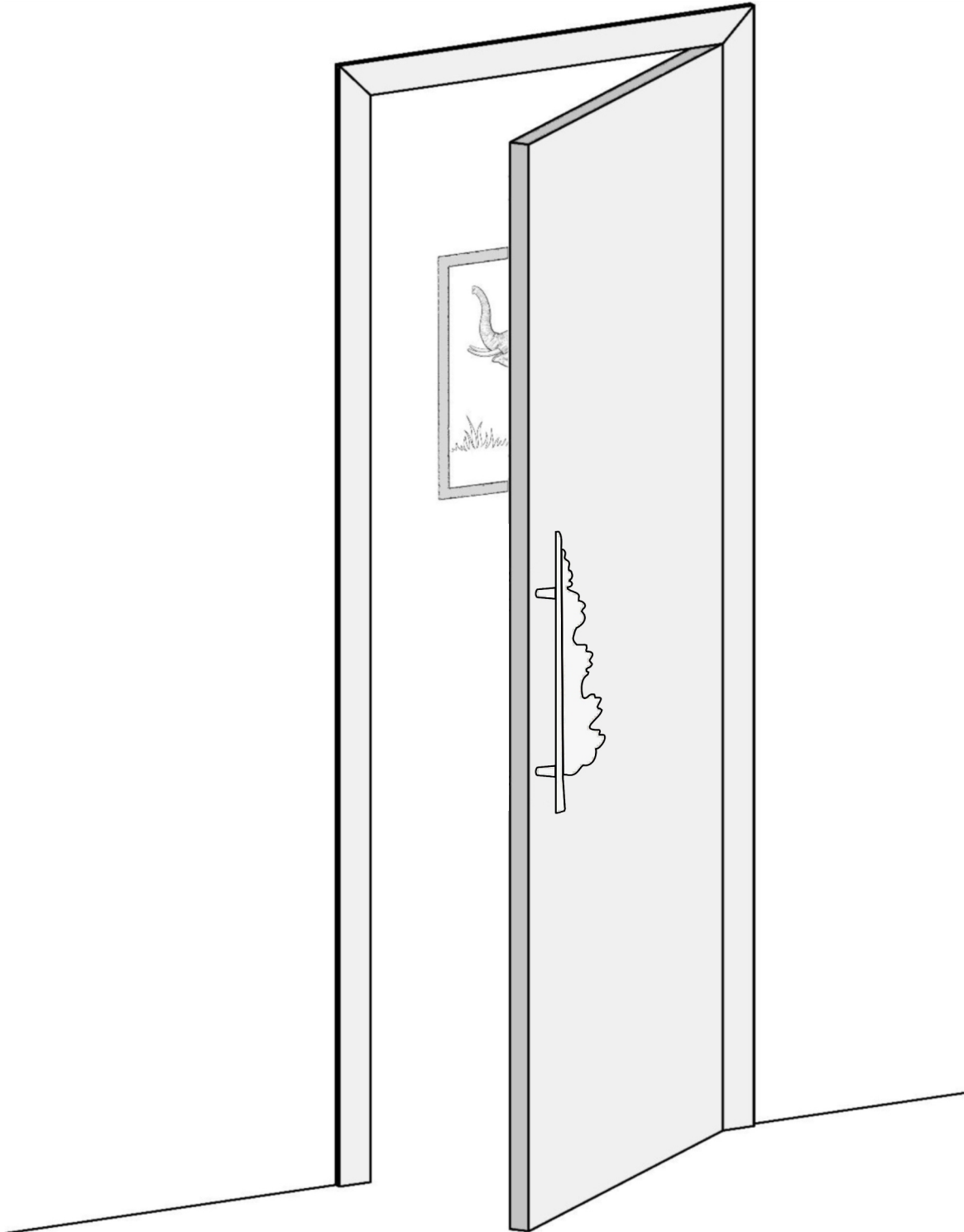
Oakridge Surface Mount Side By Side Door Pull Finish Options

Base Material : Brass	Standard Finishes (2-3 Weeks Delivery)
Base Material : Brass	Custom Finishes (3-4 Weeks Delivery)*
Base Material : Bronze	Custom Finishes (3-4 Weeks Delivery)*

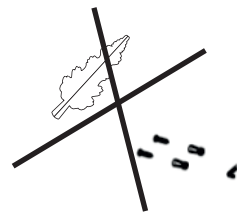
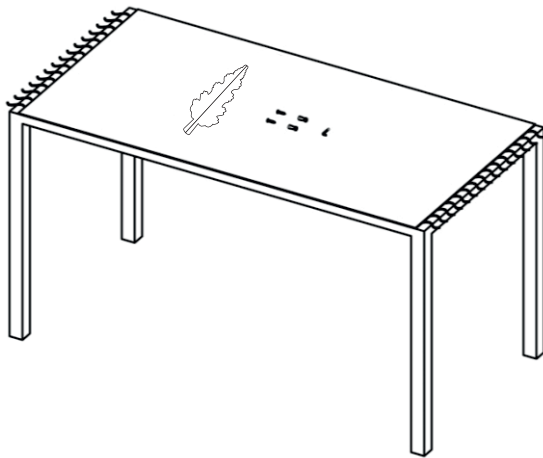
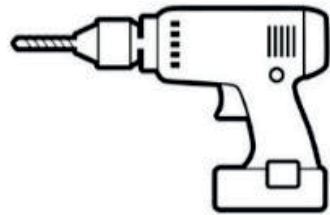
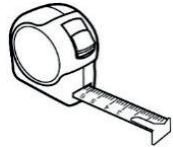
Front Fix (FF)	
Door Material	Door Thickness
1. Wood	1", 1 1/4", 1 1/2", 1 3/4", 2", 2 1/4", 2 1/2"
2. Metal	1", 1 1/4", 1 1/2", 1 3/4", 2", 2 1/4", 2 1/2"
Back Fix (BF)	
Door Material	Door Thickness
1. Wood	5/16", 3/8", 1/2", 3/4", 1", 1 1/4", 1 1/2", 1 3/4", 2", 2 1/4", 2 1/2"
2. Metal	5/16", 3/8", 1/2", 3/4", 1", 1 1/4", 1 1/2", 1 3/4", 2", 2 1/4", 2 1/2"
3. Glass	5/16", 3/8", 1/2", 3/4", 1"

- Custom finishes cannot be returned or refunded. We are unable to accept cancellations for custom finish order unless within 48 hours of the order being placed.
- We have uniform pricing for all non-hammered finishes listed above as long as base material and size is same.
- Contact us for customized finishes, refer pages F1, F2, F3 & F4 for finish glossary.

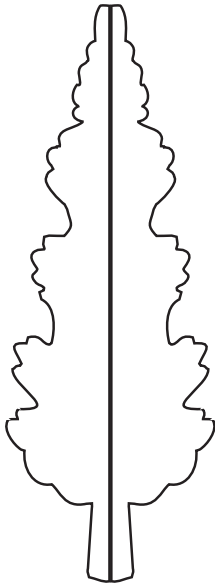
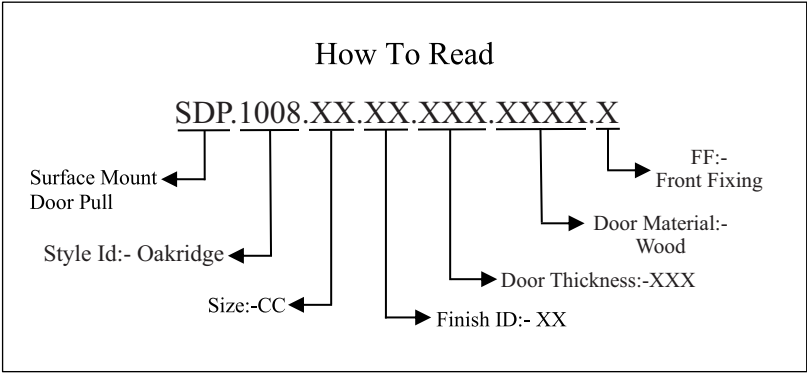
**SURFACE MOUNT FRONT FIXING
HANDLE ILLUSTRATED**



Required Tools



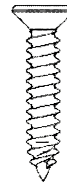
Step Wise Packing List			
S. No.	Part Number	Qty.	Steps
1	SDP.1008.XX.XX.XXX.XXXX.X	1x	1
2	SDP.FFPIN	2x	3
3	WSSSCSKPFH.XX	2x	3
4	LNKY. 2.5	1x	4
5	Manual	1x	-



SDP.1008.XX.XX.XXX.XXXX.X



SDP.FFPIN

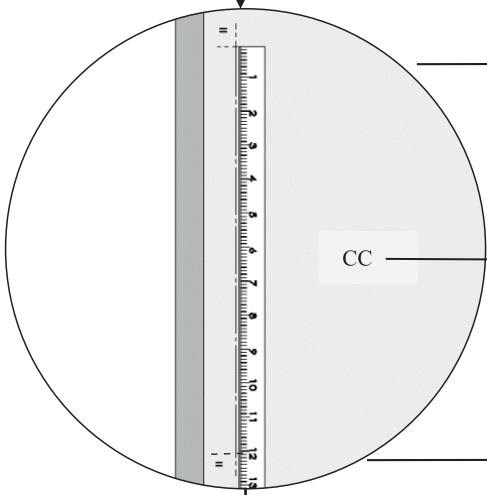
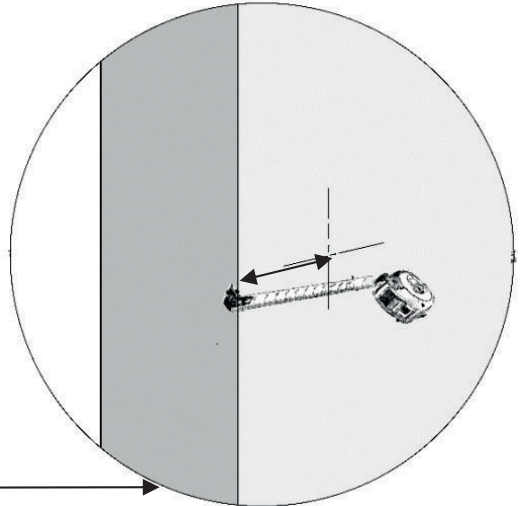
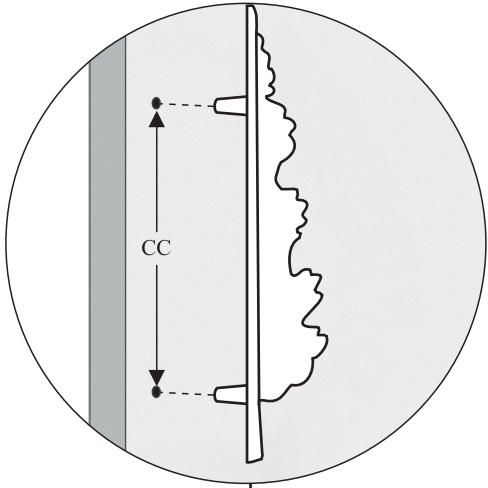


WSSSCSKPFH.XX



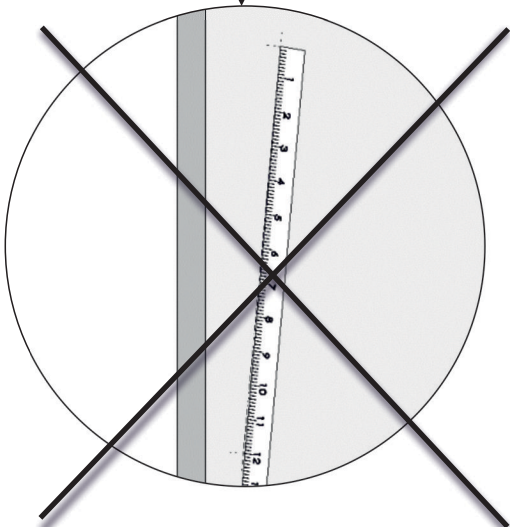
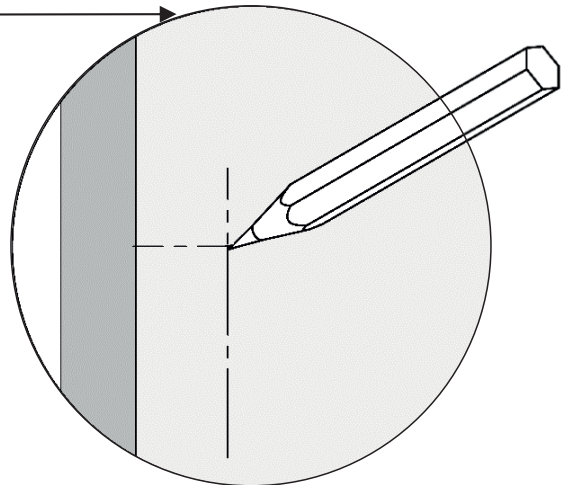
LNKY. 2.5

STEP-1

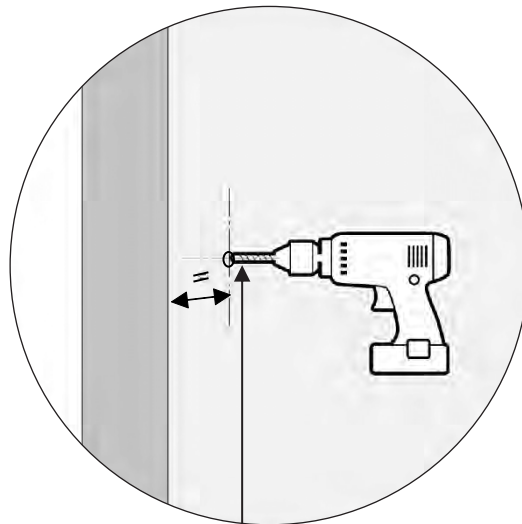
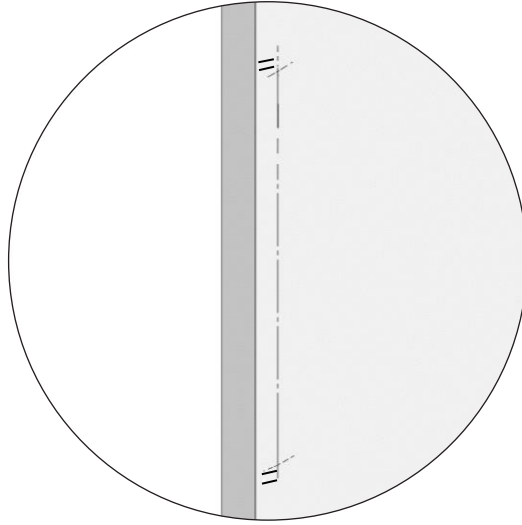


SDP.1008.XX.XX.XXX.XXXX.X

Size:-CC
↓
9"



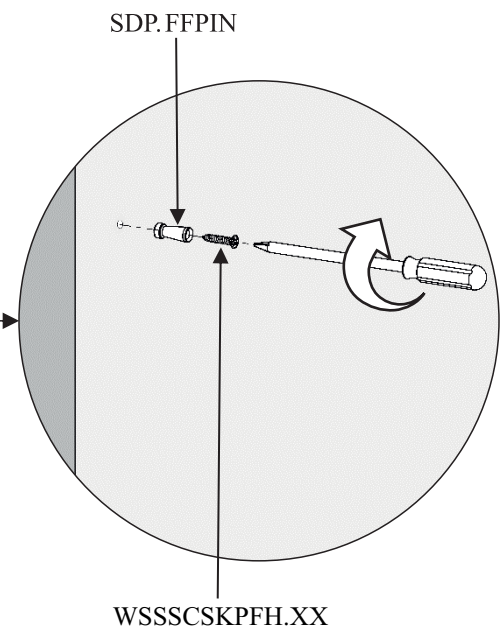
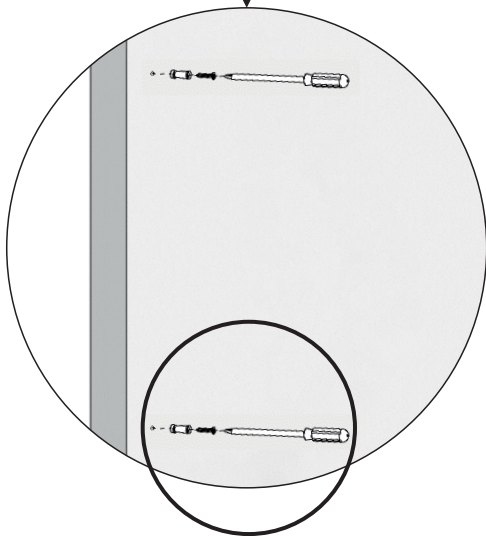
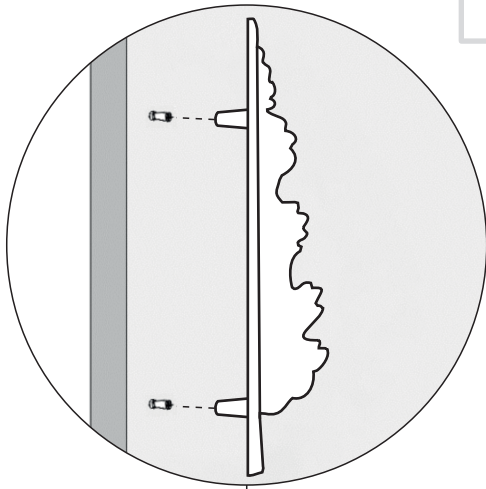
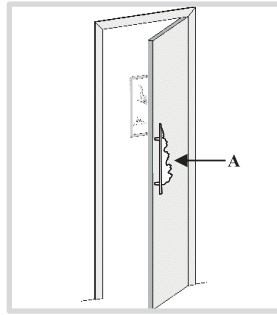
STEP-2



DRILL SIZE			
	Glass	Wood	Metal
SDP FF	N/A	1/10" (2.5mm)	N/A

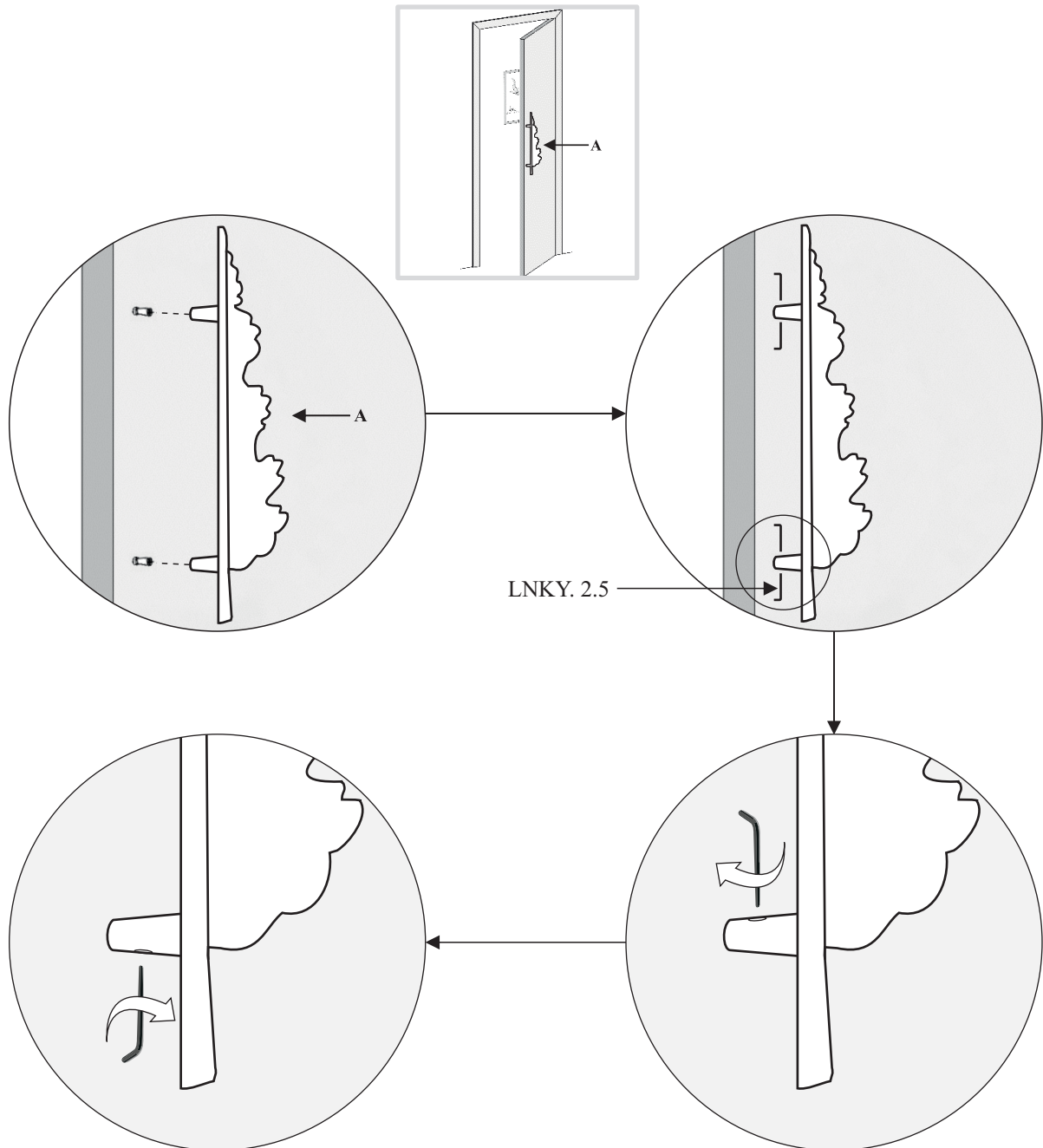
STEP-3

Step Wise Packing List			
S. No.	Part Number	Qty.	Steps
2	SDP.FFPIN	2x	3
3	WSSSCSKPFH.XX	2x	3

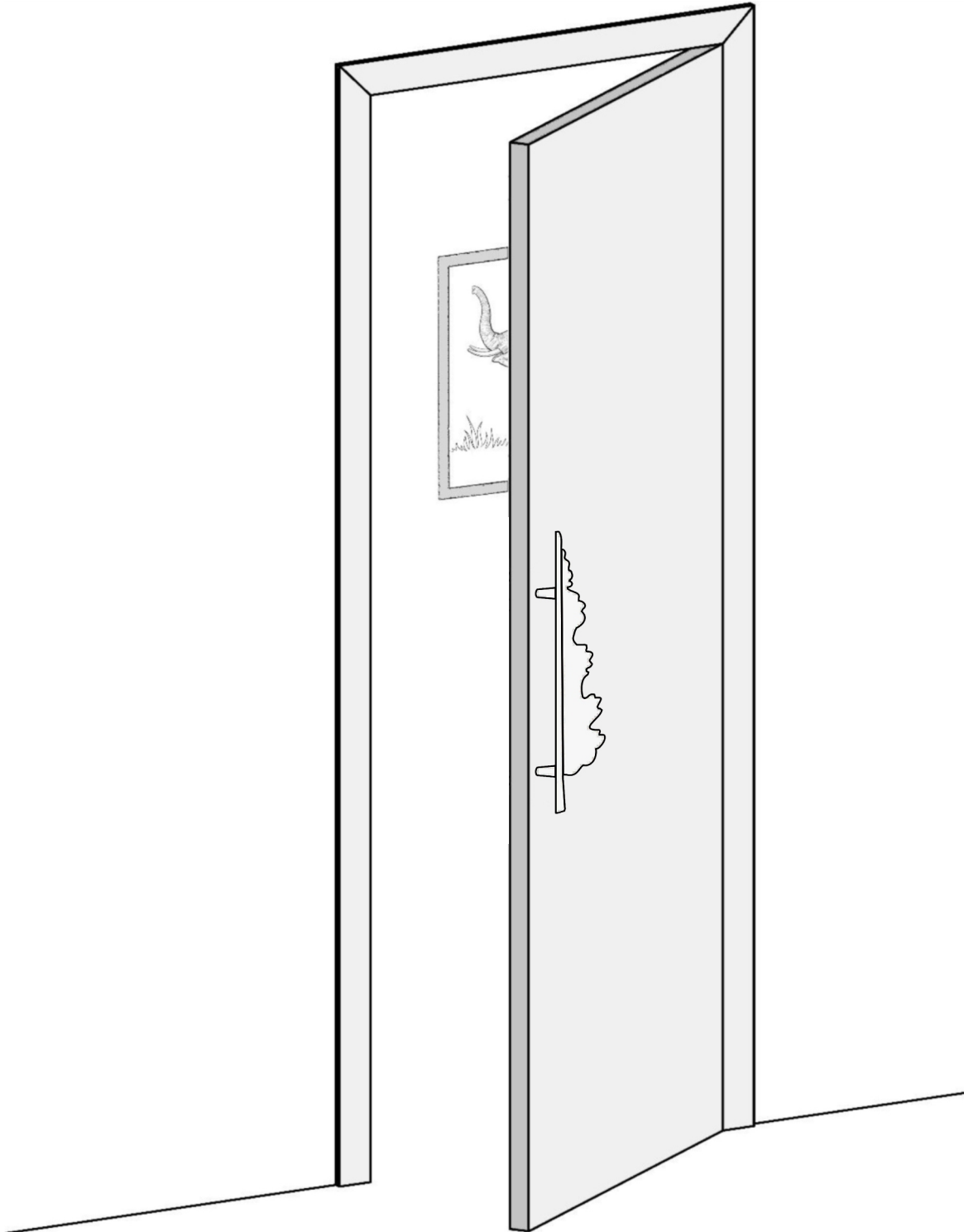


STEP-4

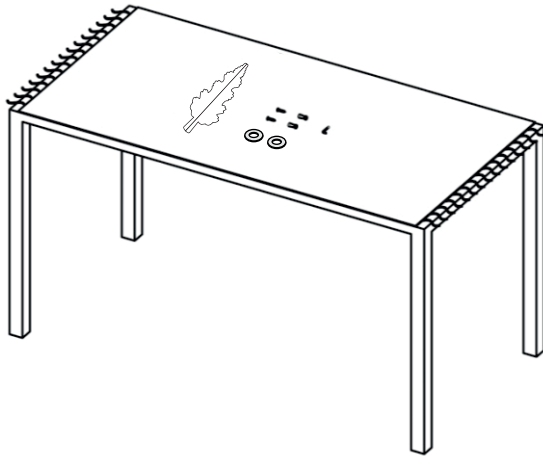
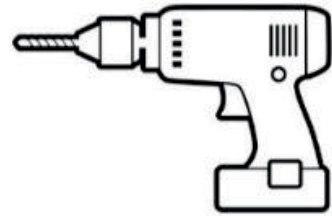
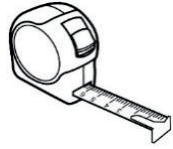
Step Wise Packing List			
S. No.	Part Number	Qty.	Steps
4	LNKY. 2.5	1x	4



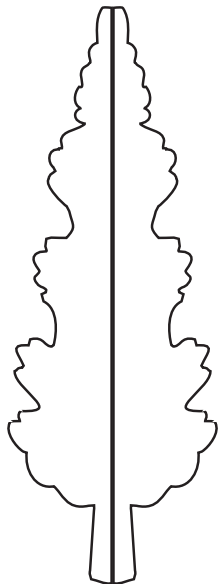
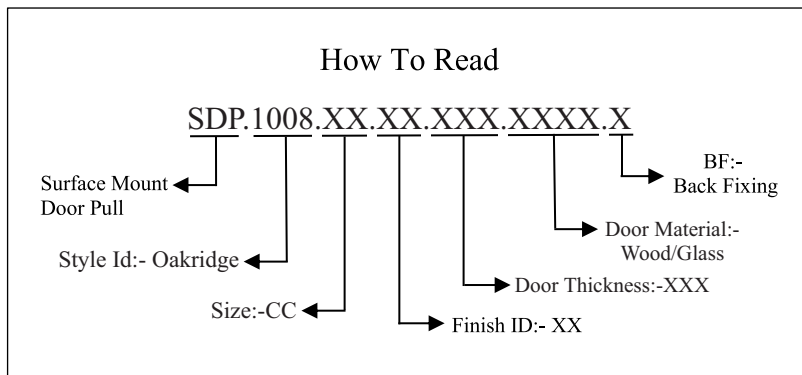
**SURFACE MOUNT BACK FIXING
HANDLE ILLUSTRATED**



Required Tools



Step Wise Packing List			
S. No.	Part Number	Qty.	Steps
1	SDP.1008.XX.XX.XXX.XXXX.X	1x	1
2	SLEEVE	1x	3
3	MSCCSKPH.XX	2x	3
4	SDP.BUSH	2x	3
5	LNKY.4	1x	3
6	WASHER	2x	3
7	SDP.CAP	2x	4
8	Manual	1x	-



SDP.1008.XX.XX.XXX.XXXX.X



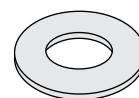
MSCCSKPH.XX



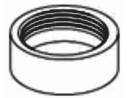
SDP.BUSH



LNKY 4



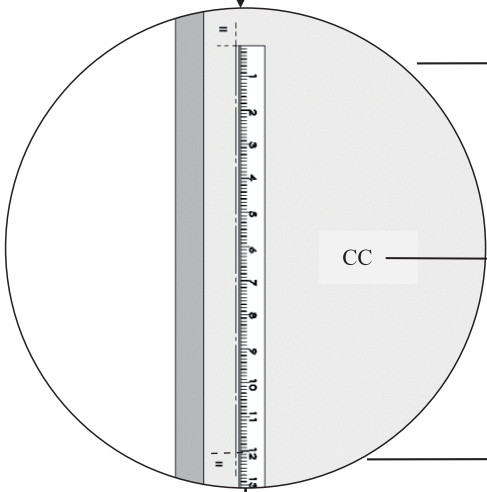
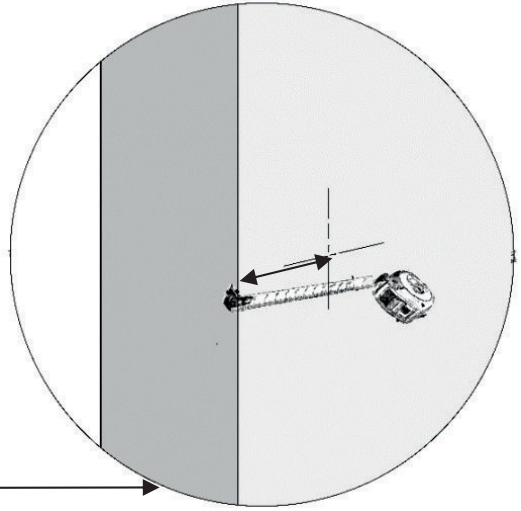
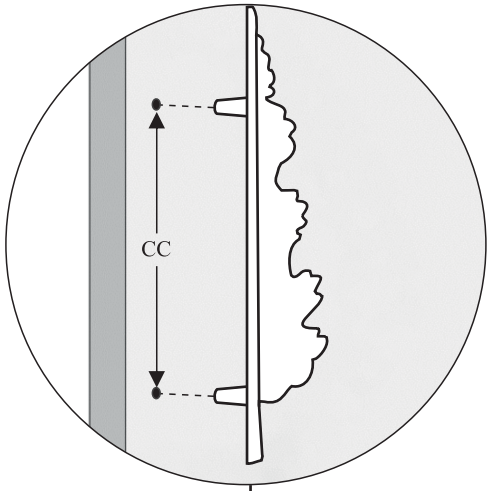
WASHER



SDP.CAP

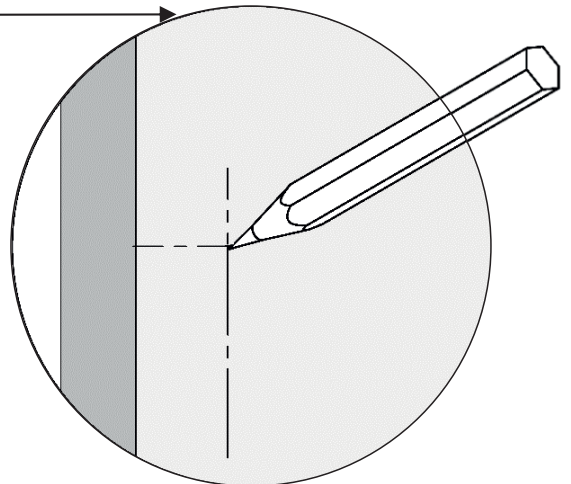
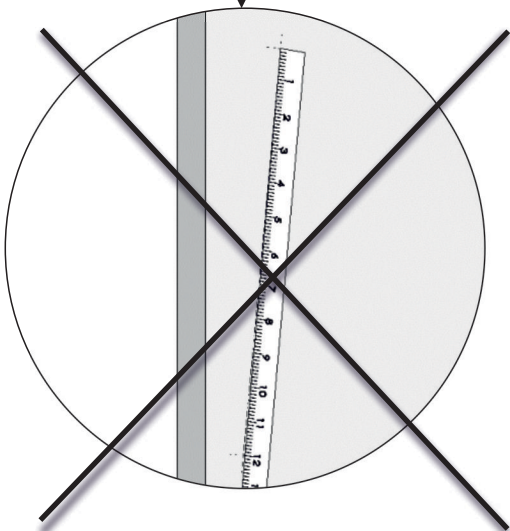


STEP-1

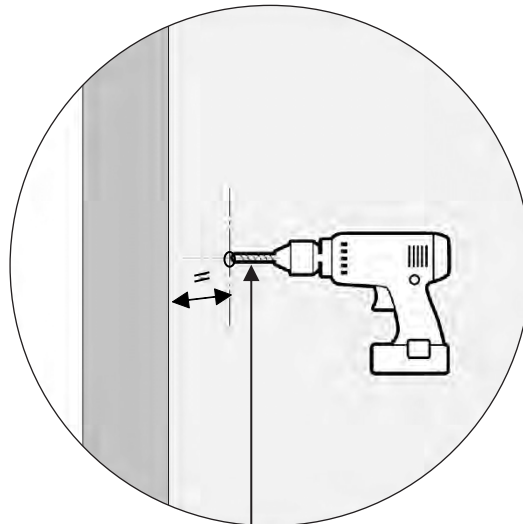
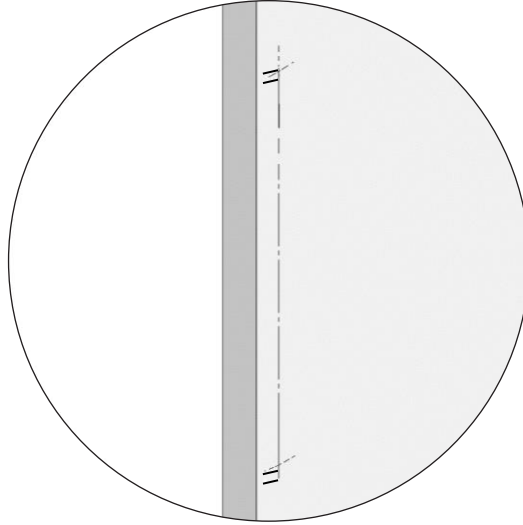


SDP.1008.XX.XX.XXX.XXXX.X

Size:-CC
9"



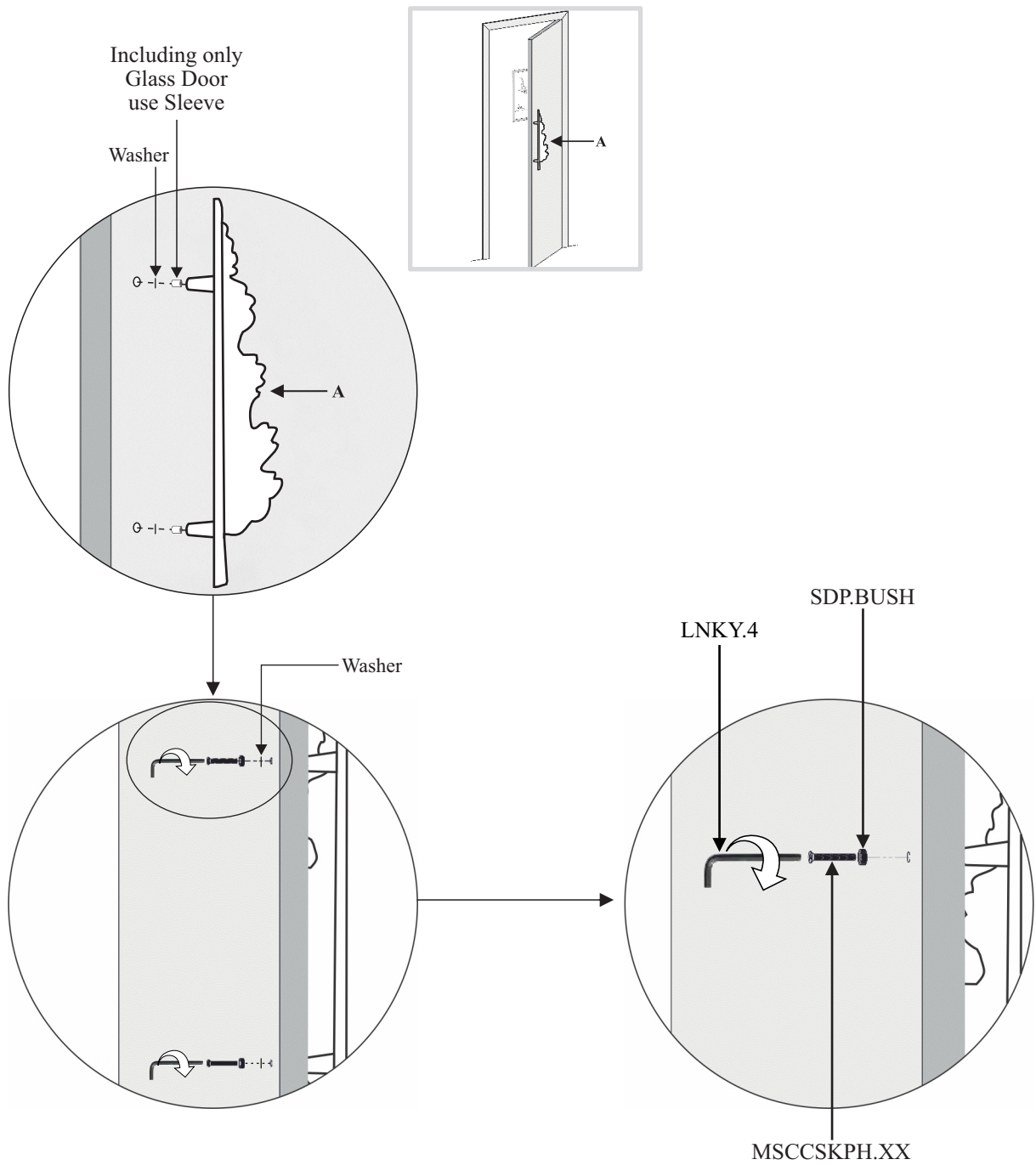
STEP-2



DRILL SIZE			
	Glass	Wood	Metal
SDP BF	3/8" (9.5mm)	1/4" (6.4mm)	1/4" (6.4mm)

STEP-3

Step Wise Packing List			
S.No.	Part Number	Qty	Steps
2	SLEEVE	1x	3
3	MSCCSKPH.XX	2x	3
4	SDP.BUSH	2x	3
5	LNKY.4	1x	3
6	WASHER	2x	3



STEP-4

Step Wise Packing List			
S.No.	Part Number	Qty	Steps
7	SDP.CAP	2x	4

