



Split Black and Satin Brass with Satin Brass Back Plate (Finish ID:49A)

SVETLANA POCKET DOOR PULL WITH LEVER

	Item Code	Size (mm & Inches)	Material	Size (Inches)				Fig.
				A	B	C	D	
1	PDL.1011.11"x3.15".XX.XXX.XXXX	279.4mm x 80mm (11"x3.15")	Brass	11	3.15	N/A	N/A	1
2	PDL.1011.18"x3.15".XX.XXX.XXXX	457.2mm x 80mm (18"x3.15")	Brass	18	3.15	N/A	N/A	1
3	PDL.1011.24"x4".XX.XXX.XXXX	609.6mm x 101.6mm (24"x4")	Brass	24	4	N/A	N/A	1

"XX" in item code denotes Finish ID.
"XXX" in item code denotes Door Material.
"XXXX" in item code denotes Door Thickness.

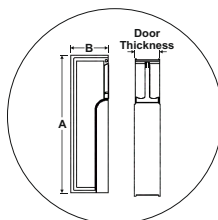
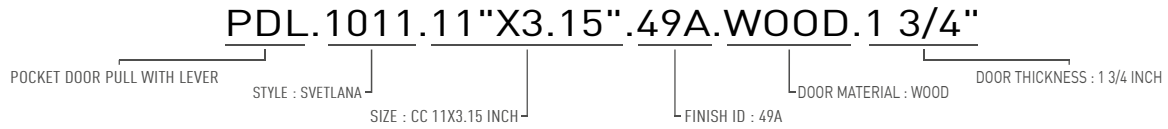


FIG. 1

This product is Supplied with Mounting Kit including with the Order.

How to Order



Svetlana Pocket Door Pull with Lever Finish Options

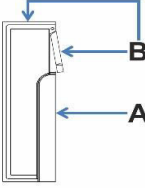
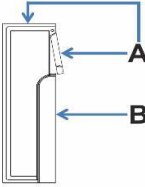
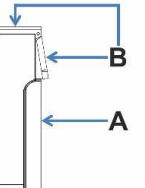
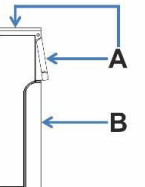
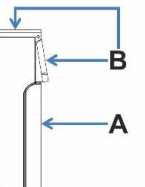
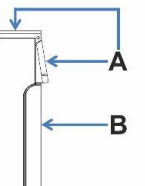
Base Material : Brass		Standard Finishes (2-3 Weeks Delivery)				
						
Brush Nickel (Finish ID:3)	Aged Brass (Finish ID:4)	Polished Nickel (Finish ID:8)	Satin Brass (Finish ID:13)			
Base Material : Brass		Custom Finishes (3-4 Weeks Delivery)*				
						
Matte Black (Finish ID:19)	Split Black and Satin Brass with Satin Brass Back Plate (Finish ID:49A)	Split Black and Satin Brass with Black Back Plate (Finish ID:49B)	Graphite (Finish ID:61)	Titanium (Finish ID:79)	Split Graphite and Brush Chrome with Graphite Back Plate (Finish ID:91A)	Split Graphite and Brush Chrome with Brush Chrome Back Plate (Finish ID:91B)
						
Split Graphite and Aged Brass with Graphite Back Plate (Finish ID:93A)	Split Graphite and Aged Brass with Aged Brass Back Plate (Finish ID:93B)					

Door Material	Door Thickness
1. Wood	1 1/4", 1 1/2", 1 3/4", 2", 2 1/4", 2 1/2" & etc.

- Custom finishes cannot be returned or refunded. We are unable to accept cancellations for custom finish order unless within 48 hours of the order being placed.
- We have uniform pricing for all non-hammered finishes listed above as long as base material and size is same.
- Contact us for customized finishes, refer pages F1, F2, F3 & F4 for finish glossary.

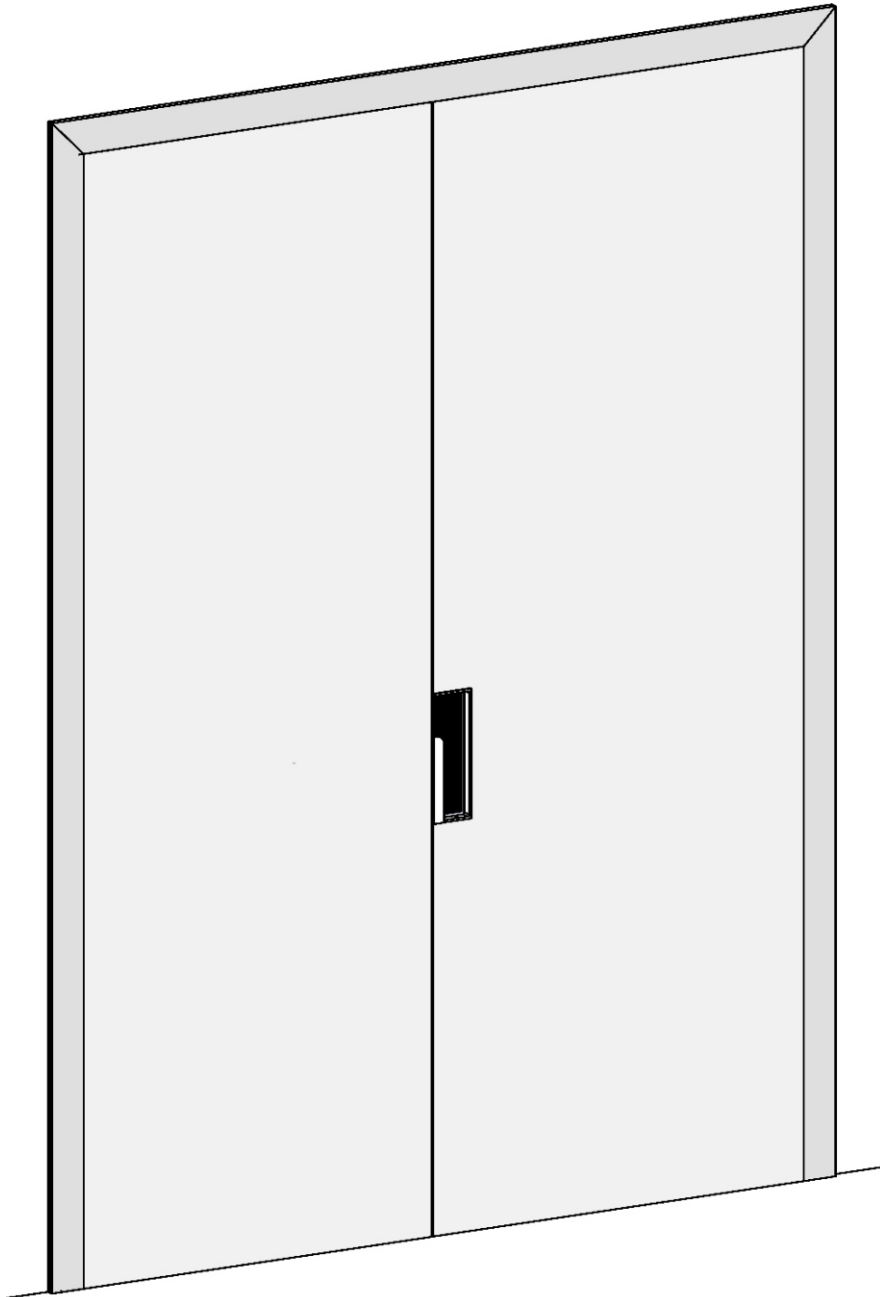
Svetlana Pocket Door Pull with Lever Split Finish

PDL.1011.XX.XX

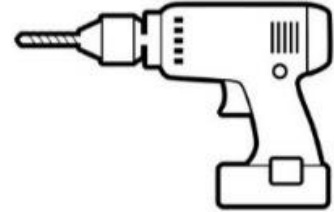
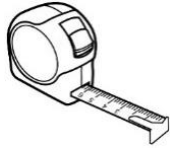
FINISH CODE (XX)	FINISH NAME	LINE DRAWING	A	B
PDL.1011.XX.49A	Split Black and Satin Brass with Satin Brass Back Plate		Matte Black	Satin Brass
PDL.1011.XX.49B	Split Black and Satin Brass with Black Back Plate		Matte Black	Satin Brass
PDL.1011.XX.91A	Split Graphite and Brush Chrome with Brush Chrome Back Plate		Graphite	Brush Chrome
PDL.1011.XX.91B	Split Graphite and Brush Chrome with Graphite Back Plate		Graphite	Brush Chrome
PDL.1011.XX.93A	Split Graphite and Aged Brass with Aged Brass Back Plate		Graphite	Aged Brass
PDL.1011.XX.93B	Split Graphite and Aged Brass with Graphite Back Plate		Graphite	Aged Brass

POCKET DOOR PULL

ILLUSTRATED

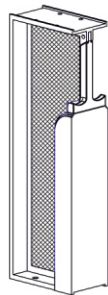


Required Tools



Packing List

S. No.	PART NO	QTY	STEPS
1	PDL.1011.XX.XX	1x	2
2	WCSKPH.#4X19	6x	3
3	Manual	1x	--

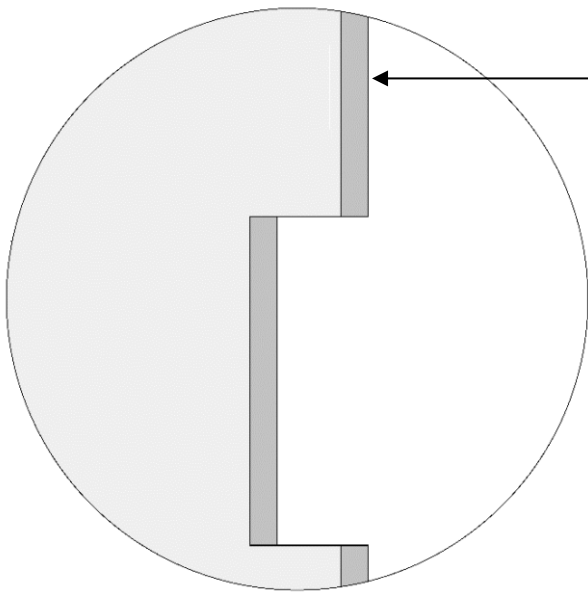
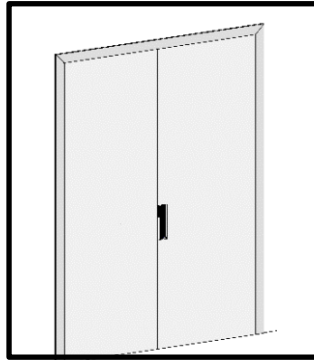


PDL.1011.XX.XX

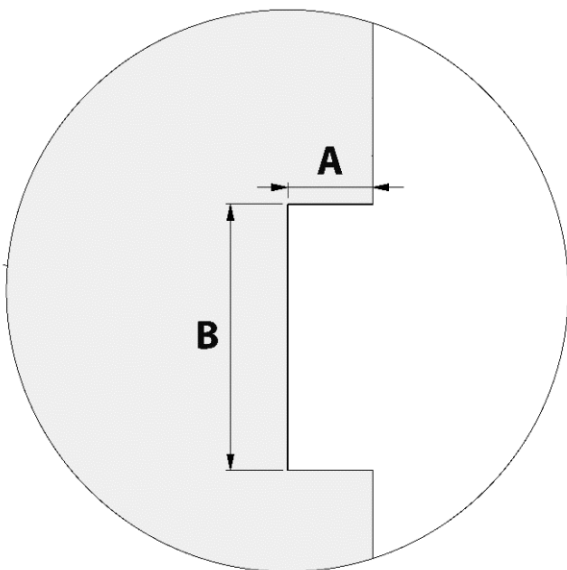


WCSKPH.#4X19

STEP-1



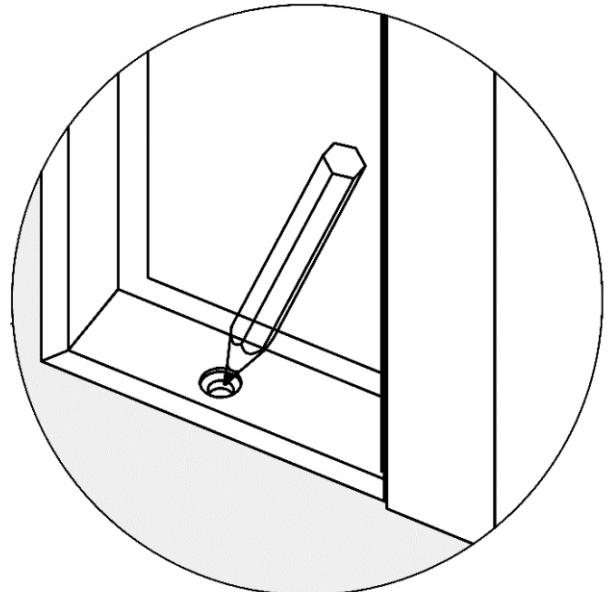
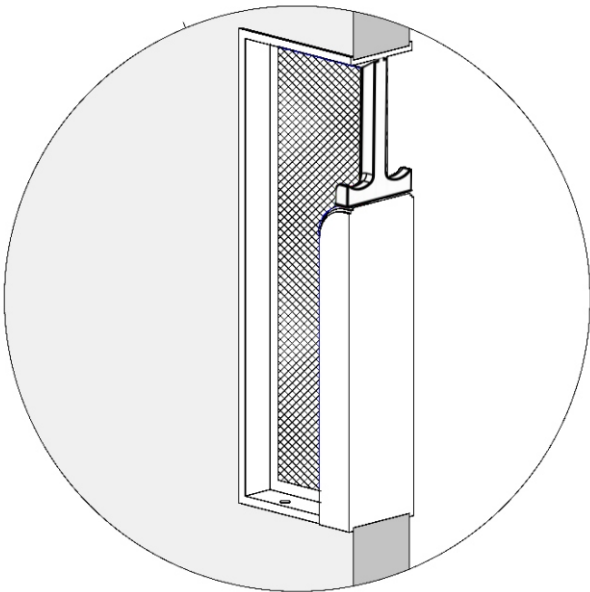
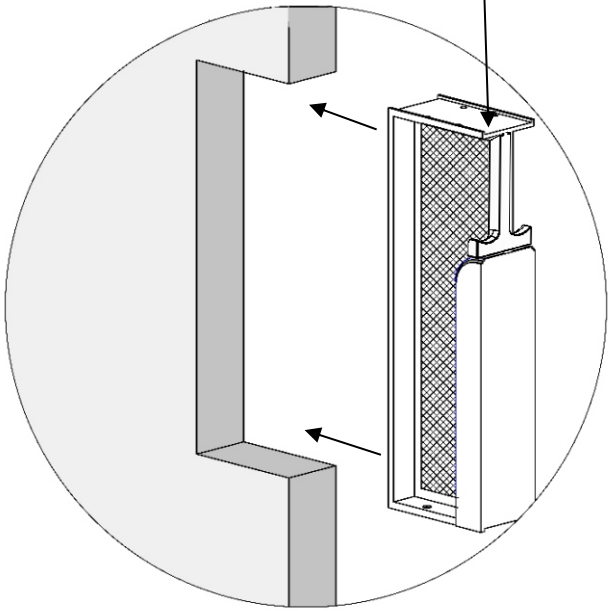
Door Thickness
1"
1-3/8"
1.5"
1-3/4"
2"



Item Code	A(CUT SIZE)	B(CUT SIZE)
PDL.1011.11"X3.15".XX	78mm(3.07")	275.40mm(10.84")
PDL.1011.18"X3.15".XX	78mm(3.07")	427.80mm(16.84")
PDL.1011.24"X4".XX	99mm(3.92")	580.20mm(22.84")

STEP-2

PDL.1011.XX.XX



STEP-3

