



Silicon Bronze Light (Finish ID:53)

## COLUMBUS SIDE BY SIDE BACK TO BACK DOOR PULL

|   | Item Code               | Size (mm & Inches) | Material | Size (Inches) |      |       |      | Fig. |
|---|-------------------------|--------------------|----------|---------------|------|-------|------|------|
|   |                         |                    |          | A             | B    | C     | D    |      |
| 1 | DDP.907.8".XX.XXX.XXX   | 203.2mm (8")       | Brass    | 8             | 0.63 | 7.32  | 1.1  | 1    |
| 2 | DDP.907.12".XX.XXX.XXXX | 304.8mm (12")      | Brass    | 12            | 1.18 | 10.67 | 1.5  | 1    |
| 3 | DDP.907.15".XX.XXX.XXXX | 381mm (15")        | Brass    | 15            | 1.18 | 13.74 | 1.5  | 1    |
| 4 | DDP.907.18".XX.XXX.XXXX | 457.2mm (18")      | Brass    | 17.83         | 1.57 | 16    | 2.01 | 2    |
| 5 | DDP.907.8".XX.XXX.XXXX  | 203.2mm (8")       | Bronze   | 8             | 0.63 | 7.32  | 1.1  | 1    |
| 6 | DDP.907.12".XX.XXX.XXXX | 304.8mm (12")      | Bronze   | 12            | 1.18 | 10.67 | 1.5  | 1    |
| 7 | DDP.907.15".XX.XXX.XXXX | 381mm (15")        | Bronze   | 15            | 1.18 | 13.74 | 1.5  | 1    |
| 8 | DDP.907.18".XX.XXX.XXXX | 457.2mm (18")      | Bronze   | 17.83         | 1.57 | 16    | 2.01 | 2    |

"XX" in item code denotes Finish ID.  
 "XXX" in item code denotes Door Thickness.  
 "XXXX" in item code denotes Door Material.

This product is Supplied with Mounting Kit including with the Order.

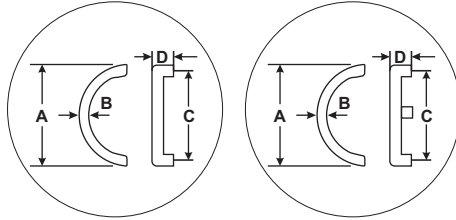


FIG. 1

FIG. 2

## How to Order

**DDP.907.8".53.GLASS.1"**

BACK TO BACK DOOR PULL
STYLE : COLUMBUS
SIZE : OAL 8 INCH
FINISH ID : 53
DOOR MATERIAL : GLASS
DOOR THICKNESS : 1 INCH

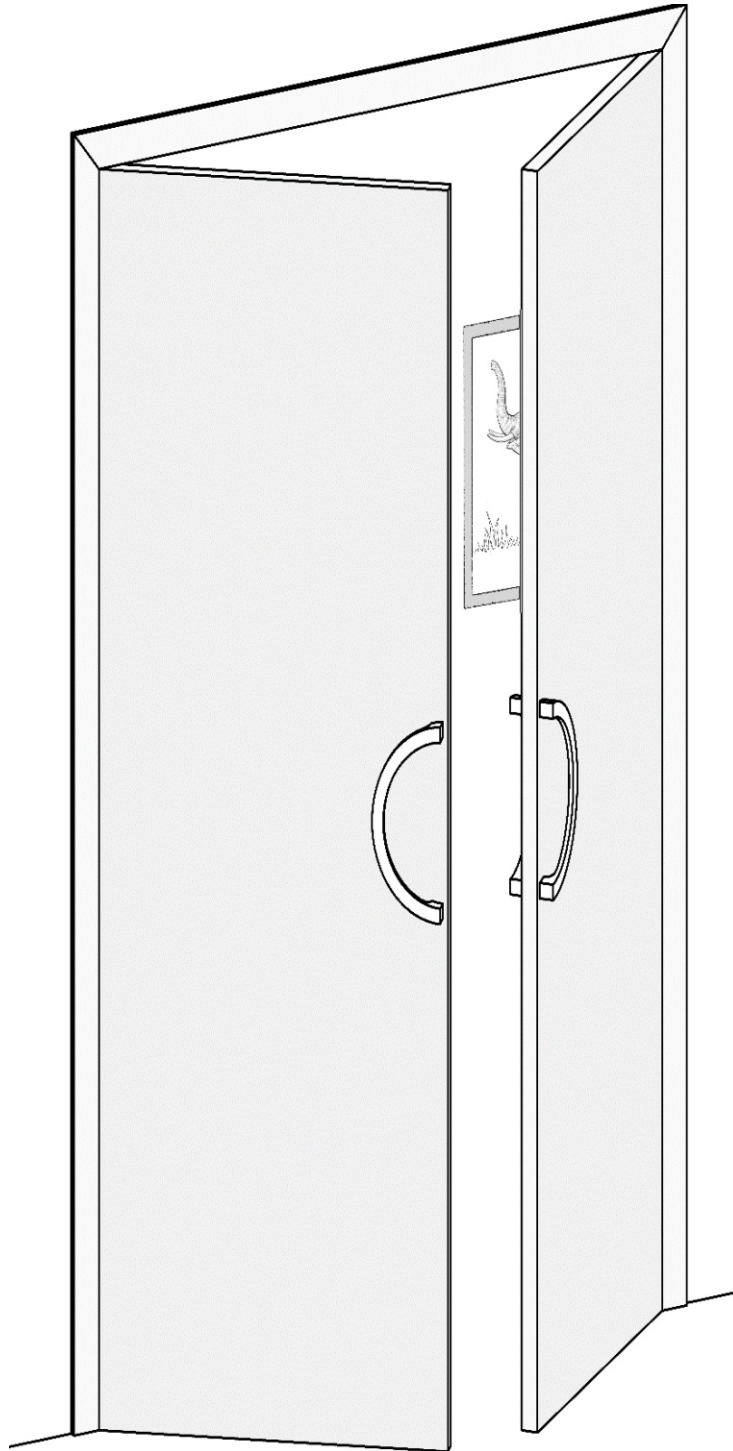
## Columbus Side By Side Back To Back Door Pull Finish Options

|   |   |
|---|---|
| Base Material : Brass   | Standard Finishes (2-3 Weeks Delivery)  |
| <br>Brush Nickel<br>(Finish ID:3)           | <br>Aged Brass<br>(Finish ID:4)             |
| <br>Polished Nickel<br>(Finish ID:8)        | <br>Satin Brass<br>(Finish ID:13)           |
| Base Material : Brass   | Custom Finishes (3-4 Weeks Delivery)*   |
| <br>Matte Black<br>(Finish ID:19)          | <br>Graphite<br>(Finish ID:61)             |
| <br>Titanium<br>(Finish ID:79)             | <br>Brush Chrome<br>(Finish ID:95)         |
| Base Material : Bronze  | Custom Finishes (3-4 Weeks Delivery)*   |
| <br>Silicon Bronze Light<br>(Finish ID:53) | <br>Silicon Bronze Dark<br>(Finish ID:53D) |
| <br>White Bronze<br>(Finish ID:54)         |   |

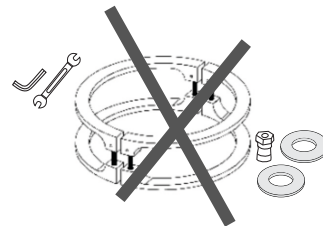
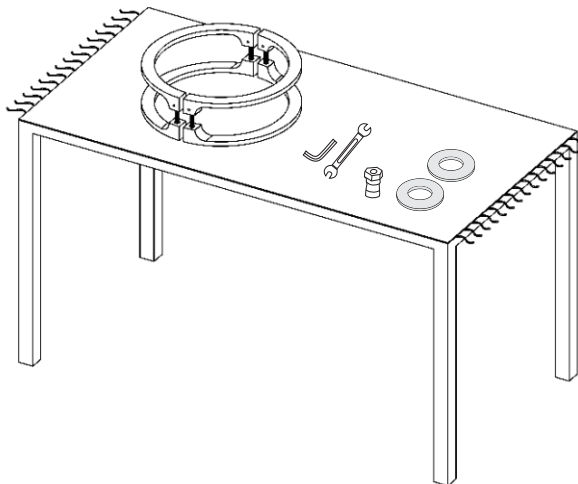
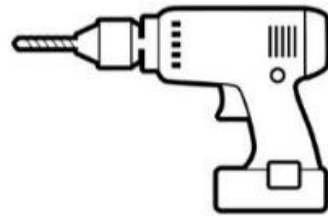
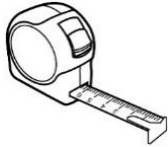
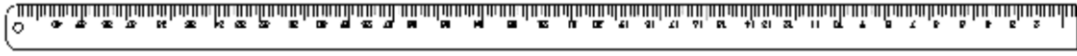
| Door Material | Door Thickness  |
|---------------|---|
| 1. Wood       | 5/16", 3/8", 1/2", 3/4", 1", 1 1/4", 1 1/2", 1 3/4", 2", 2 1/4", 2 1/2" |
| 2. Metal      | 5/16", 3/8", 1/2", 3/4", 1", 1 1/4", 1 1/2", 1 3/4", 2", 2 1/4", 2 1/2" |
| 3. Glass      | 5/16", 3/8", 1/2", 3/4", 1"   |

- Custom finishes cannot be returned or refunded. We are unable to accept cancellations for custom finish order unless within 48 hours of the order being placed.
- We have uniform pricing for all non-hammered finishes listed above as long as base material and size is same.
- Contact us for customized finishes, refer pages F1, F2, F3 & F4 for finish glossary.

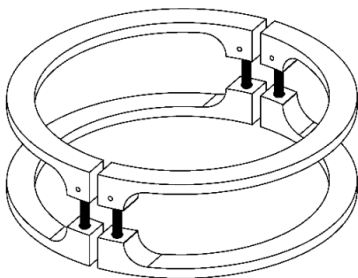
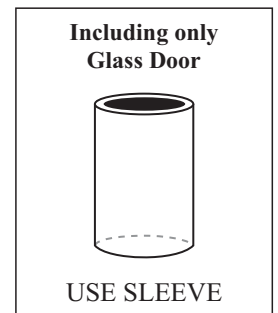
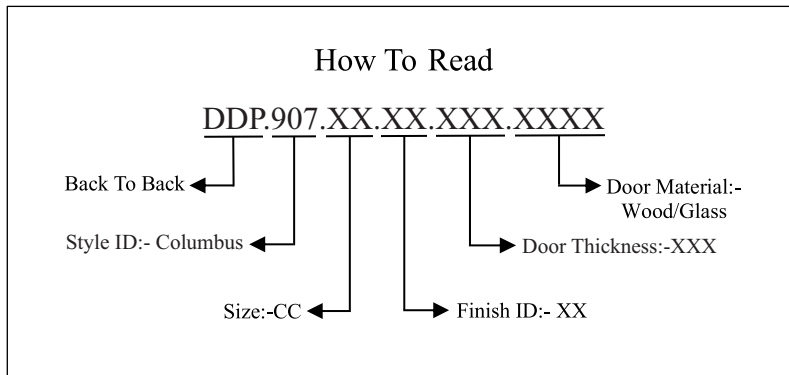
**BACK TO BACK  
HANDLE ILLUSTRATED**



Required Tools



| Step Wise Packing List |                        |     |       |
|------------------------|------------------------|-----|-------|
| S.No.                  | Part Number            | Qty | Steps |
| 1                      | DDP.907.XX.XX.XXX.XXXX | 1x  | 1     |
| 2                      | SLEEVE                 | 1x  | 1     |
| 3                      | LNKY 3                 | 1x  | 1     |
| 4                      | INSERT                 | 1x  | 1     |
| 5                      | WASHER                 | 4x  | 1     |
| 6                      | DDP.SPANNER (No.10,11) | 1x  | 4     |
| 7                      | Manual                 | 1x  | -     |



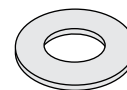
DDP.907.XX.XX.XXX.XXXX



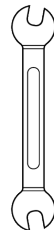
LNKY 3



INSERT



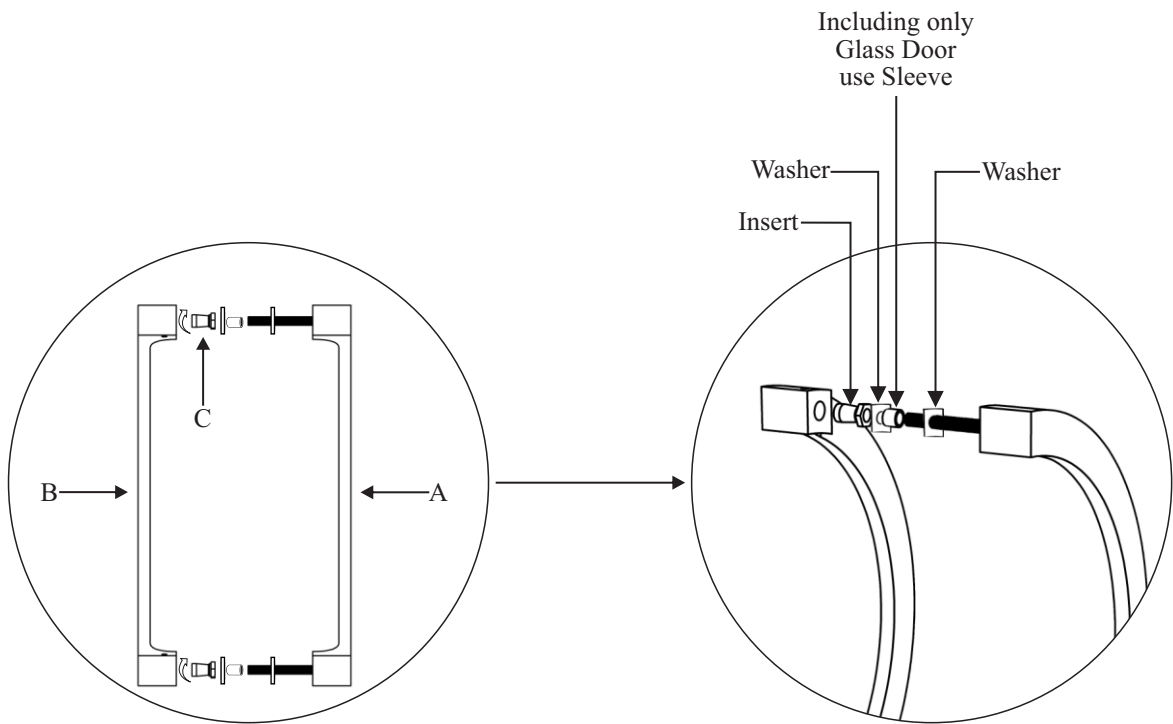
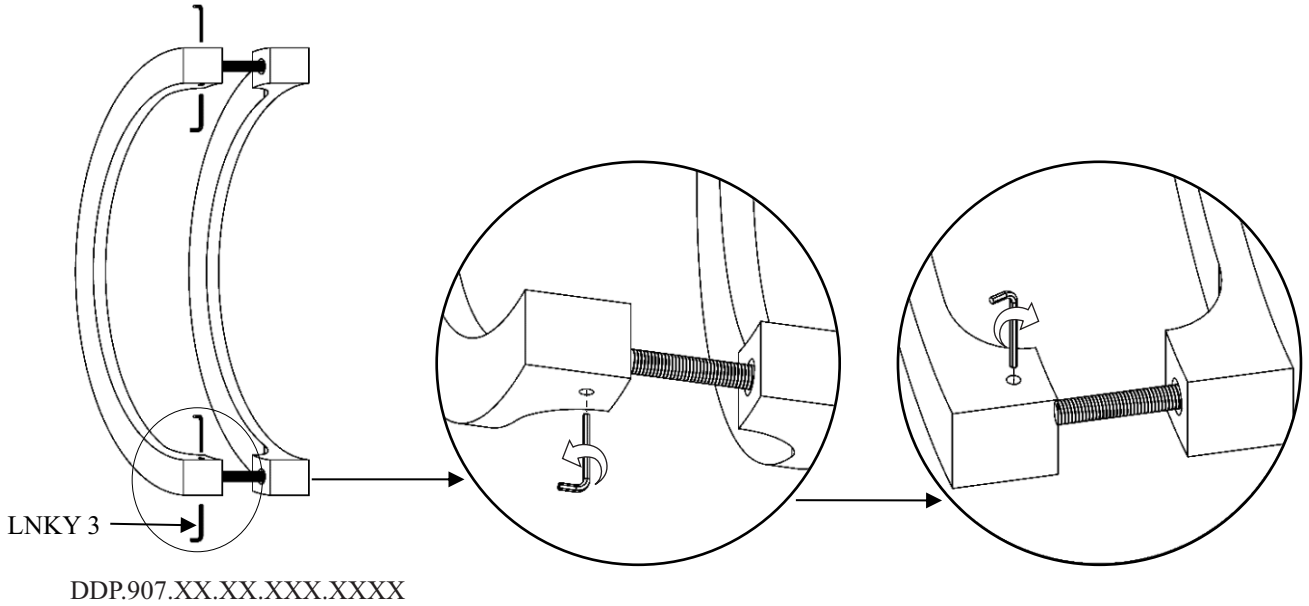
WASHER



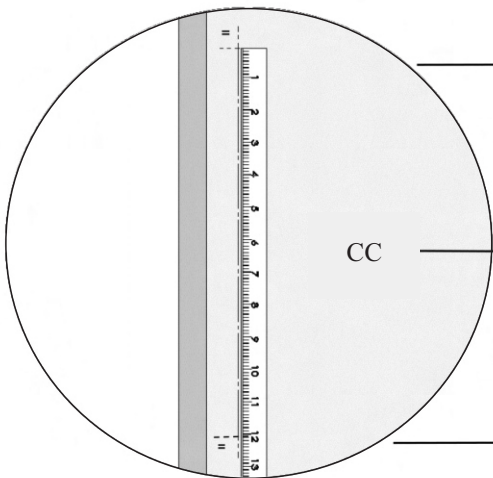
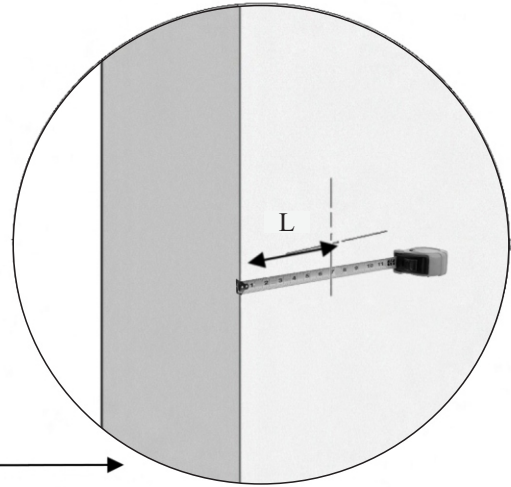
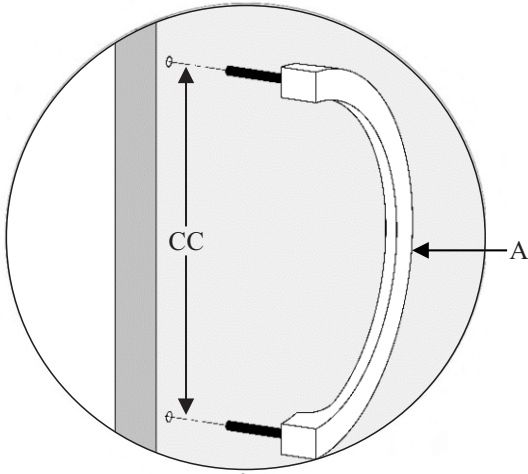
DDP.SPANNER (10,11)

STEP-1

| Step Wise Packing List |                        |     |       |
|------------------------|------------------------|-----|-------|
| S.No.                  | Part Number            | Qty | Steps |
| 1                      | DDP.907.XX.XX.XXX.XXXX | 1x  | 1     |
| 2                      | SLEEVE                 | 1x  | 1     |
| 3                      | LNKY 3                 | 1x  | 1     |
| 4                      | INSERT                 | 1x  | 1     |
| 5                      | WASHER                 | 4x  | 1     |

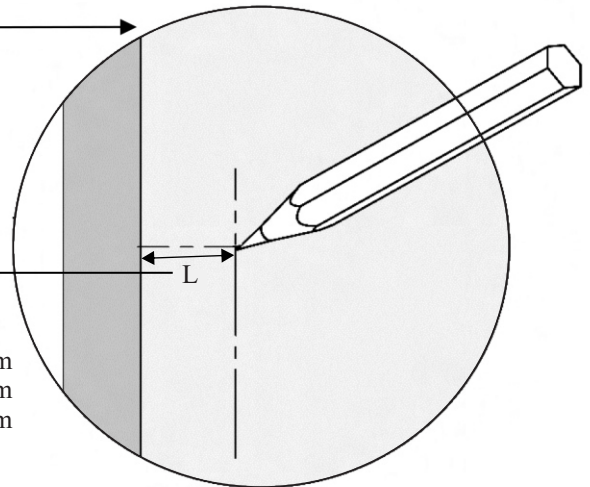
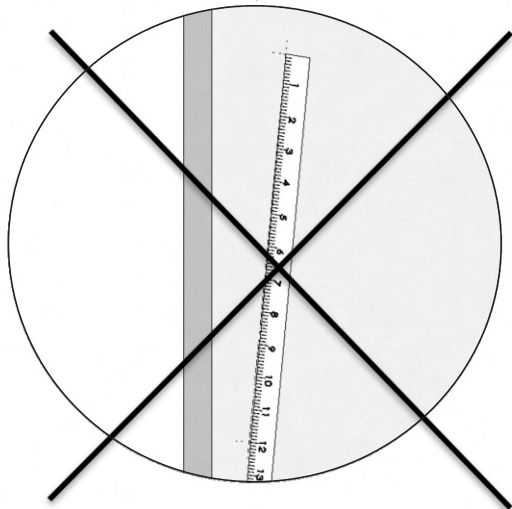


STEP-2



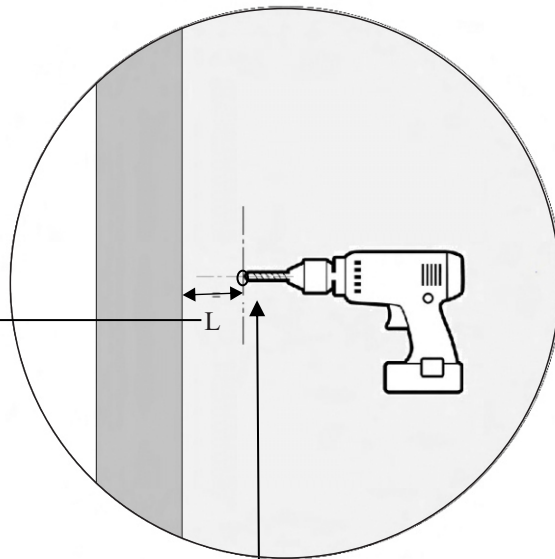
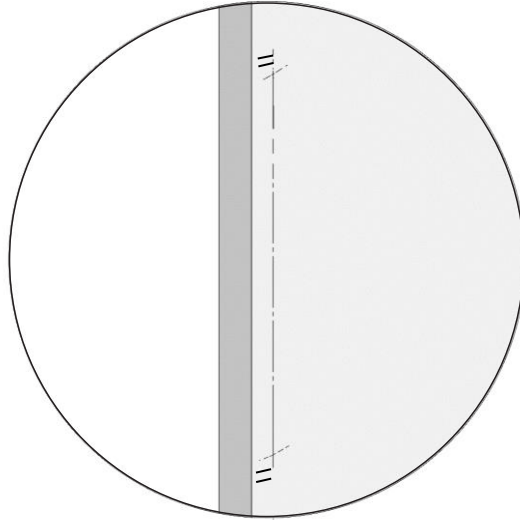
DDP.907.XX.XX.XXX.XXXX

Size:- CC — OAL  
 ↓        ↓  
 7.5"    8"  
 10.6"   12"  
 13.7"   15"



8" OAL = 10mm  
 12" OAL = 15mm  
 15" OAL = 17mm

STEP-3



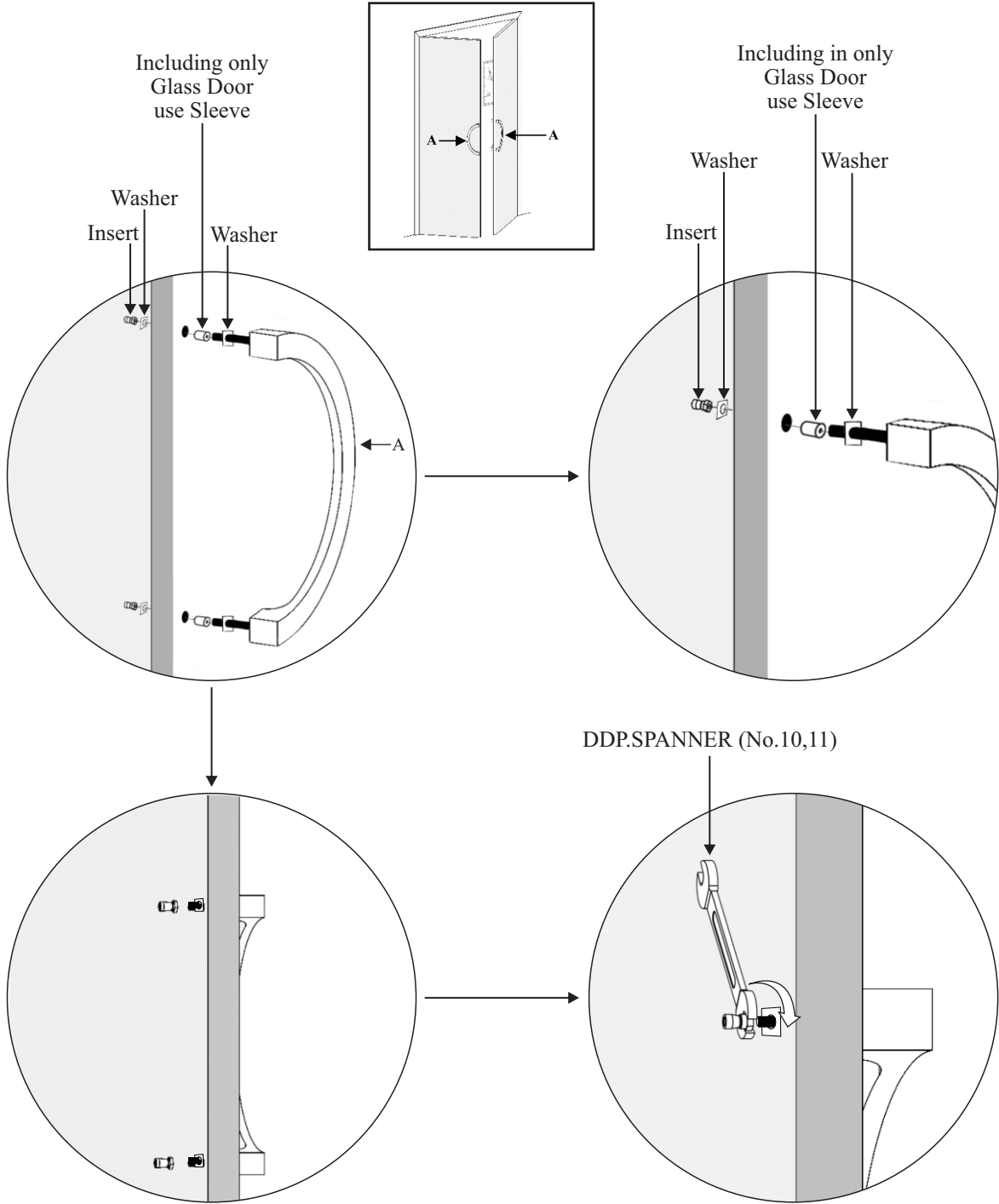
L  
 ↓  
 8" OAL = 10mm  
 12" OAL = 15mm  
 15" OAL = 17mm

| <b>DRILL SIZE</b> |                 |                 |                 |
|-------------------|-----------------|-----------------|-----------------|
|                   | Glass           | Wood            | Metal           |
| <b>DDP</b>        | 3/8"<br>(9.5mm) | 1/4"<br>(6.4mm) | 1/4"<br>(6.4mm) |

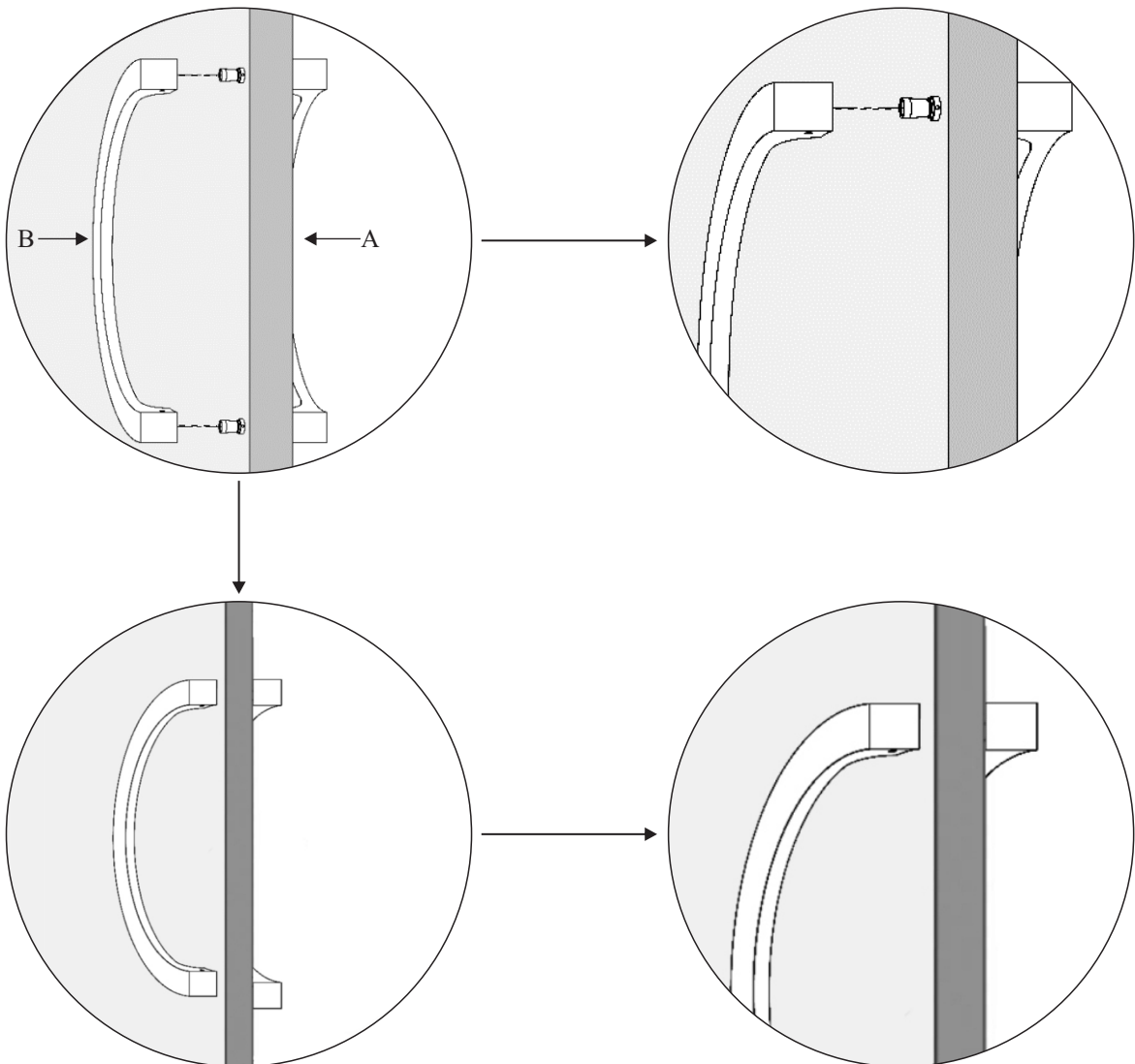
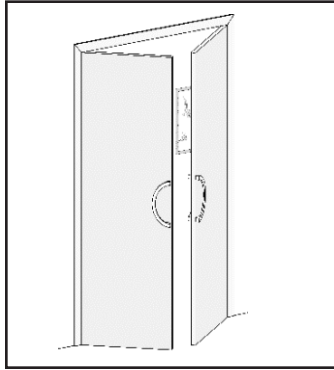


STEP-4

| Step Wise Packing List |                        |     |       |
|------------------------|------------------------|-----|-------|
| S.No.                  | Part Number            | Qty | Steps |
| 6                      | DDP.SPANNER (No.10,11) | 1x  | 4     |



STEP-5



STEP-6

