



Polished Nickel (Finish ID:8)

## JAZZ BACK TO BACK DOOR PULL

“The juxtaposition of two surfaces where knurled meets smooth.  
The contrast highlights the detail.”

	Item Code	Size (mm & Inches)	Material	Size (Inches)				Fig.
				A	B	C	D	
1	DDP.836.12".XX.XXX.XXXX	304.8mm (12")	Brass	13.98	0.87	12	2.13	1
2	DDP.836.18".XX.XXX.XXXX	457.2mm (18")	Brass	20.16	0.87	18	2.13	1
3	DDP.836.24".XX.XXX.XXXX	609.6mm (24")	Brass	26.18	0.87	24	2.13	1
4	DDP.836.36".XX.XXX.XXXX	914.4mm (36")	Brass	38.19	0.87	36	2.13	1
5	DDP.836.48".XX.XXX.XXXX	1219.2mm (48")	Brass	50.16	0.87	48	2.13	1

“XX” in item code denotes Finish ID.  
“XXX” in item code denotes Door Thickness.  
“XXXX” in item code denotes Door Material.

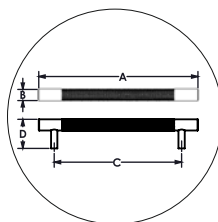
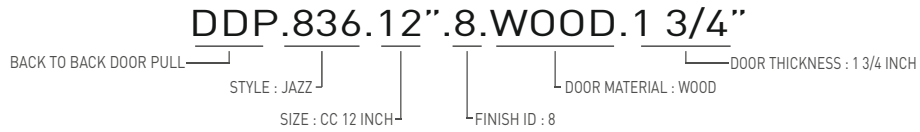


FIG. 1

This product is Supplied with Mounting Kit including with the Order.

## How to Order



### Jazz Back To Back Door Pull Finish Options

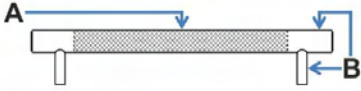
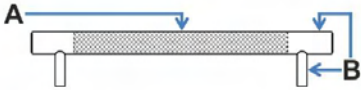
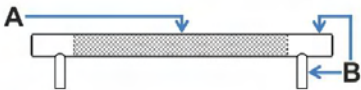
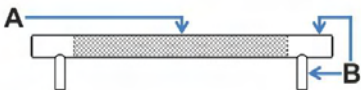
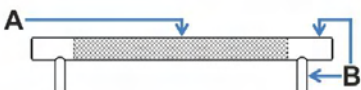
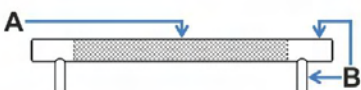
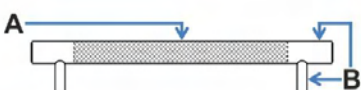
Base Material : Brass	Standard Finishes (2-3 Weeks Delivery)					
						
Bright Chrome (Finish ID:2)	Brush Nickel (Finish ID:3)	Aged Brass (Finish ID:4)	Unlacquered Polished Brass (Finish ID:7U)	Polished Nickel (Finish ID:8)	Satin Brass (Finish ID:13)	
Base Material : Brass	Custom Finishes (3-4 Weeks Delivery)*					
						
Lacquered Polished Brass (Finish ID:7L)	Matte Black (Finish ID:19)	Split Black and Polished Nickel (Finish ID:48)	Split Black and Satin Brass (Finish ID:49)	Split Black And Chrome (Finish ID:59)	Graphite (Finish ID:61)	Split Brush Nickel and Satin Brass (Finish ID:78)
						
Titanium (Finish ID:79)	Split Graphite and Satin Brass (Finish ID:90)	Split Graphite and Brush Chrome (Finish ID:91)	Ombre (Finish ID:92)	Split Graphite and Aged Brass (Finish ID:93)	Brush Chrome (Finish ID:95)	

Door Material	Door Thickness
1. Wood	5/16", 3/8", 1/2", 3/4", 1", 1 1/4", 1 1/2", 1 3/4", 2", 2 1/4", 2 1/2"
2. Metal	5/16", 3/8", 1/2", 3/4", 1", 1 1/4", 1 1/2", 1 3/4", 2", 2 1/4", 2 1/2"
3. Glass	5/16", 3/8", 1/2", 3/4", 1"

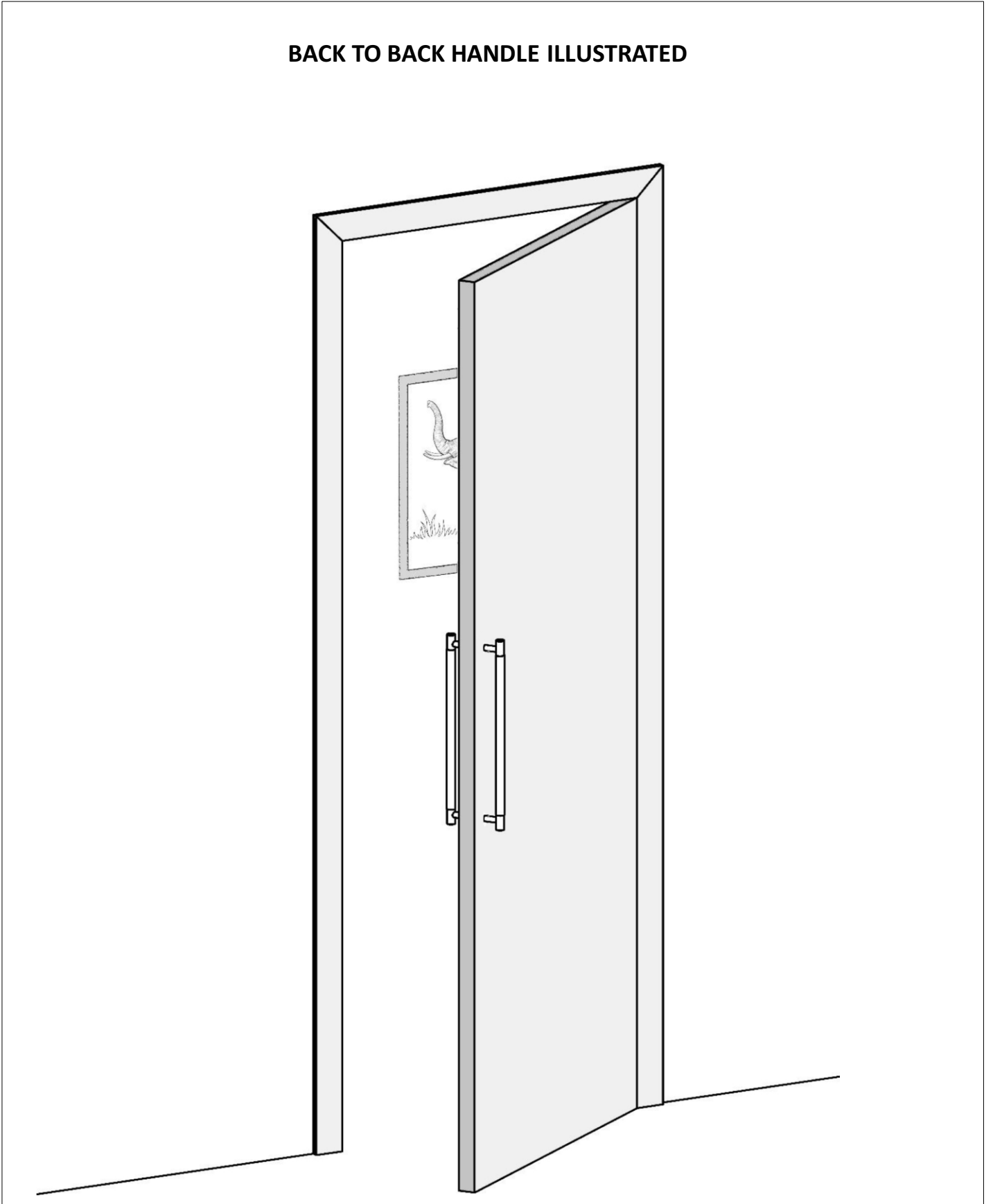
- Custom finishes cannot be returned or refunded. We are unable to accept cancellations for custom finish order unless within 48 hours of the order being placed.
- We have uniform pricing for all non-hammered finishes listed above as long as base material and size is same.
- Contact us for customized finishes, refer pages F1, F2, F3 & F4 for finish glossary.

**Jazz Back To Back Door Pull Split Finish**

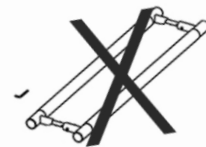
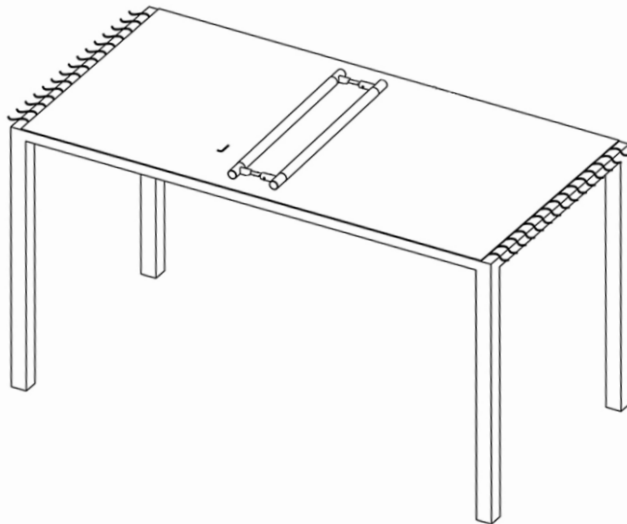
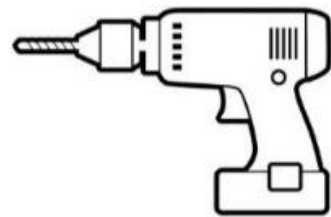
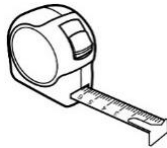
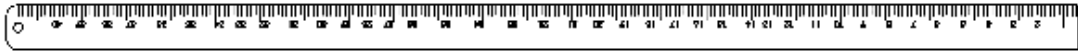
**DDP.836.XX.XX**

FINISH CODE (XX)	FINISH NAME	LINE DRAWING	A	B
DDP.836.XX.48	Split Black and Polished Nickel		Matte Black	Polished Nickel
DDP.836.XX.49	Split Black and Satin Brass		Matte Black	Satin Brass
DDP.836.XX.59	Split Black and Chrome		Matte Black	Bright Chrome
DDP.836.XX.78	Split Brush Nickel and Satin Brass		Satin Brass	Brush Nickel
DDP.836.XX.90	Split Graphite and Satin Brass		Graphite	Satin Brass
DDP.836.XX.91	Split Graphite and Brush Chrome		Graphite	Brush Chrome
DDP.836.XX.93	Split Graphite and Aged Brass		Graphite	Aged Brass

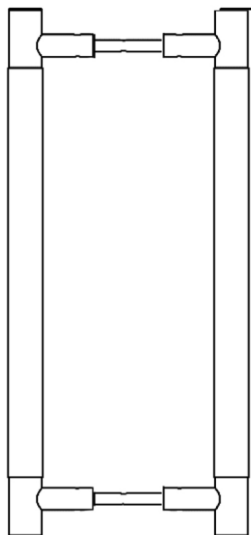
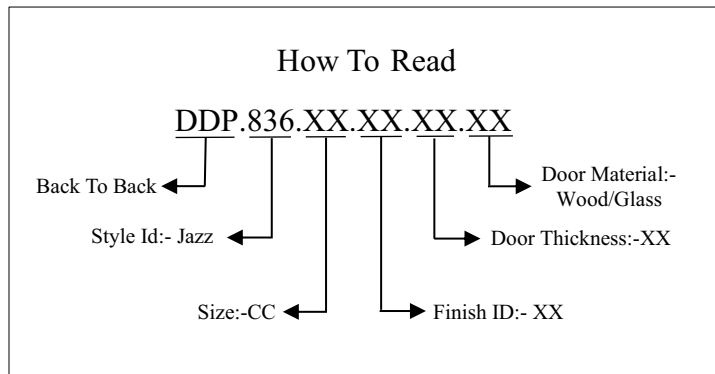
**BACK TO BACK HANDLE ILLUSTRATED**



### Required Tools



Step Wise Packing List			
S No	Part Number	Qty	Steps
1	DDP.836.XX.XX.XX.XX	1x	1
2	LNKY2.5	1x	1
3	Manual	1x	-



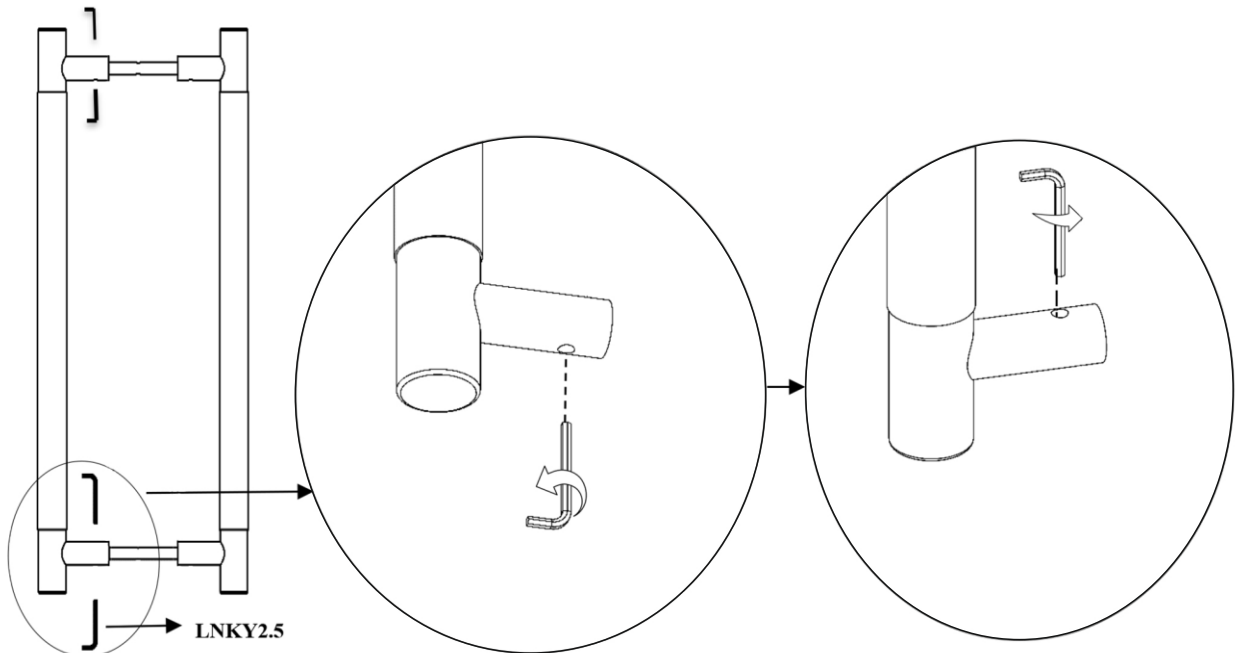
DDP.836.XX.XX.XX.XX



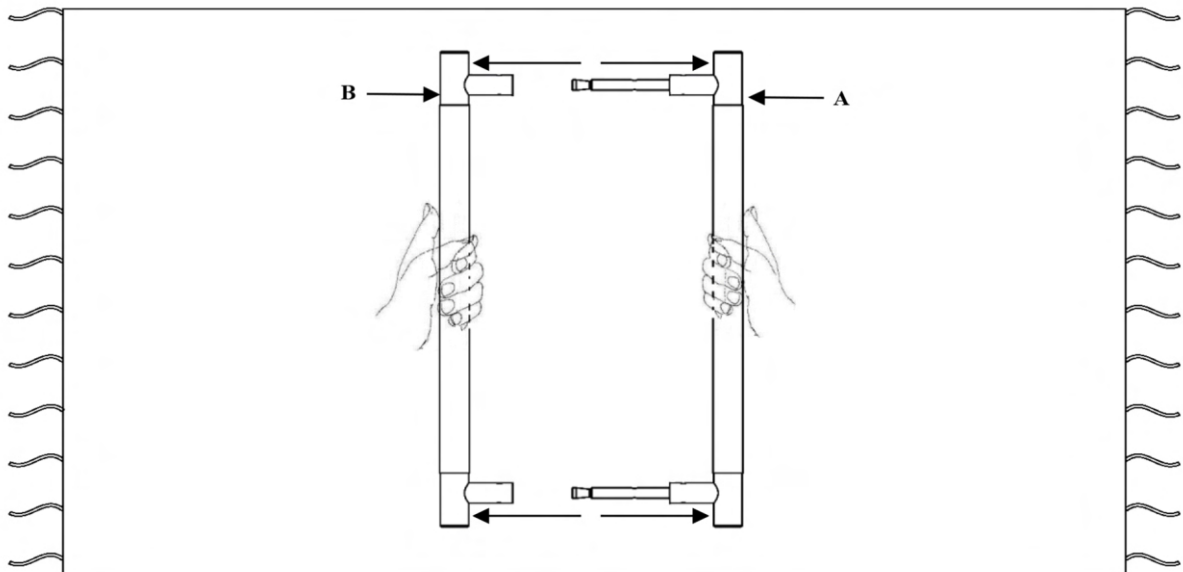
LNKY2.5

STEP-1

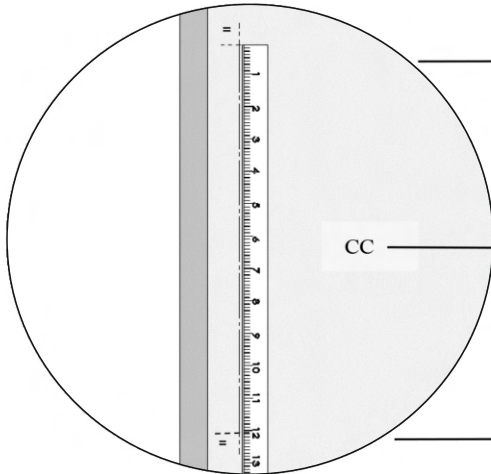
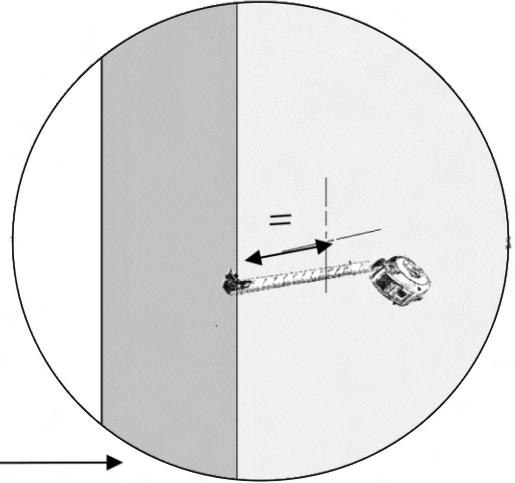
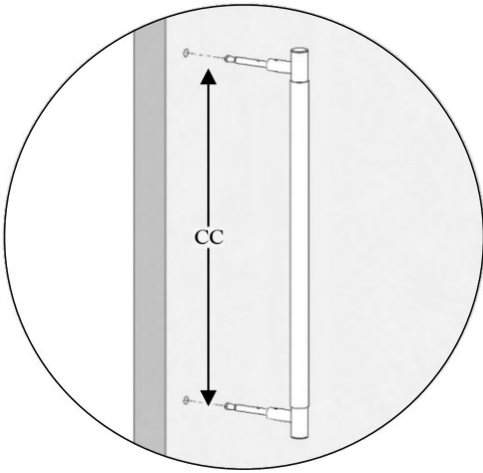
Step Wise Packing List			
S No	Part Number	Qty	Steps
1	DDP.836.XX.XX.XX.XX	1x	1
2	LNKY2.5	1x	1



DDP.836.XX.XX.XX.XX

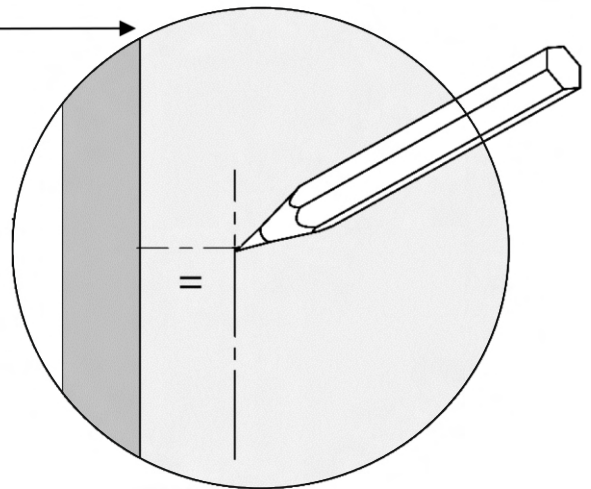
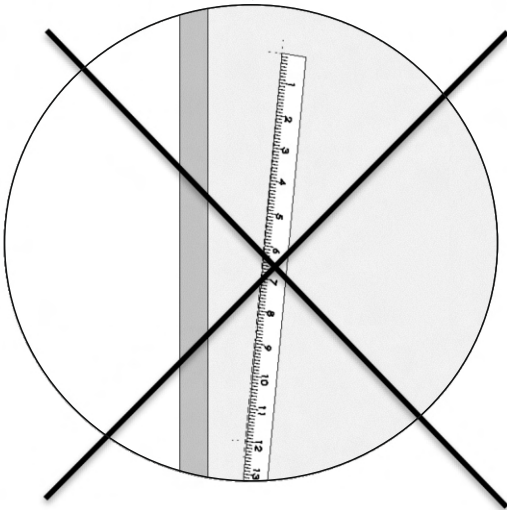


STEP-2



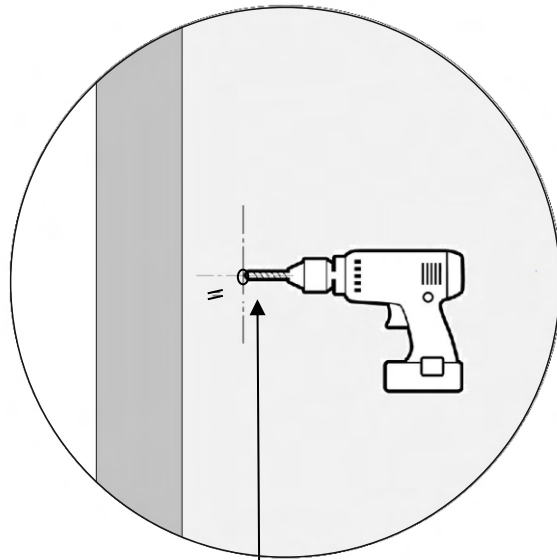
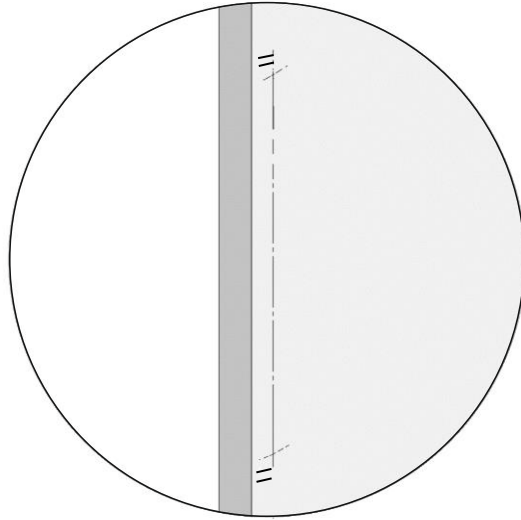
DDP.836.XX.XX.XX.XX

Size:-CC  
↓  
12"  
18"  
24"  
36"  
48"





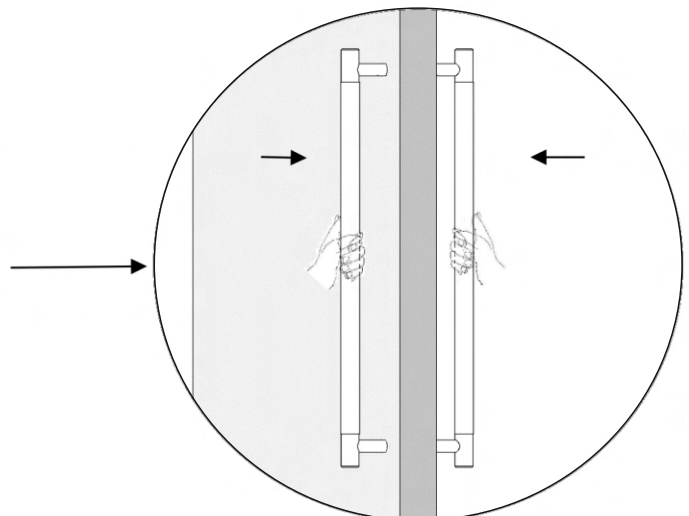
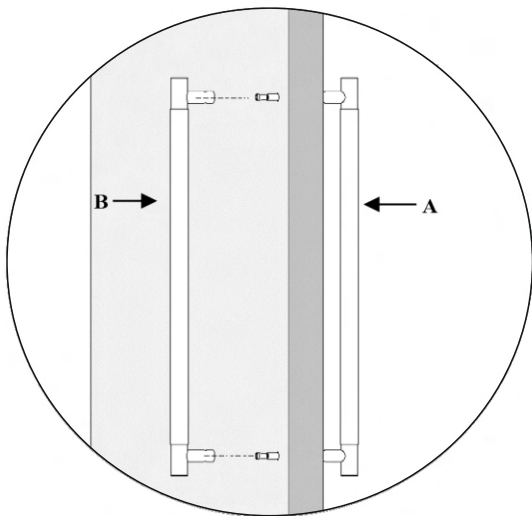
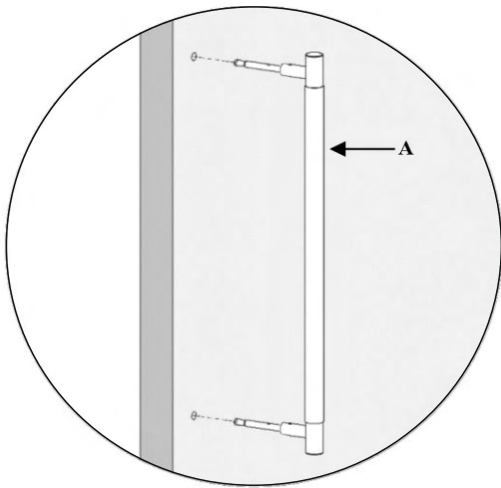
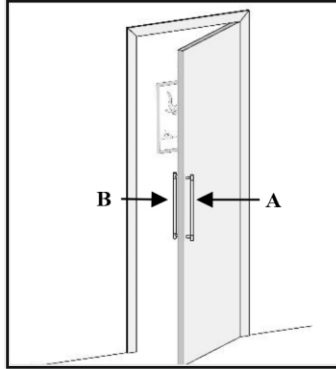
STEP-3



Drill  $\varnothing 9.5\text{mm}$   $\frac{+0.40}{-0.00}$

$\frac{3}{8}''$   $\frac{+1/64''}{-0.00}$

STEP-4



STEP-5

