



Satin Brass (Finish ID:13)

## ALHAMBRA BACK TO BACK DOOR PULL

“The architecture of the Alhambra palace is drawn from a mix of cultures and decorative elements, Moorish poets described it as a pearl set in emeralds. Our Alhambra suite is inspired by the columns in the palace, characterised by their elegance rather than grandeur.”

Item Code	Size (mm & Inches)	Material	Size (Inches)				Fig.	
			A	B	C	D		
1	DDP.834.12".XX.XXX.XXXX	304.8mm (12")	Brass	13.58	0.98	12	1.62	1
2	DDP.834.18".XX.XXX.XXXX	457.2mm (18")	Brass	19.57	0.98	18	1.62	1
3	DDP.834.24".XX.XXX.XXXX	609.6mm (24")	Brass	25.59	0.98	24	1.62	1
4	DDP.834.36".XX.XXX.XXXX	914.4mm (36")	Brass	37.58	0.98	36	1.62	1
5	DDP.834.12".XX.XXX.XXXX	304.8mm (12")	Leopard Hammered over Brass	13.58	0.98	12	1.62	1
6	DDP.834.18".XX.XXX.XXXX	457.2mm (18")	Leopard Hammered over Brass	19.57	0.98	18	1.62	1
7	DDP.834.24".XX.XXX.XXXX	609.6mm (24")	Leopard Hammered over Brass	25.59	0.98	24	1.62	1
8	DDP.834.36".XX.XXX.XXXX	914.4mm (36")	Leopard Hammered over Brass	37.58	0.98	36	1.62	1

“XX” in item code denotes Finish ID.

“XXX” in item code denotes Door Thickness.

“XXXX” in item code denotes Door Material.

This product is Supplied with Mounting Kit including with the Order.

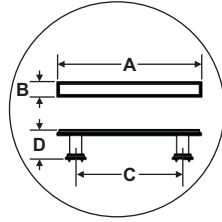



















FIG. 1

## How to Order

DDP.834.12".13.WOOD.1 3/4"

BACK TO BACK DOOR PULL      STYLE : ALHAMBRA      SIZE : CC 12 INCH      FINISH ID : 13      DOOR MATERIAL : WOOD      DOOR THICKNESS : 1 3/4 INCH

## Alhambra Back To Back Door Pull Finish Options

Base Material : Brass		Standard Finishes (2-3 Weeks Delivery)				
						
Bright Chrome (Finish ID:2)	Brush Nickel (Finish ID:3)	Aged Brass (Finish ID:4)	Unlacquered Polished Brass (Finish ID:7U)	Polished Nickel (Finish ID:8)	Satin Brass (Finish ID:13)	
Base Material : Brass		Custom Finishes (3-4 Weeks Delivery)*				
						
Lacquered Polished Brass (Finish ID:7L)	Matte Black (Finish ID:19)	Satin Chrome (Finish ID:24)	Split Black and Polished Nickel (Finish ID:48)	Split Black and Satin Brass (Finish ID:49)	Split Black And Chrome (Finish ID:59)	Graphite (Finish ID:61)
						
Split Brush Nickel and Satin Brass (Finish ID:78)	Titanium (Finish ID:79)	Split Graphite and Satin Brass (Finish ID:90)	Split Graphite and Brush Chrome (Finish ID:91)	Ombre (Finish ID:92)	Brush Chrome (Finish ID:95)	Leopard Hammered over Brush Nickel (Finish ID:99-3)
						
Leopard Hammered over Aged Brass (Finish ID:99-4)	Leopard Hammered over Polished Nickel (Finish ID:99-8)	Leopard Hammered over Satin Brass (Finish ID:99-13)				

- Custom finishes cannot be returned or refunded. We are unable to accept cancellations for custom finish order unless within 48 hours of the order being placed.
- We have uniform pricing for all non-hammered finishes listed above as long as base material and size is same.
- Contact us for customized finishes, refer pages F1, F2, F3 & F4 for finish glossary.

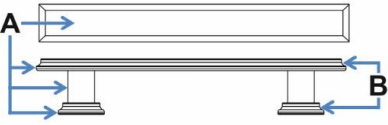
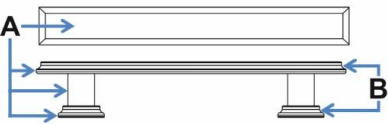
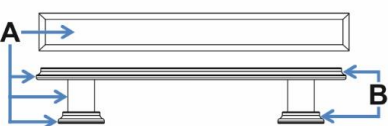
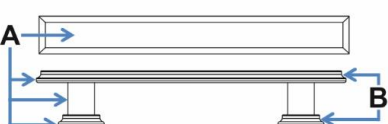
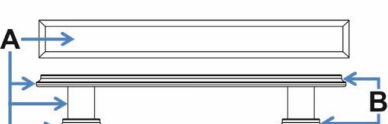

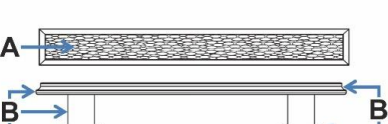
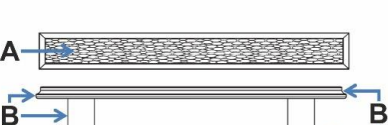
---

Door Material	Door Thickness
1. Wood	5/16", 3/8", 1/2", 3/4", 1", 1 1/4", 1 1/2", 1 3/4", 2", 2 1/4", 2 1/2"
2. Metal	5/16", 3/8", 1/2", 3/4", 1", 1 1/4", 1 1/2", 1 3/4", 2", 2 1/4", 2 1/2"
3. Glass	5/16", 3/8", 1/2", 3/4", 1"

- Custom finishes cannot be returned or refunded. We are unable to accept cancellations for custom finish order unless within 48 hours of the order being placed.
- We have uniform pricing for all non-hammered finishes listed above as long as base material and size is same.
- Contact us for customized finishes, refer pages F1, F2, F3 & F4 for finish glossary.

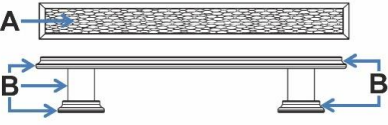
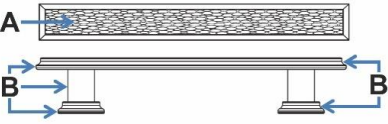
## Alhambra Back To Back Door Pull Split Finish

DDP.834.XX.XX

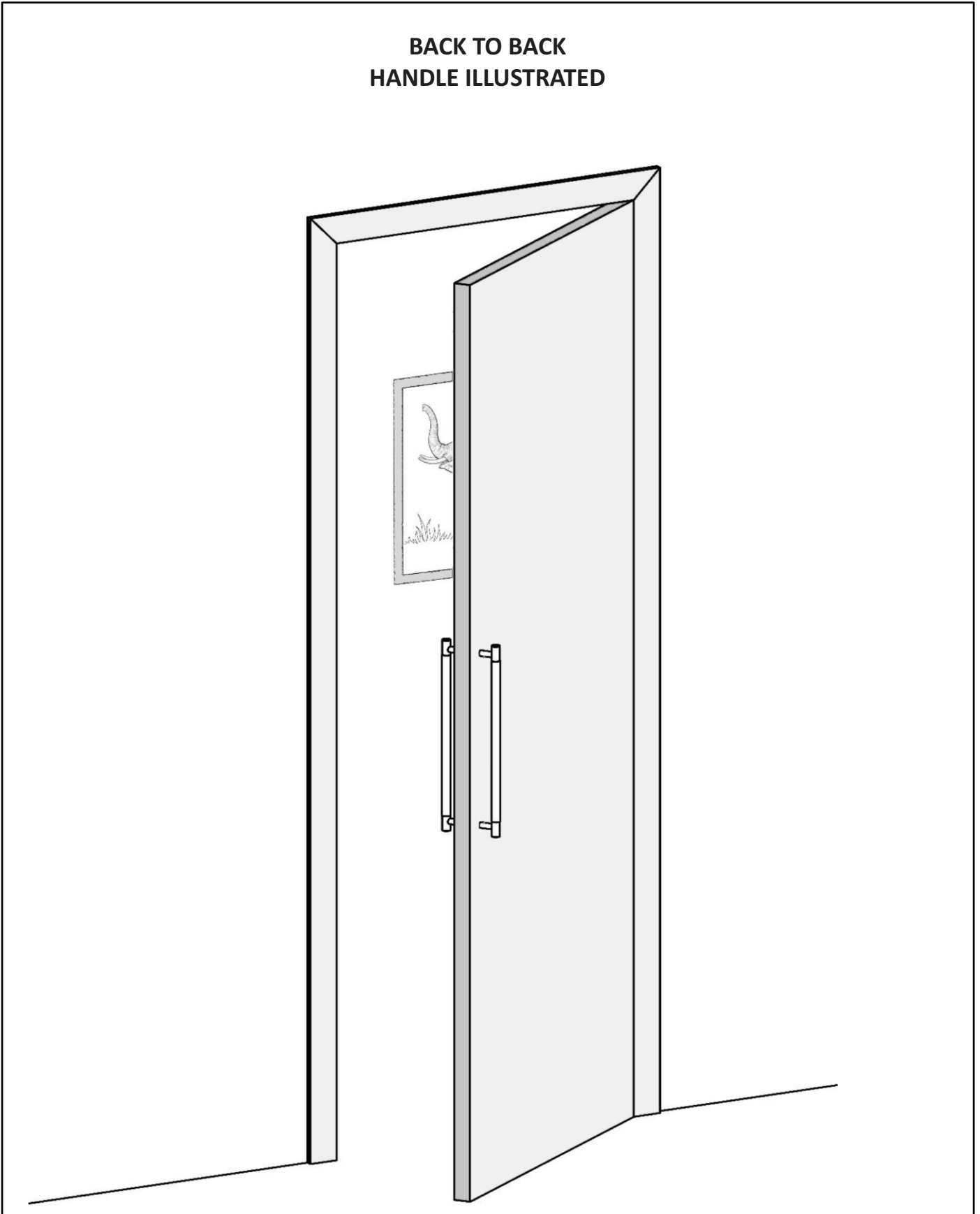
FINISH CODE (XX)	FINISH NAME	LINE DRAWING	A	B
DDP.834.XX.48	Split Black and Polished Nickel		Matte Black	Polished Nickel
DDP.834.XX.49	Split Black and Satin Brass		Matte Black	Satin Brass
DDP.834.XX.59	Split Black and Chrome		Matte Black	Bright Chrome
DDP.834.XX.78	Split Brush Nickel and Satin Brass		Brush Nickel	Satin Brass
DDP.834.XX.90	Split Graphite and Satin Brass		Graphite	Satin Brass
DDP.834.XX.91	Split Graphite and Brush Chrome		Graphite	Brush Chrome
DDP.834.XX.99-3	Hammered Texture over Brush Nickel		Hammered Texture over Brush Nickel	Brush Nickel
DDP.834.XX.99-4	Hammered Texture over Aged Brass		Hammered Texture over Aged Brass	Aged Brass

**Alhambra Back To Back Door Pull Split Finish**

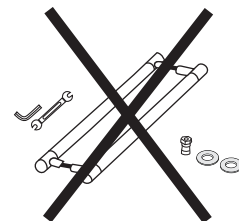
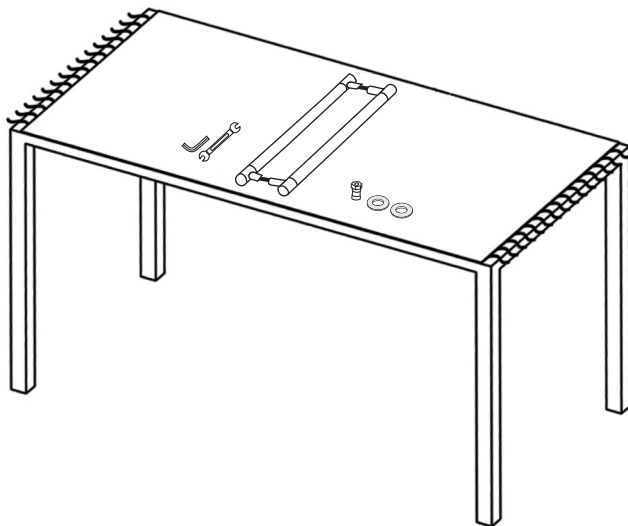
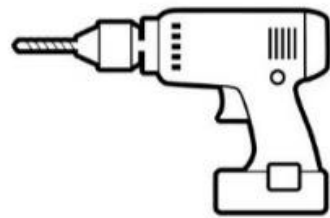
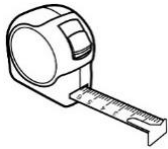
**DDP.834.XX.XX**

FINISH CODE (XX)	FINISH NAME	LINE DRAWING	A	B
DDP.834.XX.99-8	Hammered Texture over Polished Nickel		Hammered Texture over Polished Nickel	Polished Nickel
DDP.834.XX.99-13	Hammered Texture over Satin Brass		Hammered Texture over Satin Brass	Satin Brass

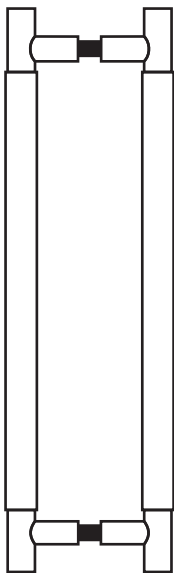
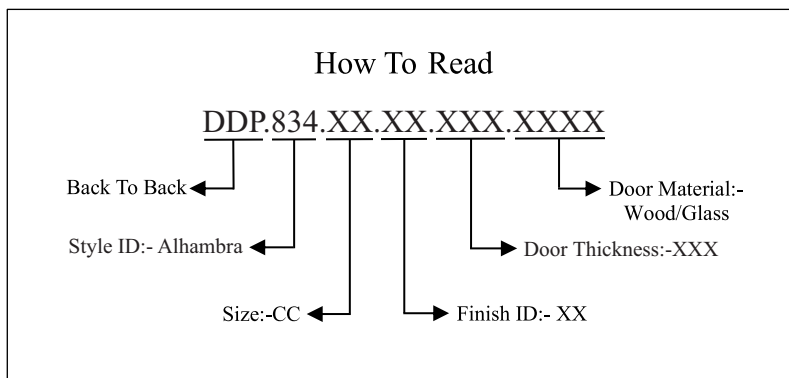
**BACK TO BACK  
HANDLE ILLUSTRATED**



Required Tools



Step Wise Packing List			
S.No.	Part Number	Qty	Steps
1	DDP.834.XX.XX.XXX.XXXX	1x	1
2	SLEEVE	1x	1
3	LNKY2.5	1x	1
4	INSERT	1x	1
5	WASHER	2x	1
6	DDP.SPANNER (No.10,11)	1x	4
7	Manual	1x	-



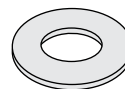
DDP.834.XX.XX.XXX.XXXX



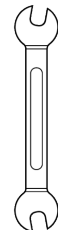
LNKY2.5



INSERT



WASHER

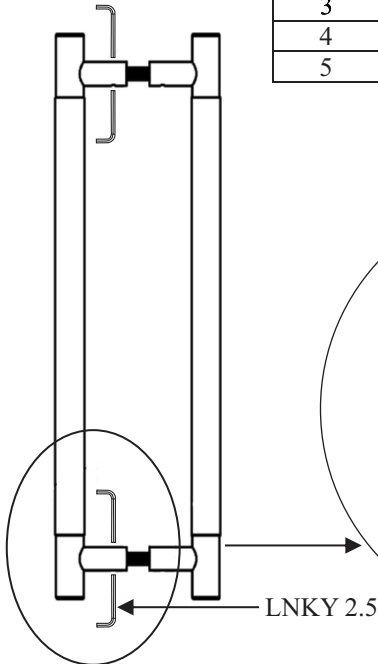


DDP.SPANNER (No.10,11)

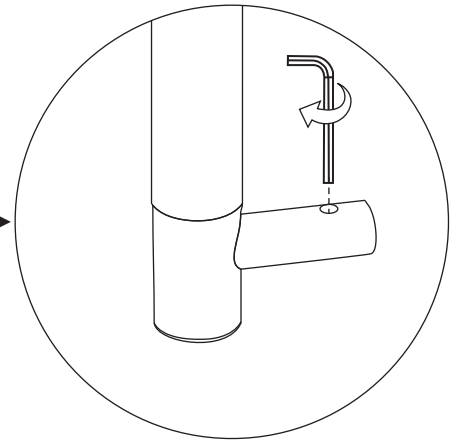
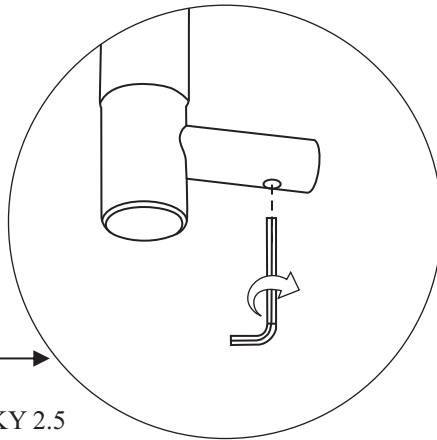


STEP-1

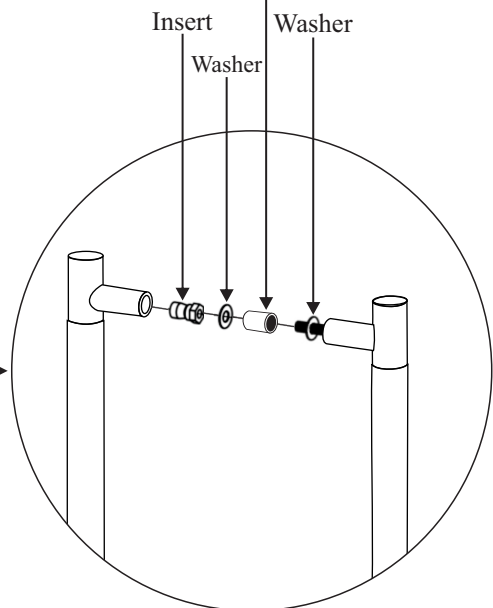
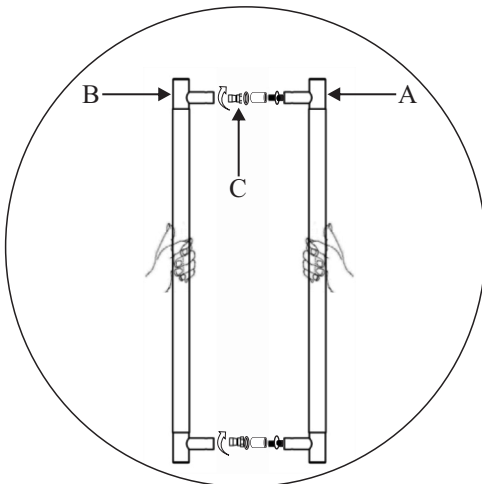
Step Wise Packing List			
S.No.	Part Number	Qty	Steps
1	DDP.834.XX.XX.XXX.XXXX	1x	1
2	SLEEVE	1x	1
3	LNKY2.5	1x	1
4	INSERT	1x	1
5	WASHER	2x	1



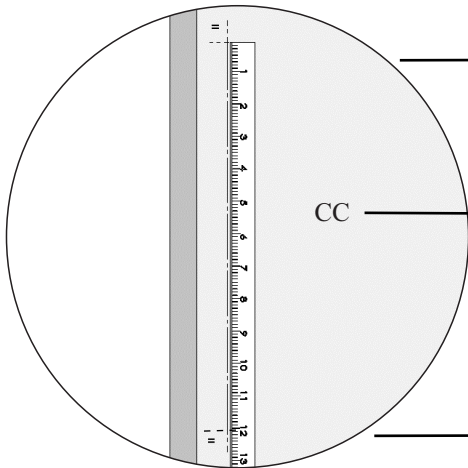
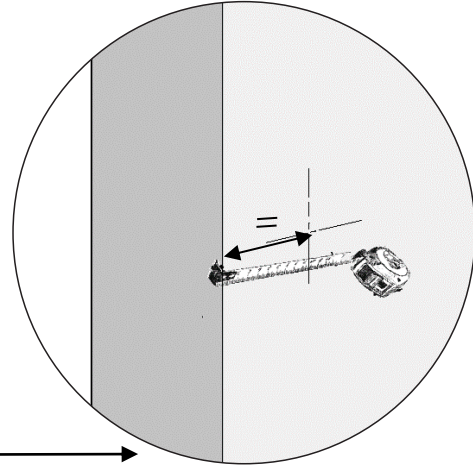
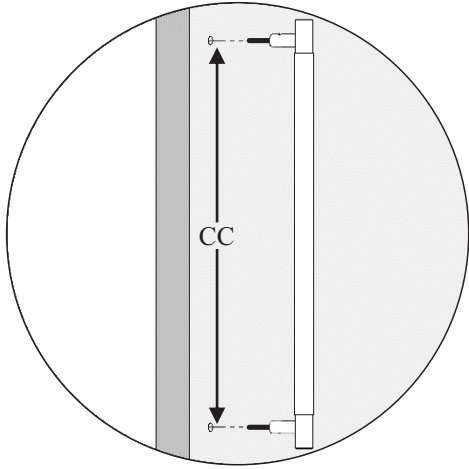
DDP.834.XX.XX.XXX.XXXX



Including only  
Glass Door  
use Sleeve



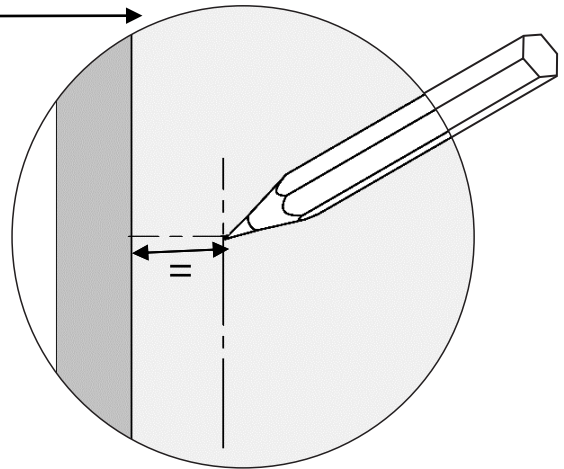
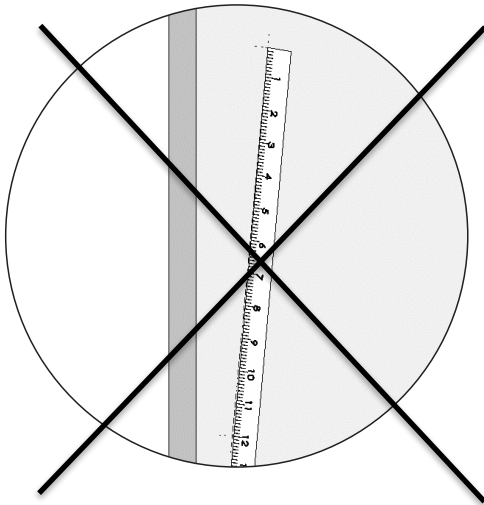
STEP-2



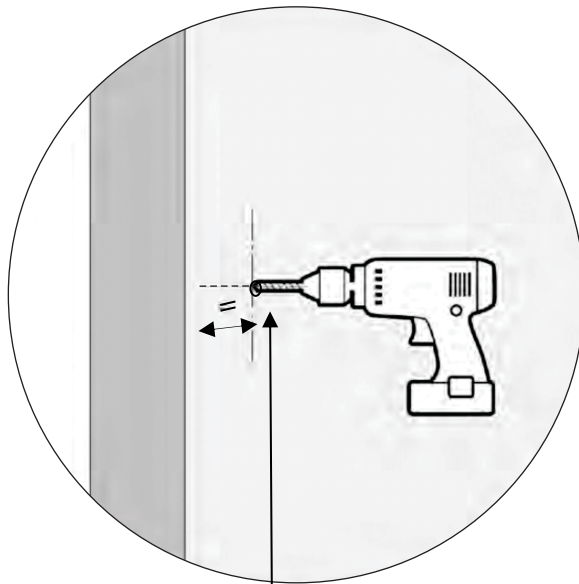
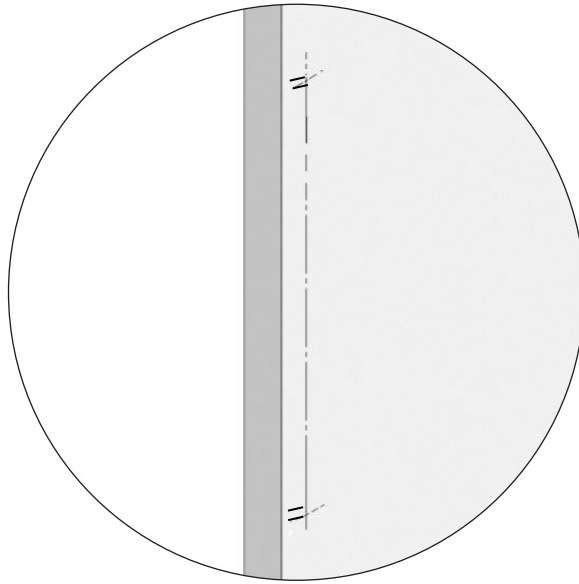
DDP.834.XX.XX.XXX.XXXX

Size:-CC

- 12"
- 18"
- 24"
- 36"



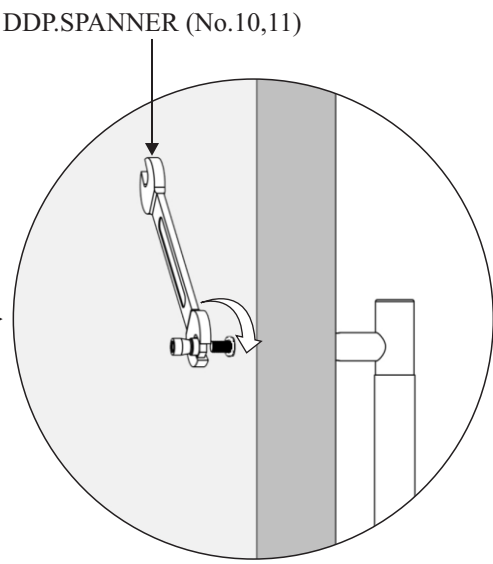
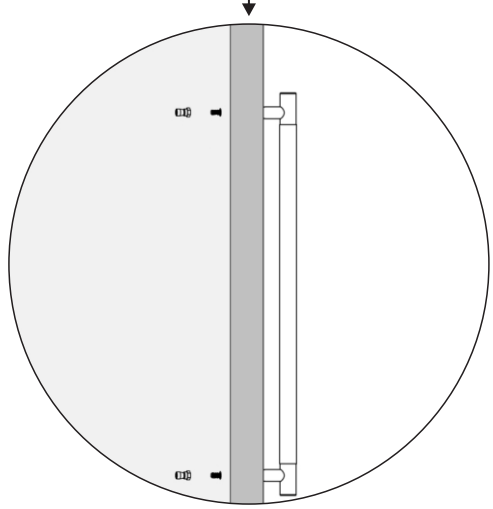
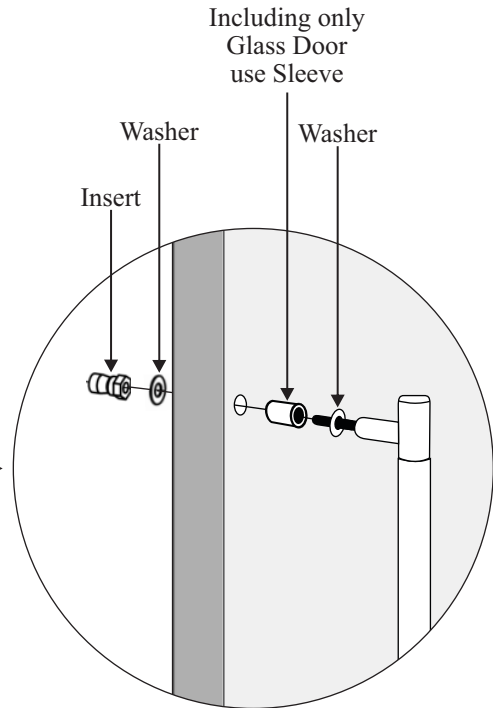
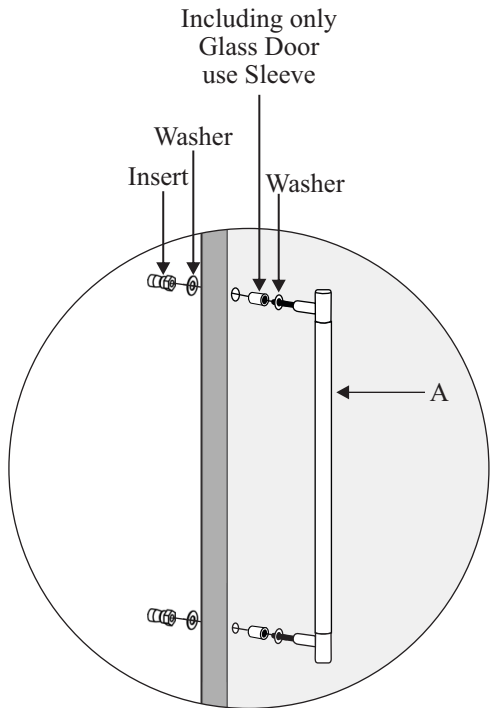
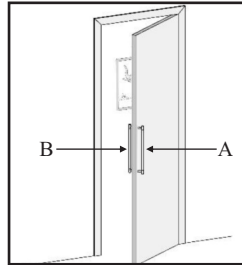
STEP-3



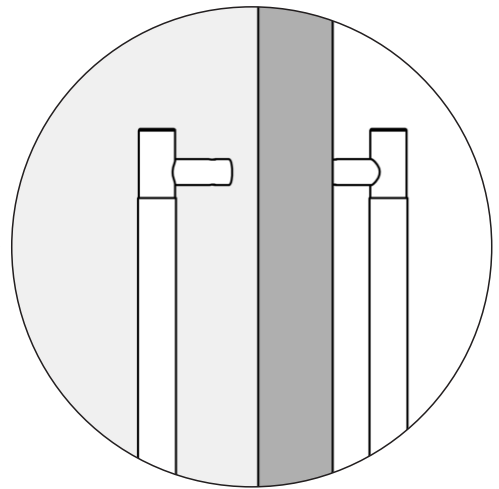
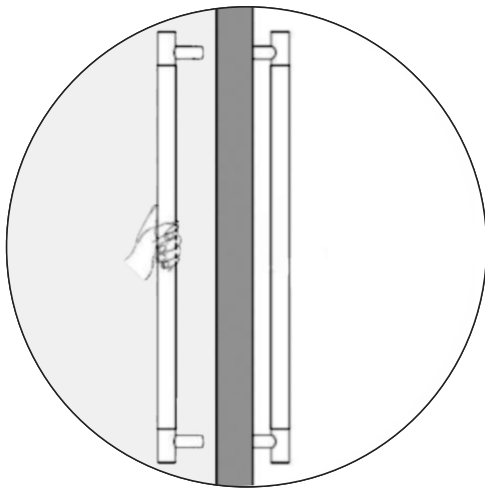
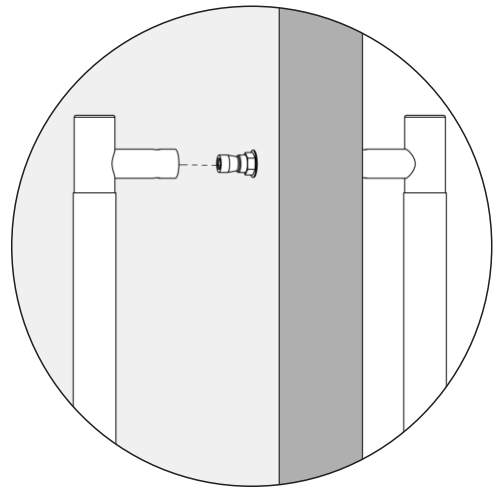
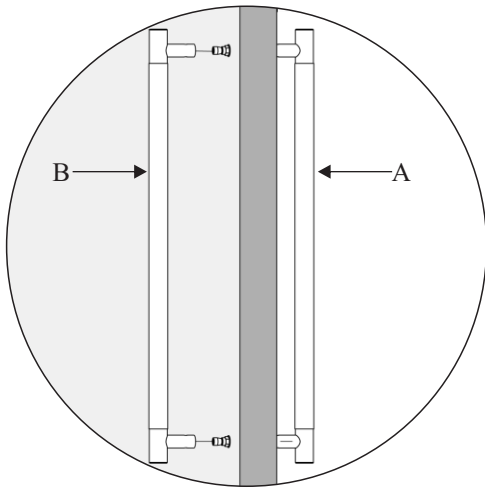
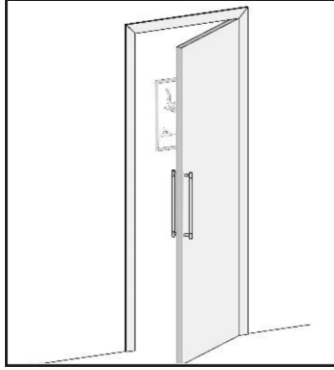
DRILL SIZE			
	Glass	Wood	Metal
DDP	3/8" (9.5mm)	1/4" (6.4mm)	1/4" (6.4mm)

STEP-4

Step Wise Packing List			
S.No.	Part Number	Qty	Steps
6	DDP.SPANNER (No.10,11)	1x	4



STEP-5



STEP-6

