



Bright Chrome (Finish ID:2)

STALK BACK TO BACK DOOR PULL

Bamboo has been used as a building material for more than 7000 years, more widely understood in the 1920's. Stalk reflects the trend where more and more architects are seeing the beauty, intelligence and sustain ability of using bamboo for construction and surface decoration.

| | Item Code | Size (mm & Inches) | Material | Size (Inches) | | | | Fig. |
|---|-------------------------|--------------------|----------|---------------|------|----|------|------|
| | | | | A | B | C | D | |
| 1 | DDP.833.12".XX.XXX.XXXX | 304.8mm (12") | Brass | 14.49 | 0.98 | 12 | 2.22 | 1 |
| 2 | DDP.833.18".XX.XXX.XXXX | 457.2mm (18") | Brass | 20.51 | 0.98 | 18 | 2.22 | 1 |
| 3 | DDP.833.12".XX.XXX.XXXX | 304.8mm (12") | Bronze | 14.49 | 0.98 | 12 | 2.22 | 1 |
| 4 | DDP.833.18".XX.XXX.XXXX | 457.2mm (18") | Bronze | 20.51 | 0.98 | 18 | 2.22 | 1 |

"XX" in item code denotes Finish ID.
"XXX" in item code denotes Door Thickness.
"XXXX" in item code denotes Door Material.

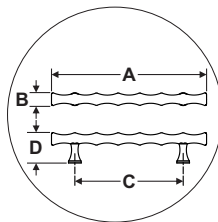
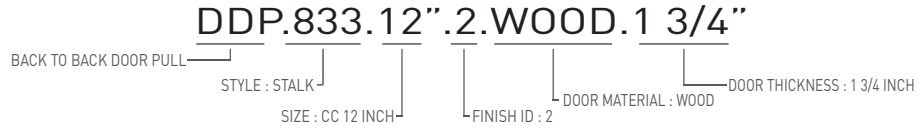


FIG. 1

This product is Supplied with Mounting Kit including with the Order.

How to Order



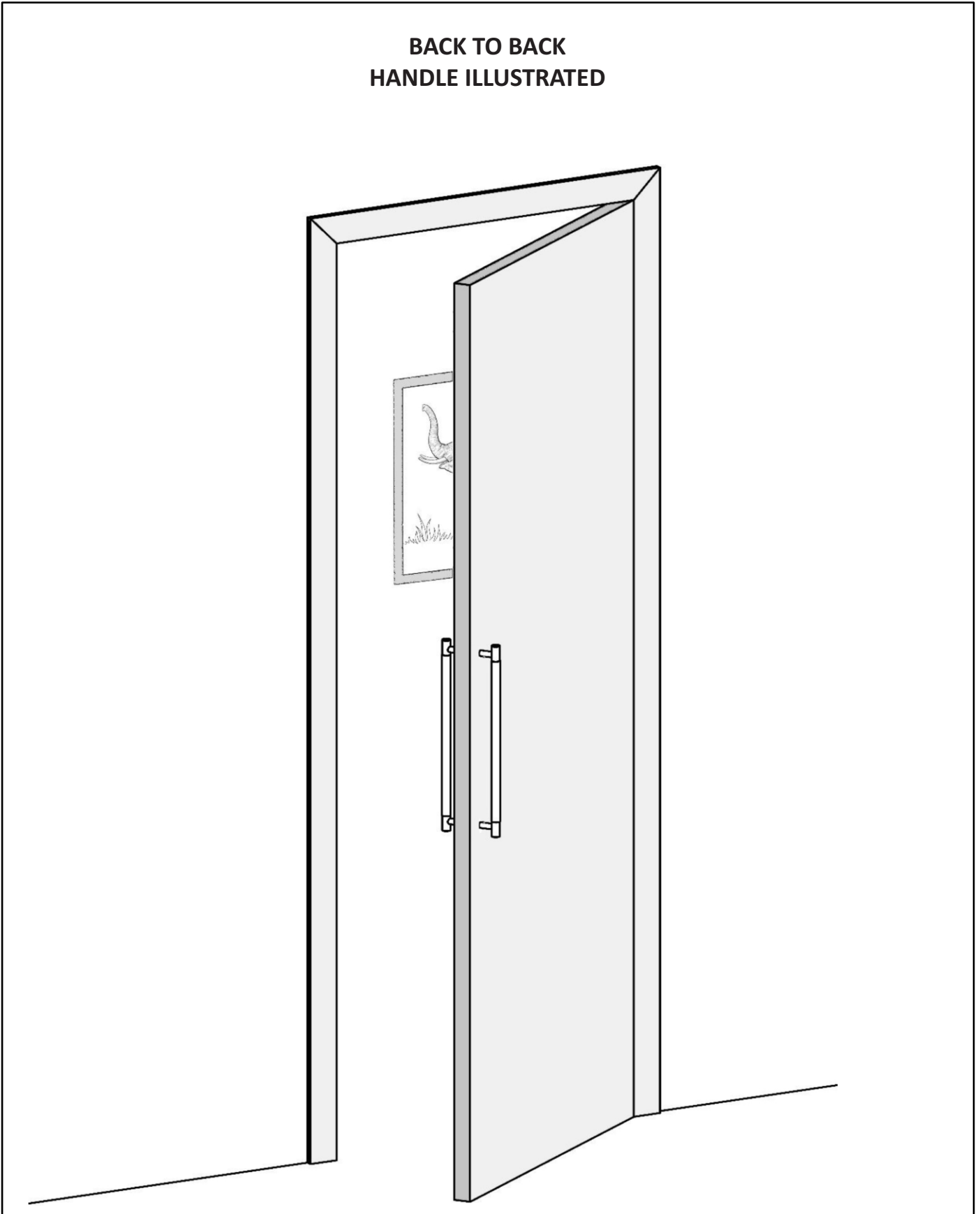
Stalk Back To Back Door Pull Finish Options

| | | | | | | | |
|---|---|---|---|----------------------------------|---|----------------------------------|--------------------------------|
| Base Material : Brass | Standard Finishes (2-3 Weeks Delivery) | | | | | | |
| | | | | | | | |
| <table style="width: 100%; text-align: center; font-size: small;"> <tr> <td>Bright Chrome (Finish ID:2)</td> <td>Brush Nickel (Finish ID:3)</td> <td>Aged Brass (Finish ID:4)</td> <td>Unlacquered Polished Brass (Finish ID:7U)</td> <td>Polished Nickel (Finish ID:8)</td> <td>Satin Brass (Finish ID:13)</td> </tr> </table> | | Bright Chrome (Finish ID:2) | Brush Nickel (Finish ID:3) | Aged Brass (Finish ID:4) | Unlacquered Polished Brass (Finish ID:7U) | Polished Nickel (Finish ID:8) | Satin Brass (Finish ID:13) |
| Bright Chrome (Finish ID:2) | Brush Nickel (Finish ID:3) | Aged Brass (Finish ID:4) | Unlacquered Polished Brass (Finish ID:7U) | Polished Nickel (Finish ID:8) | Satin Brass (Finish ID:13) | | |
| Base Material : Brass | Custom Finishes (3-4 Weeks Delivery)* | | | | | | |
| | | | | | | | |
| <table style="width: 100%; text-align: center; font-size: small;"> <tr> <td>Lacquered Polished Brass (Finish ID:7L)</td> <td>Matte Black (Finish ID:19)</td> <td>Graphite (Finish ID:61)</td> <td>Titanium (Finish 79)</td> <td>Ombre (Finish ID:92)</td> <td>Brush Chrome (Finish ID:95)</td> </tr> </table> | | Lacquered Polished Brass (Finish ID:7L) | Matte Black (Finish ID:19) | Graphite (Finish ID:61) | Titanium (Finish 79) | Ombre (Finish ID:92) | Brush Chrome (Finish ID:95) |
| Lacquered Polished Brass (Finish ID:7L) | Matte Black (Finish ID:19) | Graphite (Finish ID:61) | Titanium (Finish 79) | Ombre (Finish ID:92) | Brush Chrome (Finish ID:95) | | |
| Base Material : Bronze | Custom Finishes (3-4 Weeks Delivery)* | | | | | | |
| | | | | | | | |
| <table style="width: 100%; text-align: center; font-size: small;"> <tr> <td>Silicon Bronze Light (Finish ID:53)</td> <td>Silicon Bronze Dark (Finish ID:53D)</td> <td>White Bronze (Finish ID:54)</td> </tr> </table> | | Silicon Bronze Light (Finish ID:53) | Silicon Bronze Dark (Finish ID:53D) | White Bronze (Finish ID:54) | | | |
| Silicon Bronze Light (Finish ID:53) | Silicon Bronze Dark (Finish ID:53D) | White Bronze (Finish ID:54) | | | | | |

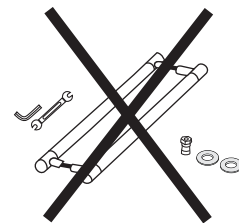
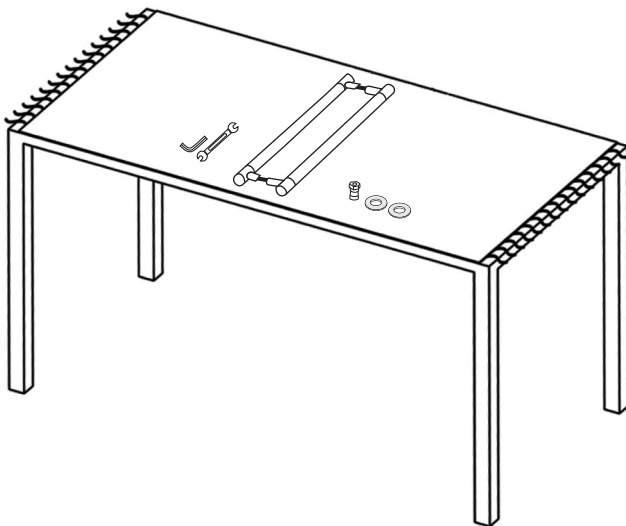
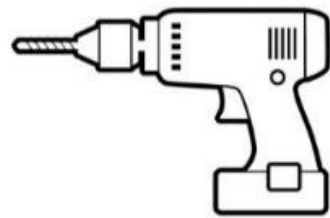
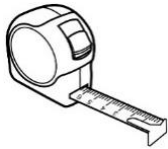
| Door Material | Door Thickness |
|---------------|---|
| 1. Wood | 5/16", 3/8", 1/2", 3/4", 1", 1 1/4", 1 1/2", 1 3/4", 2", 2 1/4", 2 1/2" |
| 2. Metal | 5/16", 3/8", 1/2", 3/4", 1", 1 1/4", 1 1/2", 1 3/4", 2", 2 1/4", 2 1/2" |
| 3. Glass | 5/16", 3/8", 1/2", 3/4", 1" |

- Custom finishes cannot be returned or refunded. We are unable to accept cancellations for custom finish order unless within 48 hours of the order being placed.
- We have uniform pricing for all non-hammered finishes listed above as long as base material and size is same.
- Contact us for customized finishes, refer pages F1, F2, F3 & F4 for finish glossary.

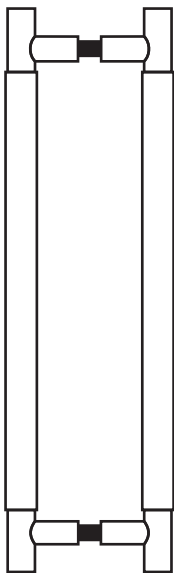
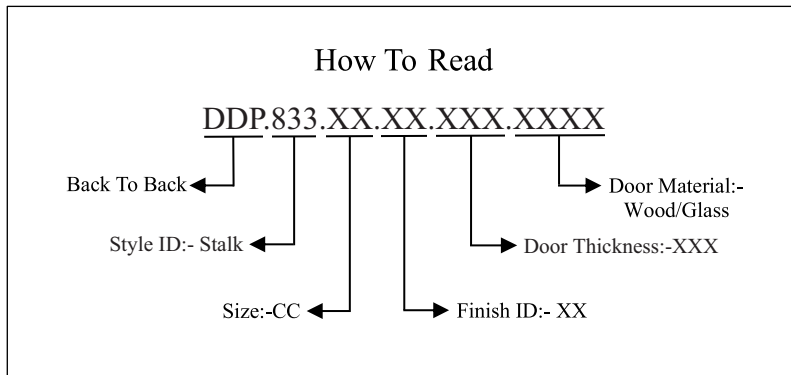
**BACK TO BACK
HANDLE ILLUSTRATED**



Required Tools



| Step Wise Packing List | | | |
|------------------------|------------------------|-----|-------|
| S.No. | Part Number | Qty | Steps |
| 1 | DDP.833.XX.XX.XXX.XXXX | 1x | 1 |
| 2 | SLEEVE | 1x | 1 |
| 3 | LNKY2.5 | 1x | 1 |
| 4 | INSERT | 1x | 1 |
| 5 | WASHER | 2x | 1 |
| 6 | DDP.SPANNER (No.10,11) | 1x | 4 |
| 7 | Manual | 1x | - |



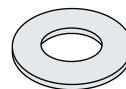
DDP.833.XX.XX.XXX.XXXX



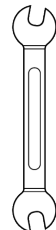
LNKY2.5



INSERT



WASHER

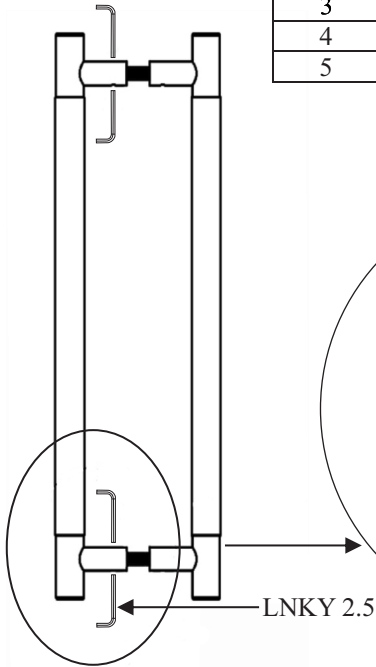


DDP.SPANNER (No.10,11)

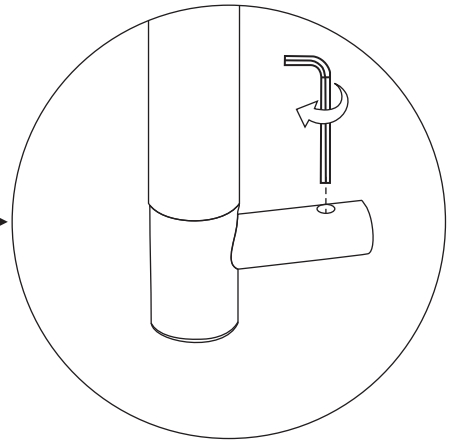
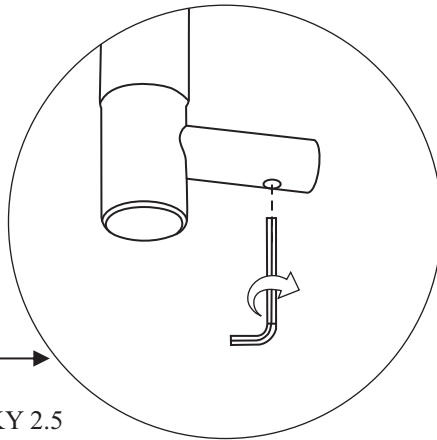


STEP-1

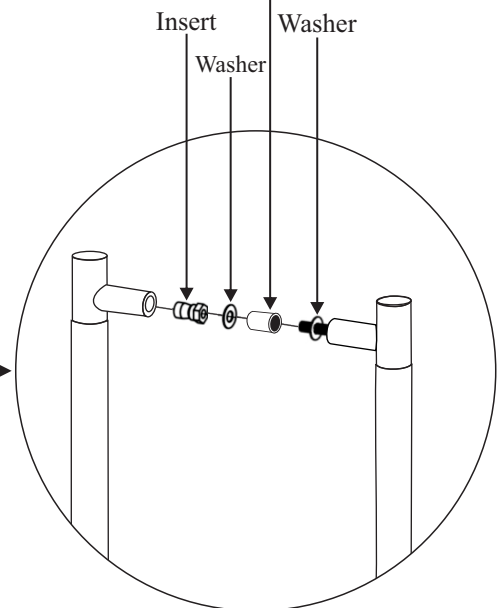
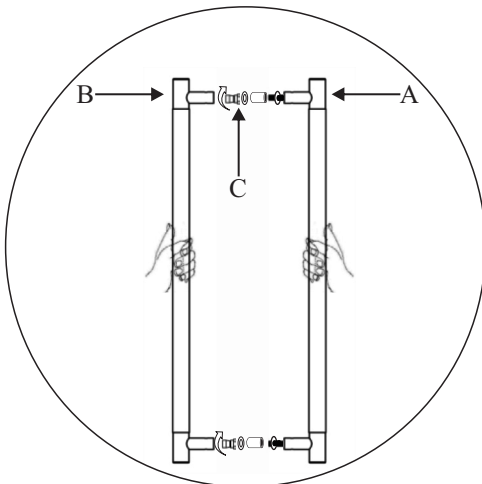
| Step Wise Packing List | | | |
|------------------------|------------------------|-----|-------|
| S.No. | Part Number | Qty | Steps |
| 1 | DDP.833.XX.XX.XXX.XXXX | 1x | 1 |
| 2 | SLEEVE | 1x | 1 |
| 3 | LNKY2.5 | 1x | 1 |
| 4 | INSERT | 1x | 1 |
| 5 | WASHER | 2x | 1 |



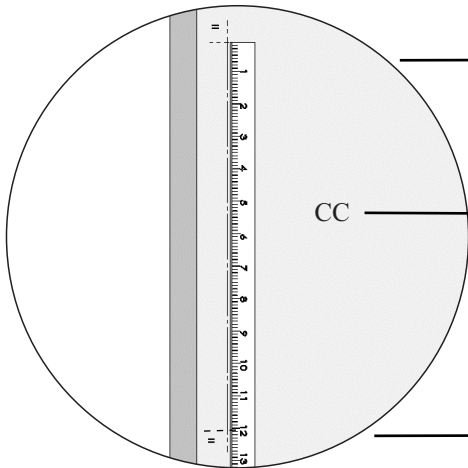
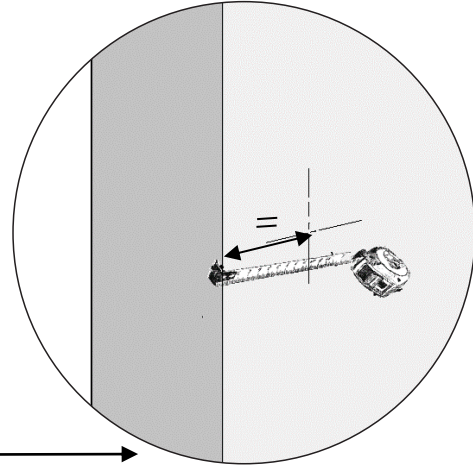
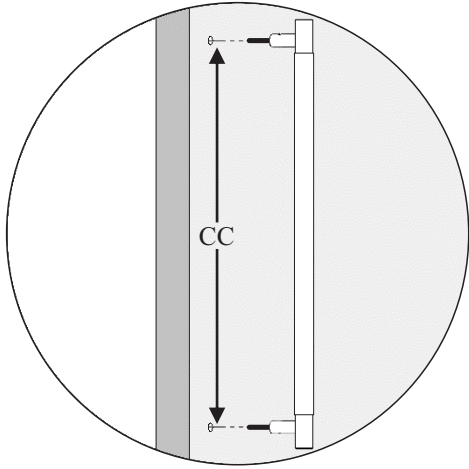
DDP.833.XX.XX.XXX.XXXX



Including only
Glass Door
use Sleeve

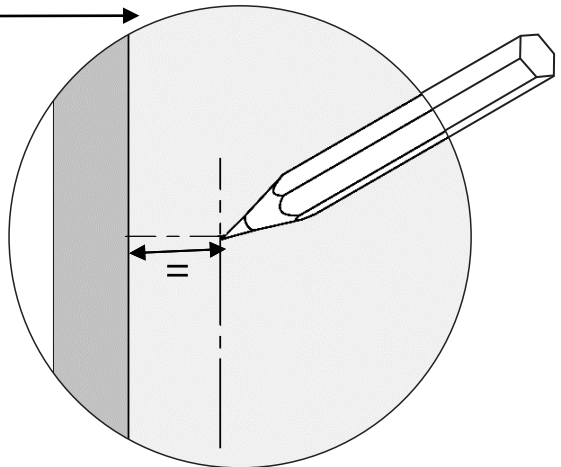
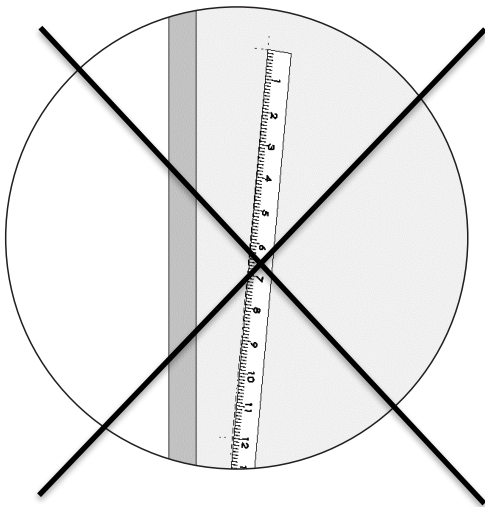


STEP-2

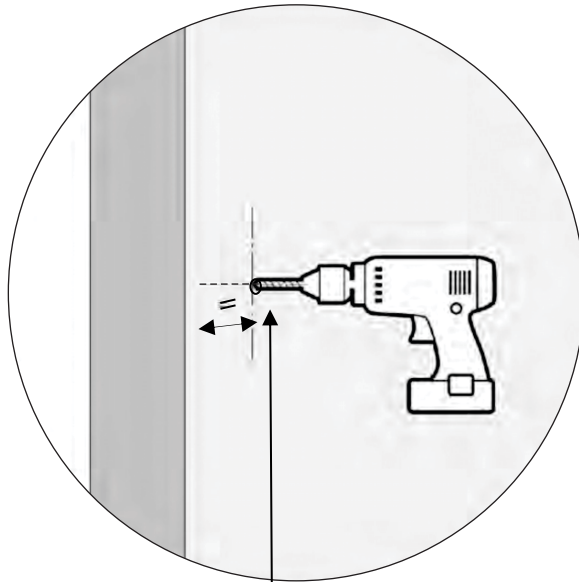
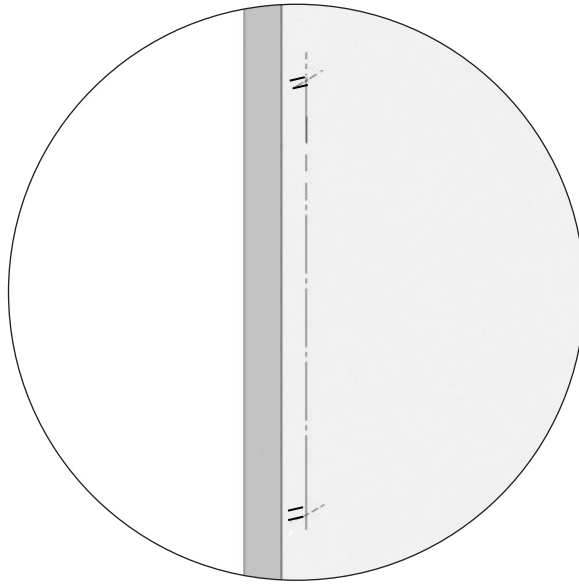


DDP.833.XX.XX.XXX.XXXX

Size:-CC
↓
12"
18"



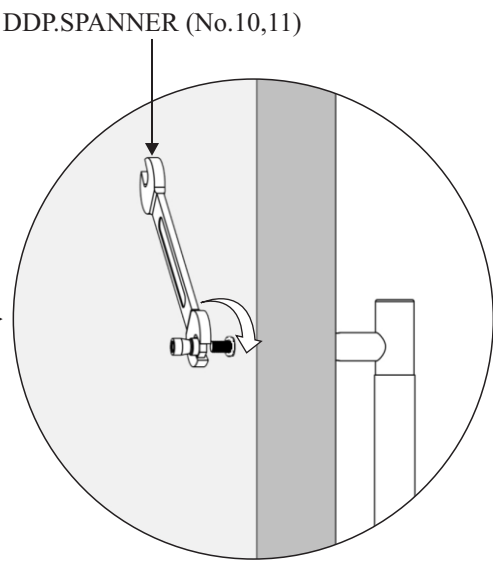
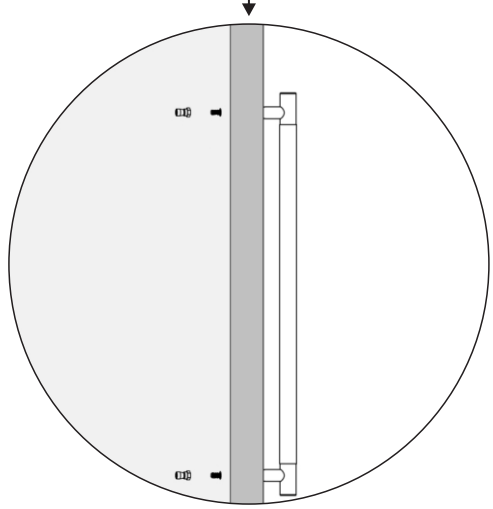
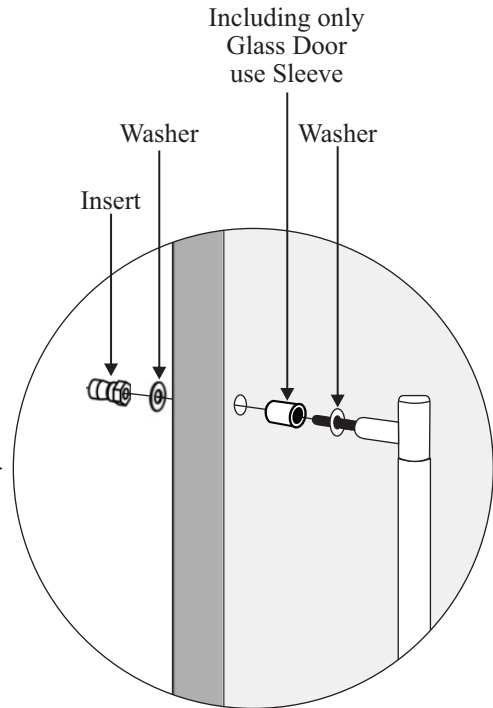
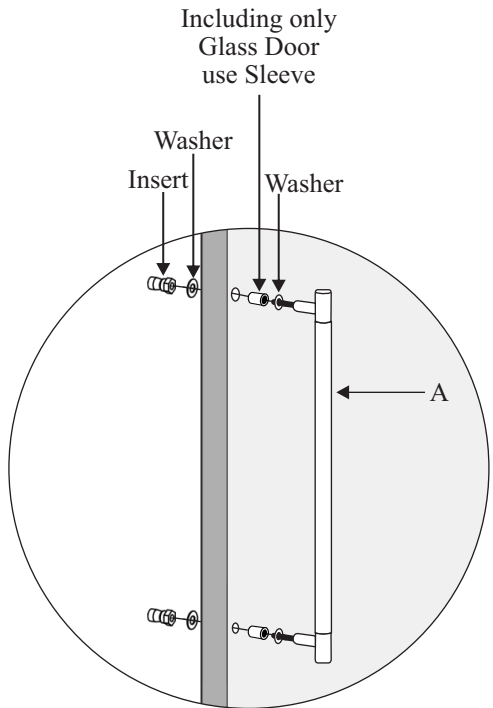
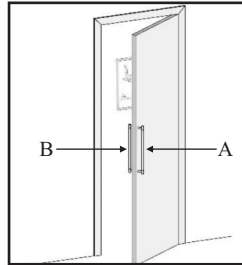
STEP-3



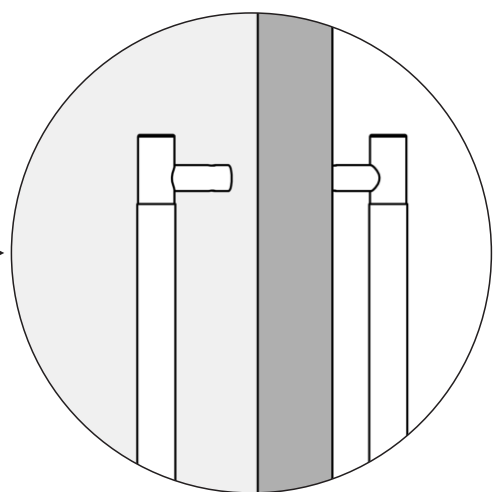
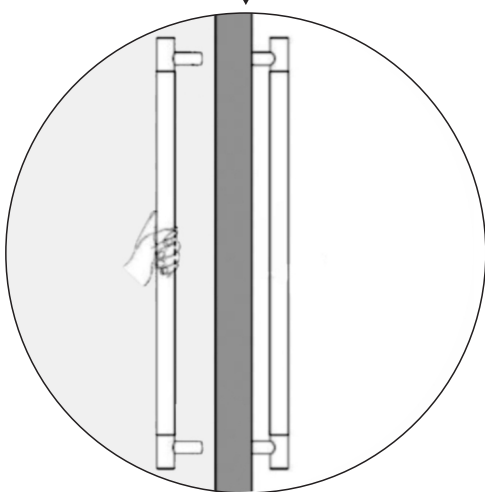
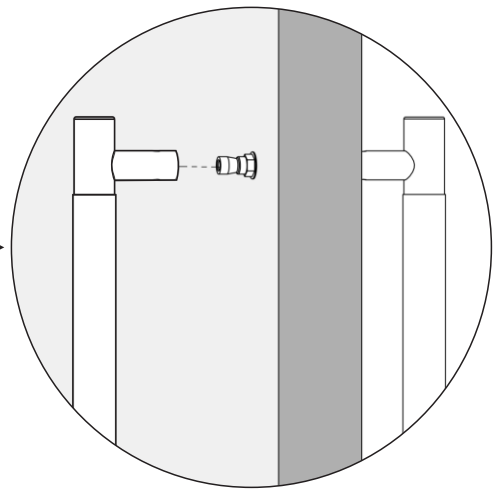
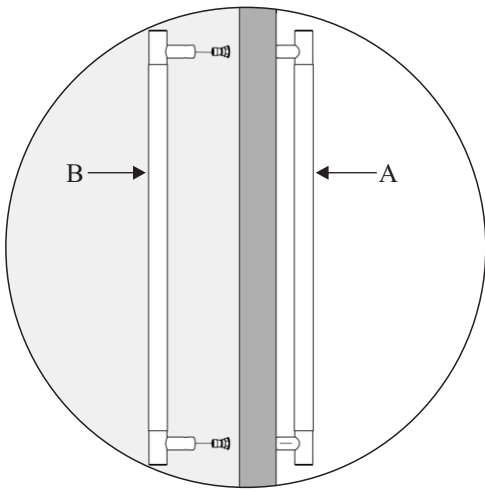
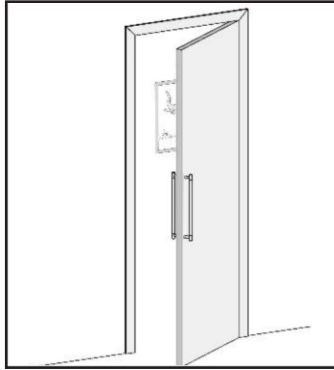
| DRILL SIZE | | | |
|------------|-----------------|-----------------|-----------------|
| | Glass | Wood | Metal |
| DDP | 3/8" (9.5mm) | 1/4" (6.4mm) | 1/4" (6.4mm) |

STEP-4

| Step Wise Packing List | | | |
|------------------------|------------------------|-----|-------|
| S.No. | Part Number | Qty | Steps |
| 6 | DDP.SPANNER (No.10,11) | 1x | 4 |



STEP-5



STEP-6

