



Matte Black (Finish ID:19)

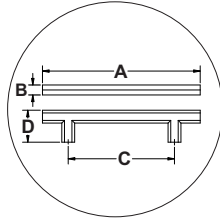
HEXAD BACK TO BACK DOOR PULL

“Hexad again seeks inspiration from nature, bees form the bedrock of all civilization. They choose the six sided hexagon as the most effective shape to store honey in their hives as they fit together perfectly”.

	Item Code	Size (mm & Inches)	Material	Size (Inches)				Fig.
				A	B	C	D	
1	DDP.643.12".XX.XXX.XXXX	304.8mm (12")	Brass	15	0.87	12	2.4	1
2	DDP.643.18".XX.XXX.XXXX	457.2mm (18")	Brass	21	0.87	18	2.4	1
3	DDP.643.24".XX.XXX.XXXX	609.6mm (24")	Brass	27	0.87	24	2.4	1
4	DDP.643.36".XX.XXX.XXXX	914.4mm (36")	Brass	39	0.87	36	2.4	1
5	DDP.643.12".XX.XXX.XXXX	304.8mm (12")	Bronze	15	0.87	12	2.4	1
6	DDP.643.18".XX.XXX.XXXX	457.2mm (18")	Bronze	21	0.87	18	2.4	1
7	DDP.643.24".XX.XXX.XXXX	609.6mm (24")	Bronze	27	0.87	24	2.4	1
8	DDP.643.36".XX.XXX.XXXX	914.4mm (36")	Bronze	39	0.87	36	2.4	1

“XX” in item code denotes Finish ID.
“XXX” in item code denotes Door Thickness.
“XXXX” in item code denotes Door Material.

This product is Supplied with Mounting Kit including with the Order.



How to Order

DDP.643.12".19.WOOD.1 3/4"

BACK TO BACK DOOR PULL
STYLE : HEXAD
SIZE : CC 12 INCH
FINISH ID : 19
DOOR MATERIAL : WOOD
DOOR THICKNESS : 1 3/4 INCH

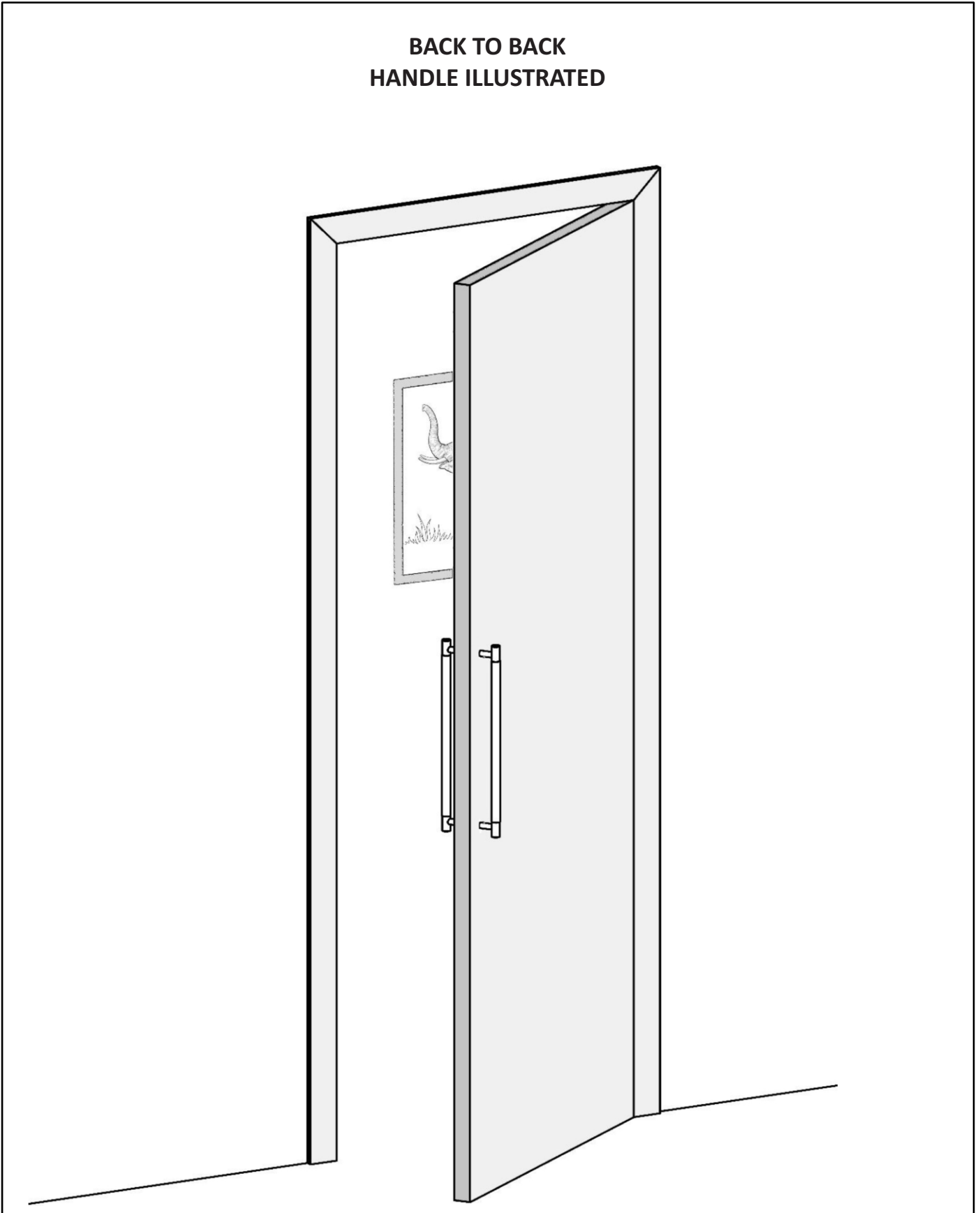
Hexad Back To Back Door Pull Finish Options

Base Material : Brass	Standard Finishes (2-3 Weeks Delivery)
Base Material : Brass	Custom Finishes (3-4 Weeks Delivery)*
Base Material : Bronze	Custom Finishes (3-4 Weeks Delivery)*

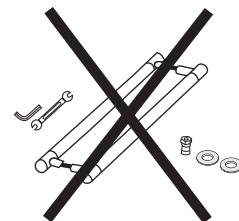
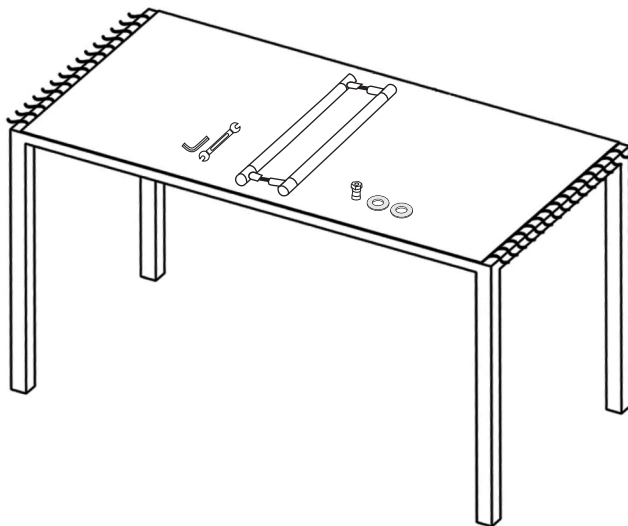
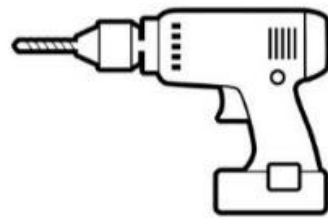
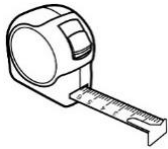
Door Material	Door Thickness
1. Wood	5/16", 3/8", 1/2", 3/4", 1", 1 1/4", 1 1/2", 1 3/4", 2", 2 1/4", 2 1/2"
2. Metal	5/16", 3/8", 1/2", 3/4", 1", 1 1/4", 1 1/2", 1 3/4", 2", 2 1/4", 2 1/2"
3. Glass	5/16", 3/8", 1/2", 3/4", 1"

- Custom finishes cannot be returned or refunded. We are unable to accept cancellations for custom finish order unless within 48 hours of the order being placed.
- We have uniform pricing for all non-hammered finishes listed above as long as base material and size is same.
- Contact us for customized finishes, refer pages F1, F2, F3 & F4 for finish glossary.

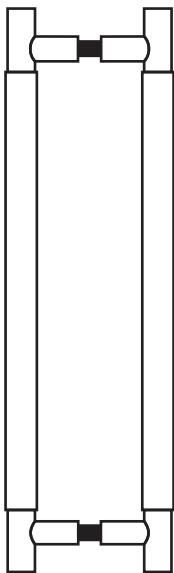
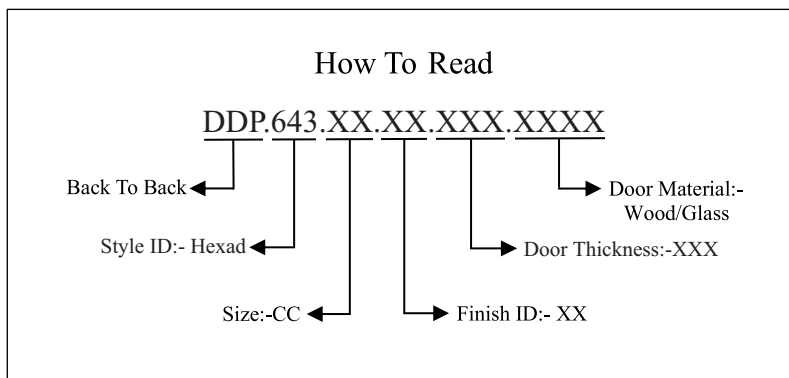
**BACK TO BACK
HANDLE ILLUSTRATED**



Required Tools



Step Wise Packing List			
S.No.	Part Number	Qty	Steps
1	DDP.643.XX.XX.XXX.XXXX	1x	1
2	SLEEVE	1x	1
3	LNKY2.5	1x	1
4	INSERT	1x	1
5	WASHER	2x	1
6	DDP.SPANNER (No.10,11)	1x	4
7	Manual	1x	-



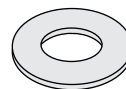
DDP.643.XX.XX.XXX.XXXX



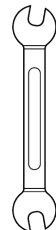
LNKY2.5



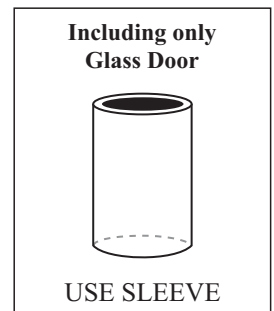
INSERT



WASHER

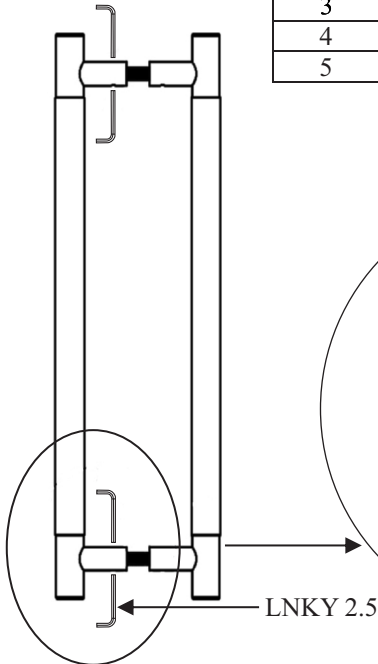


DDP.SPANNER (No.10,11)

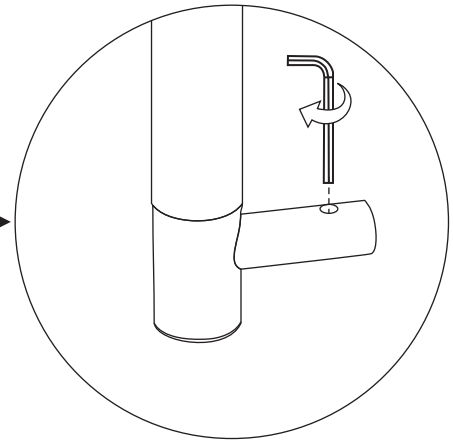
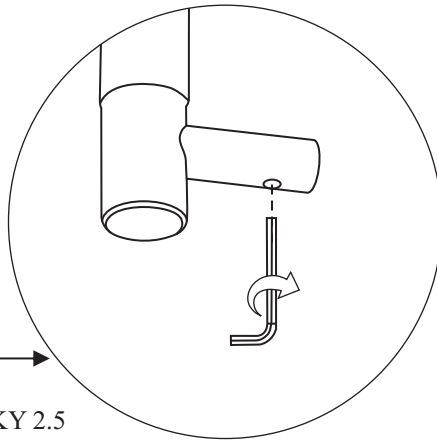


STEP-1

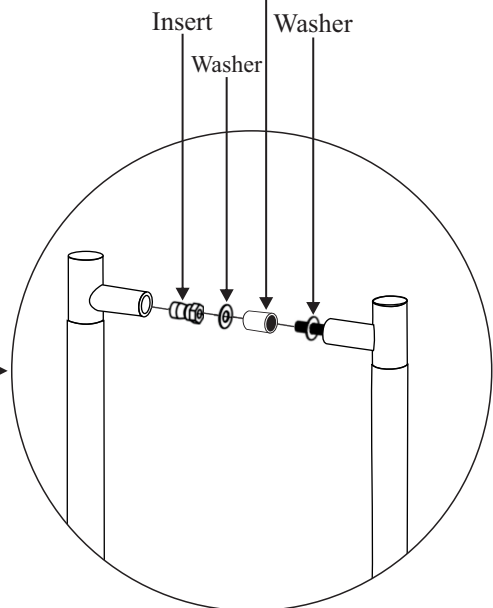
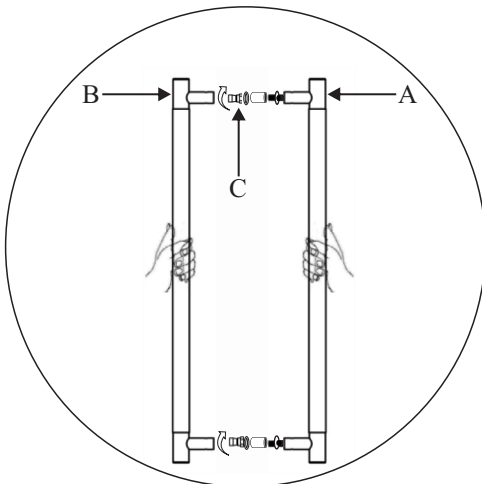
Step Wise Packing List			
S.No.	Part Number	Qty	Steps
1	DDP.643.XX.XX.XXX.XXXX	1x	1
2	SLEEVE	1x	1
3	LNKY2.5	1x	1
4	INSERT	1x	1
5	WASHER	2x	1



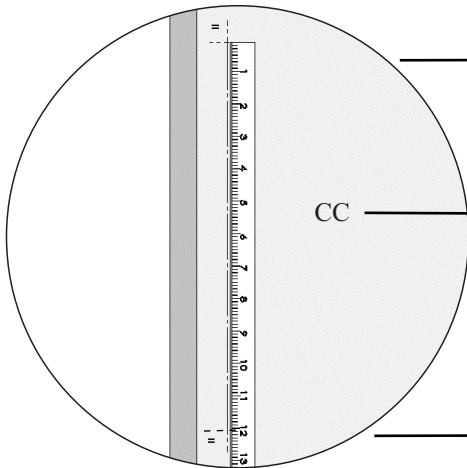
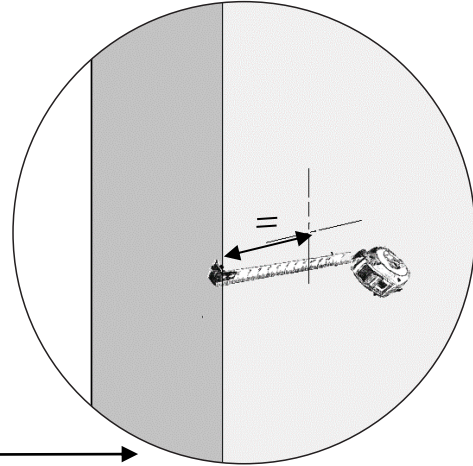
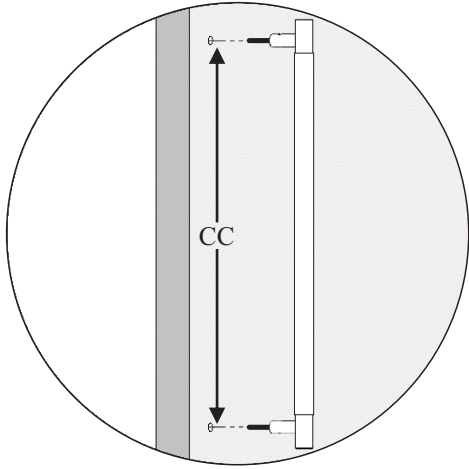
DDP.643.XX.XX.XXX.XXXX



Including only
Glass Door
use Sleeve

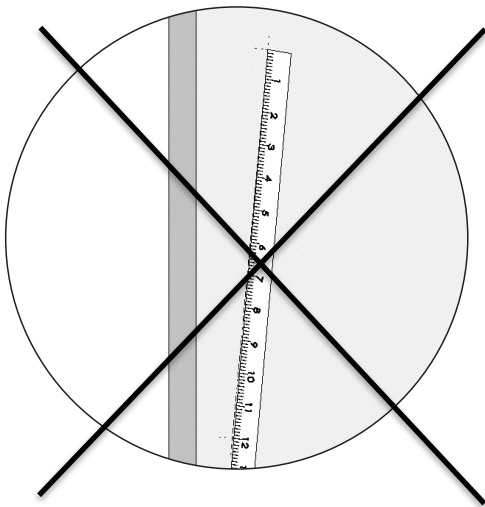
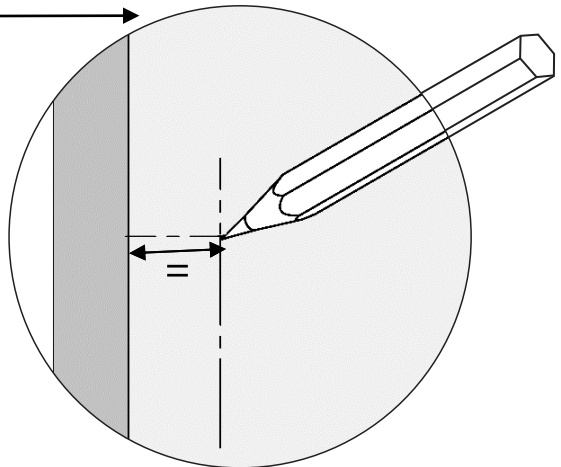


STEP-2

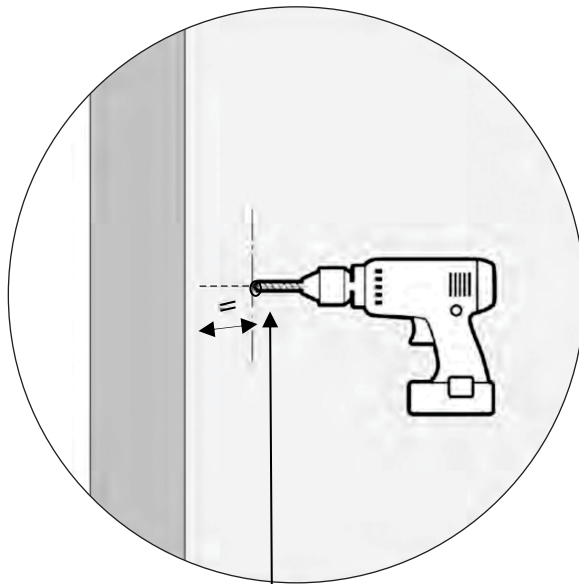
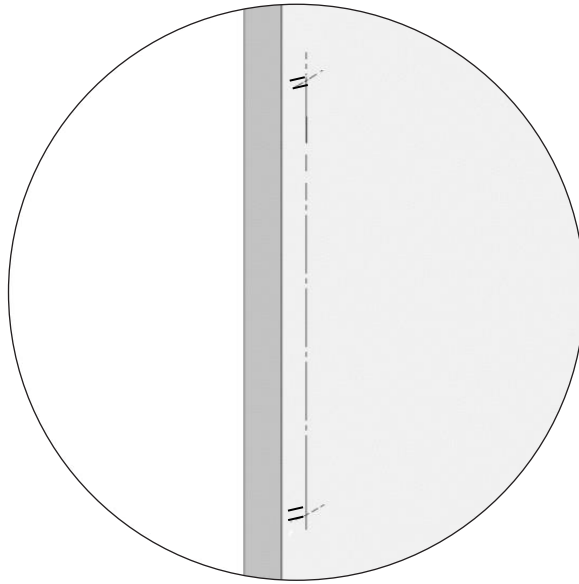


DDP.643.XX.XX.XXX.XXXX

Size:-CC
↓
12"
18"
24"
36"



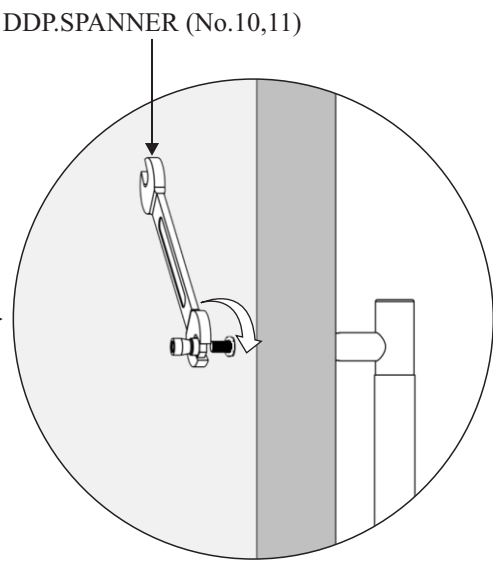
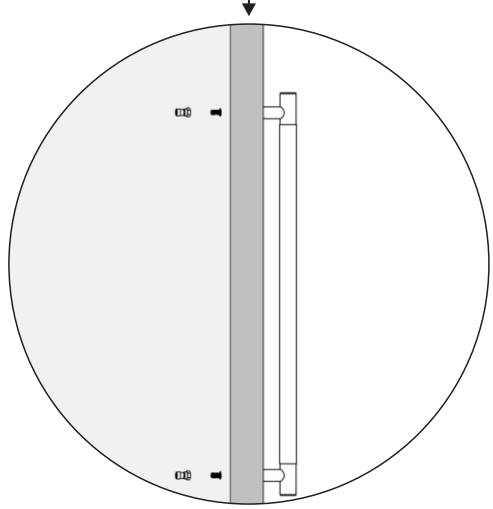
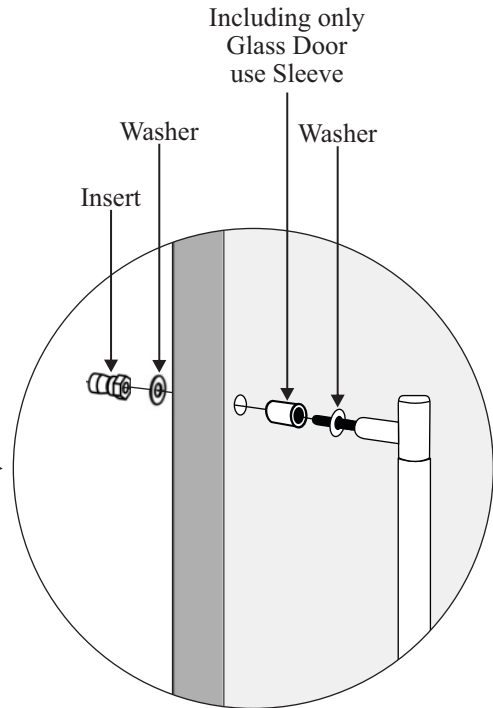
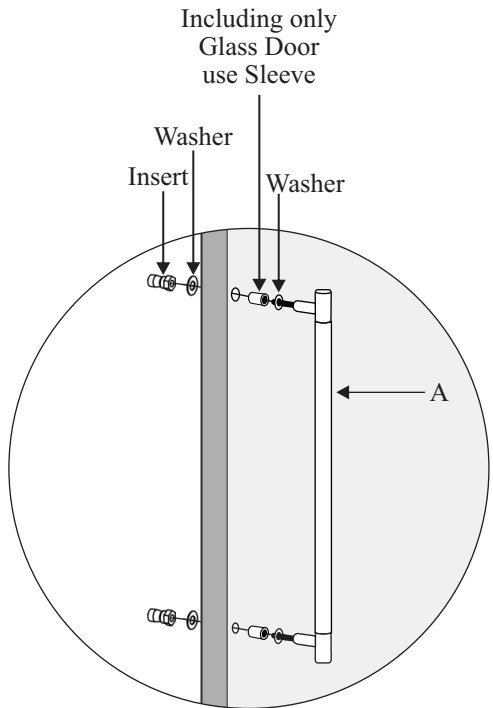
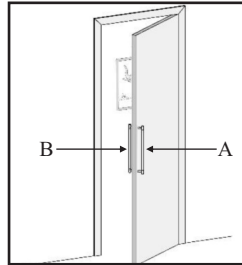
STEP-3



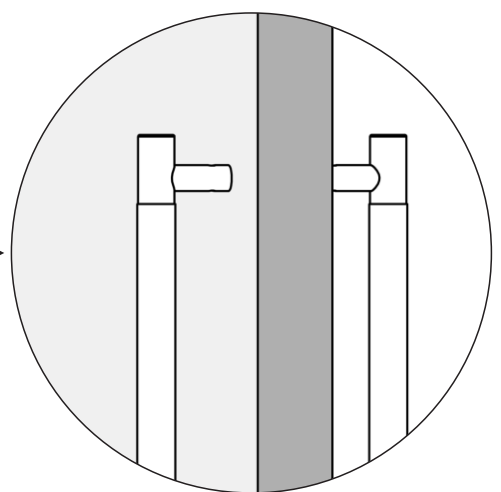
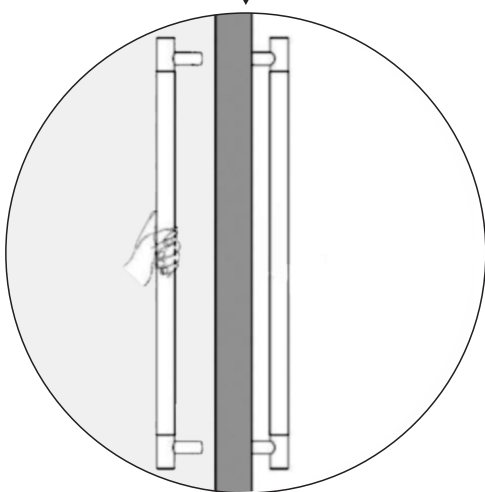
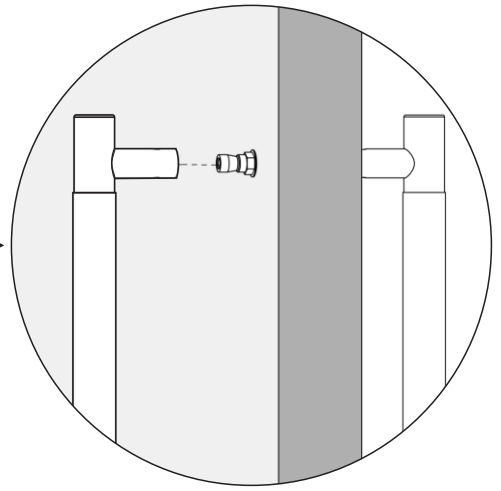
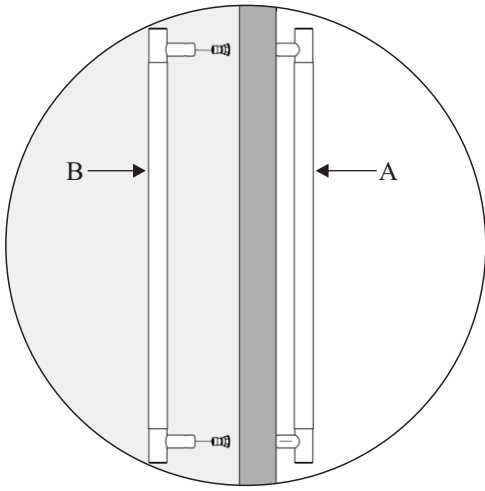
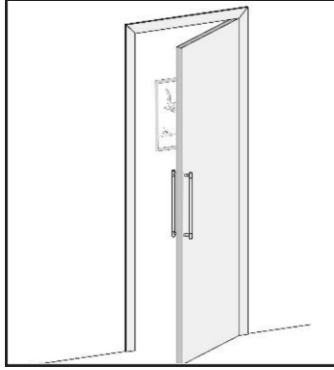
DRILL SIZE			
	Glass	Wood	Metal
DDP	3/8" (9.5mm)	1/4" (6.4mm)	1/4" (6.4mm)

STEP-4

Step Wise Packing List			
S.No.	Part Number	Qty	Steps
6	DDP.SPANNER (No.10,11)	1x	4



STEP-5



STEP-6

