



Split Black and Satin Brass (Finish ID:49)

## MONACO BACK TO BACK DOOR PULL

“The concentric rings are reminiscent of a stack of chips in the world-famous Place des Casino, synonymous with the history of Monaco.”

	Item Code	Size (mm & Inches)	Material	Size (Inches)				Fig.
				A	B	C	D	
1	DDP.613.12".XX.XXX.XXXX	304.8mm (12")	Brass	13.98	0.87	12	2.13	1
2	DDP.613.18".XX.XXX.XXXX	457.2mm (18")	Brass	20.16	0.87	18	2.13	1
3	DDP.613.24".XX.XXX.XXXX	609.6mm (24")	Brass	26.16	0.87	24	2.13	1
3	DDP.613.36".XX.XXX.XXXX	914.4mm (36")	Brass	38.17	0.87	36	2.13	1

“XX” in item code denotes Finish ID.  
“XXX” in item code denotes Door Thickness.  
“XXXX” in item code denotes Door Material.

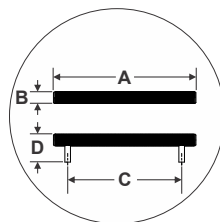
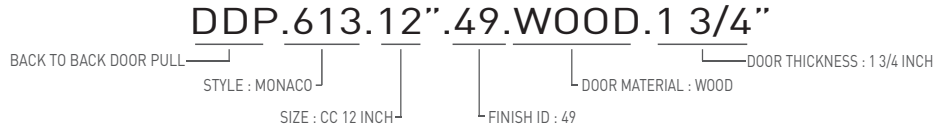


FIG. 1

This product is Supplied with Mounting Kit including with the Order.

## How to Order



## Monaco Back To Back Door Pull Finish Options

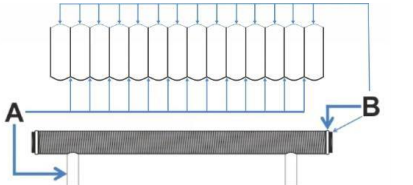
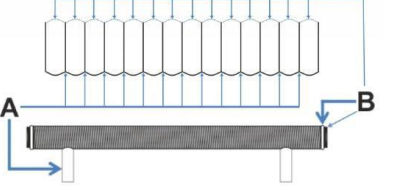
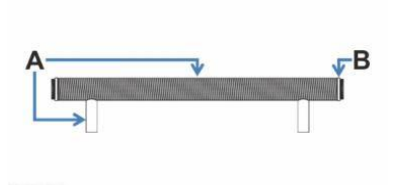
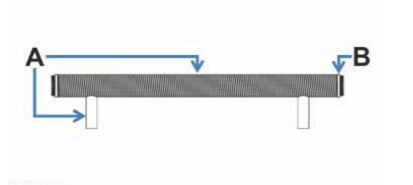
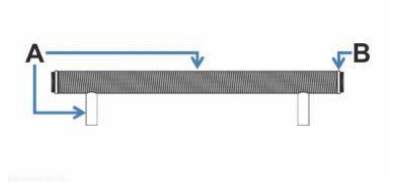
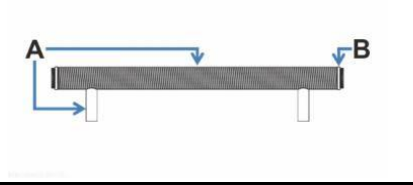
Base Material : Brass			Standard Finishes (2-3 Weeks Delivery)			
						
Aged Brass (Finish ID:4)	Unlacquered Polished Brass (Finish ID:7U)	Satin Brass (Finish ID:13)				
Base Material : Brass			Custom Finishes (3-4 Weeks Delivery)*			
						
Lacquered Polished Brass (Finish ID:7L)	Split Black and Satin Brass (Finish ID:49)	Split Satin Brass and White (Finish ID:50)	Graphite (Finish ID:61)	Split Brush Nickel and Satin Brass (Finish ID:78)	Titanium (Finish ID:79)	Split Graphite and Satin Brass (Finish ID:90)
						
Split Graphite and Brush Chrome (Finish ID:91)	Ombre (Finish ID:92)	Split Graphite and Aged Brass (Finish ID:93)	Brush Chrome (Finish ID:95)			

Door Material	Door Thickness
1. Wood	5/16", 3/8", 1/2", 3/4", 1", 1 1/4", 1 1/2", 1 3/4", 2", 2 1/4", 2 1/2"
2. Metal	5/16", 3/8", 1/2", 3/4", 1", 1 1/4", 1 1/2", 1 3/4", 2", 2 1/4", 2 1/2"
3. Glass	5/16", 3/8", 1/2", 3/4", 1"

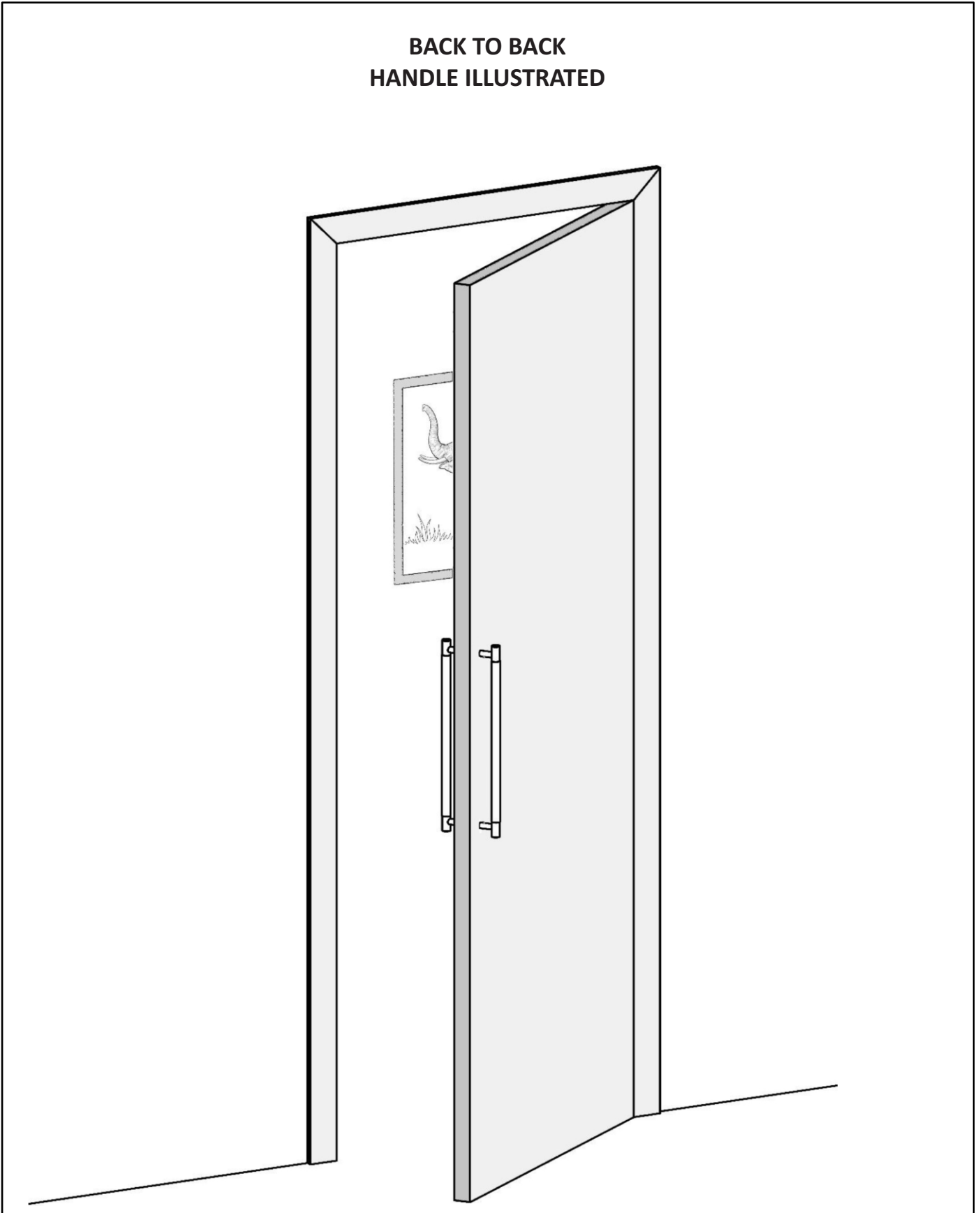
- Custom finishes cannot be returned or refunded. We are unable to accept cancellations for custom finish order unless within 48 hours of the order being placed.
- We have uniform pricing for all non-hammered finishes listed above as long as base material and size is same.
- Contact us for customized finishes, refer pages F1, F2, F3 & F4 for finish glossary.

**Monaco Mount Back To Back Door Pull Split Finish**

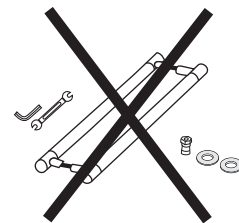
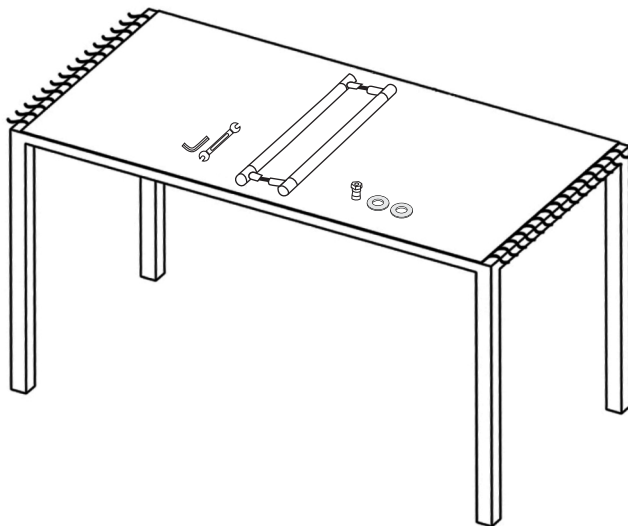
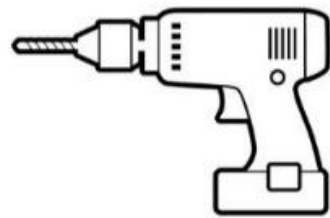
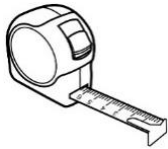
**DDP.613.XX.XX**

FINISH CODE (XX)	FINISH NAME	LINE DRAWING	A	B
DDP.613.XX.49	Split Black and Satin Brass		Matte Black	Satin Brass
DDP.613.XX.50	Split Satin Brass and White		White Epoxy	Satin Brass
DDP.613.XX.78	Split Brush Nickel and Satin Brass		Brush Nickel	Satin Brass
DDP.613.XX.90	Split Graphite and Satin Brass		Graphite	Satin Brass
DDP.613.XX.91	Split Graphite and Brush Chrome		Graphite	Brush Chrome
DDP.613.XX.93	Split Graphite and Aged Brass		Graphite	Aged Brass

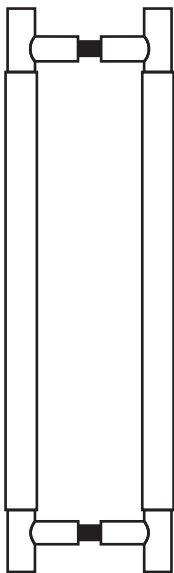
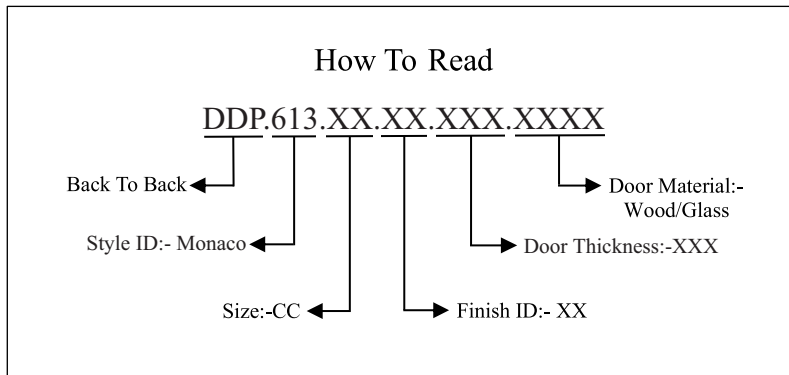
**BACK TO BACK  
HANDLE ILLUSTRATED**



Required Tools



Step Wise Packing List			
S.No.	Part Number	Qty	Steps
1	DDP.613.XX.XX.XXX.XXXX	1x	1
2	SLEEVE	1x	1
3	LNKY2.5	1x	1
4	INSERT	1x	1
5	WASHER	2x	1
6	DDP.SPANNER (No.10,11)	1x	4
7	Manual	1x	-



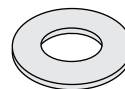
DDP.613.XX.XX.XXX.XXXX



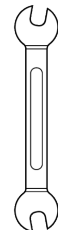
LNKY2.5



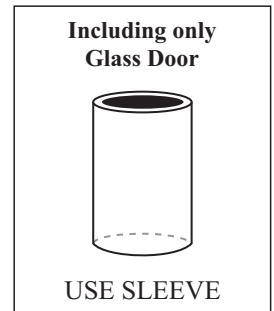
INSERT



WASHER

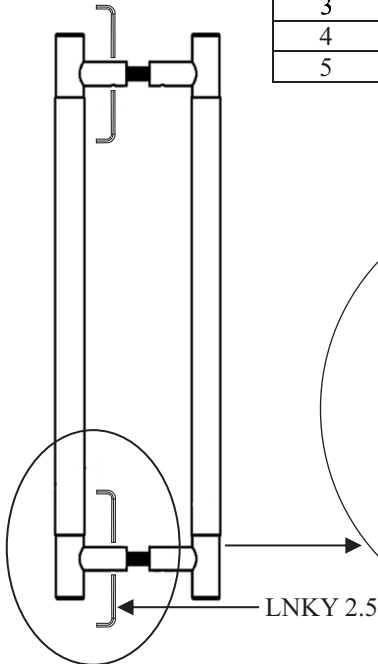


DDP.SPANNER (No.10,11)

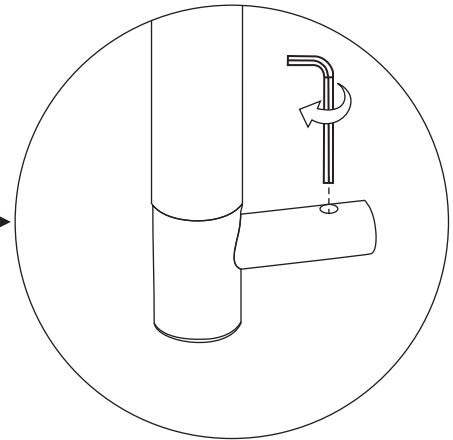
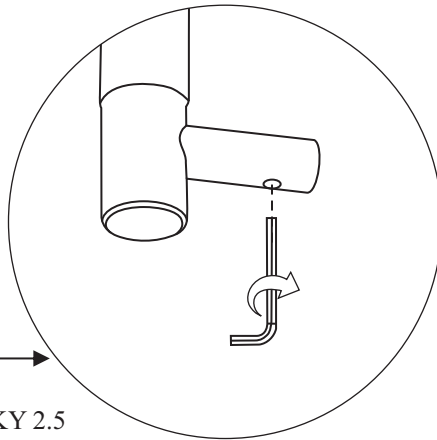


STEP-1

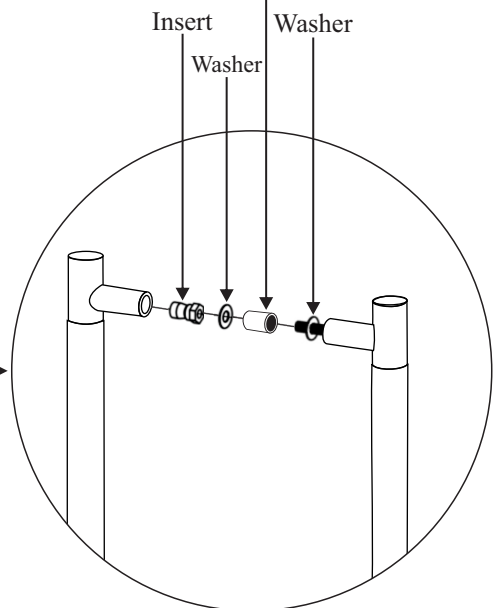
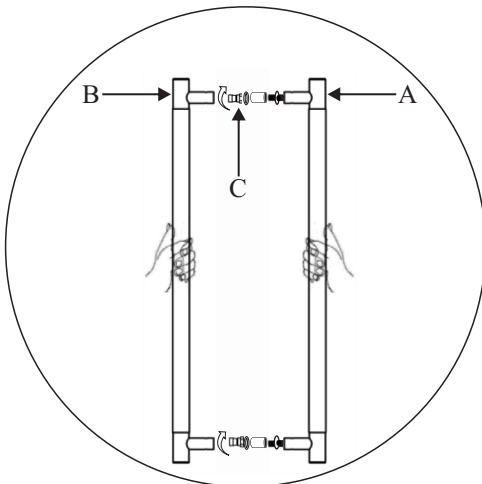
Step Wise Packing List			
S.No.	Part Number	Qty	Steps
1	DDP.613.XX.XX.XXX.XXXX	1x	1
2	SLEEVE	1x	1
3	LNKY2.5	1x	1
4	INSERT	1x	1
5	WASHER	2x	1



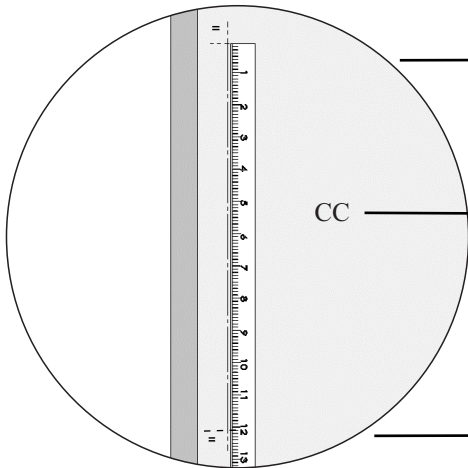
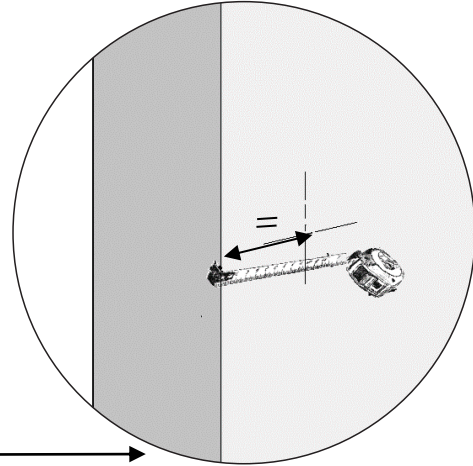
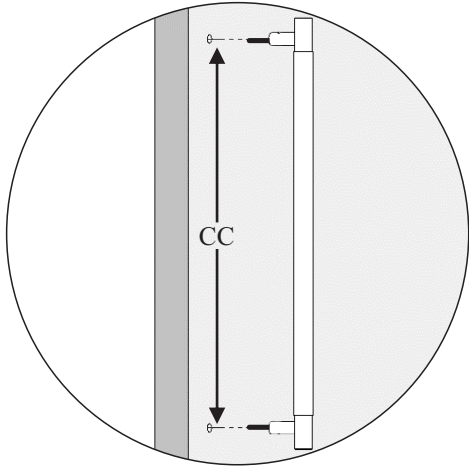
DDP.613.XX.XX.XXX.XXXX



Including only  
Glass Door  
use Sleeve

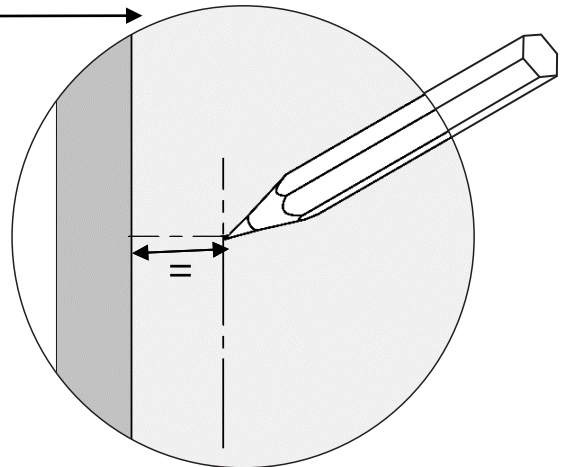
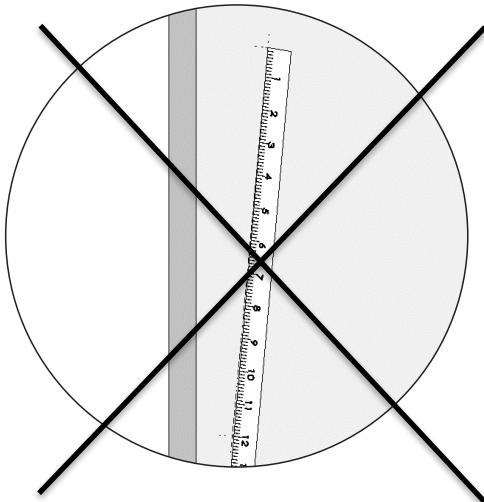


STEP-2



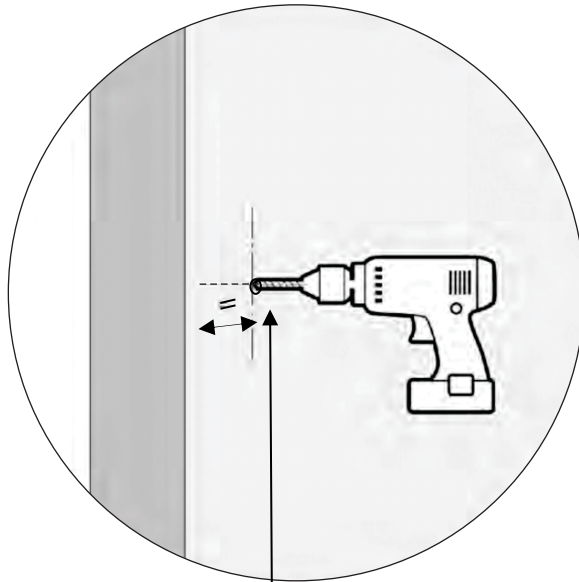
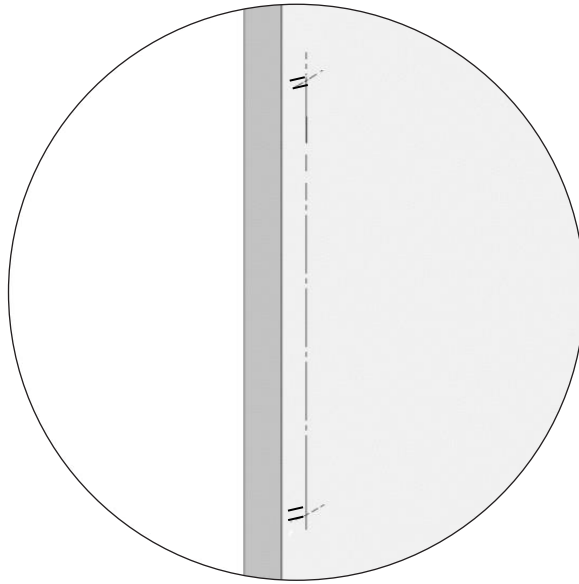
DDP.613.XX.XX.XXX.XXXX

Size:-CC  
↓  
12"  
18"  
24"  
36"





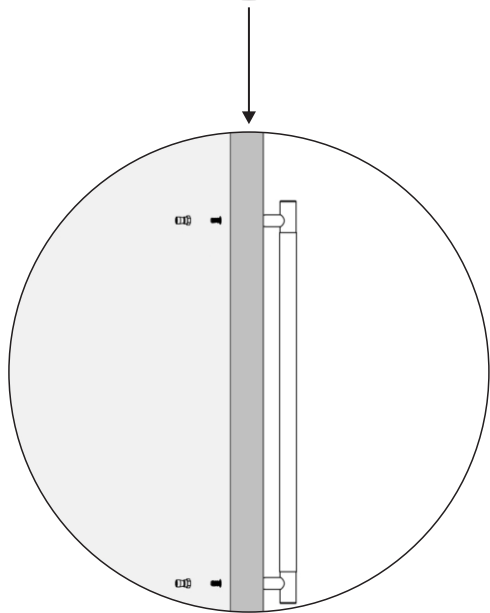
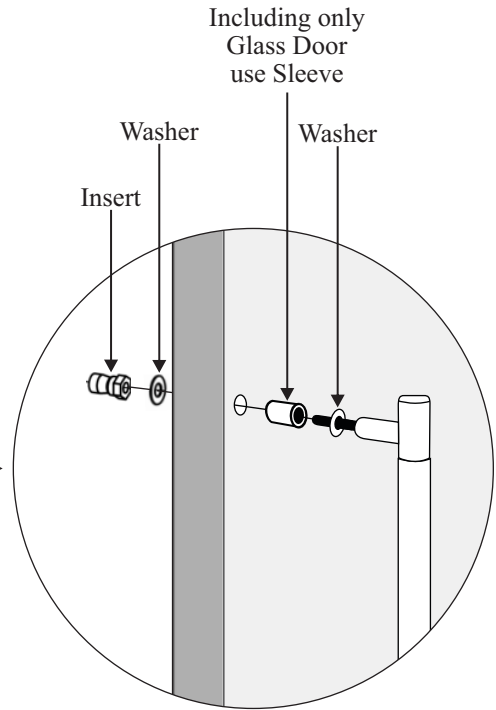
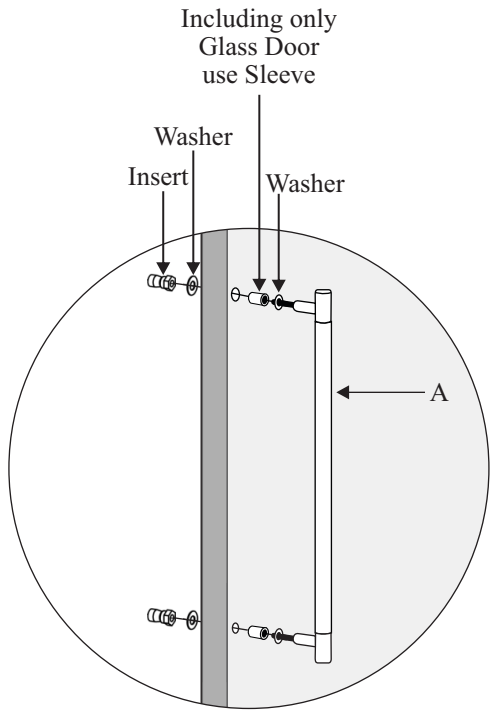
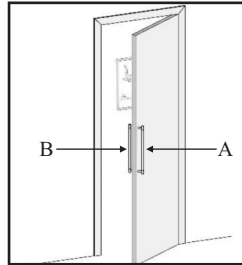
STEP-3



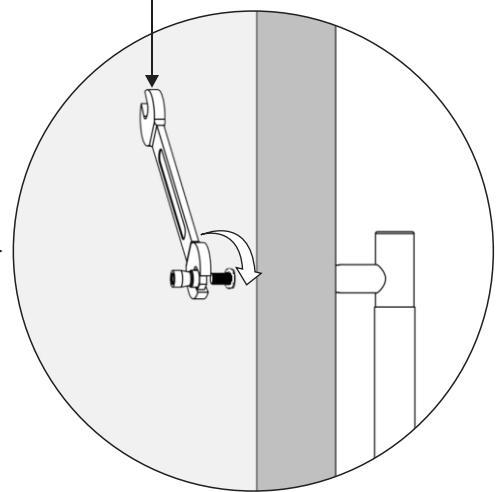
DRILL SIZE			
	Glass	Wood	Metal
DDP	3/8" (9.5mm)	1/4" (6.4mm)	1/4" (6.4mm)

STEP-4

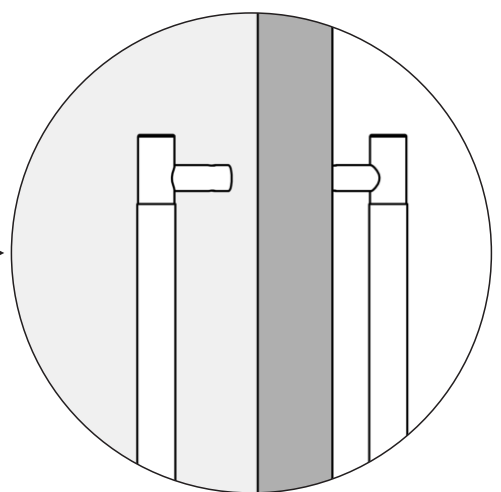
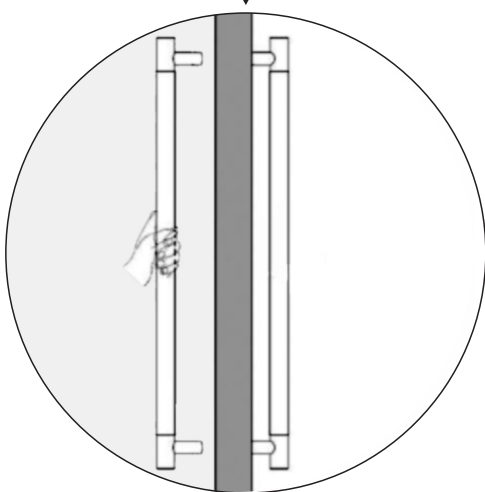
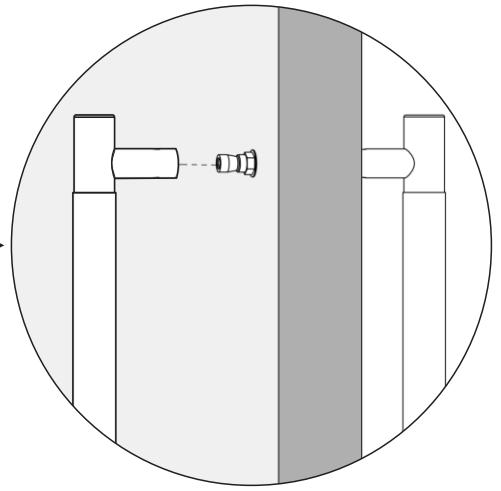
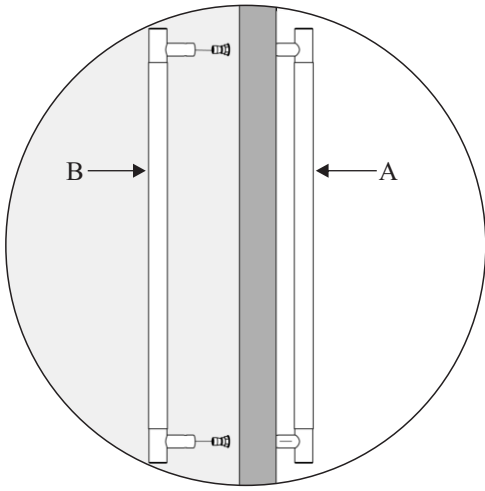
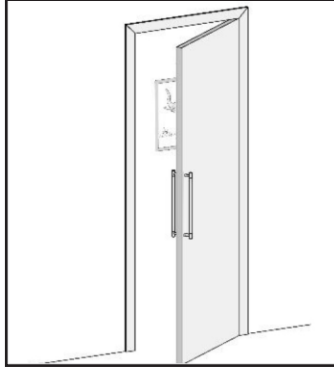
Step Wise Packing List			
S.No.	Part Number	Qty	Steps
6	DDP.SPANNER (No.10,11)	1x	4



DDP.SPANNER (No.10,11)



STEP-5



STEP-6

