



Satin Brass (Finish ID:13)

BELVEDERE BACK TO BACK DOOR PULL

Item Code	Size (mm & Inches)	Material	Size (Inches)				Fig.
			A	B	C	D	
1 DDP.1053.12".XX.XXX.XXXX	304.8mm (12")	Brass	13.65	1.06	12	2.28	1
2 DDP.1053.18".XX.XXX.XXXX	457.2mm (18")	Brass	19.65	1.06	18	2.28	1
3 DDP.1053.24".XX.XXX.XXXX	609.6mm (24")	Brass	25.65	1.06	24	2.28	1
4 DDP.1053.36".XX.XXX.XXXX	914.4mm (36")	Brass	37.67	1.06	36	2.28	1
5 DDP.1053.48".XX.XXX.XXXX	1219.2mm (48")	Brass	49.67	1.06	48	2.28	1
6 DDP.1053.12".XX.XXX.XXXX	304.8mm (12")	Wood over Brass	16.65	1.06	12	2.28	1
7 DDP.1053.18".XX.XXX.XXXX	457.2mm (18")	Wood over Brass	19.65	1.06	18	2.28	1

"XX" in item code denotes Finish ID.
 "XXX" in item code denotes Door Thickness.
 "XXXX" in item code denotes Door Material.

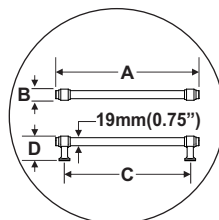


FIG. 1

This product is Supplied with Mounting Kit including with the Order.

How to Order

DDP.1053.8".13.WOOD.1 3/4"



Belvedere Back To Back Door Pull Finish Options









Base Material : Brass		Standard Finishes (2-3 Weeks Delivery)				
Base Material : Brass		Custom Finishes (3-4 Weeks Delivery)*				
Base Material : Brass/Wood		Custom Finishes (3-4 Weeks Delivery)*				

Door Material	Door Thickness
1. Wood	5/16", 3/8", 1/2", 3/4", 1", 1 1/4", 1 1/2", 1 3/4", 2", 2 1/4", 2 1/2"
2. Metal	5/16", 3/8", 1/2", 3/4", 1", 1 1/4", 1 1/2", 1 3/4", 2", 2 1/4", 2 1/2"
3. Glass	5/16", 3/8", 1/2", 3/4", 1"

- Custom finishes cannot be returned or refunded. We are unable to accept cancellations for custom finish order unless within 48 hours of the order being placed.
- We have uniform pricing for all non-hammered finishes listed above as long as base material and size is same.
- Contact us for customized finishes, refer pages F1, F2, F3 & F4 for finish glossary.







Belvedere Back To Back Door Pull Split Finish

DDP.1053.XX.XX

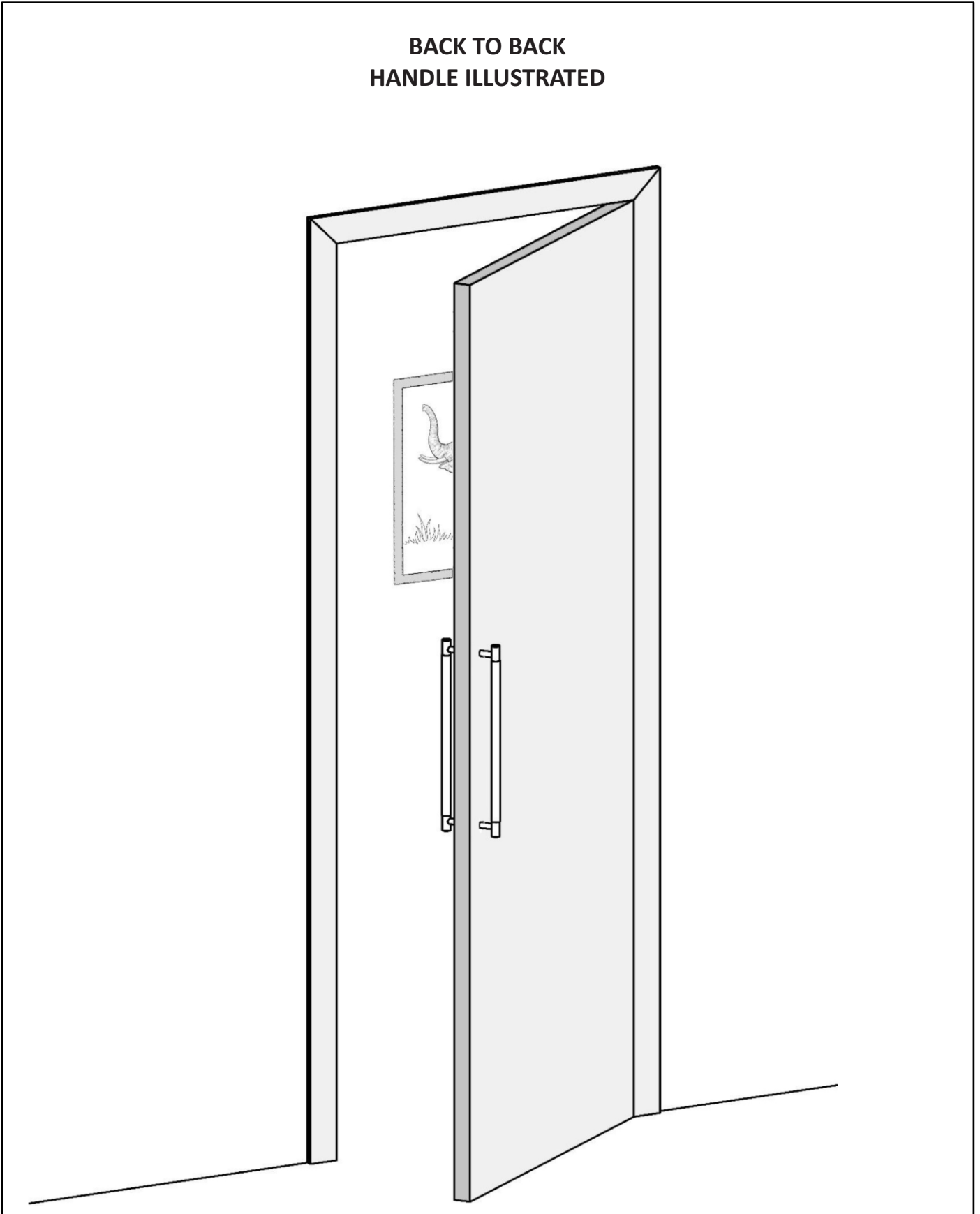
FINISH CODE (XX)	FINISH NAME	LINE DRAWING	A	B
DDP.1053.XX.48	Split Black and Polished Nickel		Matte Black	Polished Nickel
DDP.1053.XX.49	Split Black and Satin Brass		Matte Black	Satin Brass
DDP.1053.XX.90	Split Graphite and Satin Brass		Graphite	Satin Brass
DDP.1053.XX.93	Split Graphite and Aged Brass		Graphite	Aged Brass
DDP.1053.XX.100	Walnut Wood and Black		Walnut Wood	Matte Black
DDP.1053.XX.101	Walnut Wood and Satin Brass		Walnut Wood	Satin Brass
DDP.1053.XX.102	Walnut Wood and Aged Brass		Walnut Wood	Aged Brass
DDP.1053.XX.103	Walnut Wood and Polished Nickel		Walnut Wood	Polished Nickel

Belvedere Back To Back Door Pull Split Finish

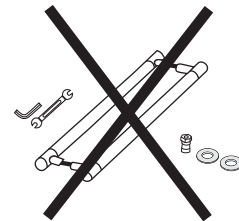
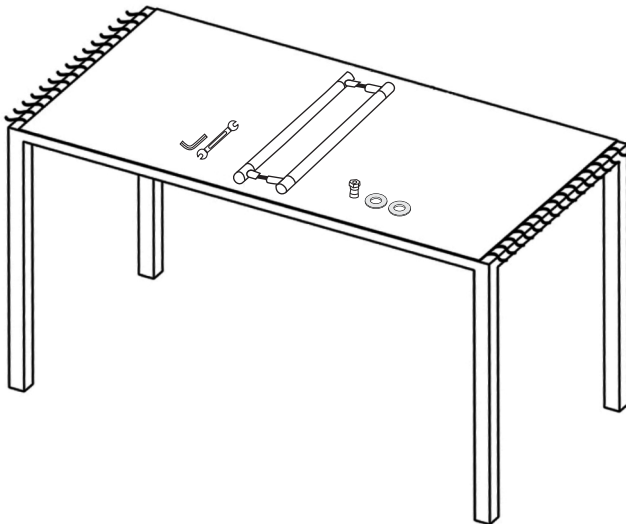
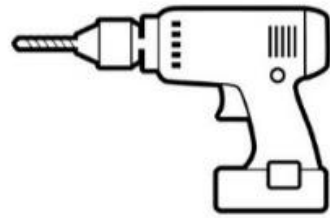
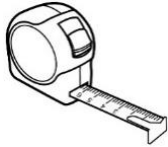
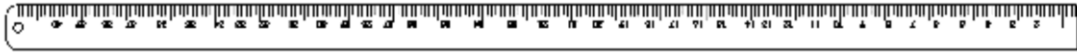
DDP.1053.XX.XX

FINISH CODE (XX)	FINISH NAME	LINE DRAWING	A	B
DDP.1053.XX.104	Walnut Wood and Brushed Nickel		Walnut Wood	Brushed Nickel
DDP.1053.XX.106	Beech Wood and Black		Beech Wood	Matte Black
DDP.1053.XX.107	Beech Wood and Satin Brass		Beech Wood	Satin Brass
DDP.1053.XX.108	Beech Wood and Aged Brass		Beech Wood	Aged Brass
DDP.1053.XX.109	Beech Wood and Polished Nickel		Beech Wood	Polished Nickel
DDP.1053.XX.110	Beech Wood and Brushed Nickel		Beech Wood	Brushed Nickel

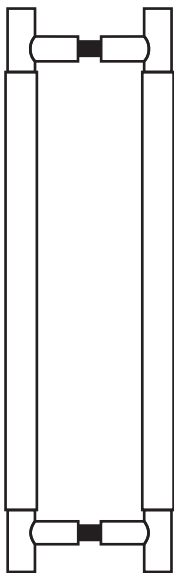
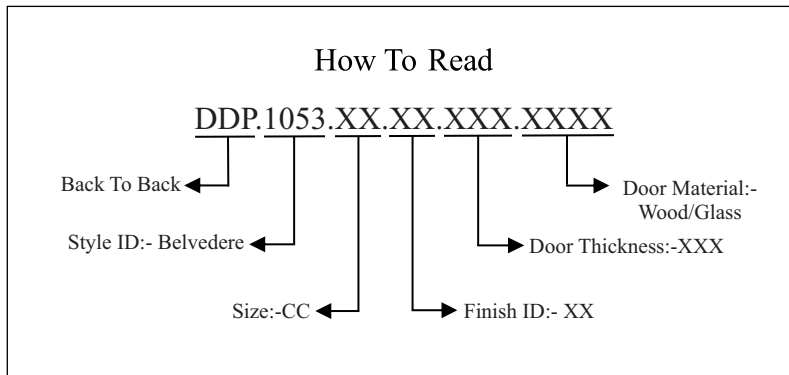
**BACK TO BACK
HANDLE ILLUSTRATED**



Required Tools



Step Wise Packing List			
S.No.	Part Number	Qty	Steps
1	DDP.1053.XX.XX.XXX.XXXX	1x	1
2	SLEEVE	1x	1
3	LNKY2.5	1x	1
4	INSERT	1x	1
5	WASHER	2x	1
6	DDP.SPANNER (No.10,11)	1x	4
7	Manual	1x	-



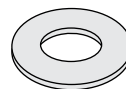
DDP.1053.XX.XX.XXX.XXXX



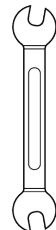
LNKY2.5



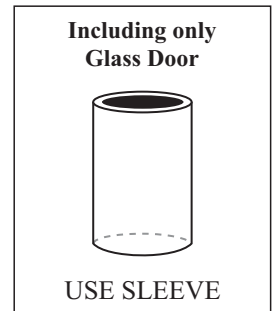
INSERT



WASHER

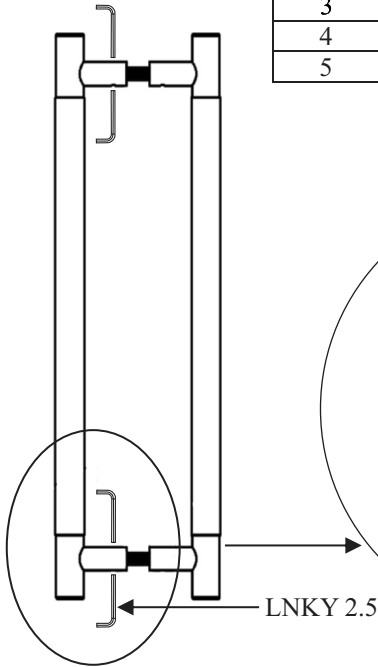


DDP.SPANNER (No.10,11)

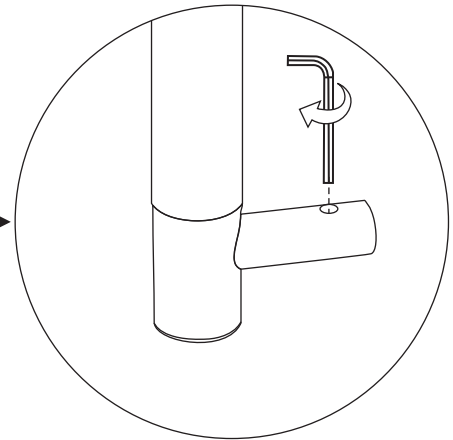
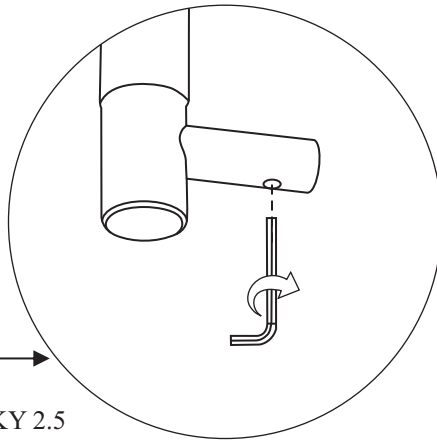


STEP-1

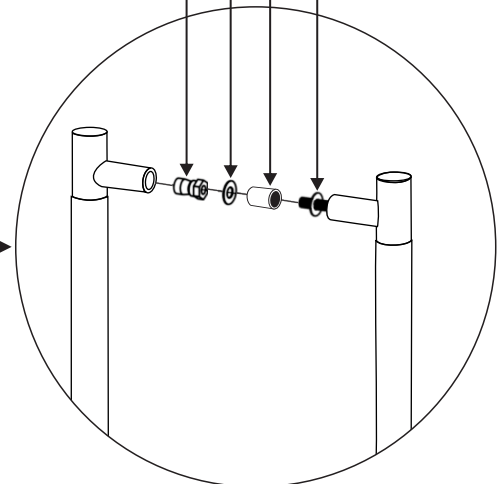
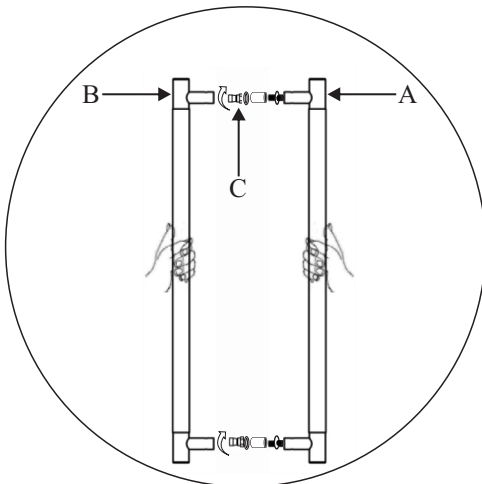
Step Wise Packing List			
S.No.	Part Number	Qty	Steps
1	DDP.1053.XX.XX.XXX.XXXX	1x	1
2	SLEEVE	1x	1
3	LNKY2.5	1x	1
4	INSERT	1x	1
5	WASHER	2x	1



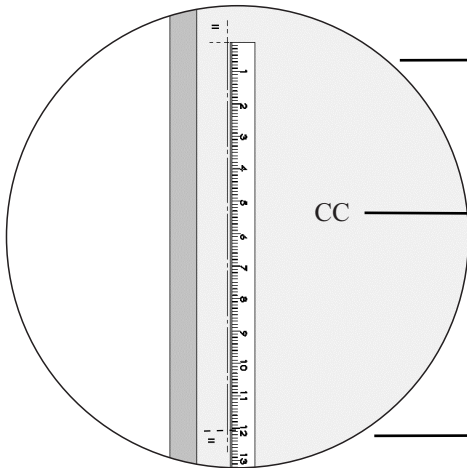
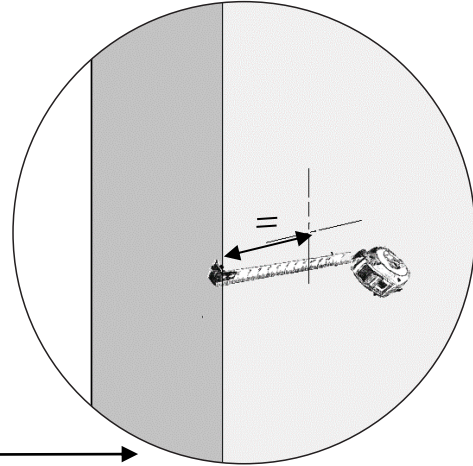
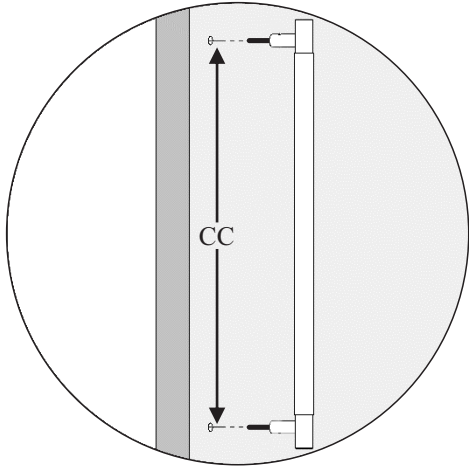
DDP.1053.XX.XX.XXX.XXXX



Including only
Glass Door
use Sleeve



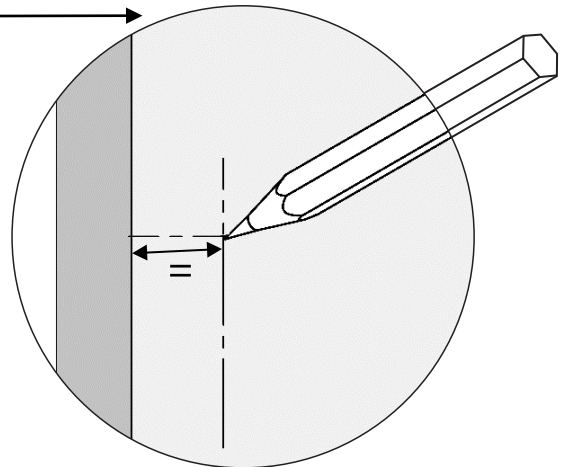
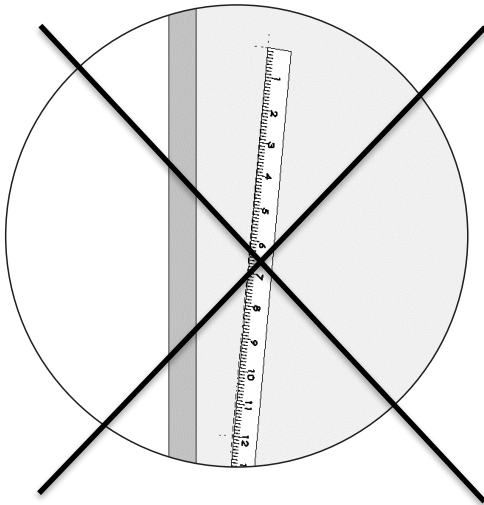
STEP-2



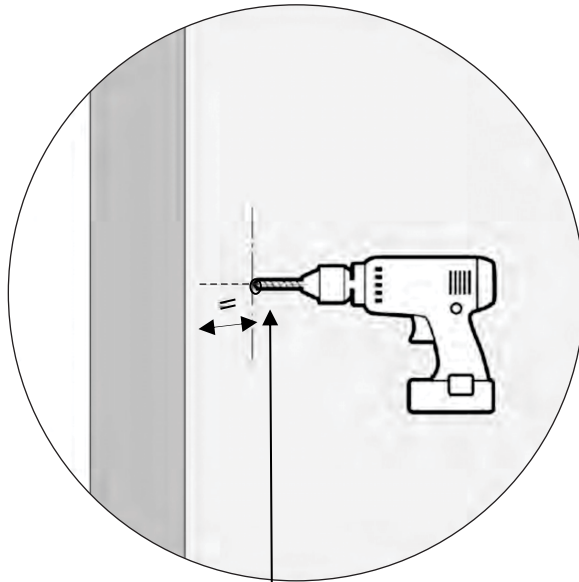
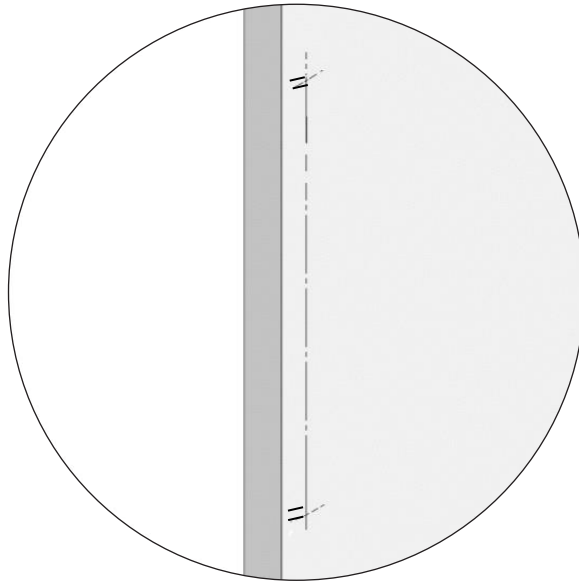
DDP.1053.XX.XX.XXX.XXXX

Size:-CC

- 12"
- 18"
- 24"
- 36"
- 48"



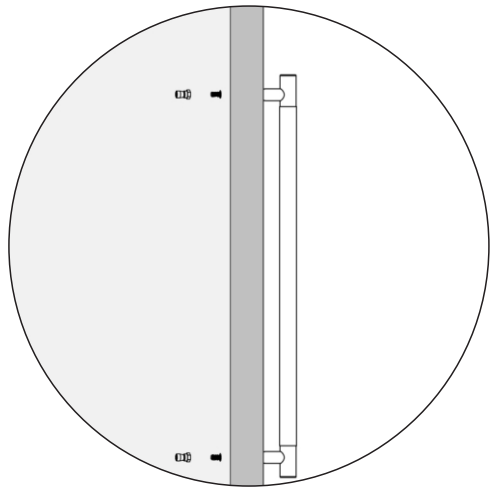
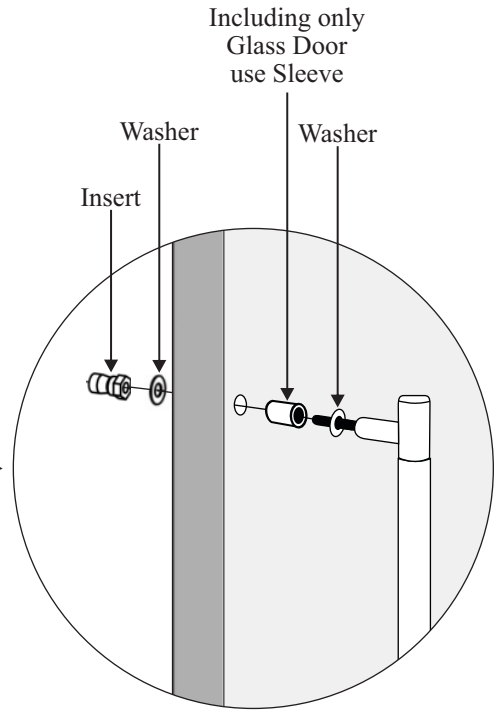
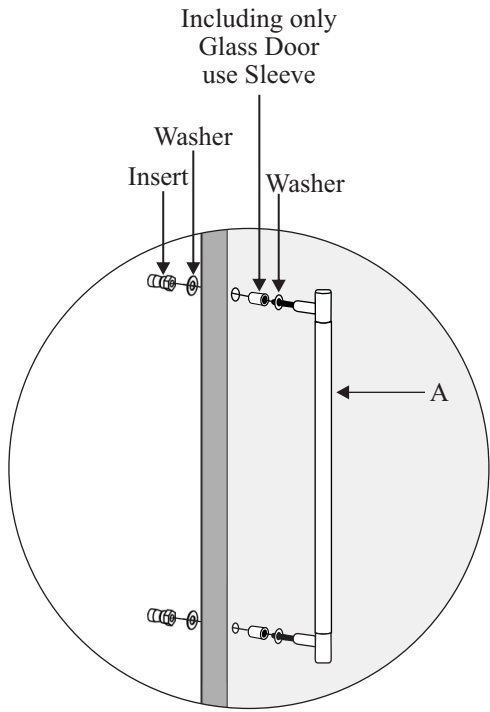
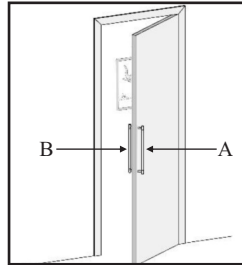
STEP-3



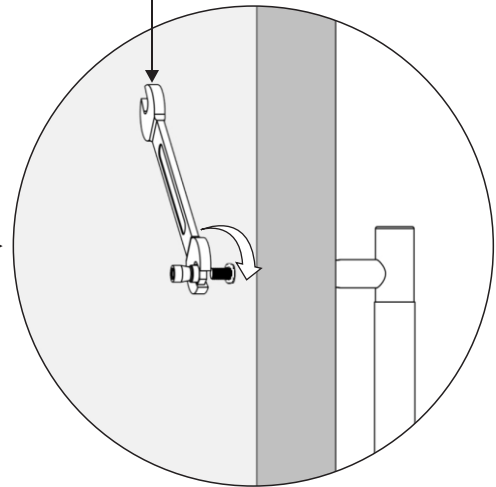
DRILL SIZE			
	Glass	Wood	Metal
DDP	3/8" (9.5mm)	1/4" (6.4mm)	1/4" (6.4mm)

STEP-4

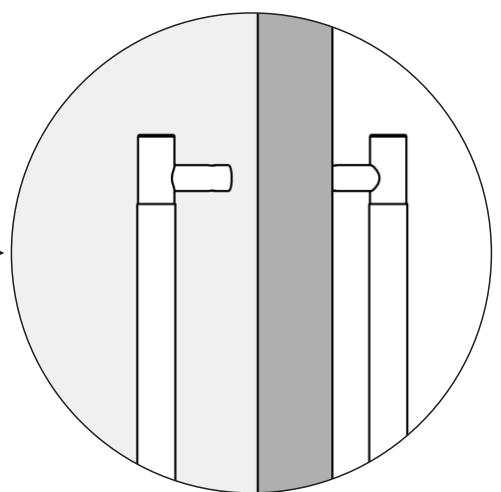
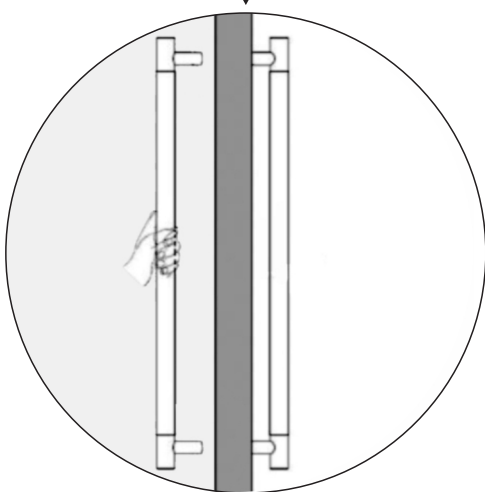
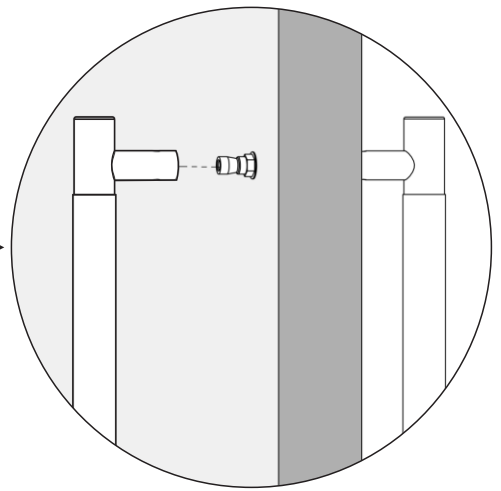
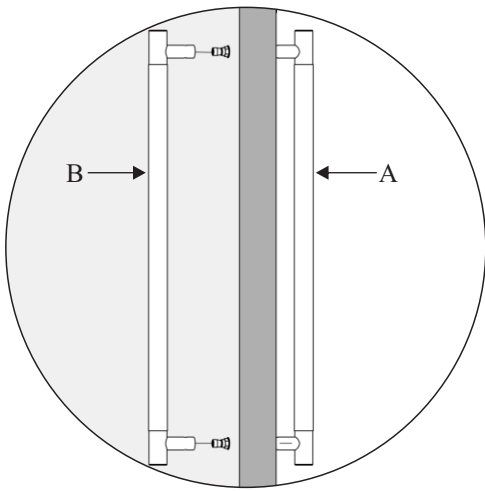
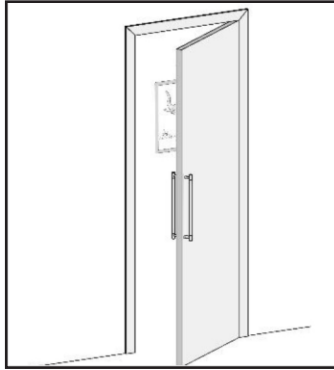
Step Wise Packing List			
S.No.	Part Number	Qty	Steps
6	DDP.SPANNER (No.10,11)	1x	4



DDP.SPANNER (No.10,11)



STEP-5



STEP-6

