



Satin Brass (Finish ID:13)

## MUSE BACK TO BACK SINGLE SIDED DOOR PULL

	Item Code	Size (mm & Inches)	Material	Size (Inches)				Fig.
				A	B	C	D	
1	DDP.1041.8".XX.XXX.XXXX	203.2mm (8")	Brass	8	4	7	1.15	1
2	DDP.1041.12".XX.XXX.XXXX	304.8mm (12")	Brass	12	6	11	1.38	1
3	DDP.1041.18".XX.XXX.XXXX	457.2mm (18")	Brass	18	9	17	1.50	1

"XX" in item code denotes Finish ID.  
 "XXX" in item code denotes Door Thickness.  
 "XXXX" in item code denotes Door Material.

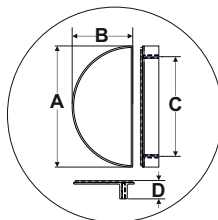


FIG. 1


This product is Supplied with Mounting Kit including with the Order.

## How to Order

**DDP.1041.8".13.WOOD.1 3/4"**

BACK TO BACK DOOR PULL
STYLE : MUSE SINGLE SIDED
SIZE : OAL 8 INCH
FINISH ID : 13
DOOR MATERIAL : WOOD
DOOR THICKNESS : 1 3/4 INCH

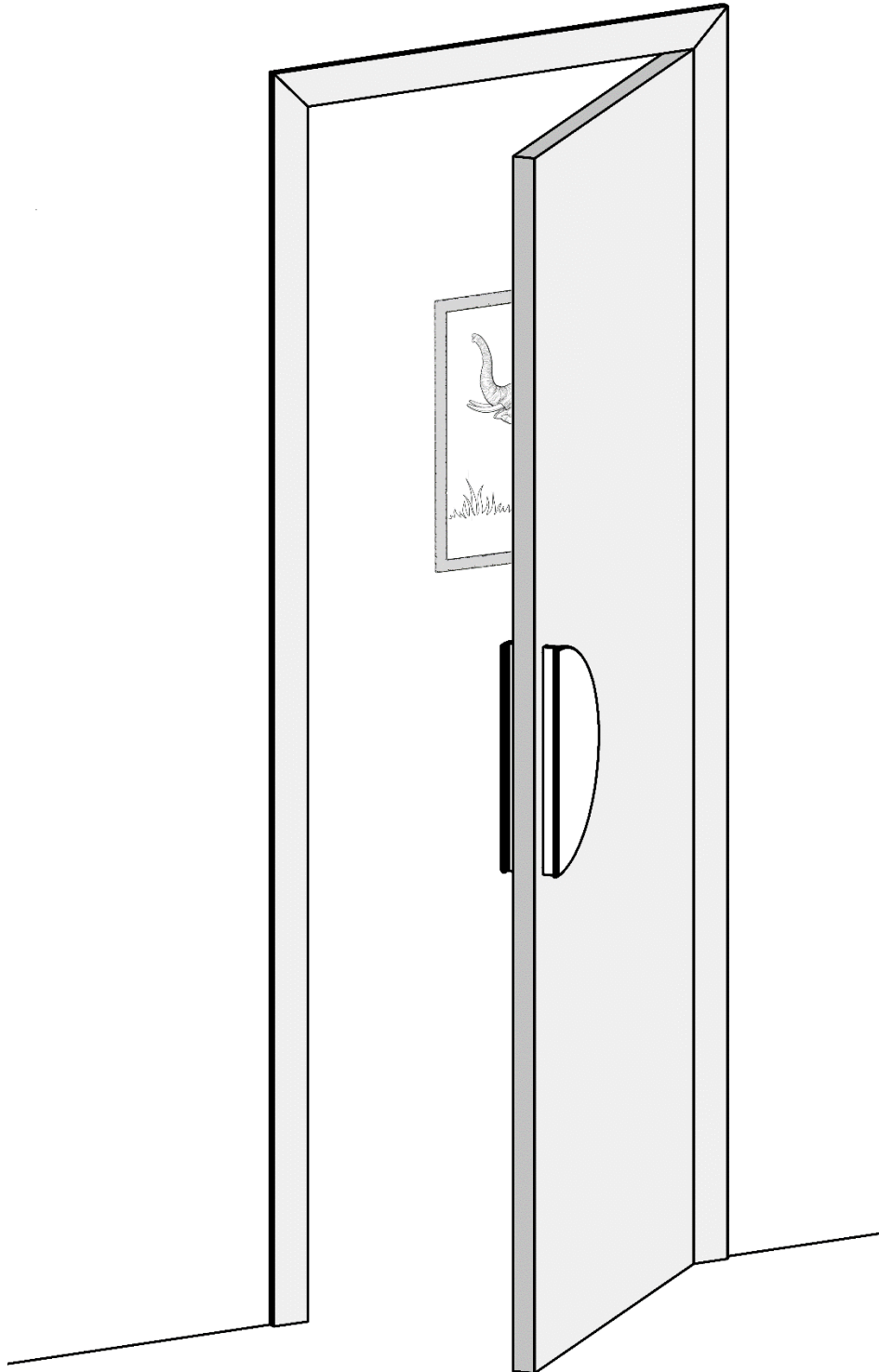
### Muse Back To Back Single Sided Door Pull Finish Options

Base Material : Brass	Standard Finishes (2-3 Weeks Delivery)														
															
<table style="width: 100%; border: none;"> <tr> <td style="text-align: center; width: 20%;">Brush Nickel (Finish ID:3)</td> <td style="text-align: center; width: 20%;">Aged Brass (Finish ID:4)</td> <td style="text-align: center; width: 20%;">Oil Rubbed Bronze (Finish ID:5)</td> <td style="text-align: center; width: 20%;">Polished Nickel (Finish ID:8)</td> <td style="text-align: center; width: 20%;">Satin Brass (Finish ID:13)</td> </tr> </table>		Brush Nickel (Finish ID:3)	Aged Brass (Finish ID:4)	Oil Rubbed Bronze (Finish ID:5)	Polished Nickel (Finish ID:8)	Satin Brass (Finish ID:13)									
Brush Nickel (Finish ID:3)	Aged Brass (Finish ID:4)	Oil Rubbed Bronze (Finish ID:5)	Polished Nickel (Finish ID:8)	Satin Brass (Finish ID:13)											
Base Material : Brass	Custom Finishes (3-4 Weeks Delivery)*														
															
<table style="width: 100%; border: none;"> <tr> <td style="text-align: center; width: 14%;">Matte Black (Finish ID:19)</td> <td style="text-align: center; width: 14%;">Rose Gold (Finish ID:33)</td> <td style="text-align: center; width: 14%;">Graphite (Finish ID:61)</td> <td style="text-align: center; width: 14%;">Titanium (Finish ID:79)</td> <td style="text-align: center; width: 14%;">Ombre (Finish ID:92)</td> <td style="text-align: center; width: 14%;">Brush Chrome (Finish ID:95)</td> <td style="text-align: center; width: 14%;">Leopard Hammered over Brush Nickel (Finish ID:99-3)</td> </tr> <tr> <td style="text-align: center;">Leopard Hammered over Aged Brass (Finish ID:99-4)</td> <td style="text-align: center;">Leopard Hammered over Oil Rubbed Bronze (Finish ID:99-5)</td> <td style="text-align: center;">Leopard Hammered over Polished Nickel (Finish ID:99-8)</td> <td style="text-align: center;">Leopard Hammered over Satin Brass (Finish ID:99-13)</td> <td style="text-align: center;">Leopard Hammered over Rose Gold (Finish ID:99-33)</td> <td colspan="2"></td> </tr> </table>		Matte Black (Finish ID:19)	Rose Gold (Finish ID:33)	Graphite (Finish ID:61)	Titanium (Finish ID:79)	Ombre (Finish ID:92)	Brush Chrome (Finish ID:95)	Leopard Hammered over Brush Nickel (Finish ID:99-3)	Leopard Hammered over Aged Brass (Finish ID:99-4)	Leopard Hammered over Oil Rubbed Bronze (Finish ID:99-5)	Leopard Hammered over Polished Nickel (Finish ID:99-8)	Leopard Hammered over Satin Brass (Finish ID:99-13)	Leopard Hammered over Rose Gold (Finish ID:99-33)		
Matte Black (Finish ID:19)	Rose Gold (Finish ID:33)	Graphite (Finish ID:61)	Titanium (Finish ID:79)	Ombre (Finish ID:92)	Brush Chrome (Finish ID:95)	Leopard Hammered over Brush Nickel (Finish ID:99-3)									
Leopard Hammered over Aged Brass (Finish ID:99-4)	Leopard Hammered over Oil Rubbed Bronze (Finish ID:99-5)	Leopard Hammered over Polished Nickel (Finish ID:99-8)	Leopard Hammered over Satin Brass (Finish ID:99-13)	Leopard Hammered over Rose Gold (Finish ID:99-33)											
Base Material : Bronze	Custom Finishes (3-4 Weeks Delivery)*														
															
<table style="width: 100%; border: none;"> <tr> <td style="text-align: center; width: 33%;">Silicon Bronze Light (Finish ID:53)</td> <td style="text-align: center; width: 33%;">Silicon Bronze Dark (Finish ID:53D)</td> <td style="text-align: center; width: 33%;">White Bronze (Finish ID:54)</td> </tr> </table>		Silicon Bronze Light (Finish ID:53)	Silicon Bronze Dark (Finish ID:53D)	White Bronze (Finish ID:54)											
Silicon Bronze Light (Finish ID:53)	Silicon Bronze Dark (Finish ID:53D)	White Bronze (Finish ID:54)													

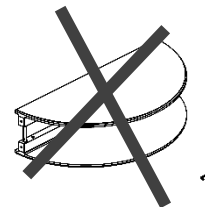
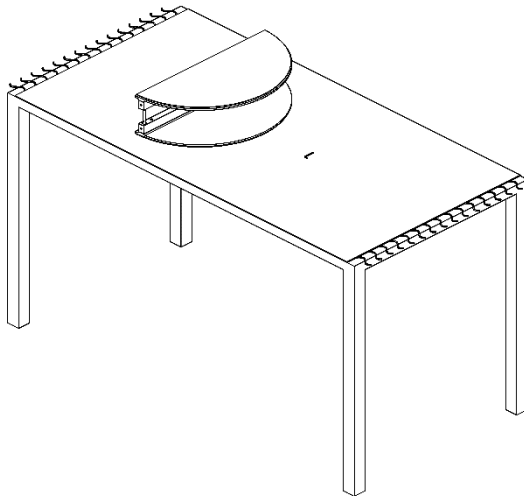
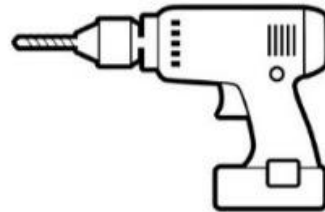
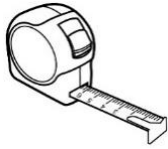
Door Material	Door Thickness
1. Wood	5/16", 3/8", 1/2", 3/4", 1", 1 1/4", 1 1/2", 1 3/4", 2", 2 1/4", 2 1/2"
2. Metal	5/16", 3/8", 1/2", 3/4", 1", 1 1/4", 1 1/2", 1 3/4", 2", 2 1/4", 2 1/2"
3. Glass	5/16", 3/8", 1/2", 3/4", 1"

- Custom finishes cannot be returned or refunded. We are unable to accept cancellations for custom finish order unless within 48 hours of the order being placed.
- We have uniform pricing for all non-hammered finishes listed above as long as base material and size is same.
- Contact us for customized finishes, refer pages F1, F2, F3 & F4 for finish glossary.

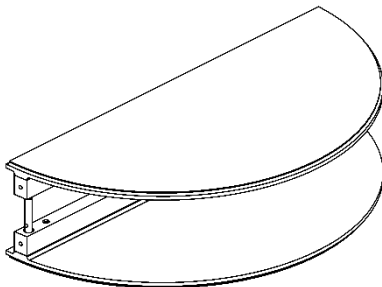
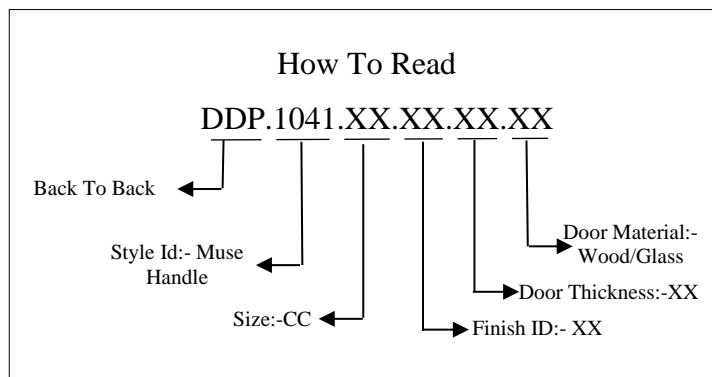
**BACK TO BACK  
SINGLE SIDE HANDLE ILLUSTRATED**



Required Tools



Step Wise Packing List			
S.No.	Part Number	Qty.	Steps
1	DDP.1041.XX.XX.XX.XX	1x	1
2	LNKY2.5	1x	1
3	Manual	1x	-



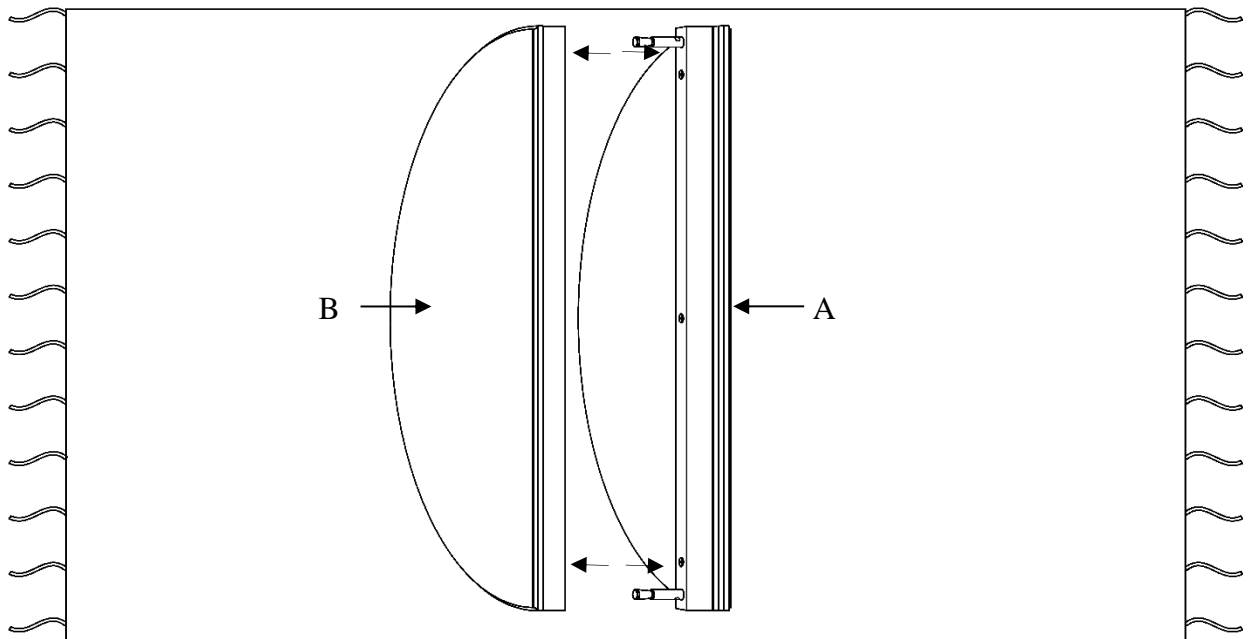
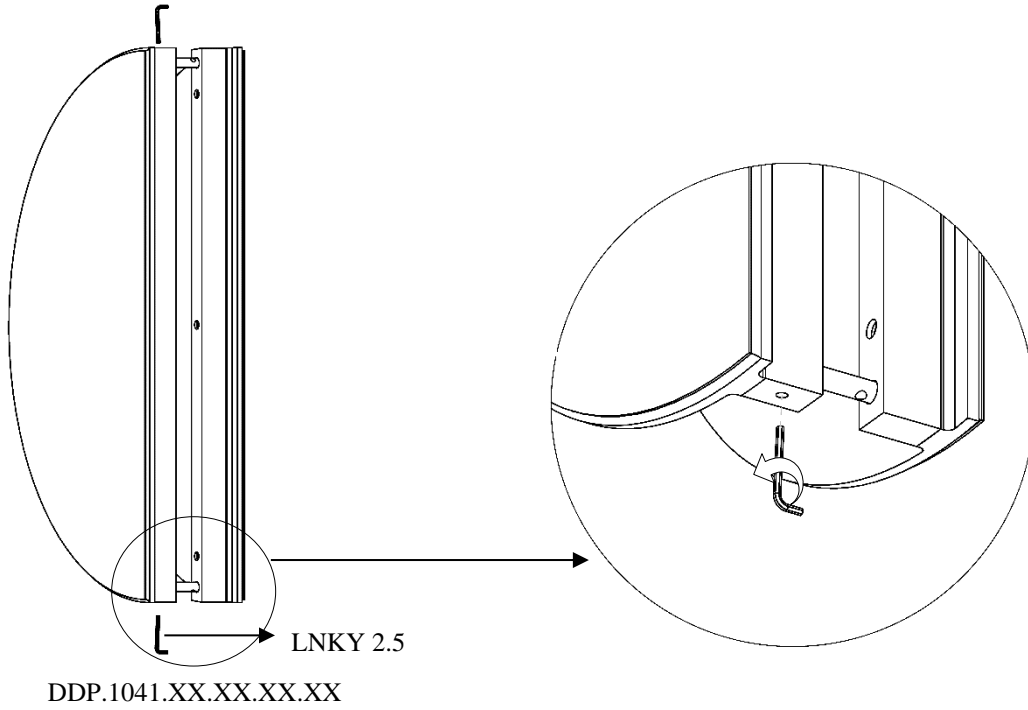
DDP.1041.XX.XX.XX.XX



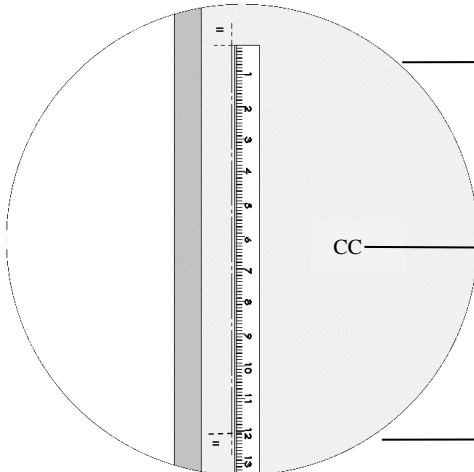
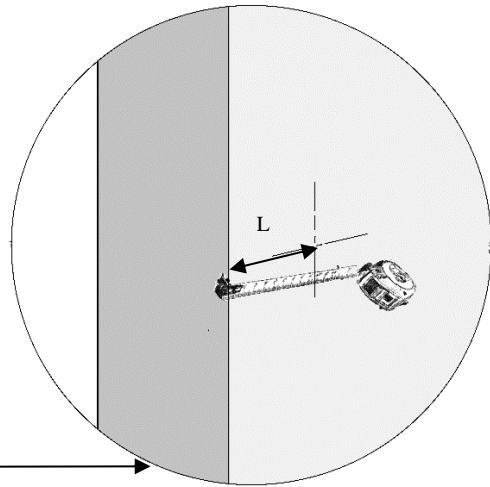
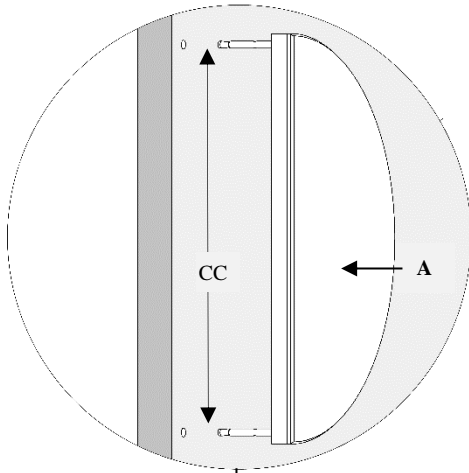
LNKY 2.5

STEP-1

Step Wise Packing List			
S No	Part Number	Qty	Steps
1	DDP.1041.XX.XX.XX.XX	1x	1
2	LNKY2.5	1x	1

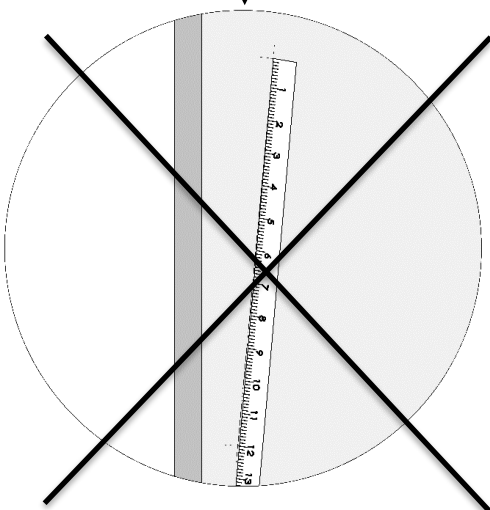


STEP-2

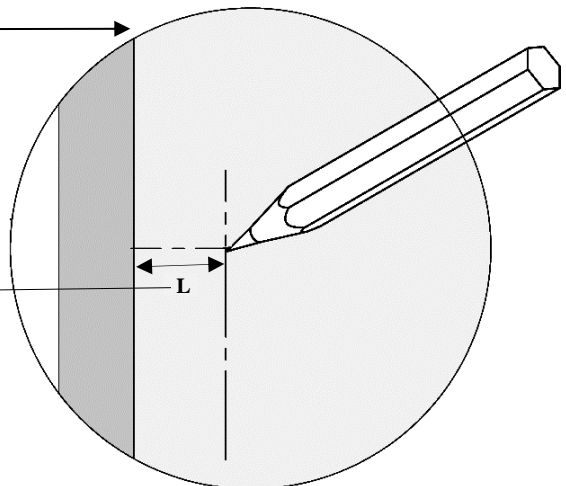


DDP.1041.XX.XX.XX.XX.XX

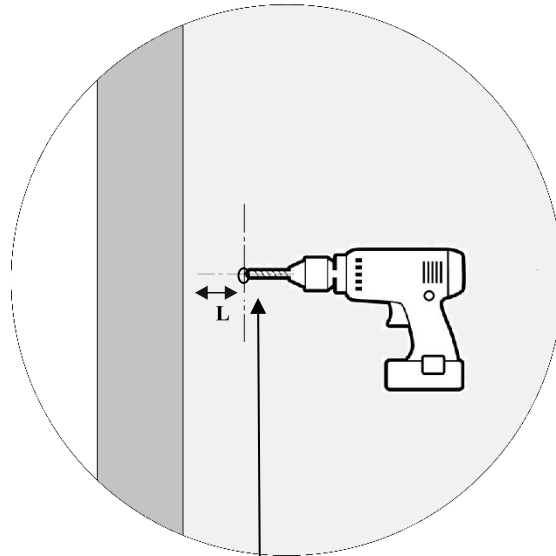
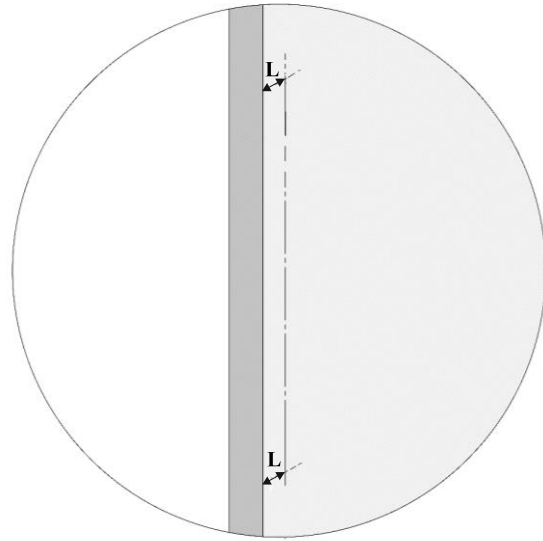
Size:-CC  
12"  
18"



12"cc = 20mm  
18"cc = 22mm



STEP-2

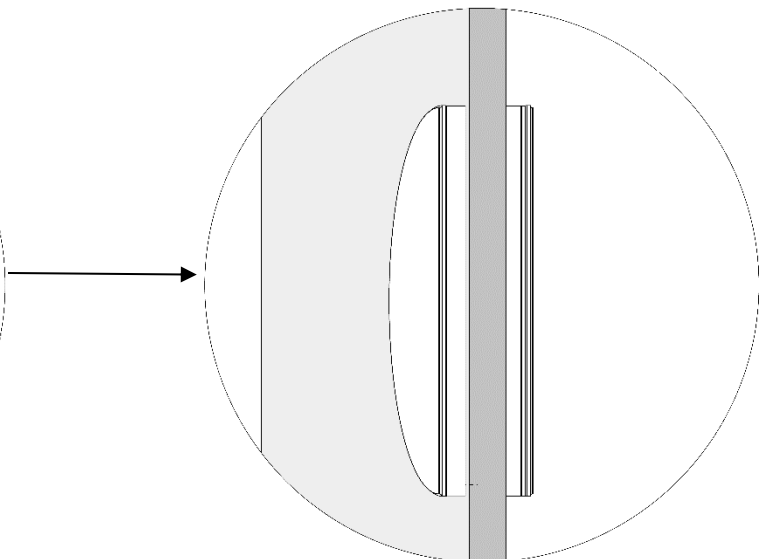
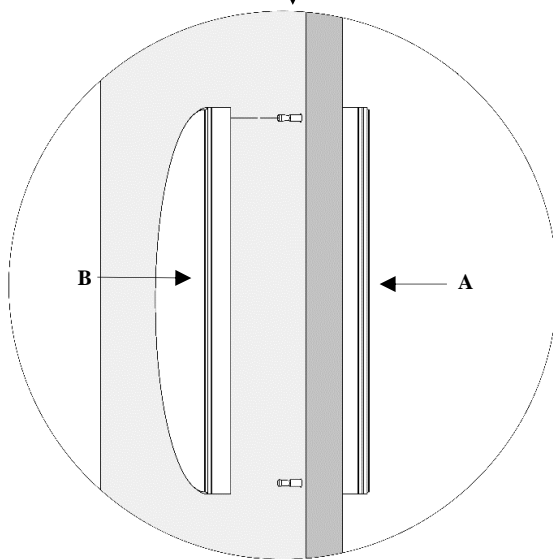
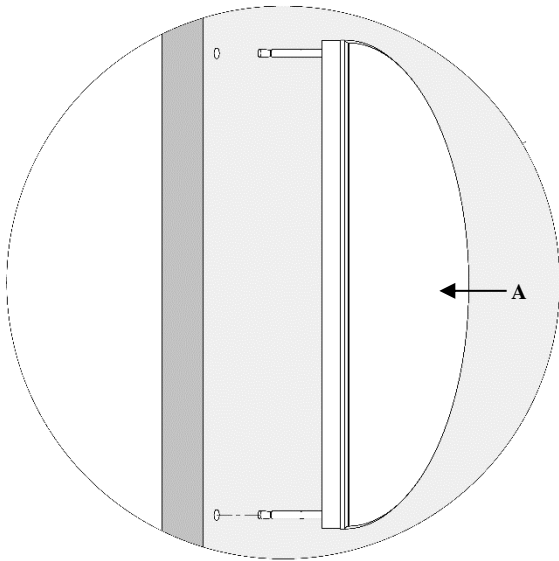
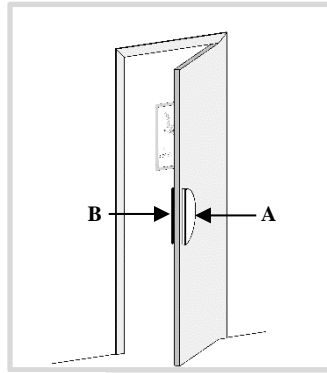


Drill  $\varnothing$  9.5 mm  $\frac{+0.40}{-0.00}$

$\frac{3}{8}$ "  $\frac{+1/64"}{-0.00}$



STEP-3



STEP-4

