



Aged Brass (Finish ID:4)

## THE GABBA BACK TO BACK DOOR PULL

Item Code	Size (mm & Inches)	Material	Size (Inches)				Fig.
			A	B	C	D	
1 DDP.1012.6".XX.XXX.XXXX	152.4mm (6")	Brass	6	0.65	2.36	1.48	1

"XX" in item code denotes Finish ID.  
 "XXX" in item code denotes Door Thickness.  
 "XXXX" in item code denotes Door Material.

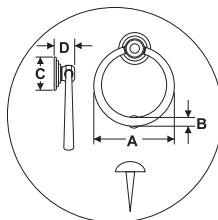
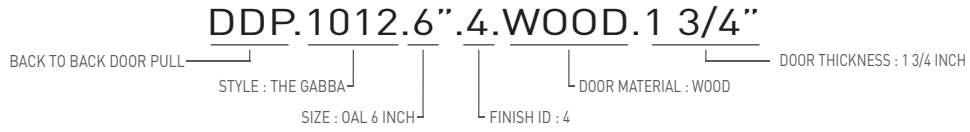


FIG. 1 This product is Supplied with Mounting Kit including with the Order.

## How to Order



## The Gabba Back To Back Door Pull Finish Options

Base Material : Brass	Standard Finishes (2-3 Weeks Delivery)
<div style="display: flex; justify-content: space-around; align-items: center;"> <div style="text-align: center;"> Bright Chrome (Finish ID:2)</div> <div style="text-align: center;"> Brush Nickel (Finish ID:3)</div> <div style="text-align: center;"> Aged Brass (Finish ID:4)</div> <div style="text-align: center;"> Unlacquered PB (Finish ID:7U)</div> <div style="text-align: center;"> Polished Nickel (Finish ID:8)</div> <div style="text-align: center;"> Satin Brass (Finish ID:13)</div> </div>	
Base Material : Brass	Custom Finishes (3-4 Weeks Delivery)*
<div style="display: flex; justify-content: space-around; align-items: center;"> <div style="text-align: center;"> Lacquered Polished Brass (Finish ID:7L)</div> <div style="text-align: center;"> Matte Black (Finish ID:19)</div> <div style="text-align: center;"> Graphite (Finish ID:61)</div> <div style="text-align: center;"> Ombre (Finish ID:92)</div> <div style="text-align: center;"> Brush Chrome (Finish ID:95)</div> </div>	

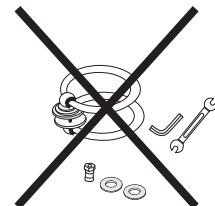
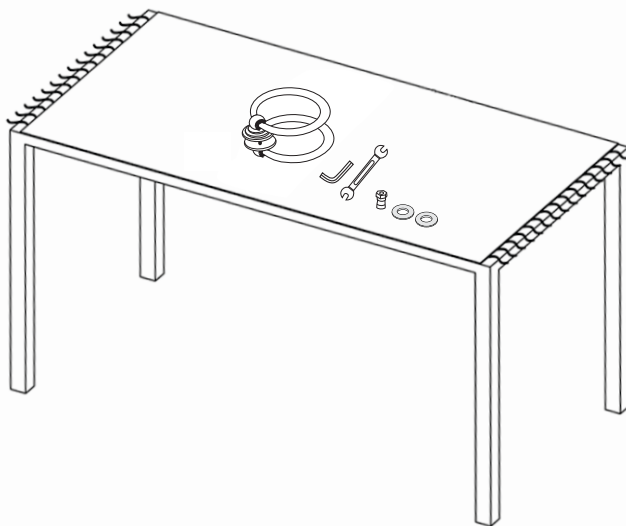
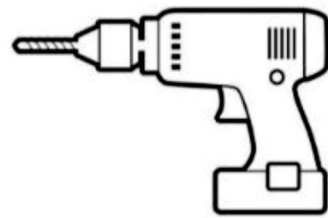
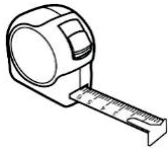
Door Material	Door Thickness
1. Wood	5/16", 3/8", 1/2", 3/4", 1", 1 1/4", 1 1/2", 1 3/4", 2", 2 1/4", 2 1/2"
2. Metal	5/16", 3/8", 1/2", 3/4", 1", 1 1/4", 1 1/2", 1 3/4", 2", 2 1/4", 2 1/2"
3. Glass	5/16", 3/8", 1/2", 3/4", 1"

- Custom finishes cannot be returned or refunded. We are unable to accept cancellations for custom finish order unless within 48 hours of the order being placed.
- We have uniform pricing for all non-hammered finishes listed above as long as base material and size is same.
- Contact us for customized finishes, refer pages F1, F2, F3 & F4 for finish glossary.

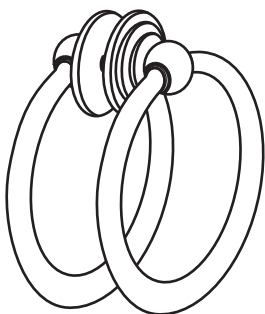
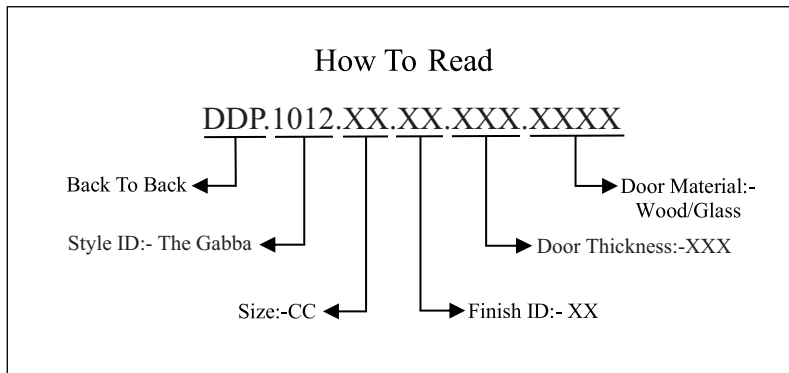
**BACK TO BACK  
HANDLE ILLUSTRATED**



Required Tools



Step Wise Packing List			
S.No.	Part Number	Qty	Steps
1	DDP.1012.XX.XX.XXX.XXXX	1x	1
2	SLEEVE	1x	1
3	LNKY2.5	1x	1
4	INSERT	1x	1
5	WASHER	2x	1
6	DDP.SPANNER (No.10,11)	1x	4
7	RIVET	1x	4
8	Manual	1x	-



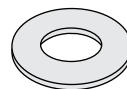
DDP.836.XX.XX.XXX.XXXX



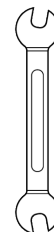
LNKY2.5



INSERT



WASHER



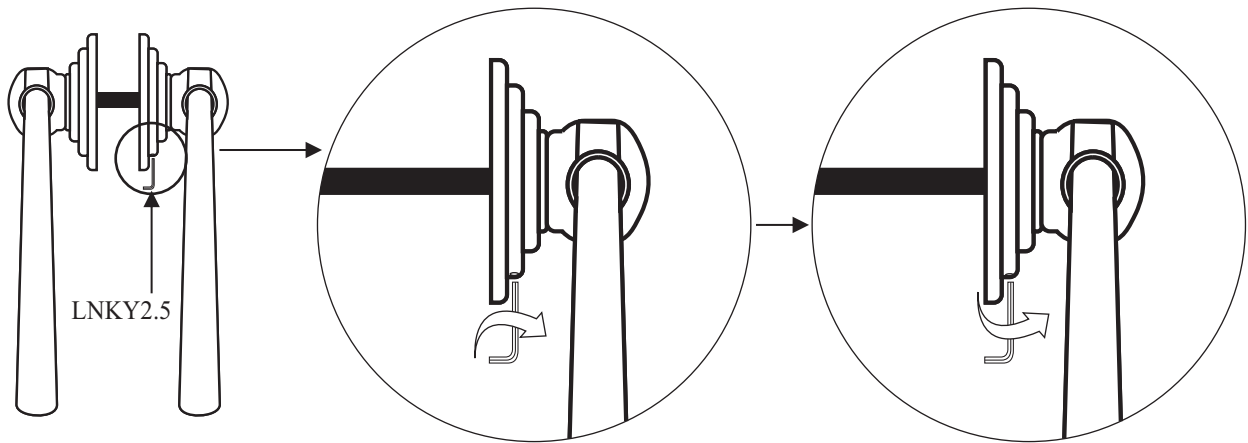
DDP.SPANNER (No.10,11)



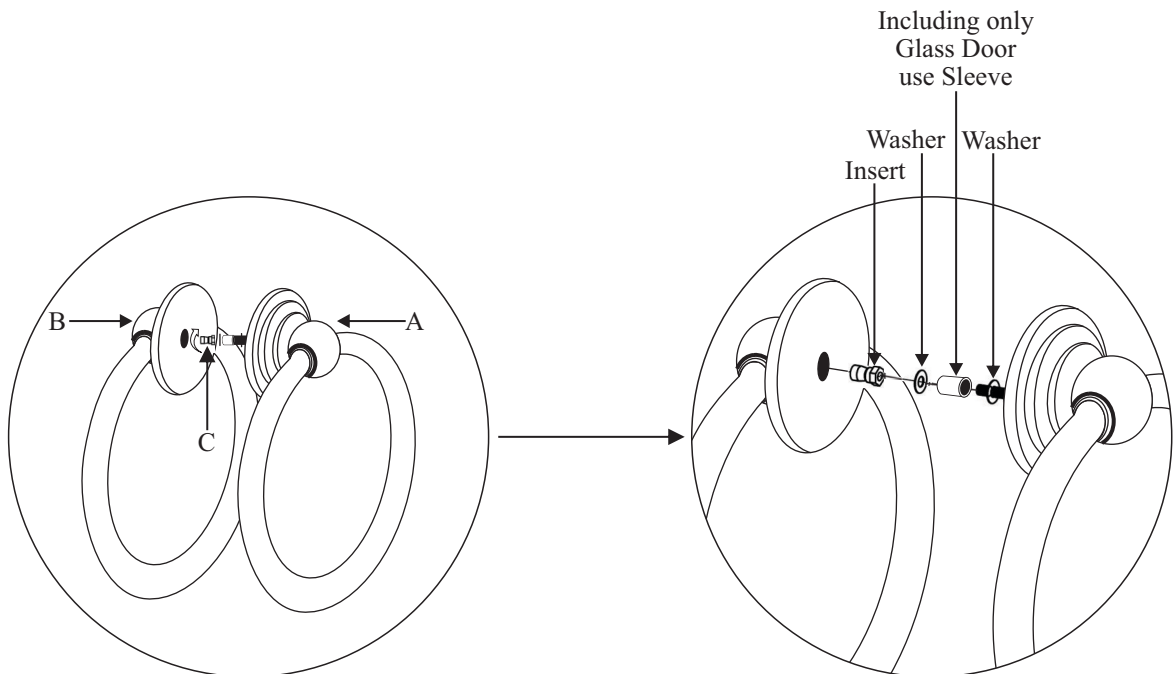
RIVET

STEP-1

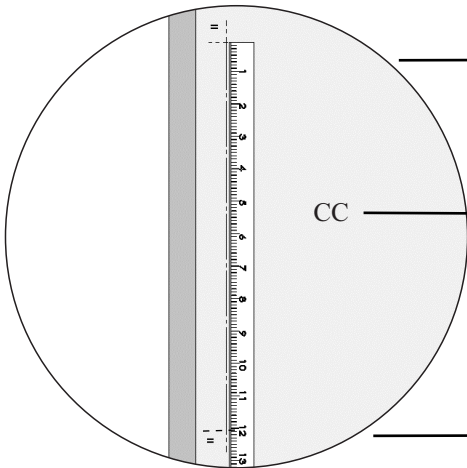
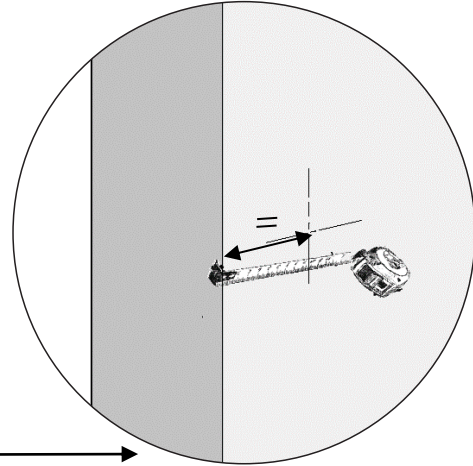
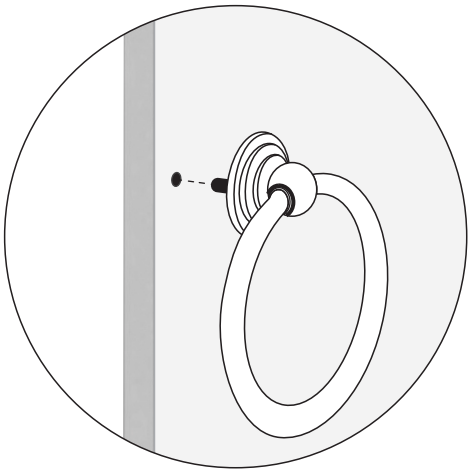
Step Wise Packing List			
S.No.	Part Number	Qty	Steps
1	DDP.1012.XX.XX.XXX.XXXX	1x	1
2	SLEEVE	1x	1
3	LNKY2.5	1x	1
4	INSERT	1x	1
5	WASHER	2x	1



DDP.1012.XX.XX.XXX.XXXX

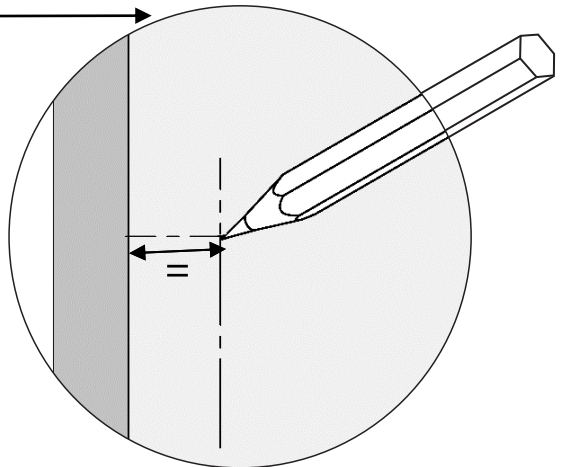
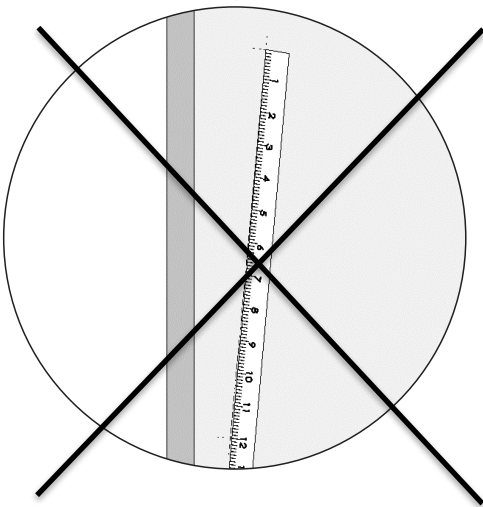


STEP-2

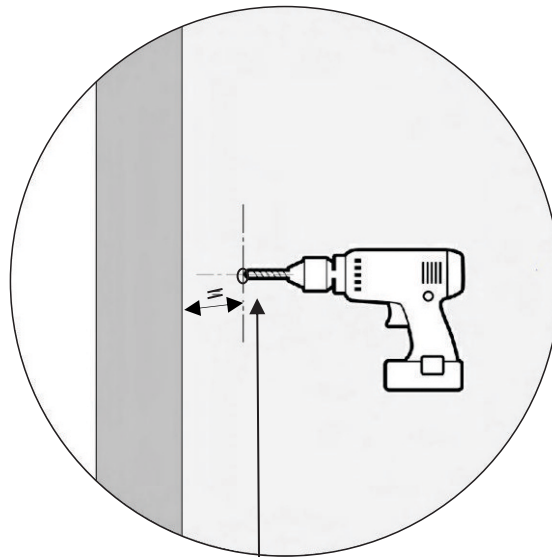
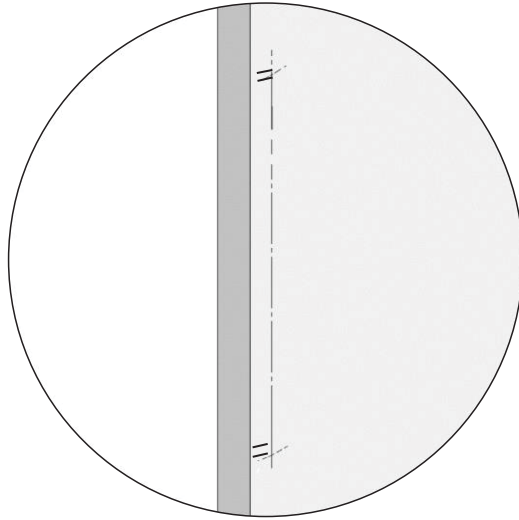


DDP.1012.XX.XX.XXX.XXXX

Size:-CC  
↓  
6"



STEP-3

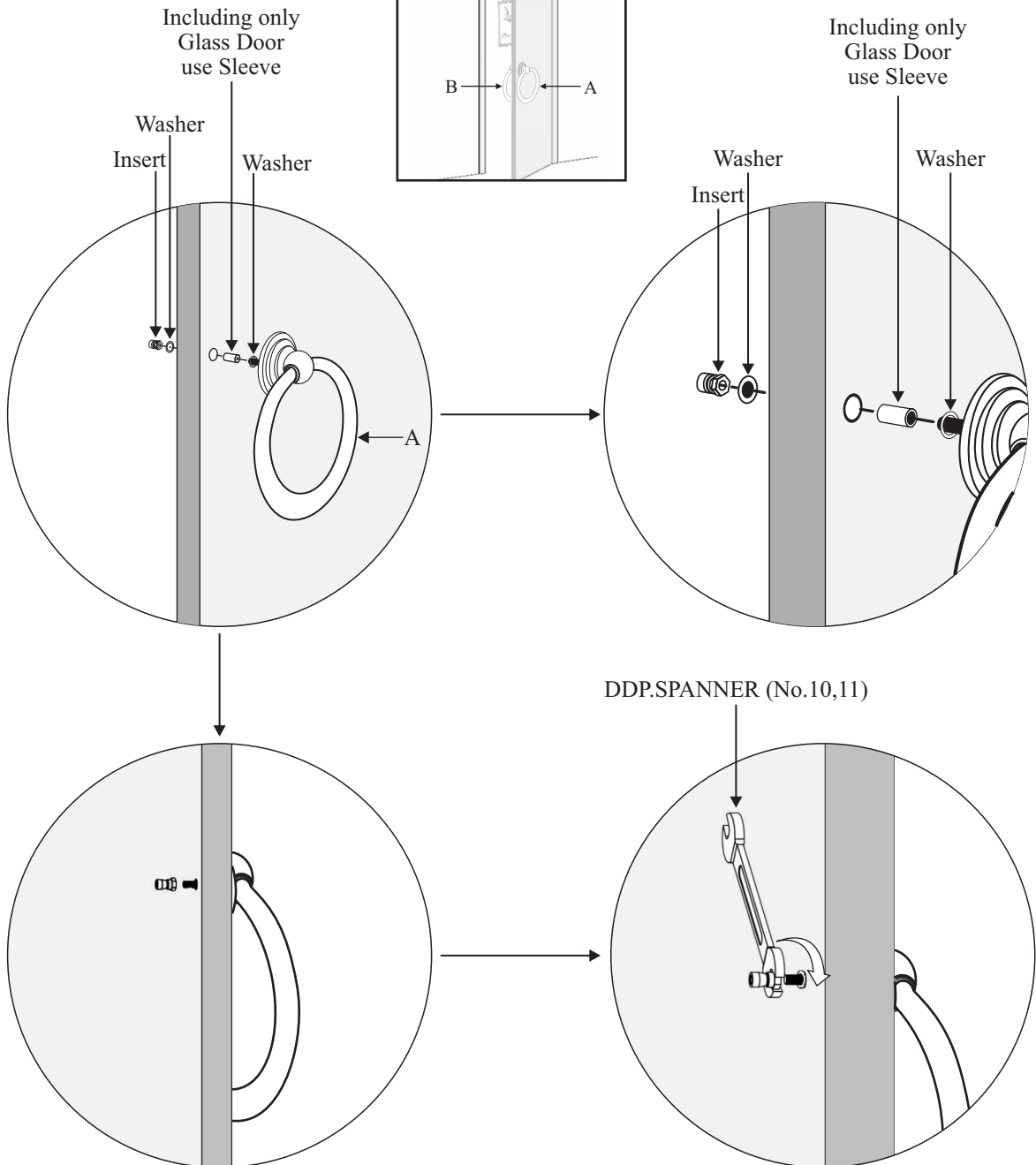
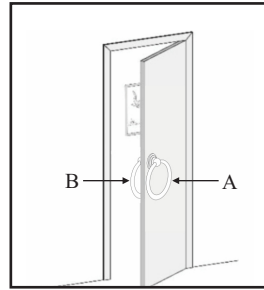


DRILL SIZE			
	Glass	Wood	Metal
<b>DDP</b>	3/8" (9.5mm)	1/4" (6.4mm)	1/4" (6.4mm)

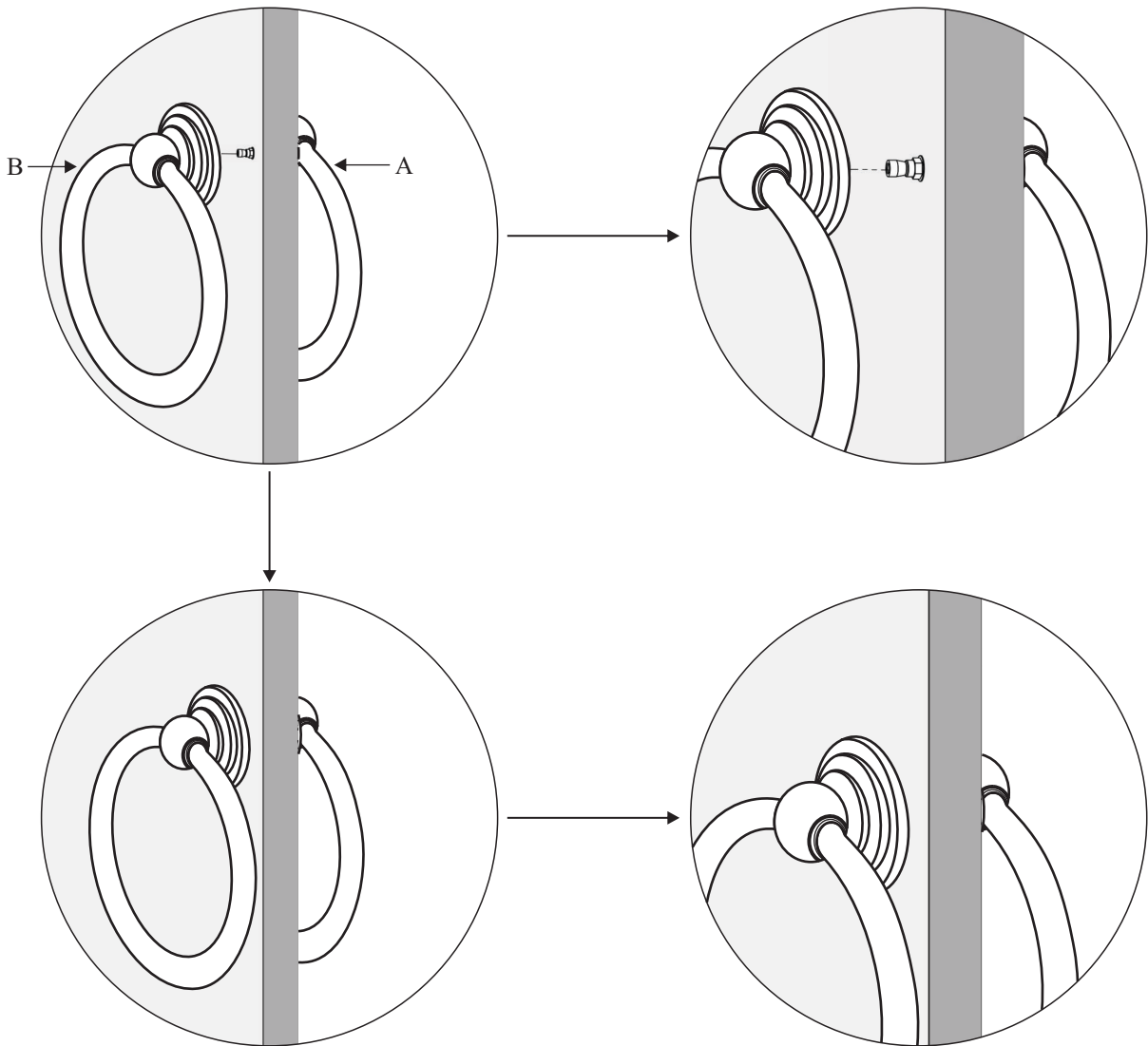
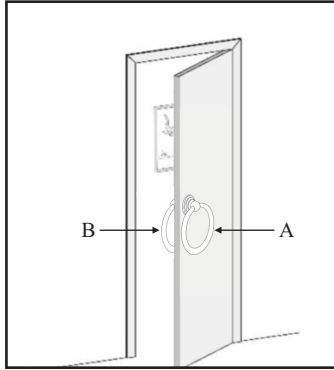


STEP-4

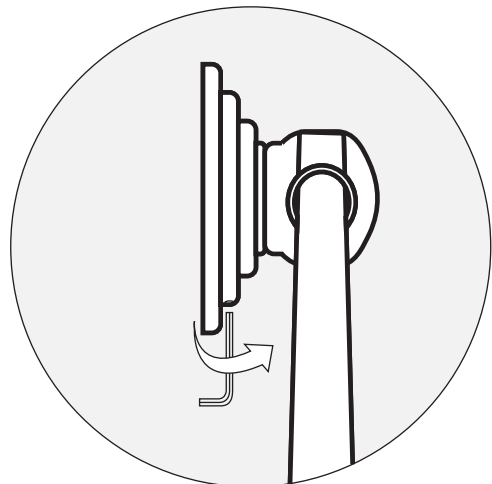
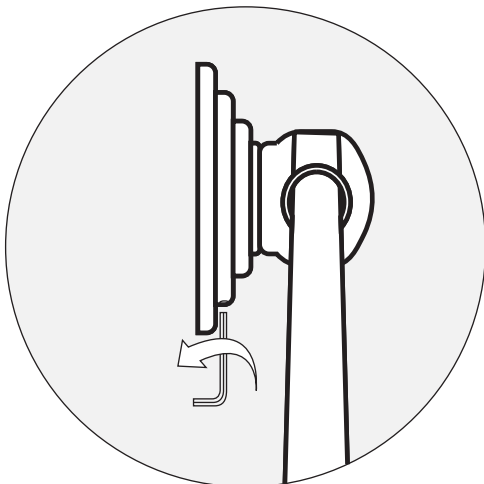
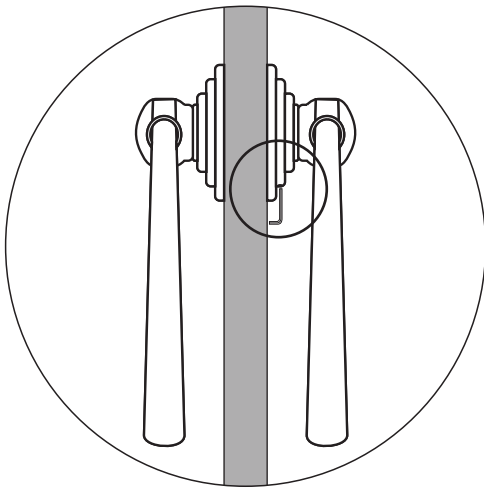
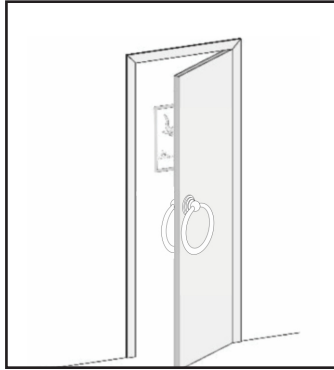
Step Wise Packing List			
S.No.	Part Number	Qty	Steps
6	DDP.SPANNER (No.10,11)	1x	4



STEP-5



STEP-6



STEP-7

Step Wise Packing List			
S.No.	Part Number	Qty	Steps
7	RIVET	1x	7

