



Satin Brass (Finish ID:13)

OAKRIDGE BACK TO BACK SIDE BY SIDE DOOR PULL

	Item Code	Size (mm & Inches)	Material	Size (Inches)				Fig.
				A	B	C	D	
1	DDP.1008.9".XX.XXX.XXXX	228.6mm (9")	Brass	14	3	9	0.45	1
2	DDP.1008.9".XX.XXX.XXXX	228.6mm (9")	Bronze	14	3	9	0.45	1

"XX" in item code denotes Finish ID.
 "XXX" in item code denotes Door Thickness.
 "XXXX" in item code denotes Door Material.

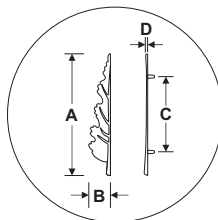


FIG. 1

This product is Supplied with Mounting Kit including with the Order.

How to Order

DDP.1008.9".13.WOOD.1 3/4"

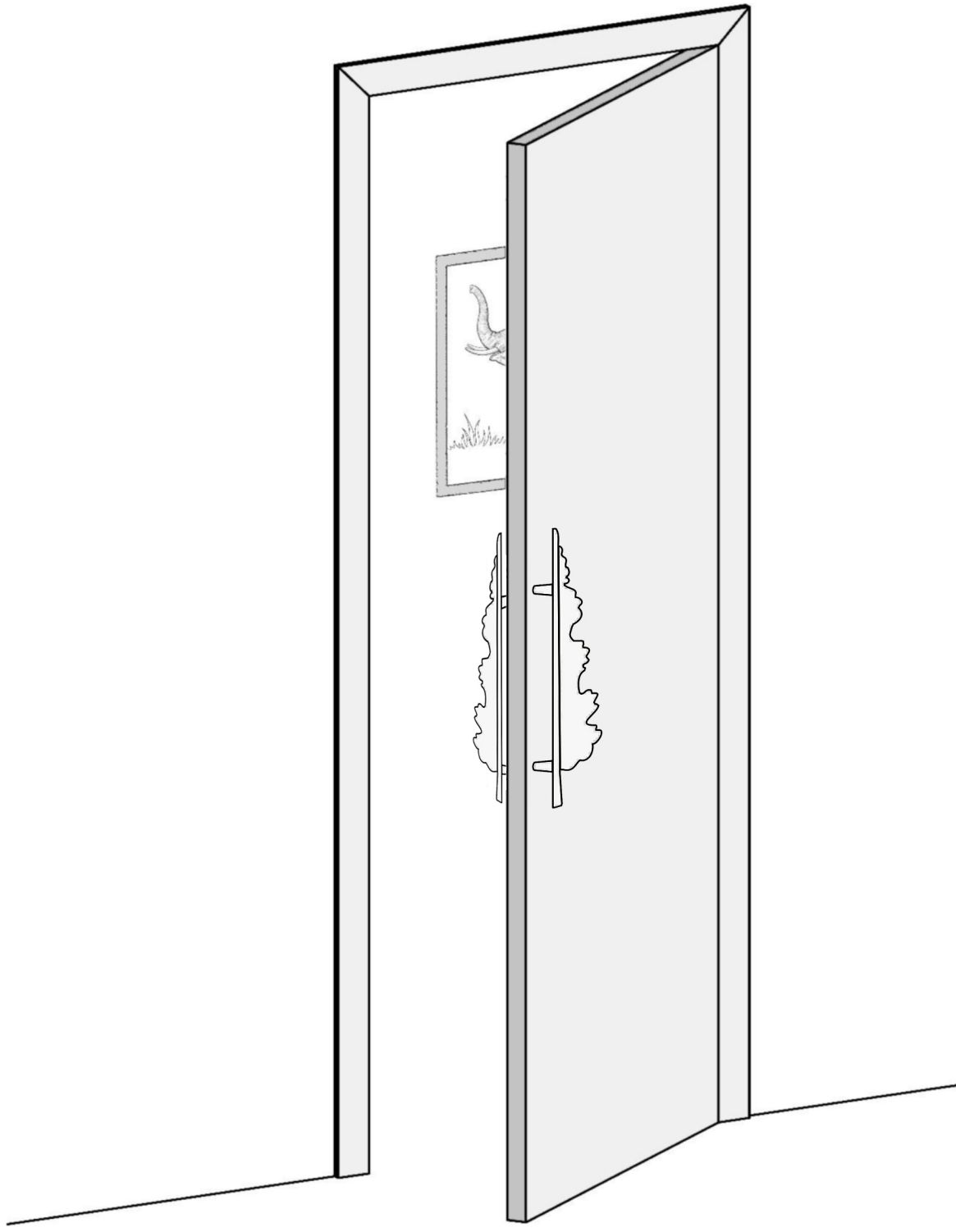


Oakridge Back To Back Side By Side Door Pull Finish Options

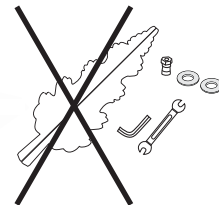
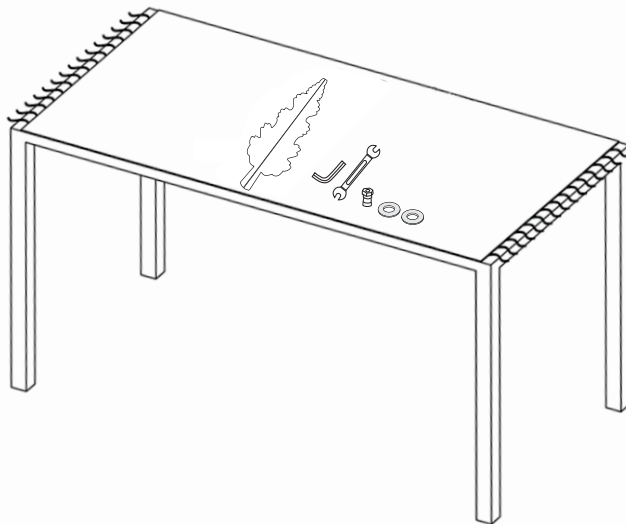
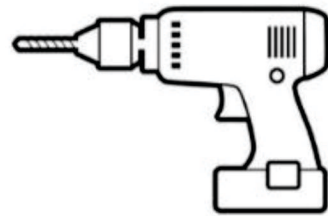
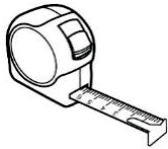
Base Material : Brass	Standard Finishes (2-3 Weeks Delivery)
 Brush Nickel (Finish ID:3)	 Aged Brass (Finish ID:4)
 Unlacquered Polished Brass (Finish ID:7U)	 Polished Nickel (Finish ID:8)
 Satin Brass (Finish ID:13)	
Base Material : Brass	Custom Finishes (3-4 Weeks Delivery)*
 Lacquered Polished Brass (Finish ID:7L)	 Matte Black (Finish ID:19)
	 Ombre (Finish ID:92)
Base Material : Bronze	Custom Finishes (3-4 Weeks Delivery)*
 Silicon Bronze Light (Finish ID:53)	 Silicon Bronze Dark (Finish ID:53D)
	 White Bronze (Finish ID:54)
Door Material	Door Thickness
1. Wood	5/16", 3/8", 1/2", 3/4", 1", 1 1/4", 1 1/2", 1 3/4", 2", 2 1/4", 2 1/2"
2. Metal	5/16", 3/8", 1/2", 3/4", 1", 1 1/4", 1 1/2", 1 3/4", 2", 2 1/4", 2 1/2"
3. Glass	5/16", 3/8", 1/2", 3/4", 1"

- Custom finishes cannot be returned or refunded. We are unable to accept cancellations for custom finish order unless within 48 hours of the order being placed.
- We have uniform pricing for all non-hammered finishes listed above as long as base material and size is same.
- Contact us for customized finishes, refer pages F1, F2, F3 & F4 for finish glossary.

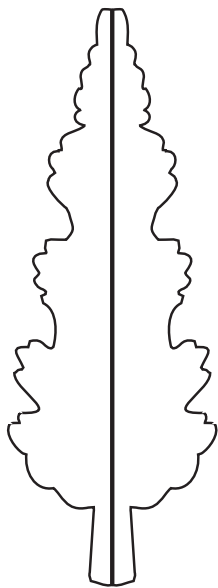
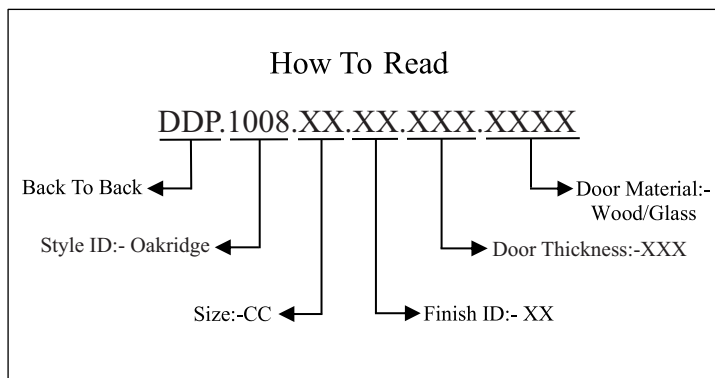
**BACK TO BACK
HANDLE ILLUSTRATED**



Required Tools



Step Wise Packing List			
S.No.	Part Number	Qty	Steps
1	DDP.1008.XX.XX.XXX.XXXX	1x	1
2	SLEEVE	1x	1
3	LNKY2.5	1x	1
4	INSERT	1x	1
5	WASHER	2x	1
6	DDP.SPANNER (No.10,11)	1x	4
7	Manual	1x	-



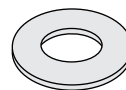
DDP.1008.XX.XX.XXX.XXXX



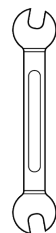
LNKY2.5



INSERT



WASHER

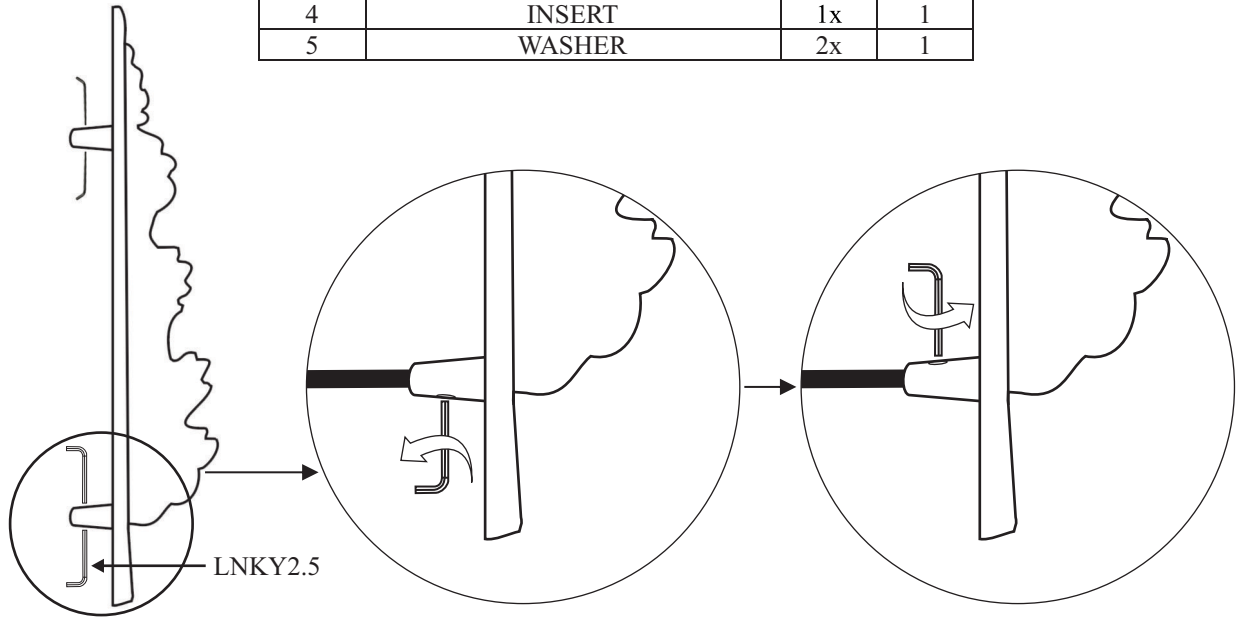


DDP.SPANNER (No.10,11)

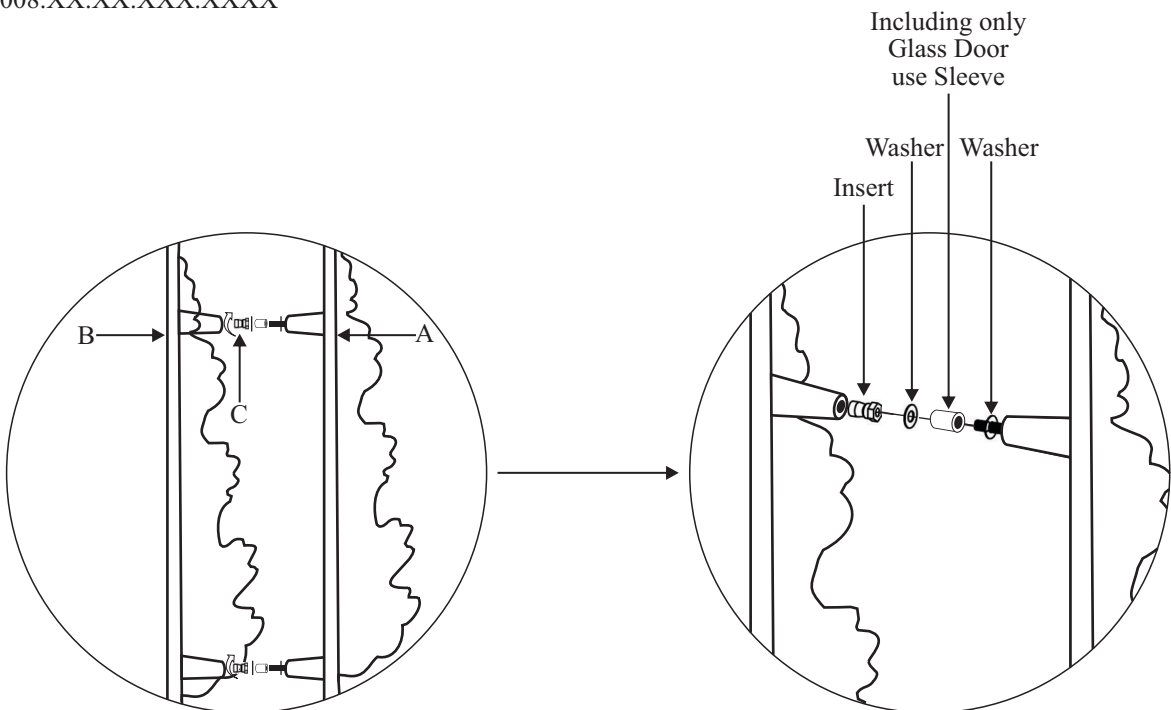


STEP-1

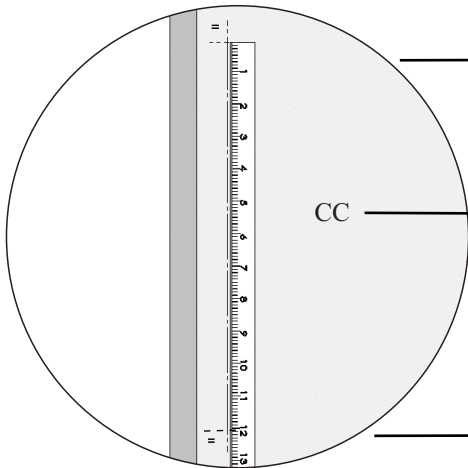
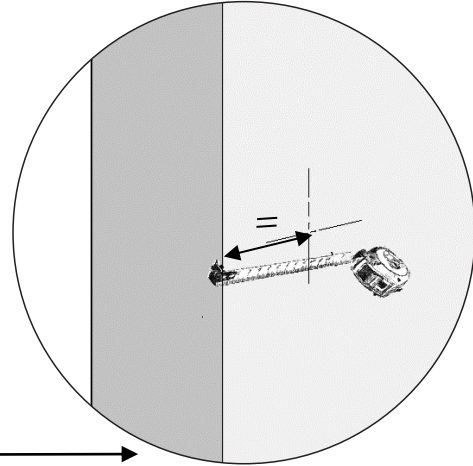
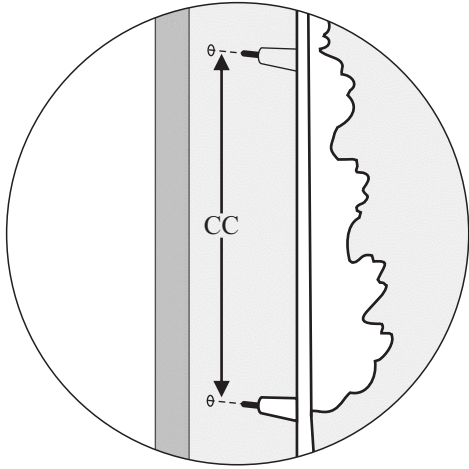
Step Wise Packing List			
S.No.	Part Number	Qty	Steps
1	DDP.1008.XX.XX.XXX.XXXX	1x	1
2	SLEEVE	1x	1
3	LNKY2.5	1x	1
4	INSERT	1x	1
5	WASHER	2x	1



DDP.1008.XX.XX.XXX.XXXX

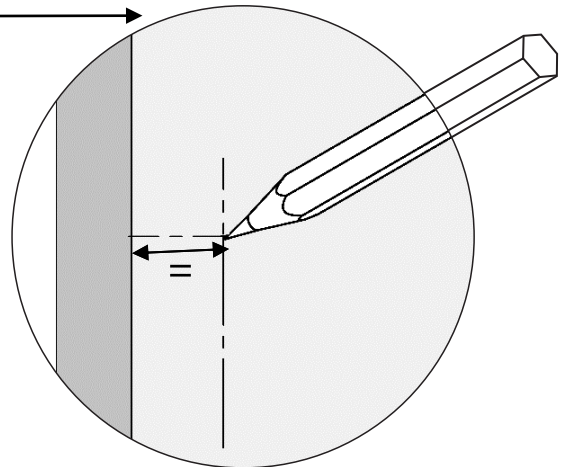
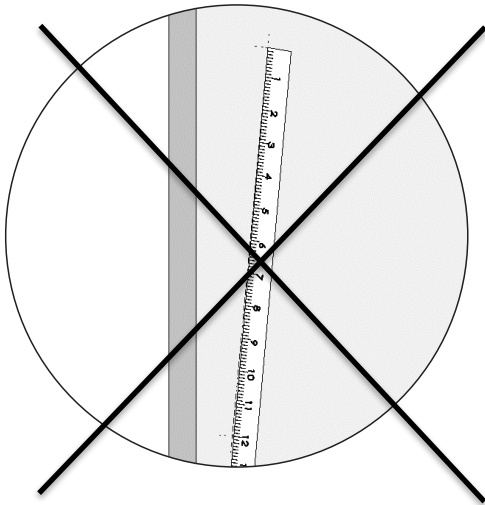


STEP-2

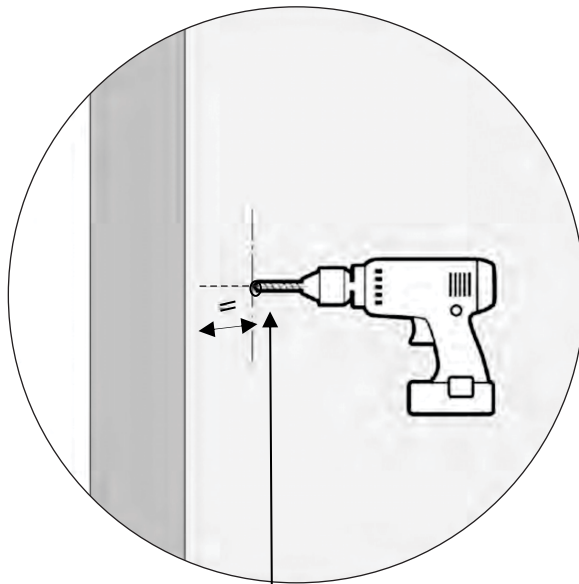
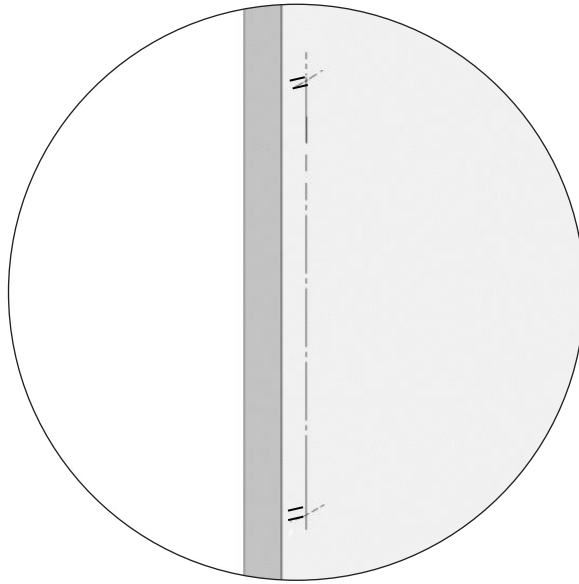


DDP.1008.XX.XX.XXX.XXXX

Size:-CC
9"



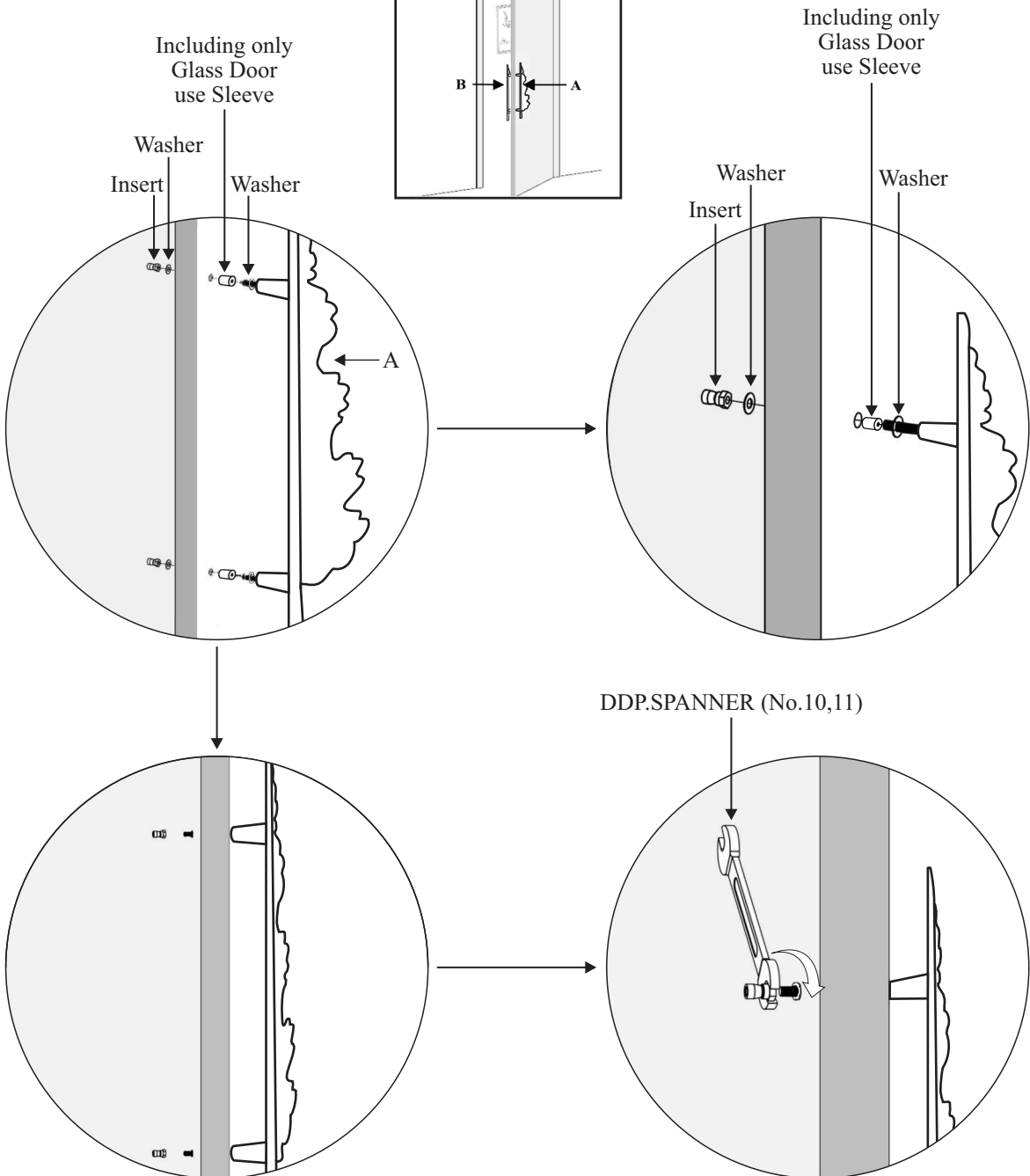
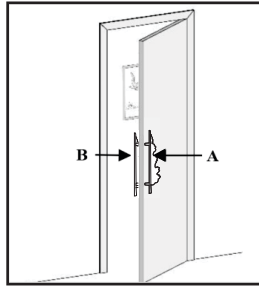
STEP-3



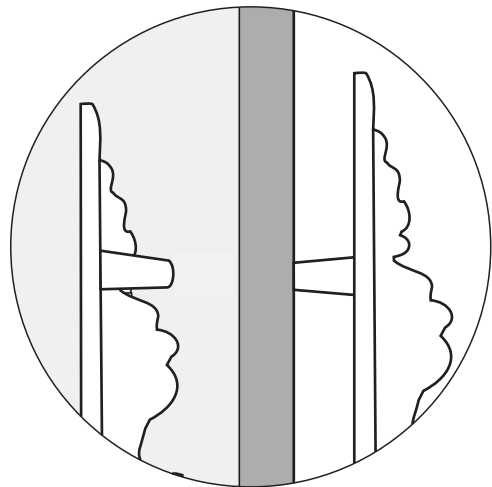
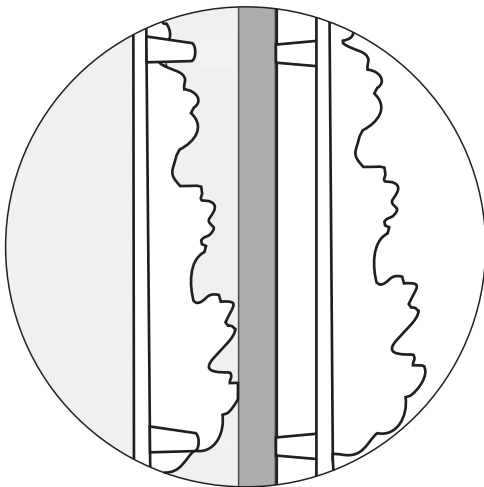
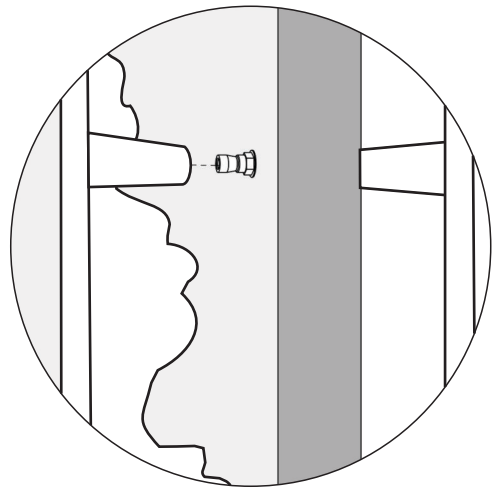
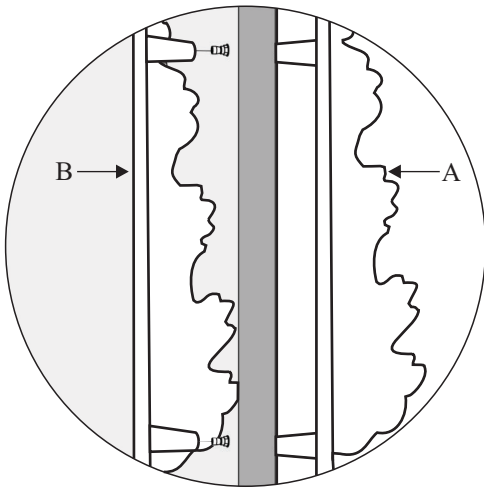
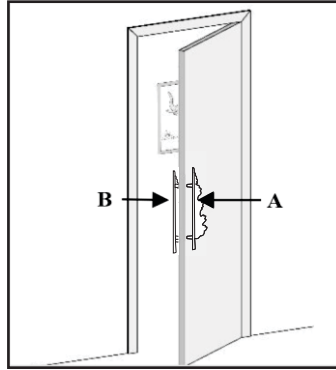
DRILL SIZE			
	Glass	Wood	Metal
DDP	3/8" (9.5mm)	1/4" (6.4mm)	1/4" (6.4mm)

STEP-4

Step Wise Packing List			
S.No.	Part Number	Qty	Steps
6	DDP.SPANNER (No.10,11)	1x	4



STEP-5



STEP-6

