



Aged Brass (Finish ID:4)

HEATHCOTE BACKSPLASH RAIL

Item Code	Size (mm & Inches)	Material	Size (Inches)				Fig.
			A	B	C	D	
1 BR.1048.18".XX	457.2mm (18")	Brass	18	1.38	12	2.8	1
2 BR.1048.24".XX	609.6mm (24")	Brass	24	1.38	18	2.8	1
3 BR.1048.30".XX	762mm (30")	Brass	30	1.38	24	2.8	1
4 BR.1048.36".XX	914.4mm (36")	Brass	36	1.38	30	2.8	1
5 BR.1048.48".XX	1219.2mm (48")	Brass	48	1.38	42	2.8	1
6 BR.1048.60".XX	1524mm (60")	Brass	60	1.38	54	2.8	2

"XX" in item code denotes Finish ID.

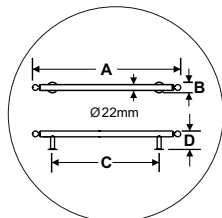


FIG. 1

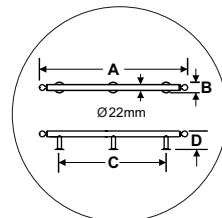


FIG. 2

This product is Supplied with Mounting Kit including with the Order.
This product is Supplied with 2 x S hooks per 1' length.

How to Order

BR.1048.18".4

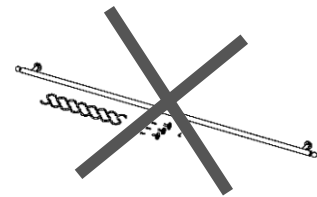
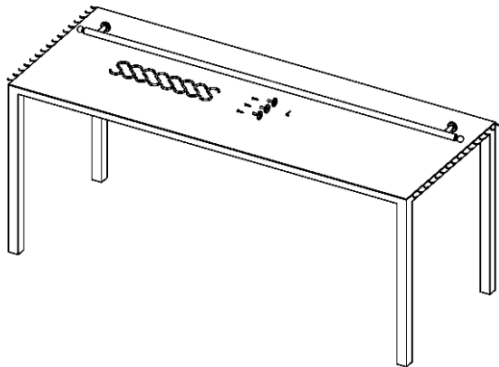
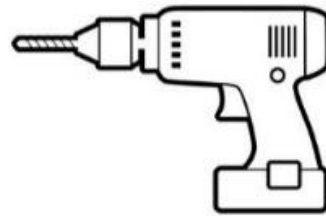
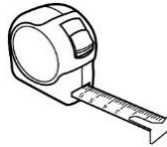
BACKSPLASH RAIL HEATHCOTE SIZE : OAL 18 INCH FINISH ID : 4

Heathcote Backsplash Rail Finish Options

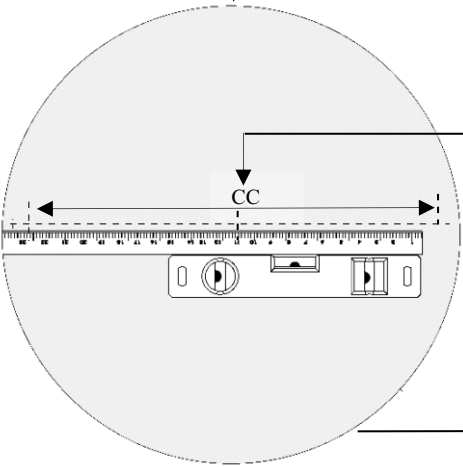
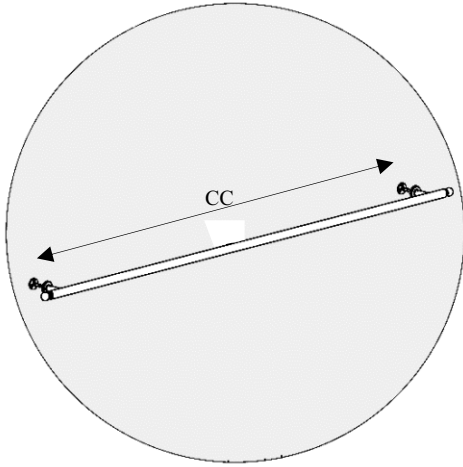
Base Material : Brass		Standard Finishes (2-3 Weeks Delivery)			
					
Brush Nickel (Finish ID:3)	Aged Brass (Finish ID:4)	Polished Nickel (Finish ID:8)	Satin Brass (Finish ID:13)		
Base Material : Brass		Custom Finishes (3-4 Weeks Delivery)*			
					
Matte Black (Finish ID:19)	Graphite (Finish ID:61)	Titanium (Finish ID:79)			

- Custom finishes cannot be returned or refunded. We are unable to accept cancellations for custom finish order unless within 48 hours of the order being placed.
- We have uniform pricing for all non-hammered finishes listed above as long as base material and size is same.
- Contact us for customized finishes, refer pages F1, F2, F3 & F4 for finish glossary.

Required Tools

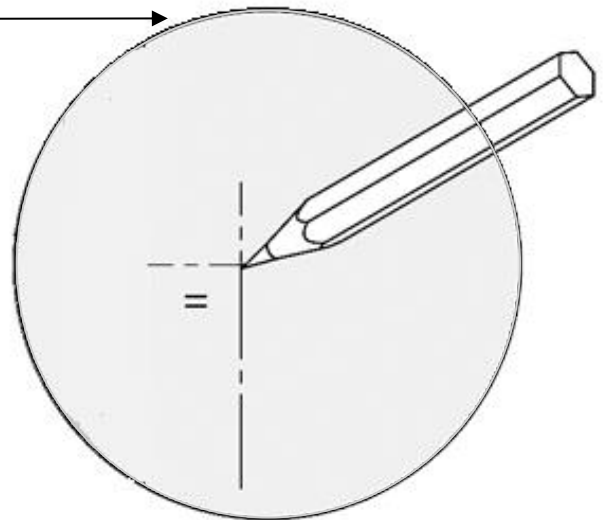
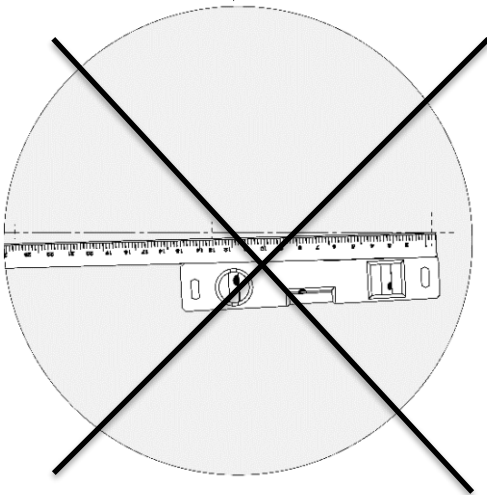


STEP-1

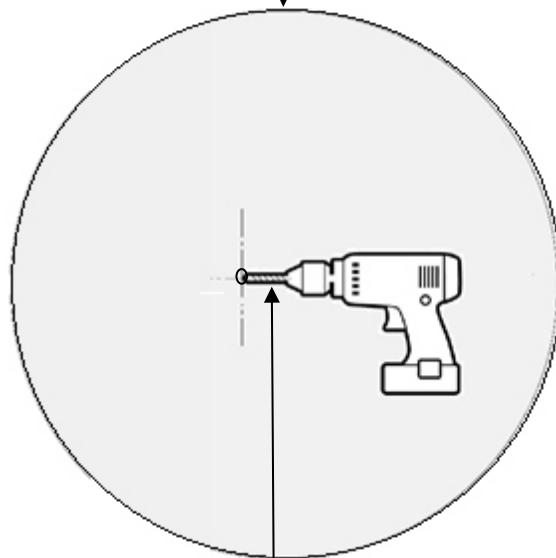
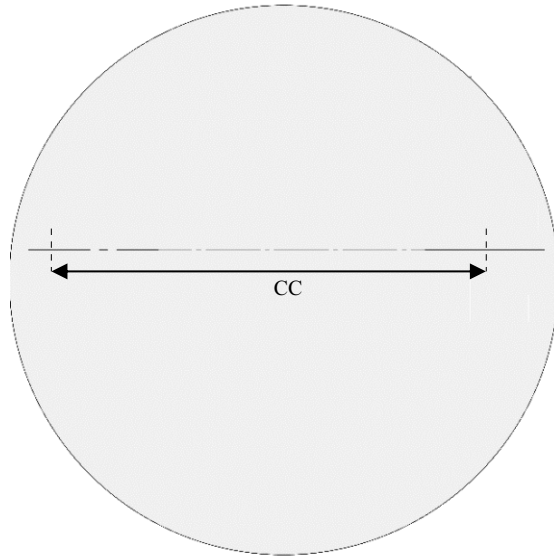


BR.1048.XX.XX

Size:-CC	OAL
12"	18"
18"	24"
24"	30"
30"	36"
42"	48"



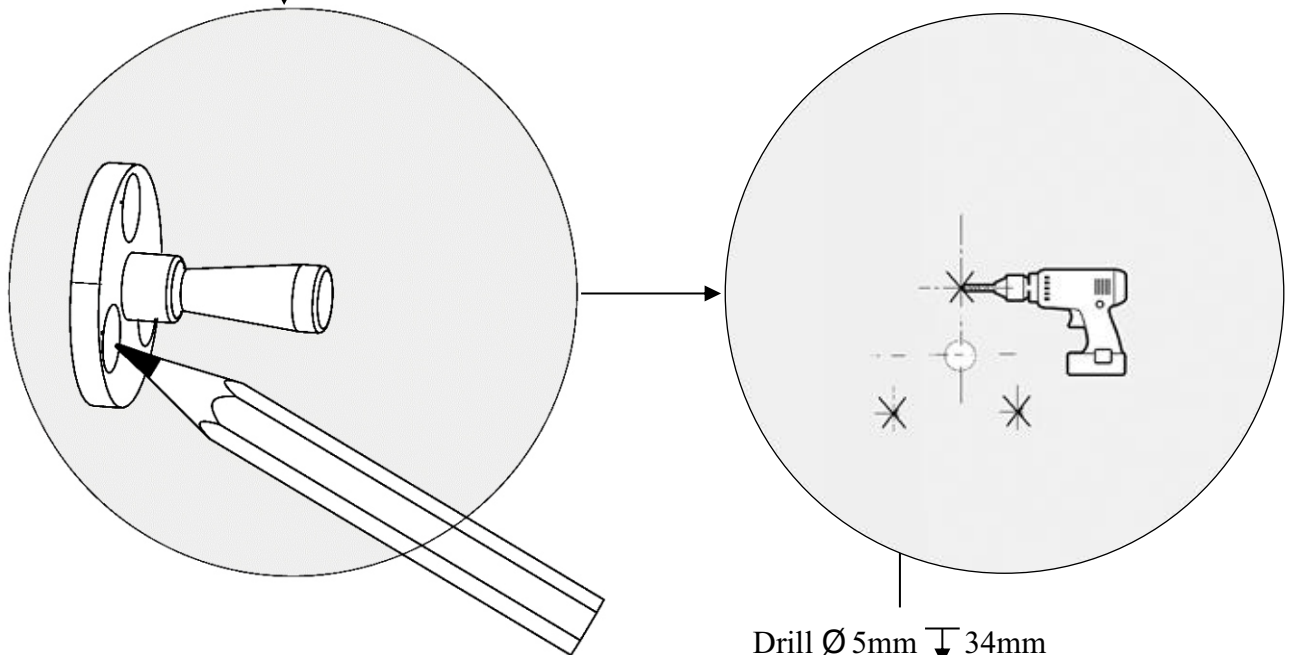
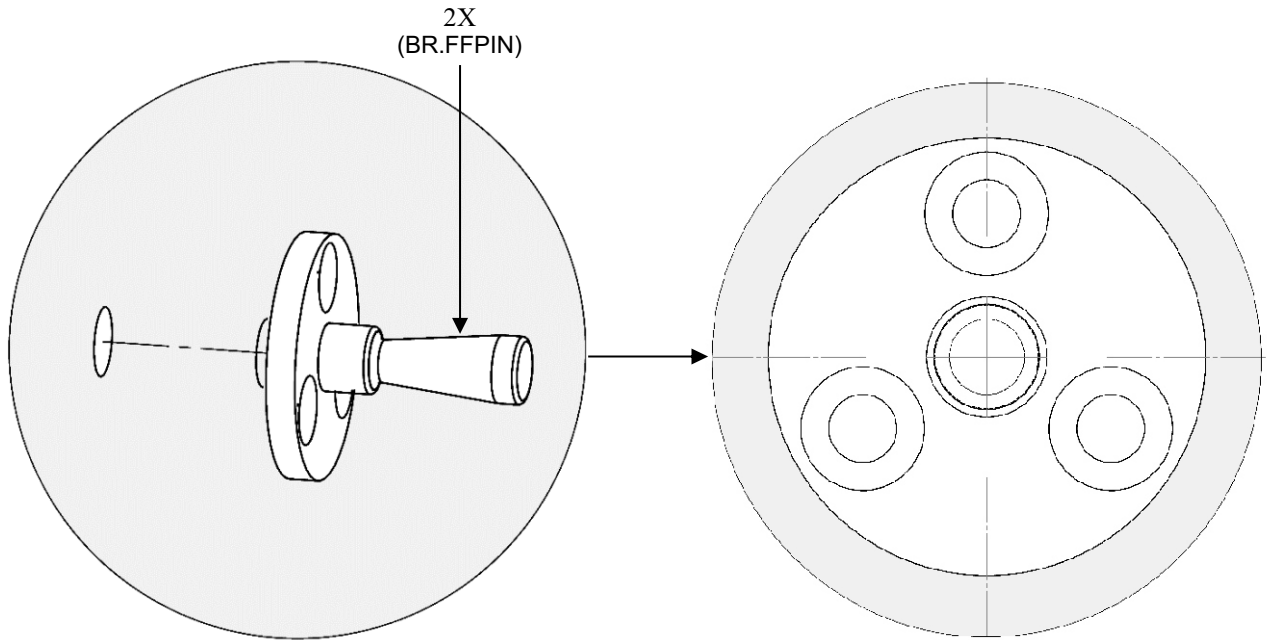
STEP-2



Drill \varnothing 8.5 mm $\frac{+0.40}{-0.00}$

$\frac{5}{16}$ " $\frac{+1/64''}{-0.00}$

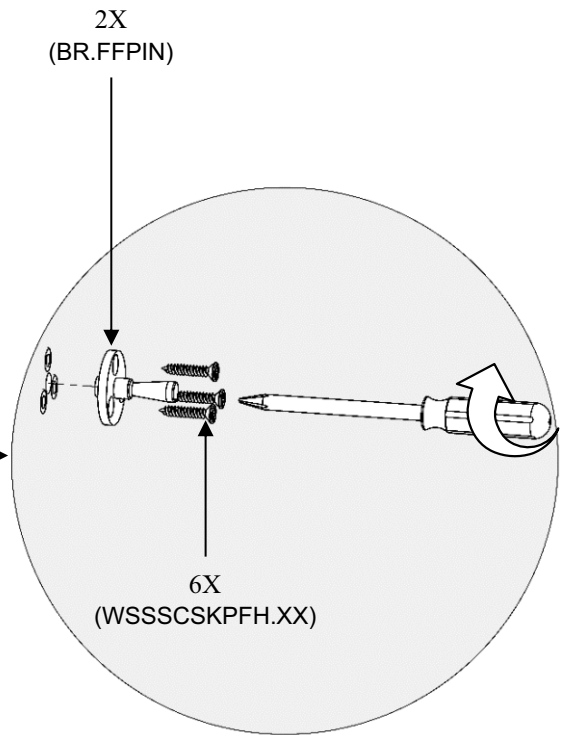
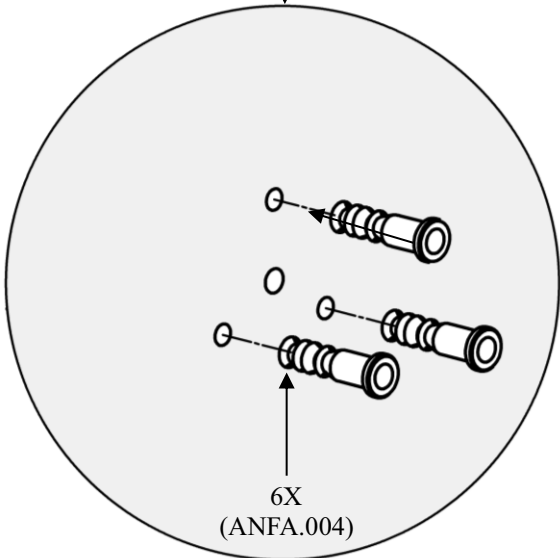
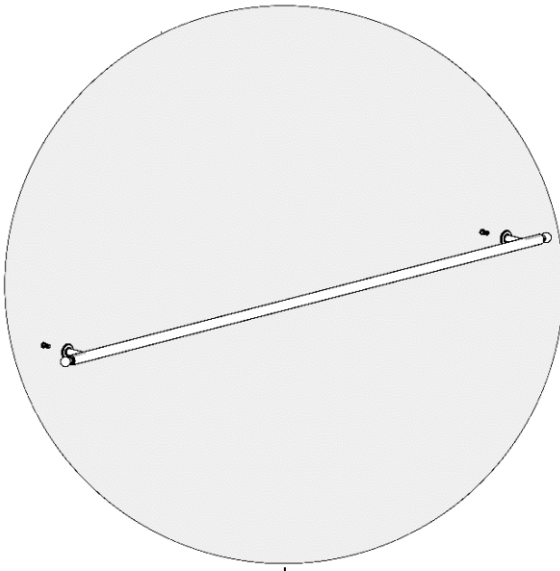
STEP-3



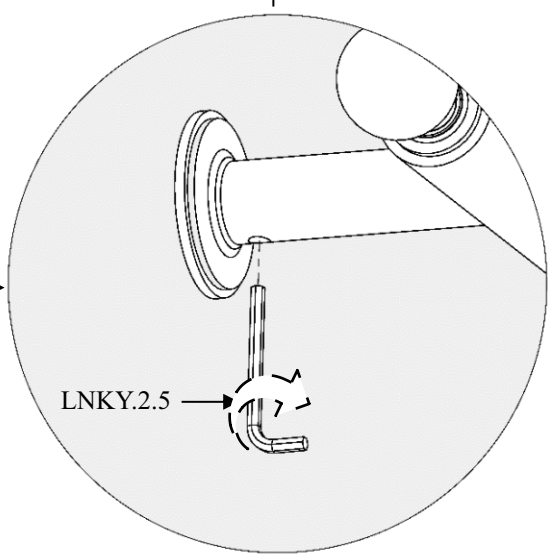
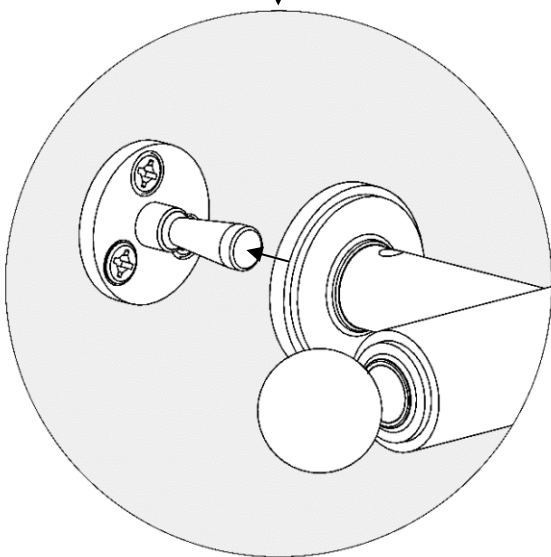
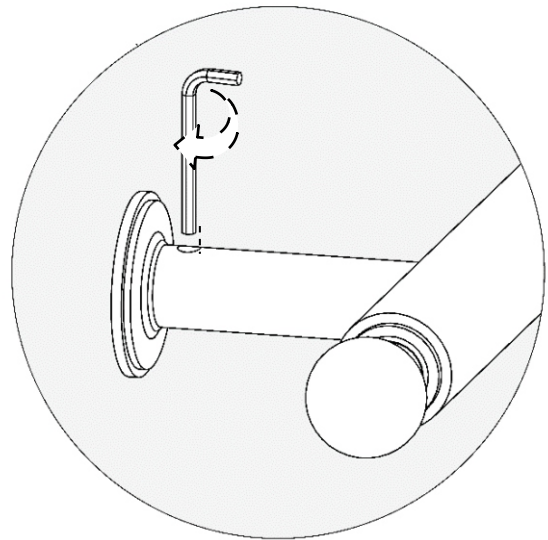
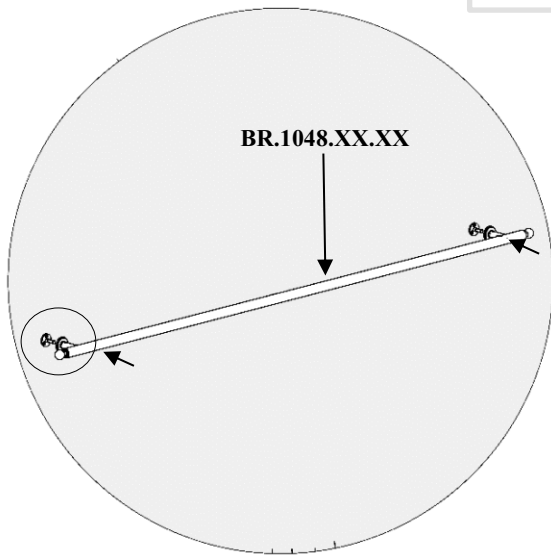
Drill \varnothing 5mm \downarrow 34mm

Drill \varnothing 3/16" \downarrow 1-5/16"

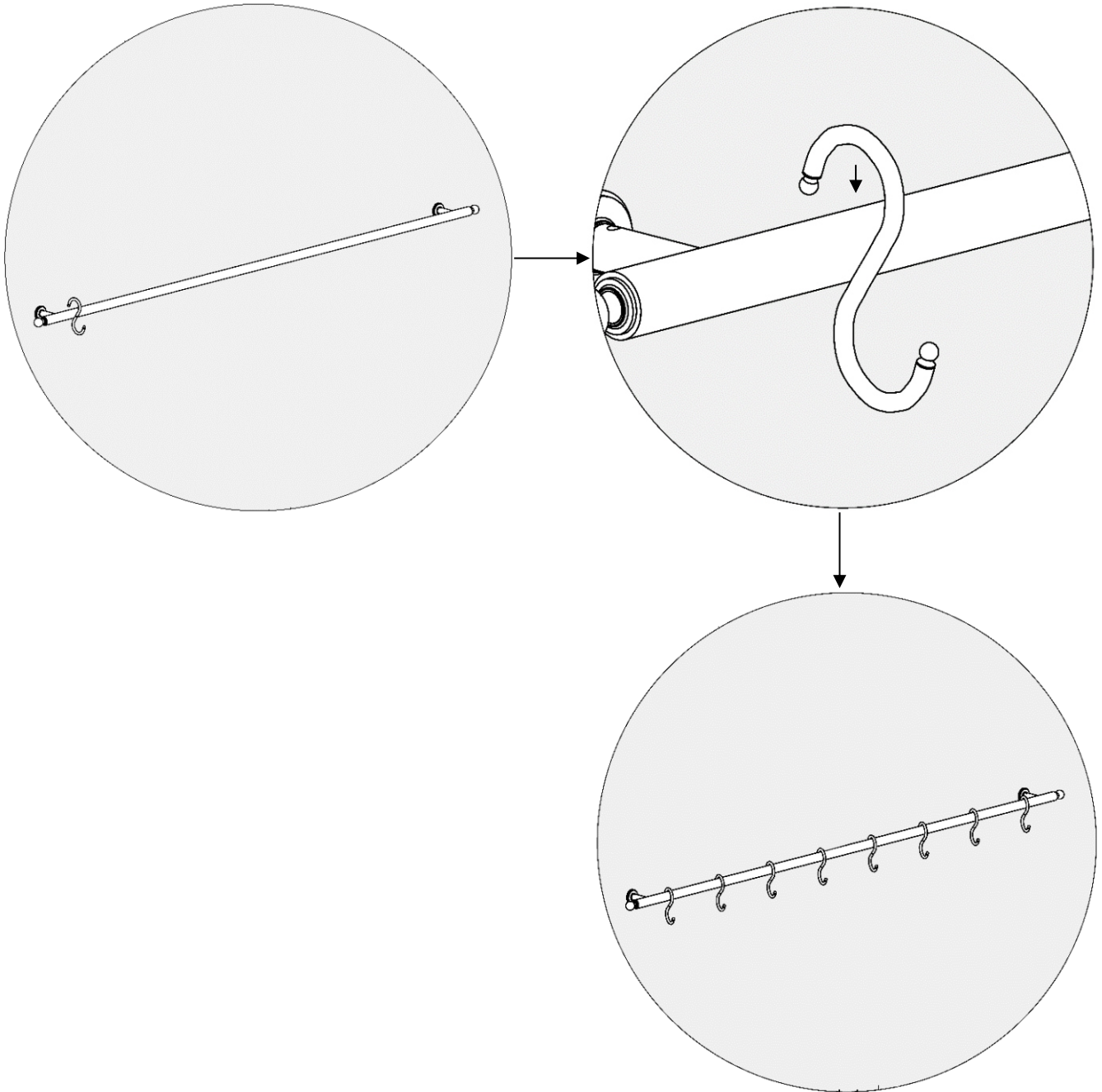
STEP-4



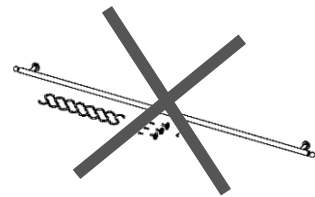
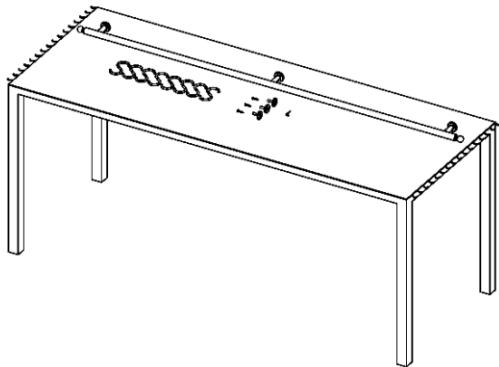
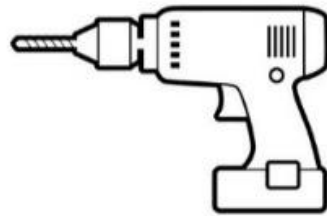
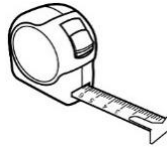
STEP-5



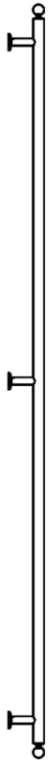
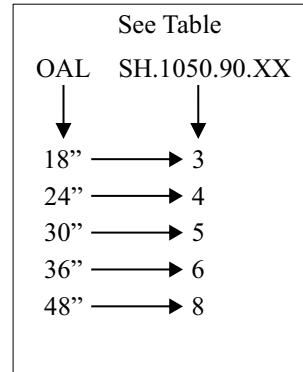
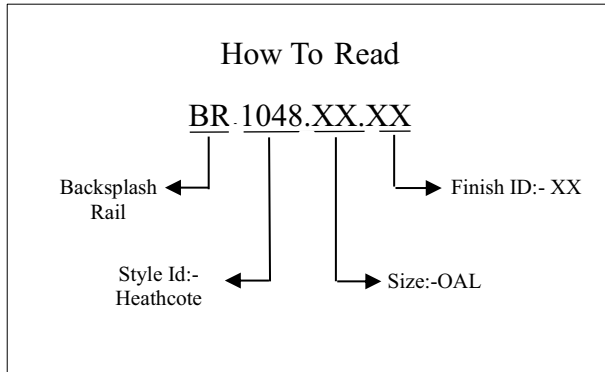
STEP-6



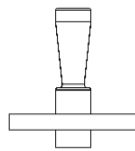
Required Tools



Step Wise Packing List			
S. No.	Part Number	Qty.	Steps
1	BR.1048.XX.XX	1x	1
2	BR.FFPIN	3x	3
3	ANFA.004	9x+1 ext.	4
4	WSSSCSKPFH.XX	9x+1 ext.	4
5	LNKY.2.5	1x	5
6	SH.1050.90.XX	13	6
7	Manual	1x	-



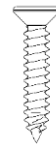
BR.1048.XX.XX



BR.FFPIN



ANFA.004



WSSSCSKPFH.XX

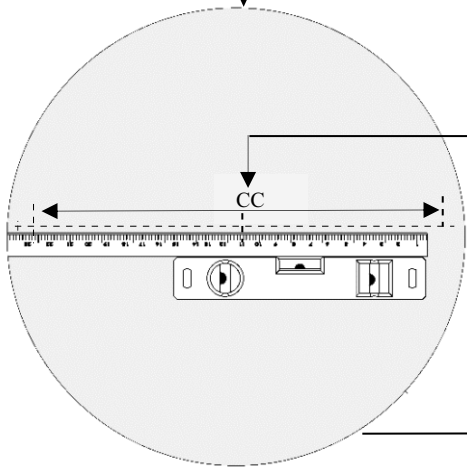
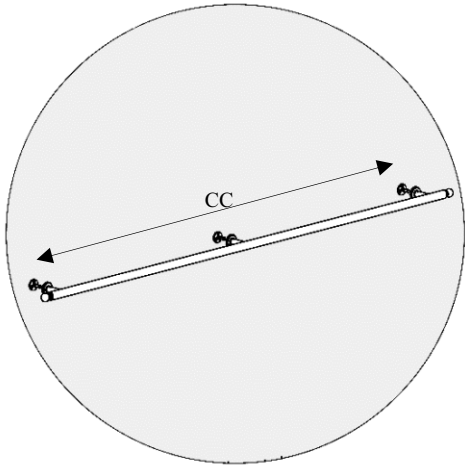


LNKY.2.5



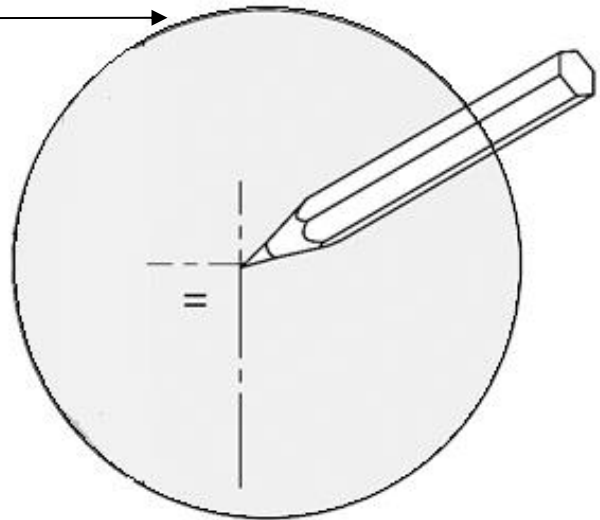
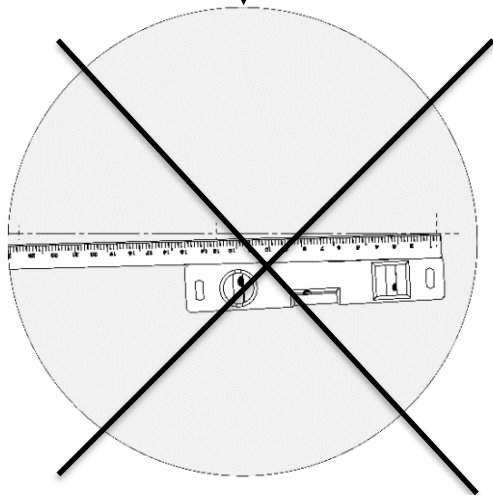
SH.1050.90.XX

STEP-1

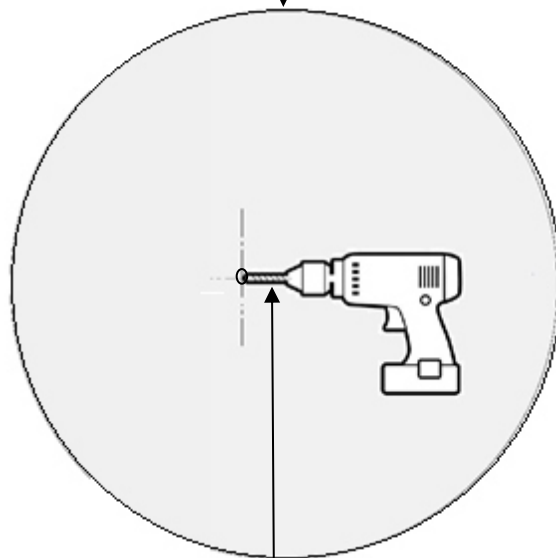
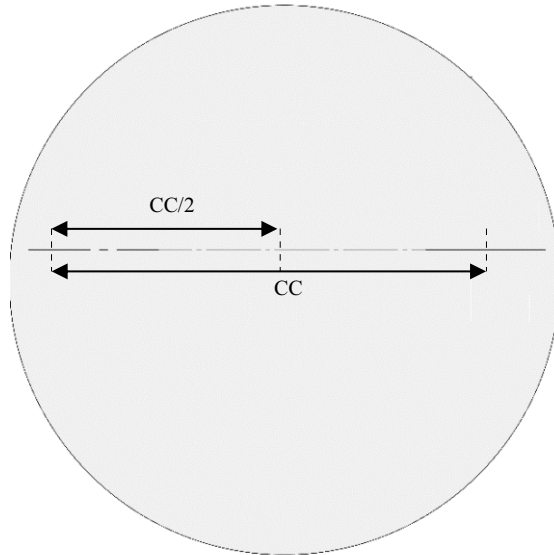


BR.1048.XX.XX

Size:-CC OAL
60" 54"



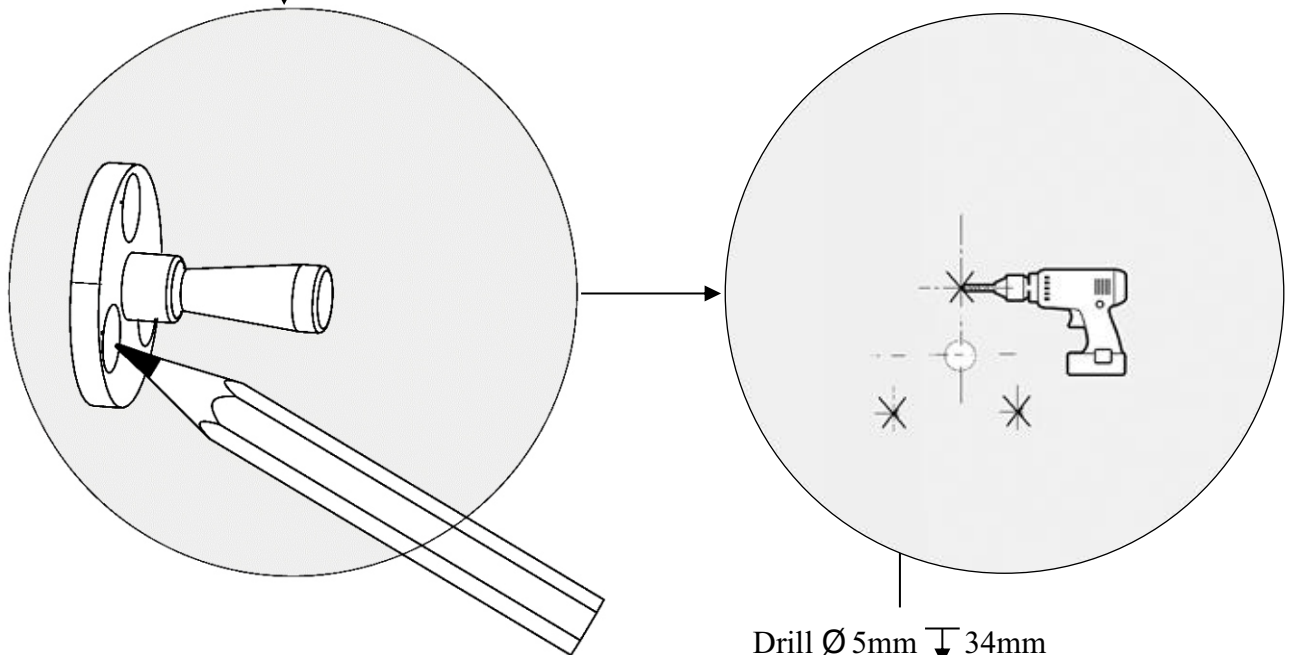
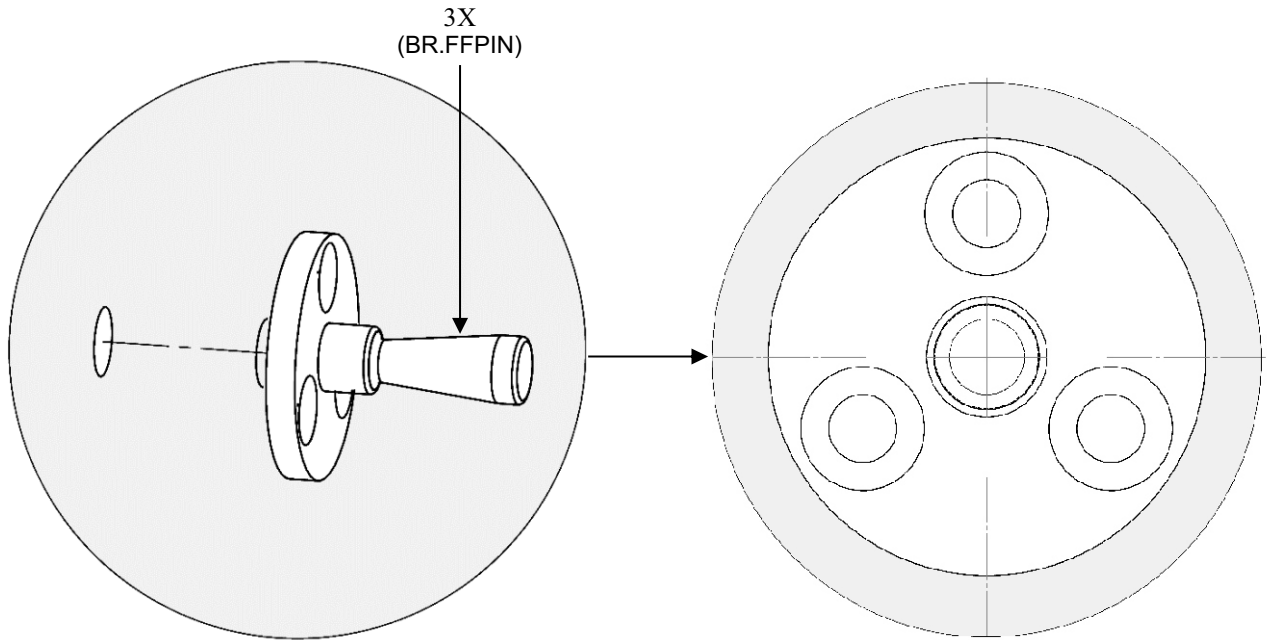
STEP-2



Drill \varnothing 8.5 mm $\frac{+0.40}{-0.00}$

$\frac{5}{16}$ " $\frac{+1/64''}{-0.00}$

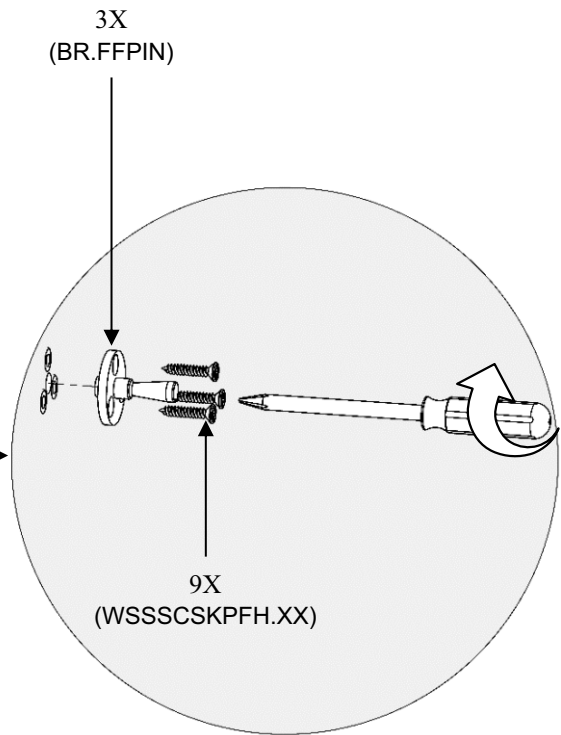
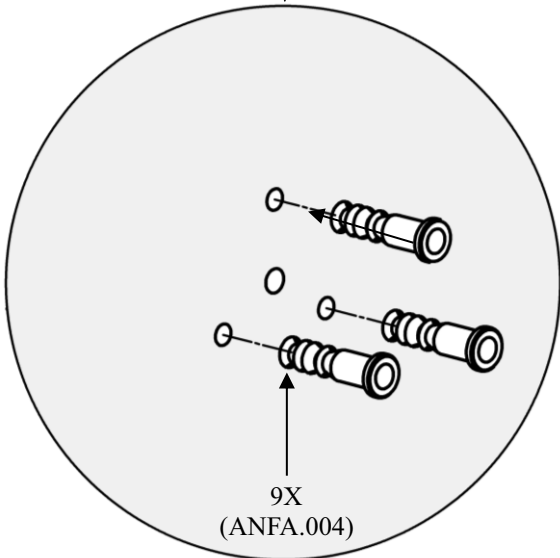
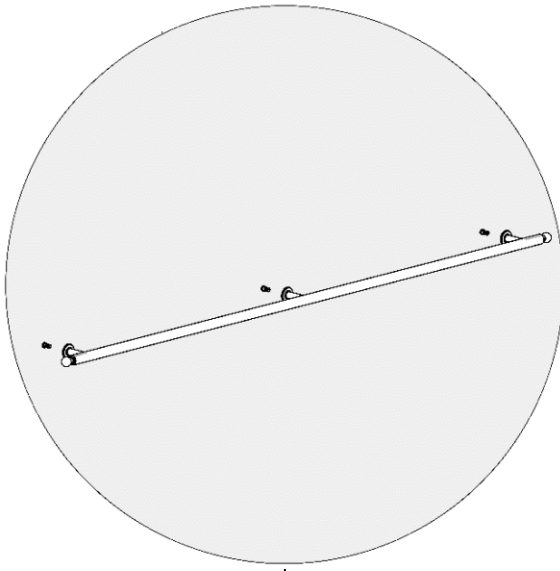
STEP-3



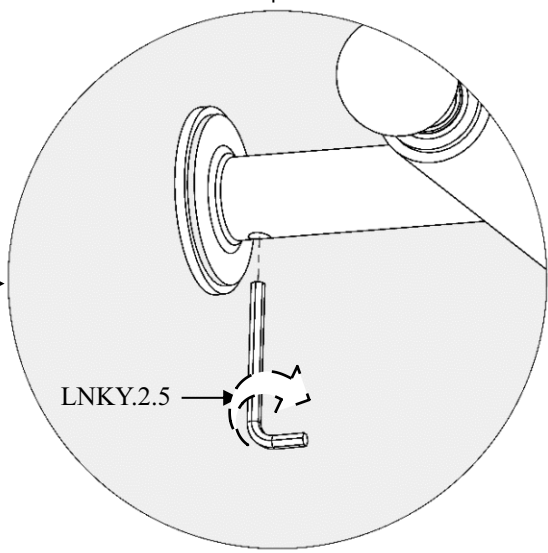
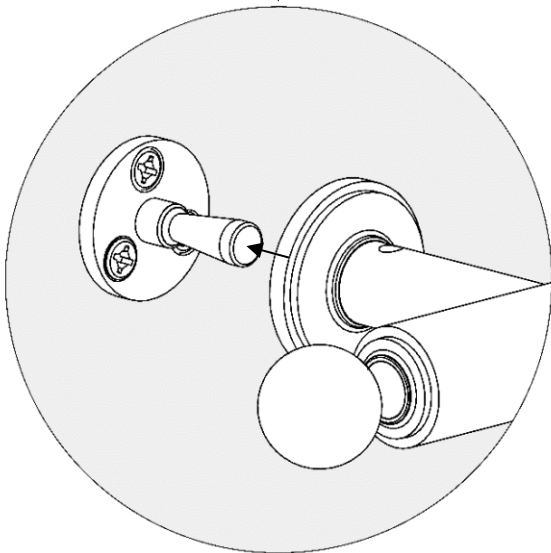
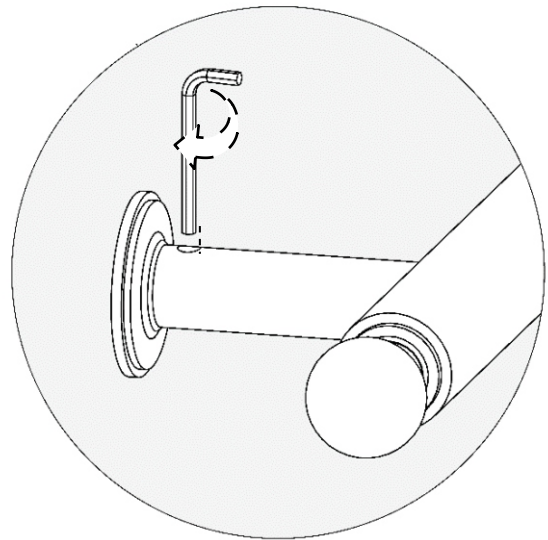
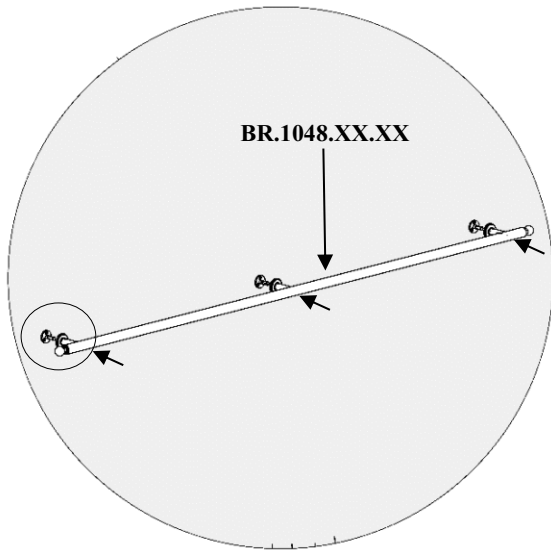
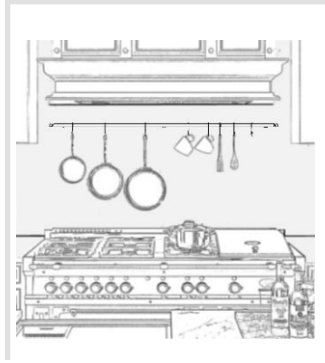
Drill $\text{\O} 5\text{mm}$ \downarrow 34mm

Drill $\text{\O} 3/16''$ \downarrow 1-5/16''

STEP-4



STEP-5



STEP-1

