



Silicon Bronze Light (Finish ID:53)

THE DOME BACK TO BACK DOOR KNOB

	Item Code	Size (mm & Inches)	Material	Size (Inches)				Fig.
				A	B	C	D	
1	DDKNB.881.3.75".XX.XXX.XXXX	95.25mm (3.75")	Brass	2.2	3.75	N/A	N/A	1
2	DDKNB.881.3.75".XX.XXX.XXXX	95.25mm (3.75")	Bronze	2.2	3.75	N/A	N/A	1

"XX" in item code denotes Finish ID.
 "XXX" in item code denotes Door Thickness.
 "XXXX" in item code denotes Door Material.

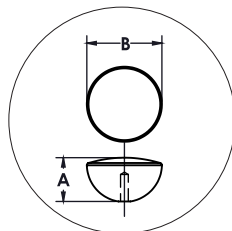


FIG. 1

This product is Supplied with Mounting Kit including with the Order.

How to Order

DDKNB.881.3.75".53.WOOD.1 3/4"



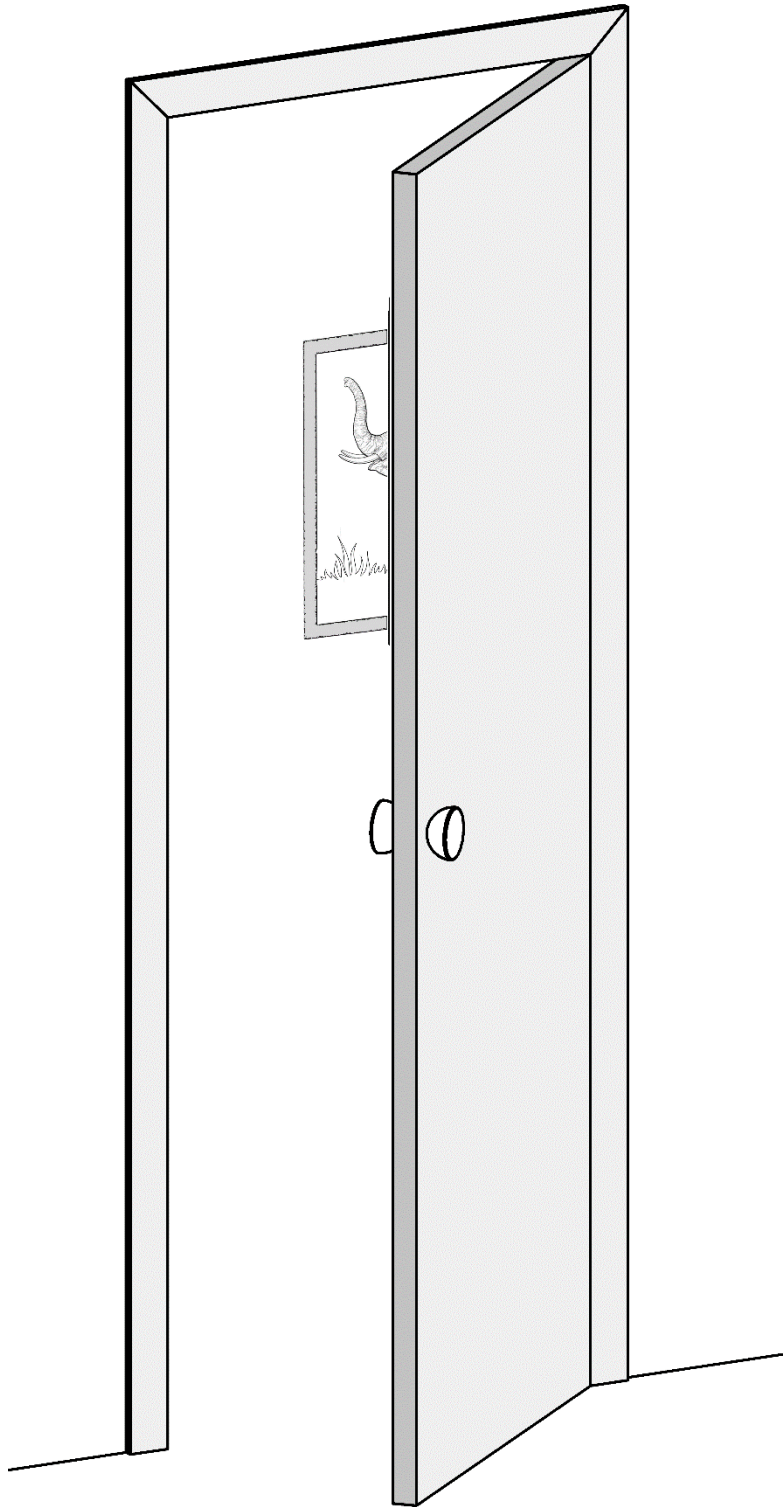
The Dome Back To Back Door Knob Finish Options

Base Material : Brass	Standard Finishes (2-3 Weeks Delivery)						
<table style="width: 100%; text-align: center; font-size: small;"> <tr> <td>Bright Chrome (Finish ID:2)</td> <td>Brush Nickel (Finish ID:3)</td> <td>Aged Brass (Finish ID:4)</td> <td>Unlacquered Polished Brass (Finish ID:7U)</td> <td>Polished Nickel (Finish ID:8)</td> <td>Satin Brass (Finish ID:13)</td> </tr> </table>		Bright Chrome (Finish ID:2)	Brush Nickel (Finish ID:3)	Aged Brass (Finish ID:4)	Unlacquered Polished Brass (Finish ID:7U)	Polished Nickel (Finish ID:8)	Satin Brass (Finish ID:13)
Bright Chrome (Finish ID:2)	Brush Nickel (Finish ID:3)	Aged Brass (Finish ID:4)	Unlacquered Polished Brass (Finish ID:7U)	Polished Nickel (Finish ID:8)	Satin Brass (Finish ID:13)		
Base Material : Brass	Custom Finishes (3-4 Weeks Delivery)*						
<table style="width: 100%; text-align: center; font-size: small;"> <tr> <td>Lacquered Polished Brass (Finish ID:7L)</td> <td>Matte Black (Finish ID:19)</td> <td>Graphite (Finish ID:61)</td> <td>Titanium (Finish ID:79)</td> <td>Ombre (Finish ID:92)</td> <td>Brush Chrome (Finish ID:95)</td> </tr> </table>		Lacquered Polished Brass (Finish ID:7L)	Matte Black (Finish ID:19)	Graphite (Finish ID:61)	Titanium (Finish ID:79)	Ombre (Finish ID:92)	Brush Chrome (Finish ID:95)
Lacquered Polished Brass (Finish ID:7L)	Matte Black (Finish ID:19)	Graphite (Finish ID:61)	Titanium (Finish ID:79)	Ombre (Finish ID:92)	Brush Chrome (Finish ID:95)		
Base Material : Bronze	Custom Finishes (3-4 Weeks Delivery)*						
<table style="width: 100%; text-align: center; font-size: small;"> <tr> <td>Silicon Bronze Light (Finish ID:53)</td> <td>Silicon Bronze Dark (Finish ID:53D)</td> <td>White Bronze (Finish ID:54)</td> </tr> </table>		Silicon Bronze Light (Finish ID:53)	Silicon Bronze Dark (Finish ID:53D)	White Bronze (Finish ID:54)			
Silicon Bronze Light (Finish ID:53)	Silicon Bronze Dark (Finish ID:53D)	White Bronze (Finish ID:54)					

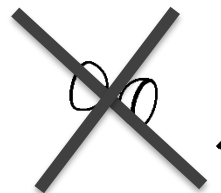
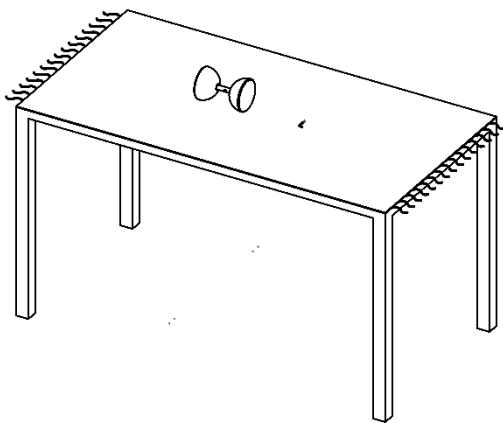
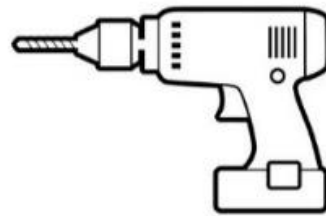
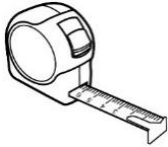
Door Material	Door Thickness
1. Wood	5/16", 3/8", 1/2", 3/4", 1", 1 1/4", 1 1/2", 1 3/4", 2", 2 1/4", 2 1/2"
2. Metal	5/16", 3/8", 1/2", 3/4", 1", 1 1/4", 1 1/2", 1 3/4", 2", 2 1/4", 2 1/2"
3. Glass	5/16", 3/8", 1/2", 3/4", 1"

- Custom finishes cannot be returned or refunded. We are unable to accept cancellations for custom finish order unless within 48 hours of the order being placed.
- We have uniform pricing for all non-hammered finishes listed above as long as base material and size is same.
- Contact us for customized finishes, refer pages F1, F2, F3 & F4 for finish glossary.

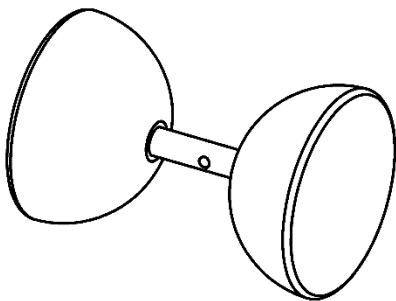
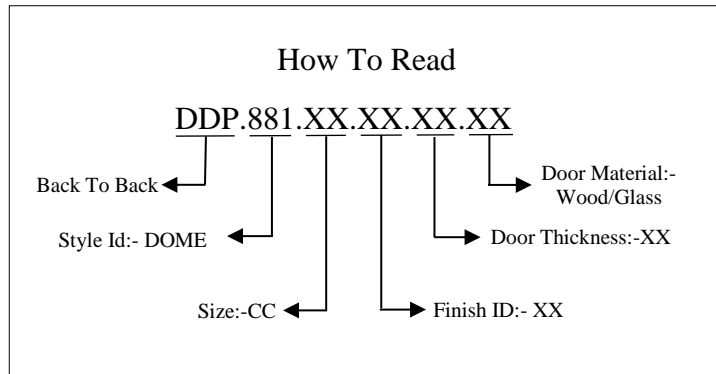
BACK TO BACK HANDLE ILLUSTRATED



Required Tools



Step Wise Packing List			
S No	Part Number	Qty	Steps
1	DDP.881.XX.XX.XX.XX	1x	1
2	LNKY2.5	1x	1
3	Manual	1x	-



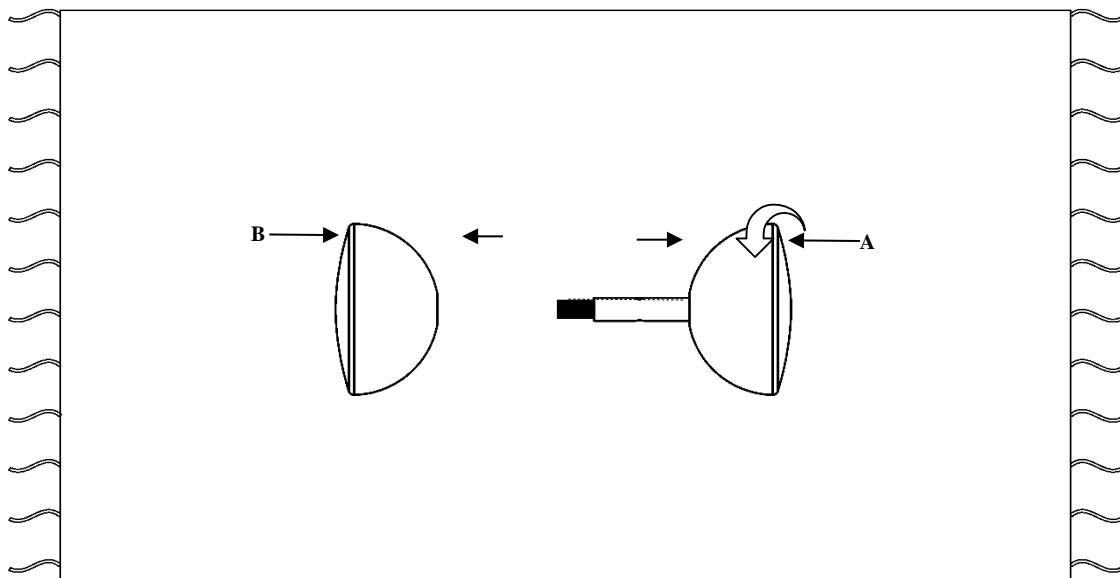
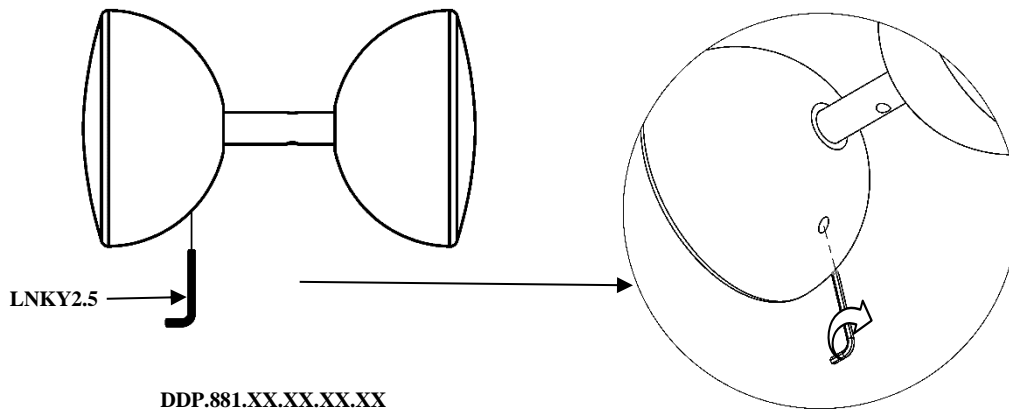
DDP.881.XX.XX.XX.XX



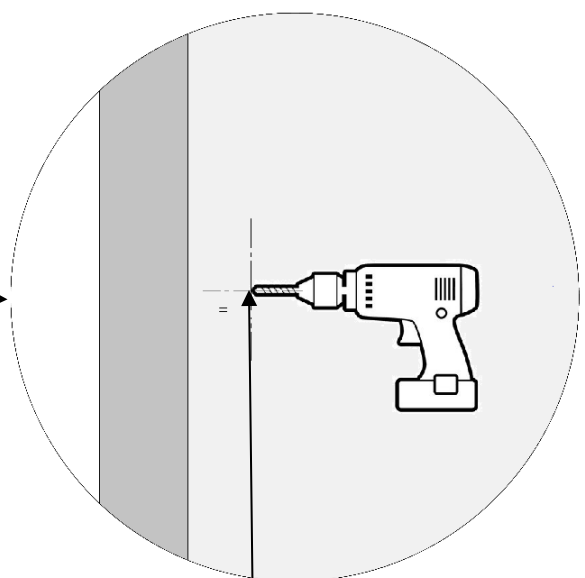
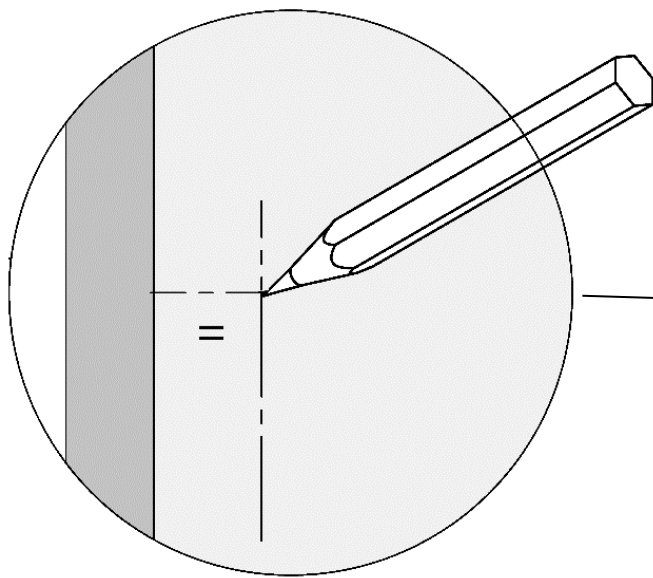
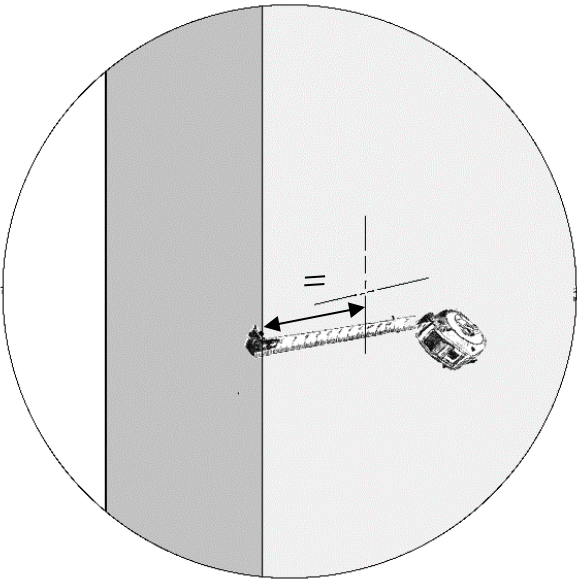
LNKY2.5

STEP-1

Step Wise Packing List			
S No	Part Number	Qty	Steps
1	DDP.881.XX.XX.XX.XX	1x	1
2	LNKY2.5	1x	1

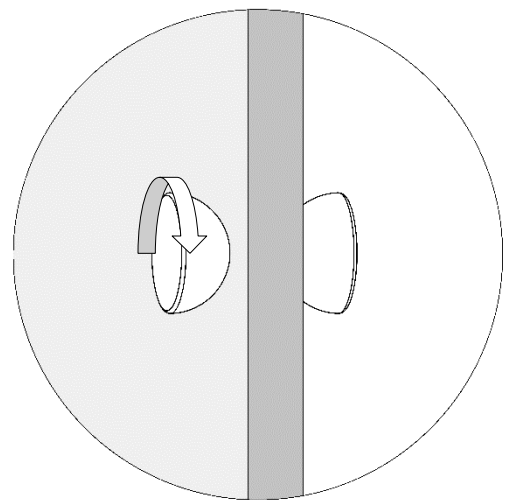
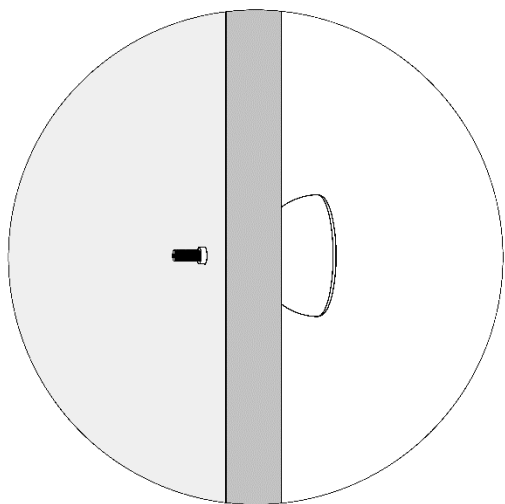
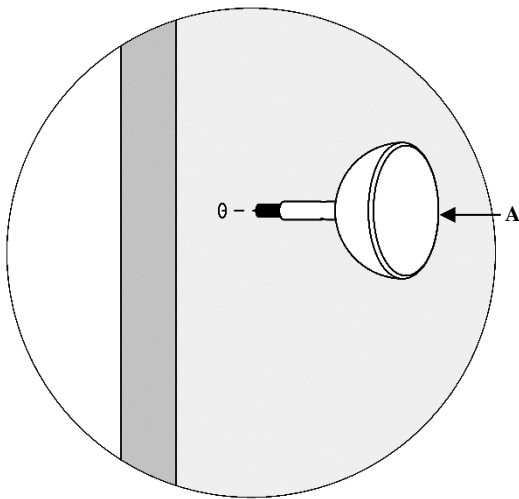
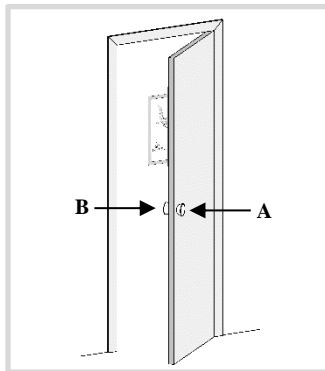


STEP-2



Drill Ø 13 mm	+0.40
	-0.00
1/2"	+1/64"
	-0.00

STEP-3



STEP-5

