



Oil Rubbed Bronze (Finish ID:5)

LANCASTER BACK TO BACK DOOR PULL

Item Code	Size (mm & Inches)	Material	Size (Inches)				Fig.
			A	B	C	D	
1 DDP.845.12".XX.XXX.XXXX	304.8mm (12")	Brass	12	0.94	12	2.01	1

"XX" in item code denotes Finish ID.
 "XXX" in item code denotes Door Thickness.
 "XXXX" in item code denotes Door Material.

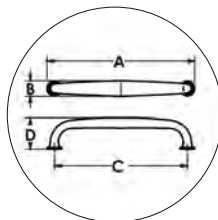


FIG. 1

This product is Supplied with Mounting Kit including with the Order.

How to Order

DDP.845.12".5.WOOD.1 3/4"



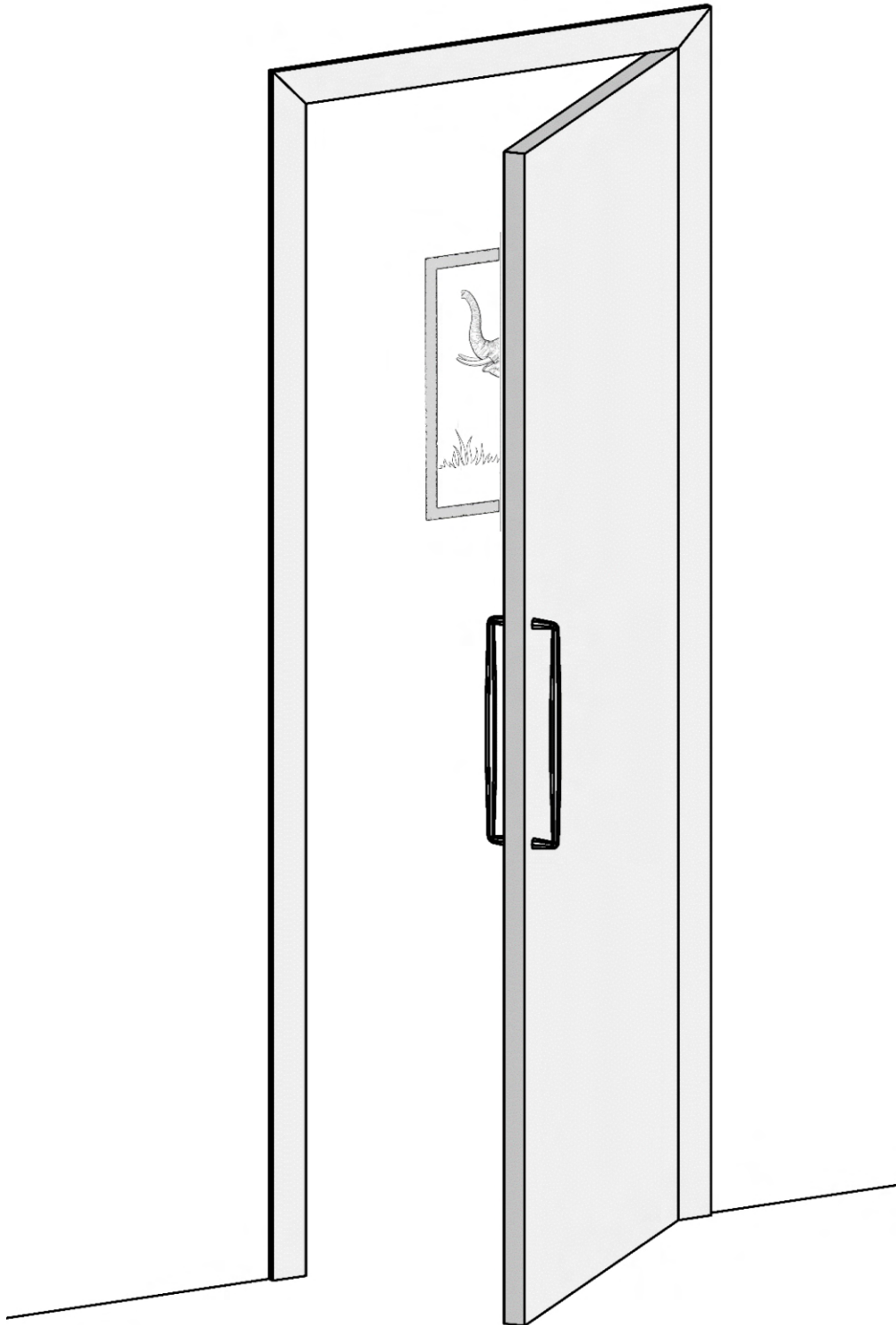
Lancaster Back To Back Door Pull Finish Options

Base Material : Brass	Standard Finishes (2-3 Weeks Delivery)
<div style="display: flex; justify-content: space-around; align-items: center;"> <div style="text-align: center;"> Bright Chrome (Finish ID:2)</div> <div style="text-align: center;"> Brush Nickel (Finish ID:3)</div> <div style="text-align: center;"> Aged Brass (Finish ID:4)</div> <div style="text-align: center;"> Unlacquered PB (Finish ID:7U)</div> <div style="text-align: center;"> Polished Nickel (Finish ID:8)</div> <div style="text-align: center;"> Satin Brass (Finish ID:13)</div> </div>	
Base Material : Brass	Custom Finishes (3-4 Weeks Delivery)*
<div style="display: flex; justify-content: space-around; align-items: center;"> <div style="text-align: center;"> Lacquered Polished Brass (Finish ID:7L)</div> <div style="text-align: center;"> Matte Black (Finish ID:19)</div> <div style="text-align: center;"> Graphite (Finish ID:61)</div> <div style="text-align: center;"> Ombre (Finish ID:92)</div> <div style="text-align: center;"> Brush Chrome (Finish ID:95)</div> </div>	

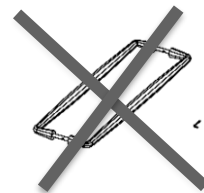
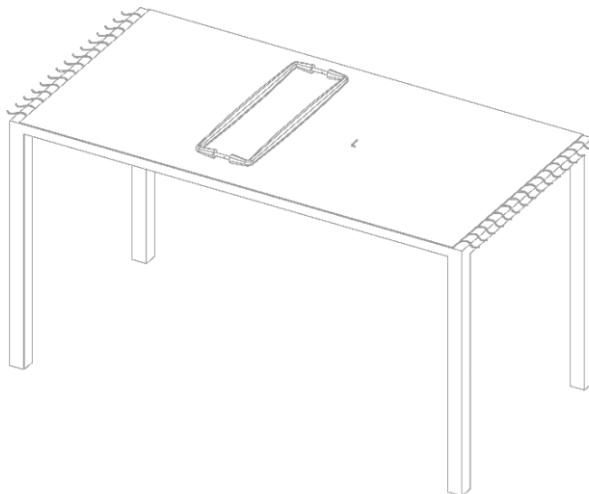
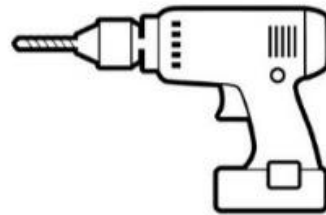
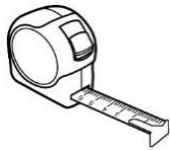
Door Material	Door Thickness
1. Wood	5/16", 3/8", 1/2", 3/4", 1", 1 1/4", 1 1/2", 1 3/4", 2", 2 1/4", 2 1/2"
2. Metal	5/16", 3/8", 1/2", 3/4", 1", 1 1/4", 1 1/2", 1 3/4", 2", 2 1/4", 2 1/2"
3. Glass	5/16", 3/8", 1/2", 3/4", 1"

- Custom finishes cannot be returned or refunded. We are unable to accept cancellations for custom finish order unless within 48 hours of the order being placed.
- We have uniform pricing for all non-hammered finishes listed above as long as base material and size is same.
- Contact us for customized finishes, refer pages F1, F2, F3 & F4 for finish glossary.

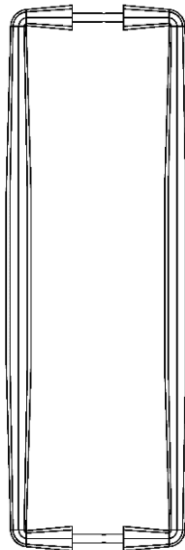
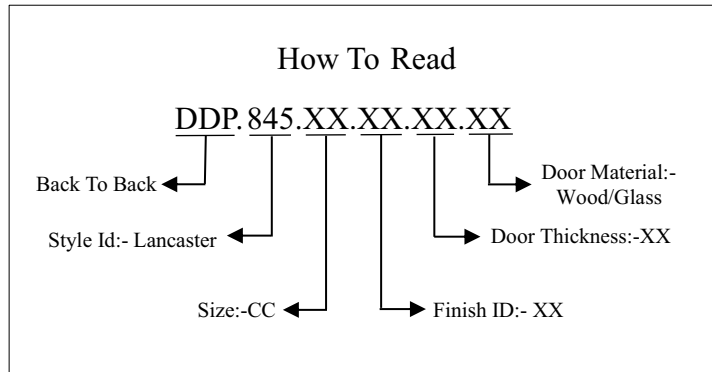
BACK TO BACK HANDLE ILLUSTRATED



Required Tools



Step Wise Packing List			
S No	Part Number	Qty	Steps
1	DDP.845.XX.XX.XX.XX	1x	1
2	LNKY2.5	1x	1
3	Manual	1x	-



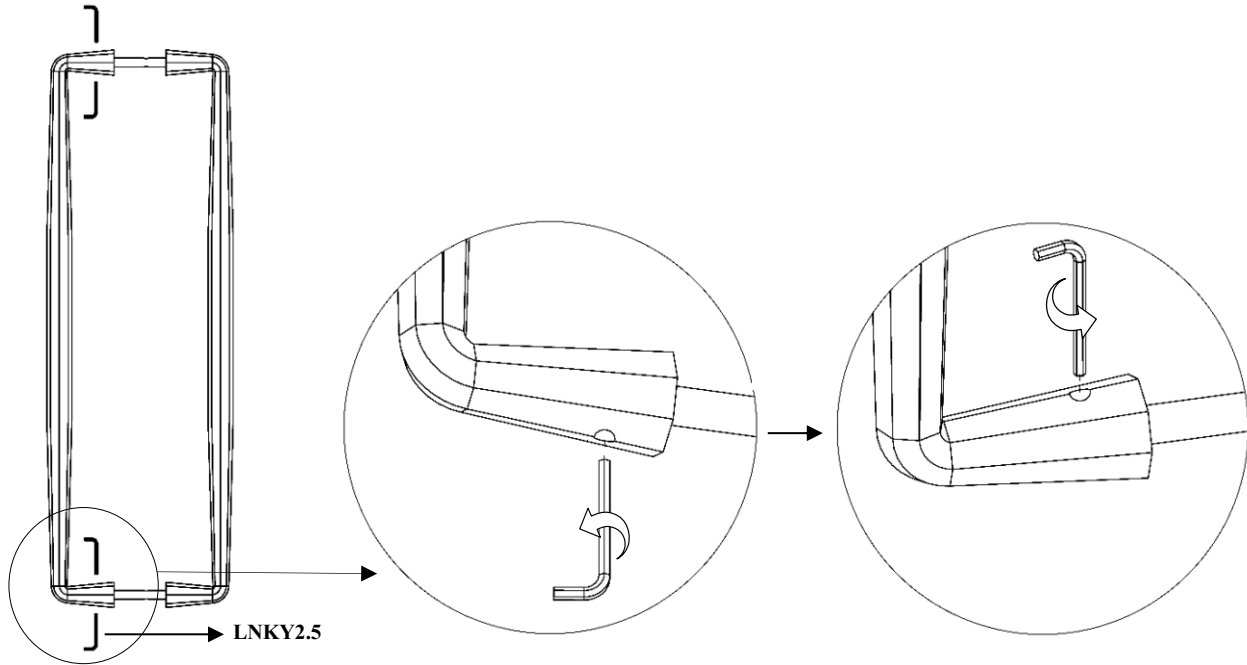
DDP.845.XX.XX.XX.XX



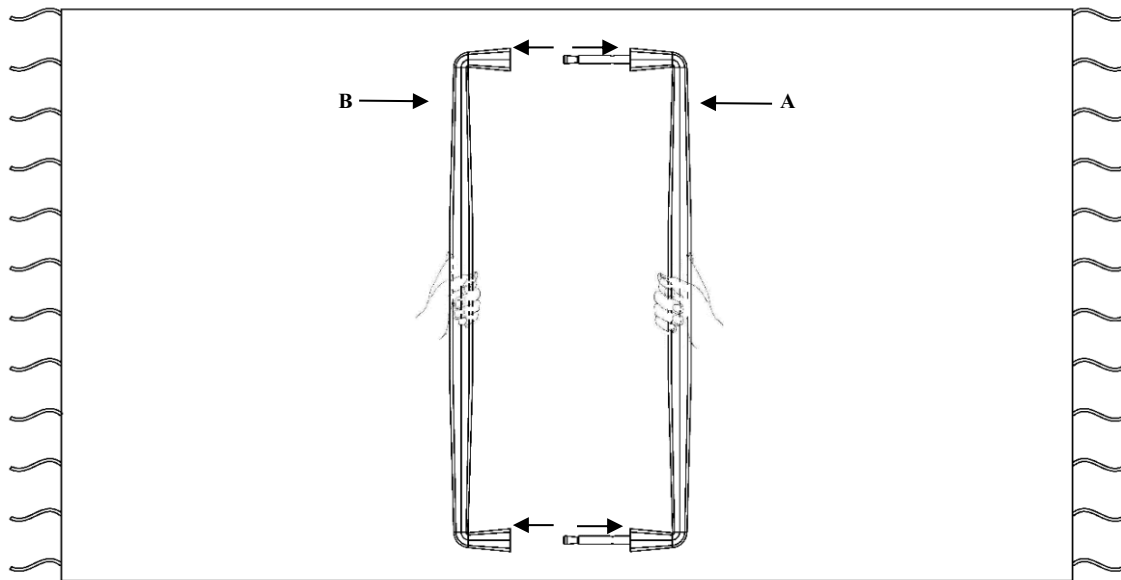
LNKY2.5

STEP-1

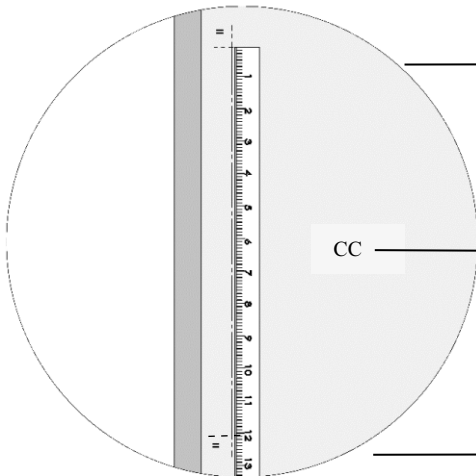
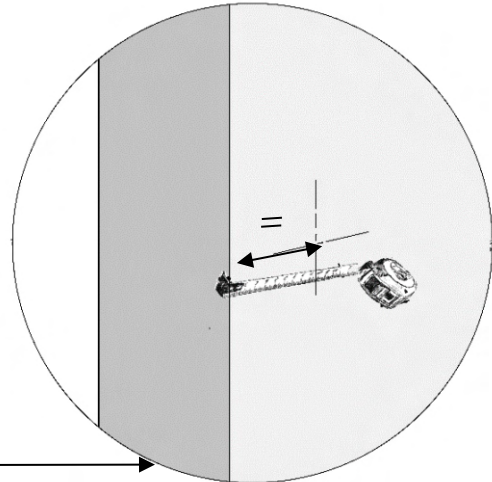
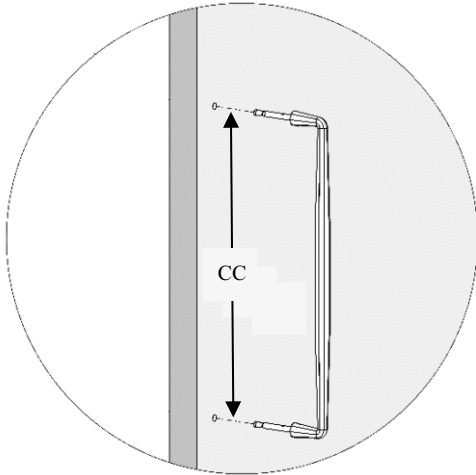
Step Wise Packing List			
S No	Part Number	Qty	Steps
1	DDP.845.XX.XX.XX.XX	1x	1
2	LNKY2.5	1x	1



DDP.845.XX.XX.XX.XX



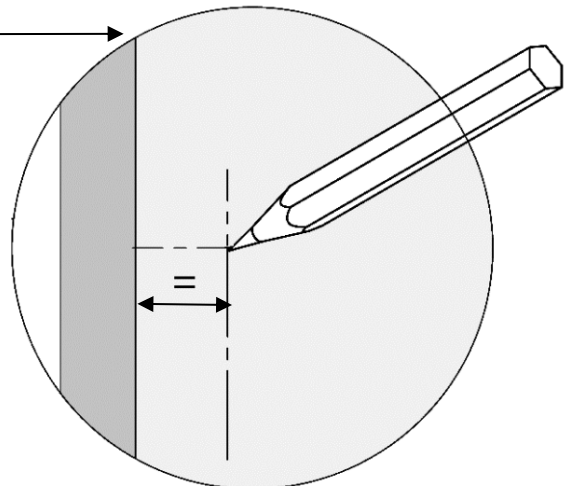
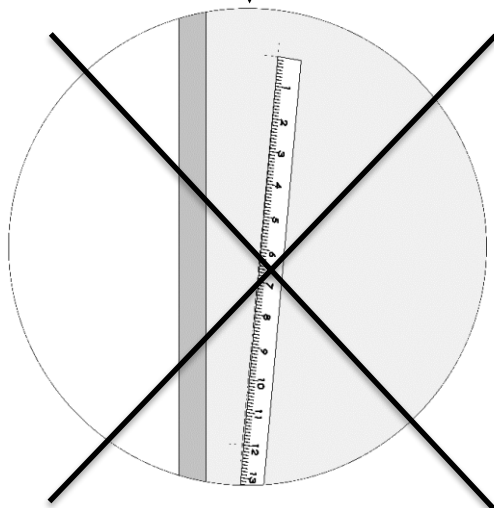
STEP-2



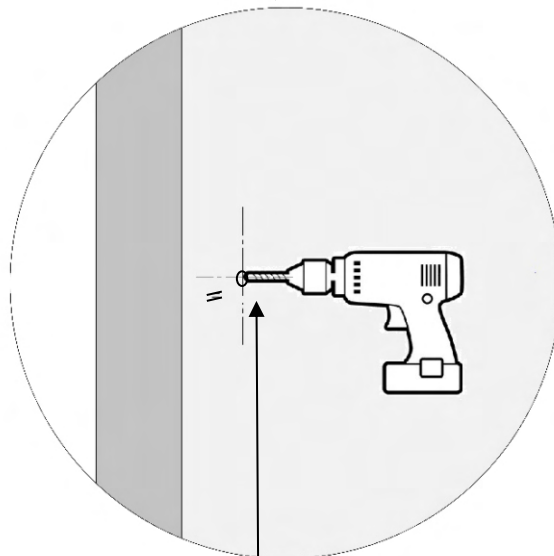
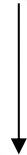
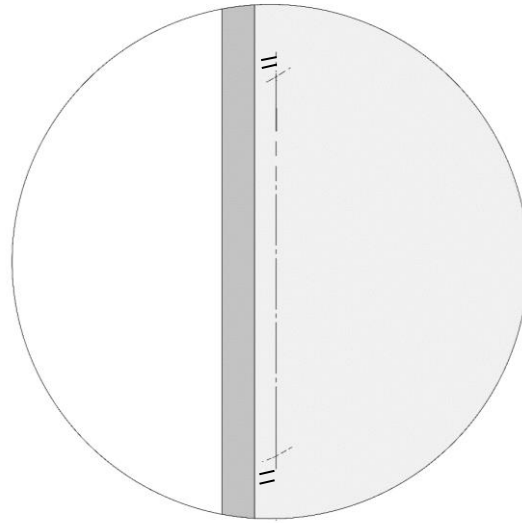
DDP.845.XX.XX.XX.XX

Size:-CC

12"

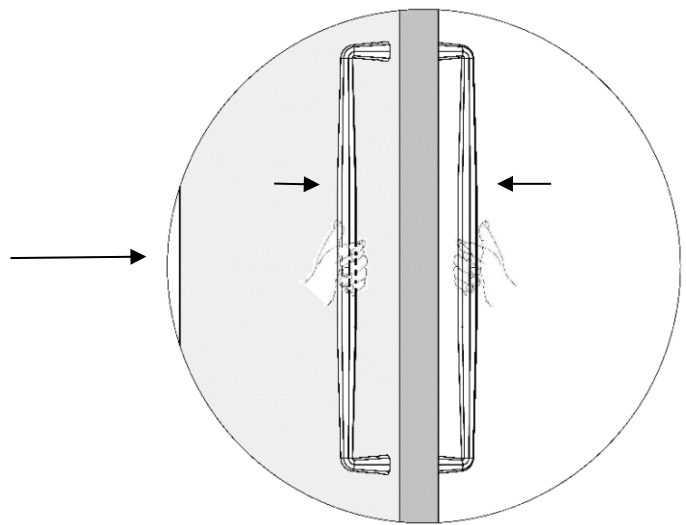
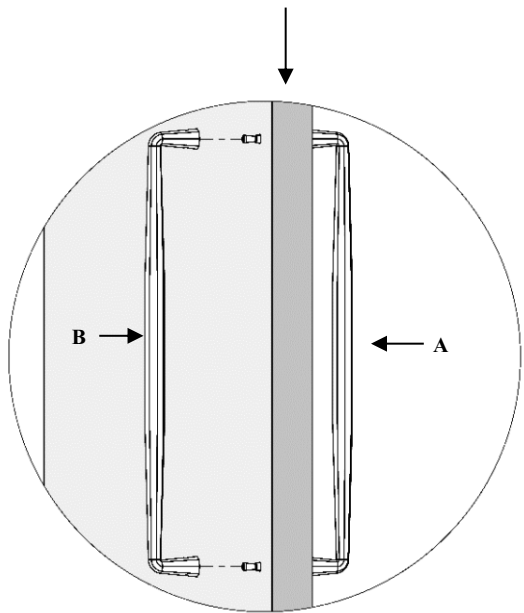
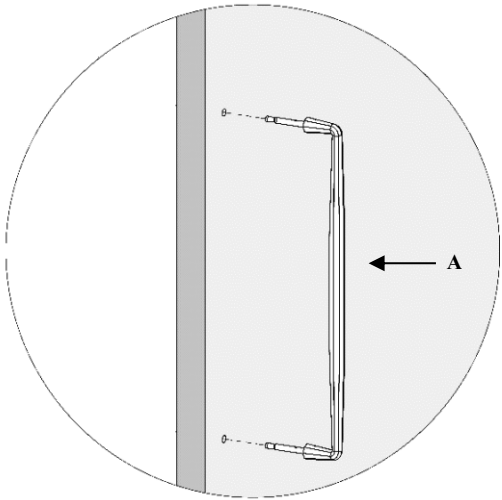
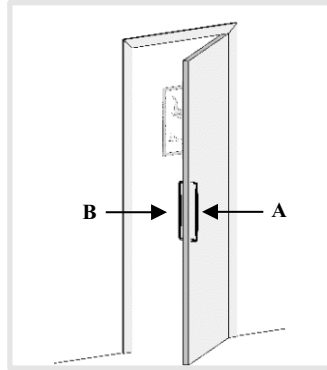


STEP-3



Drill $\varnothing 9.5\text{mm}$ $\frac{+0.40}{-0.00}$
 $\frac{3}{8}''$ $\frac{+1/64''}{-0.00}$

STEP-4



STEP-5

