



Polished Nickel (Finish ID:8)

BURBRIDGE BACK TO BACK DOOR PULL

Our Burbridge handle is an uplifting Art Deco design with beautifully crafted tapered facets that reflect the surroundings.

	Item Code	Size (mm & Inches)	Material	Size (Inches)				Fig.
				A	B	C	D	
1	DDP.652.12".XX.XXX.XXXX	304.8mm (12")	Brass	12.85	0.85	12	2.27	1
2	DDP.652.18".XX.XXX.XXXX	457.2mm (18")	Brass	18.85	0.85	18	2.27	1
3	DDP.652.12".XX.XXX.XXXX	304.8mm (12")	Bronze	12.85	0.85	12	2.27	1
4	DDP.652.18".XX.XXX.XXXX	457.2mm (18")	Bronze	18.85	0.85	18	2.27	1

"XX" in item code denotes Finish ID.
 "XXX" in item code denotes Door Thickness.
 "XXXX" in item code denotes Door Material.

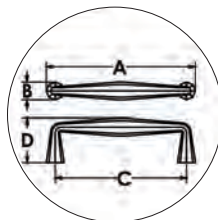
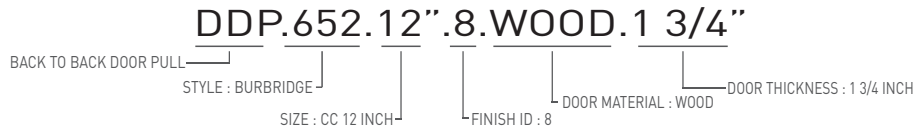


FIG. 1

This product is Supplied with Mounting Kit including with the Order.

How to Order



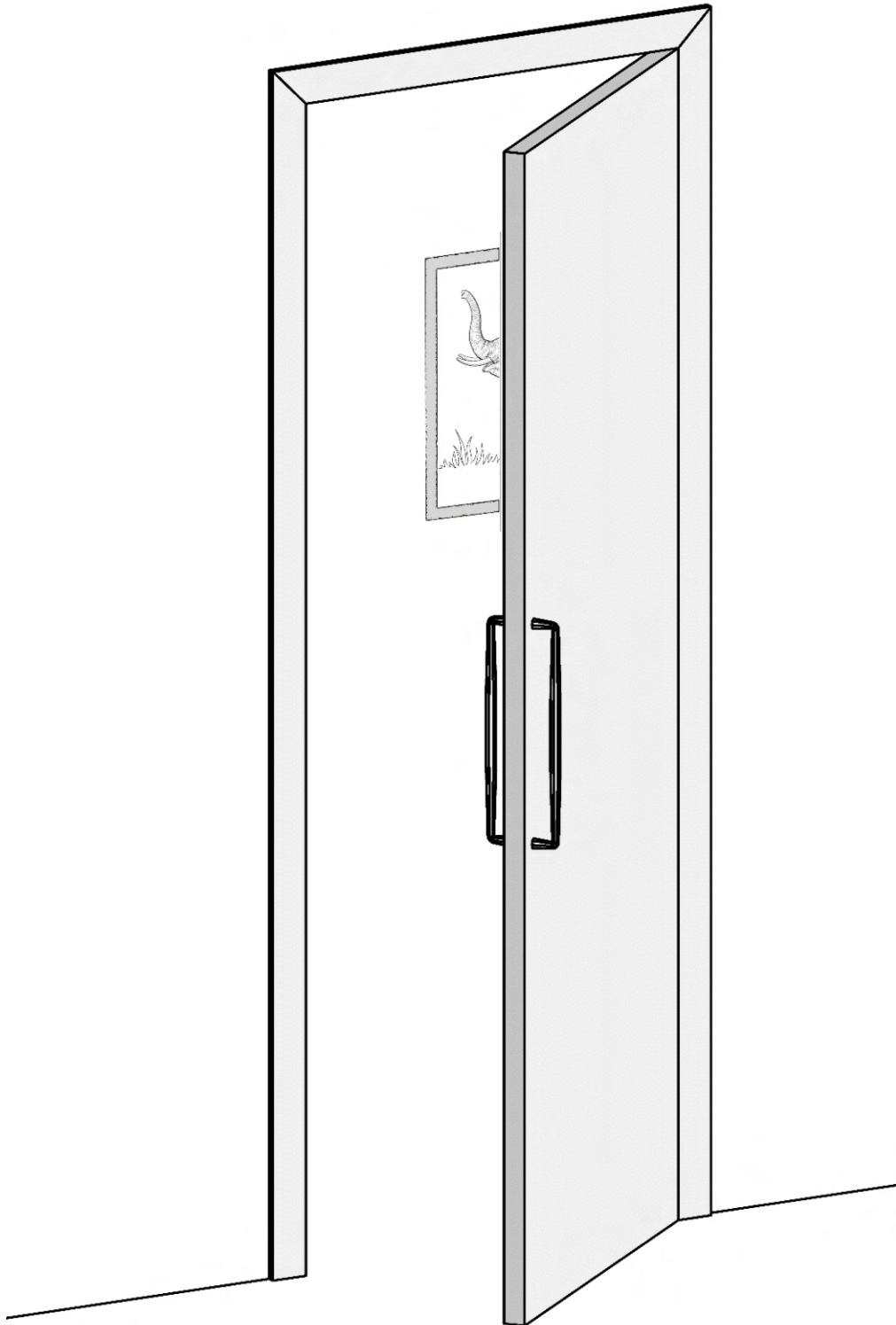
Burbridge Back To Back Door Pull Finish Options

Base Material : Brass	Standard Finishes (2-3 Weeks Delivery)					
						
	Bright Chrome (Finish ID:2)	Brush Nickel (Finish ID:3)	Aged Brass (Finish ID:4)	Unlacquered Polished Brass (Finish ID:7U)	Polished Nickel (Finish ID:8)	Satin Brass (Finish ID:13)
Base Material : Brass	Custom Finishes (3-4 Weeks Delivery)*					
						
	Lacquered Polished Brass (Finish ID:7L)	Matte Black (Finish ID:19)	English Metallic Bronze (Finish ID:51)	Graphite (Finish ID:61)	Brush Chrome (Finish ID:95)	
Base Material : Bronze	Custom Finishes (3-4 Weeks Delivery)*					
						
	Silicon Bronze Light (Finish ID:53)	Silicon Bronze Dark (Finish ID:53D)	White Bronze (Finish ID:54)			

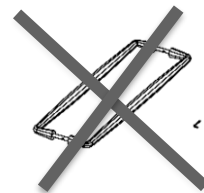
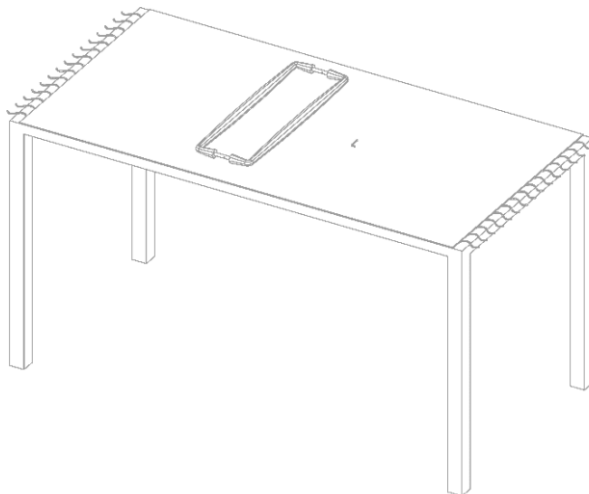
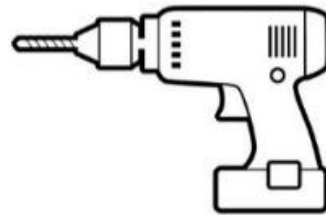
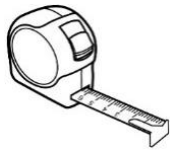
Door Material	Door Thickness
1. Wood	5/16", 3/8", 1/2", 3/4", 1", 1 1/4", 1 1/2", 1 3/4", 2", 2 1/4", 2 1/2"
2. Metal	5/16", 3/8", 1/2", 3/4", 1", 1 1/4", 1 1/2", 1 3/4", 2", 2 1/4", 2 1/2"
3. Glass	5/16", 3/8", 1/2", 3/4", 1"

- Custom finishes cannot be returned or refunded. We are unable to accept cancellations for custom finish order unless within 48 hours of the order being placed.
- We have uniform pricing for all non-hammered finishes listed above as long as base material and size is same.
- Contact us for customized finishes, refer pages F1, F2, F3 & F4 for finish glossary.

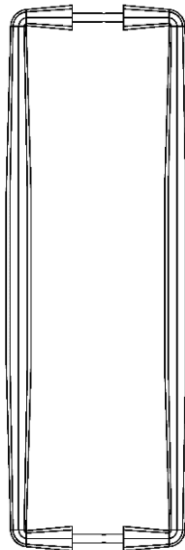
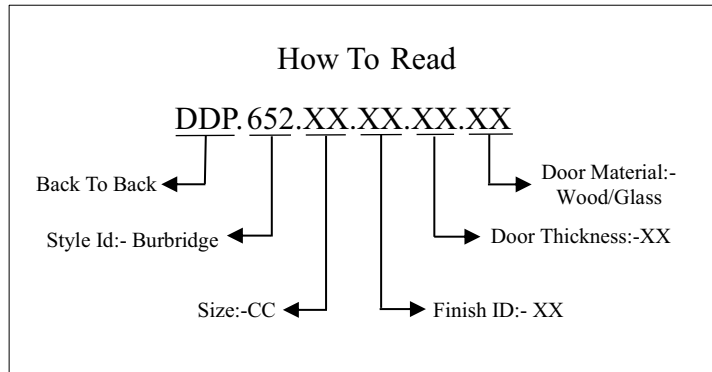
BACK TO BACK HANDLE ILLUSTRATED



Required Tools



Step Wise Packing List			
S No	Part Number	Qty	Steps
1	DDP.652.XX.XX.XX.XX	1x	1
2	LNKY2.5	1x	1
3	Manual	1x	-



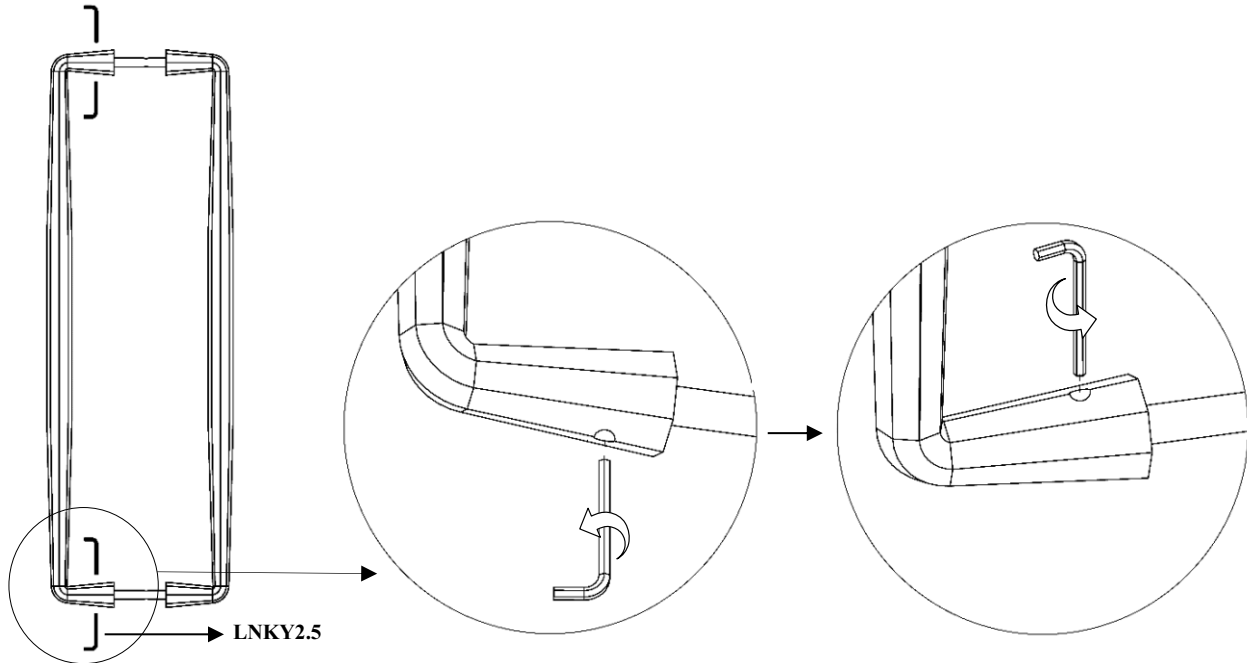
DDP.652.XX.XX.XX.XX



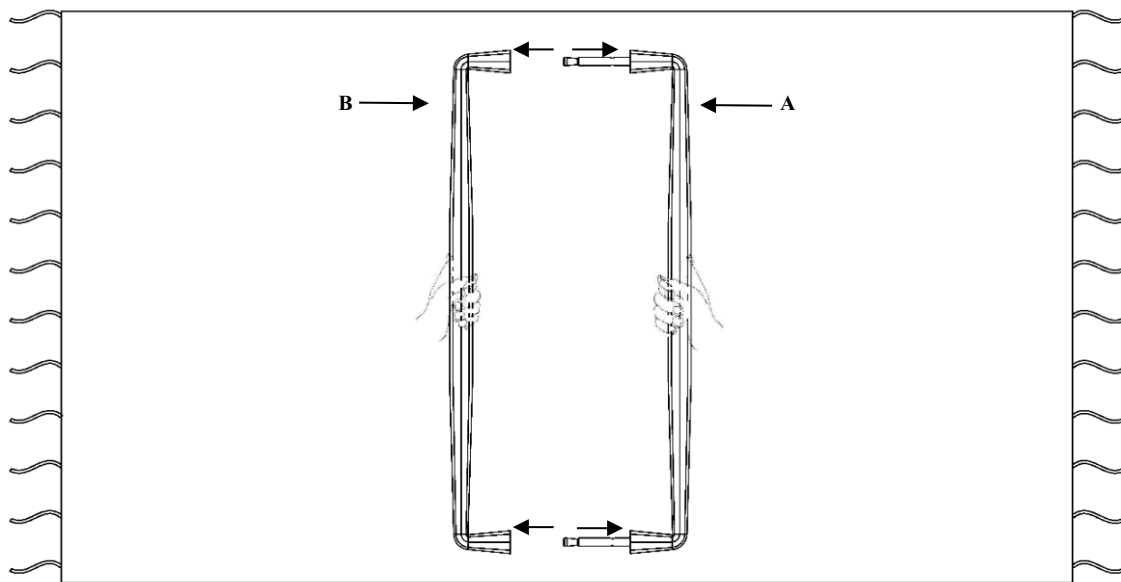
LNKY2.5

STEP-1

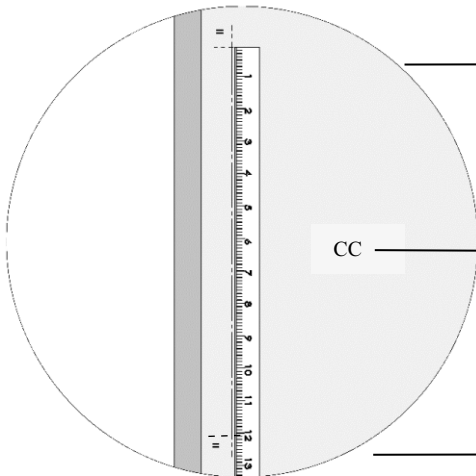
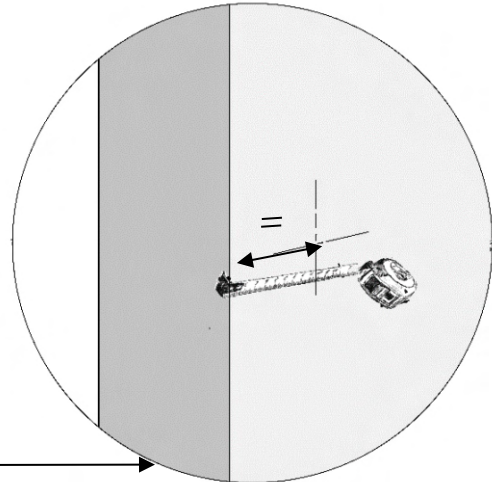
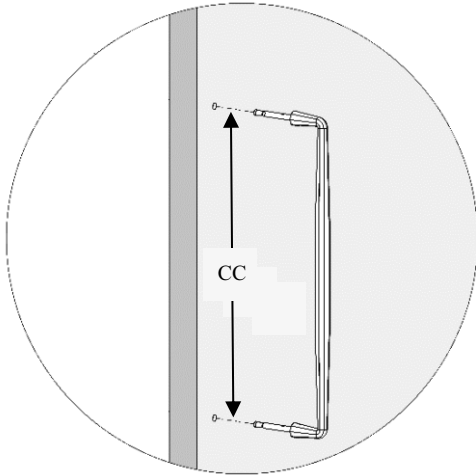
Step Wise Packing List			
S No	Part Number	Qty	Steps
1	DDP.652.XX.XX.XX.XX	1x	1
2	LNKY2.5	1x	1



DDP.652.XX.XX.XX.XX

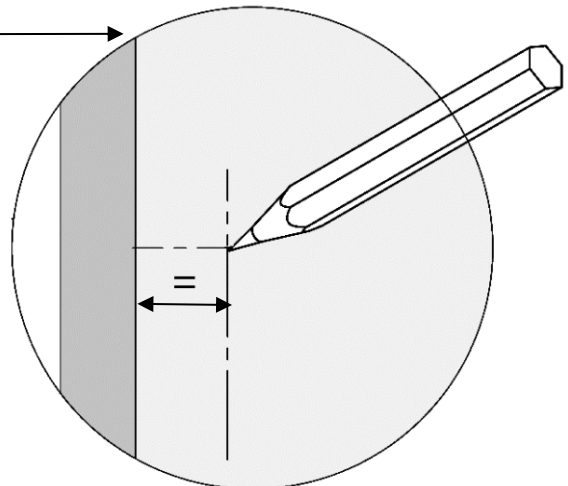
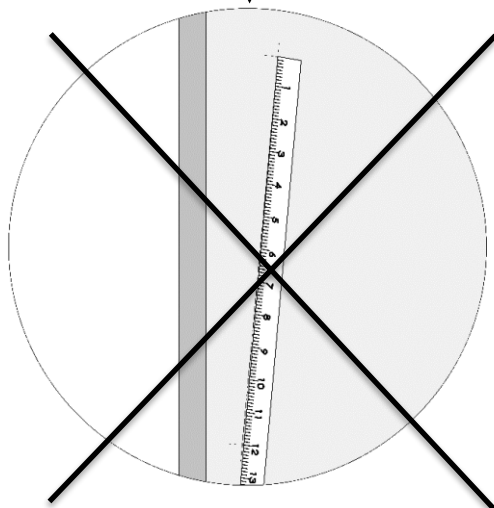


STEP-2

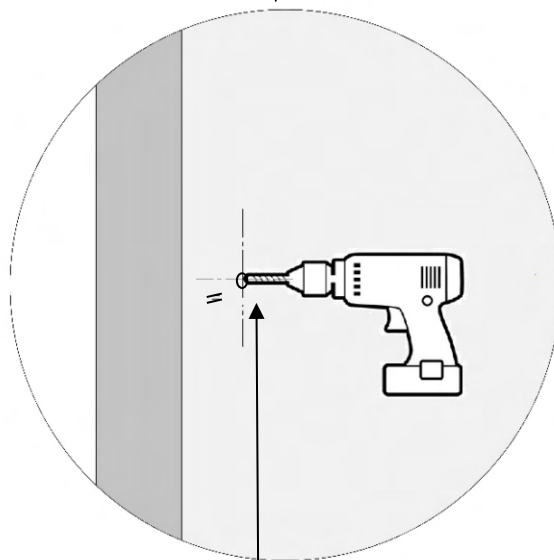
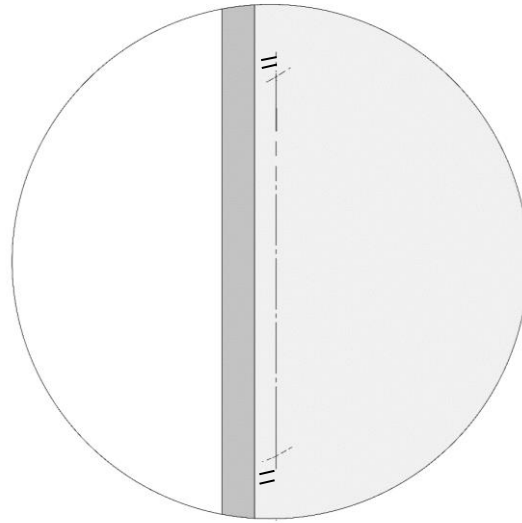


DDP.652.XX.XX.XX.XX

Size:-CC
↓
12"
18"

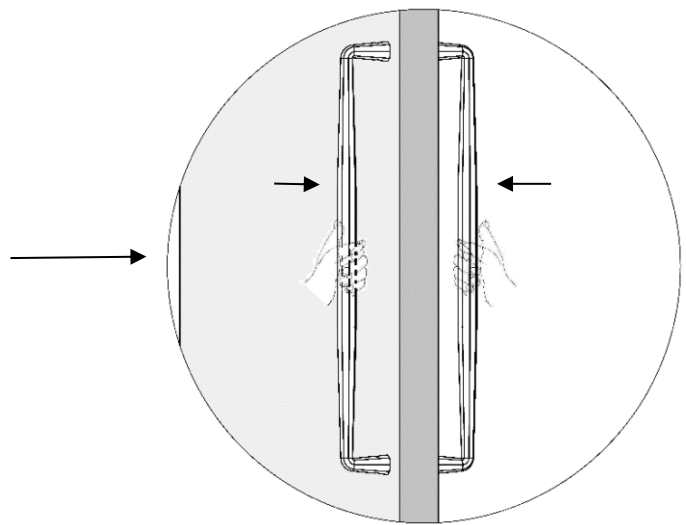
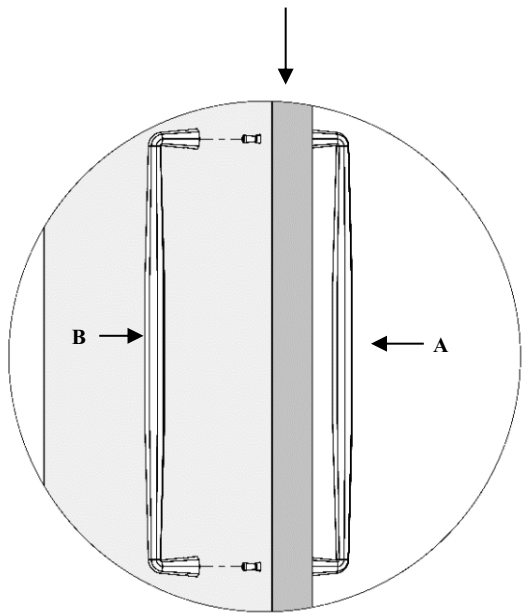
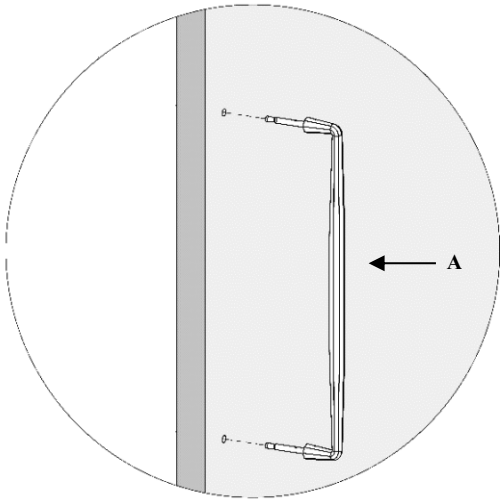
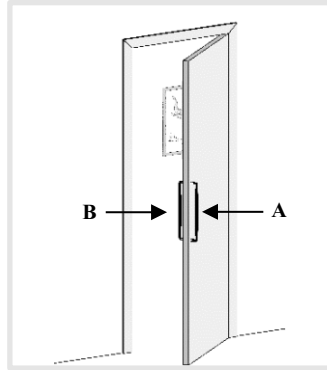


STEP-3



Drill $\text{Ø}9.5\text{mm}$ $\frac{+0.40}{-0.00}$
 $\frac{3}{8}$ " $\frac{+1/64}{-0.00}$

STEP-4



STEP-5

